

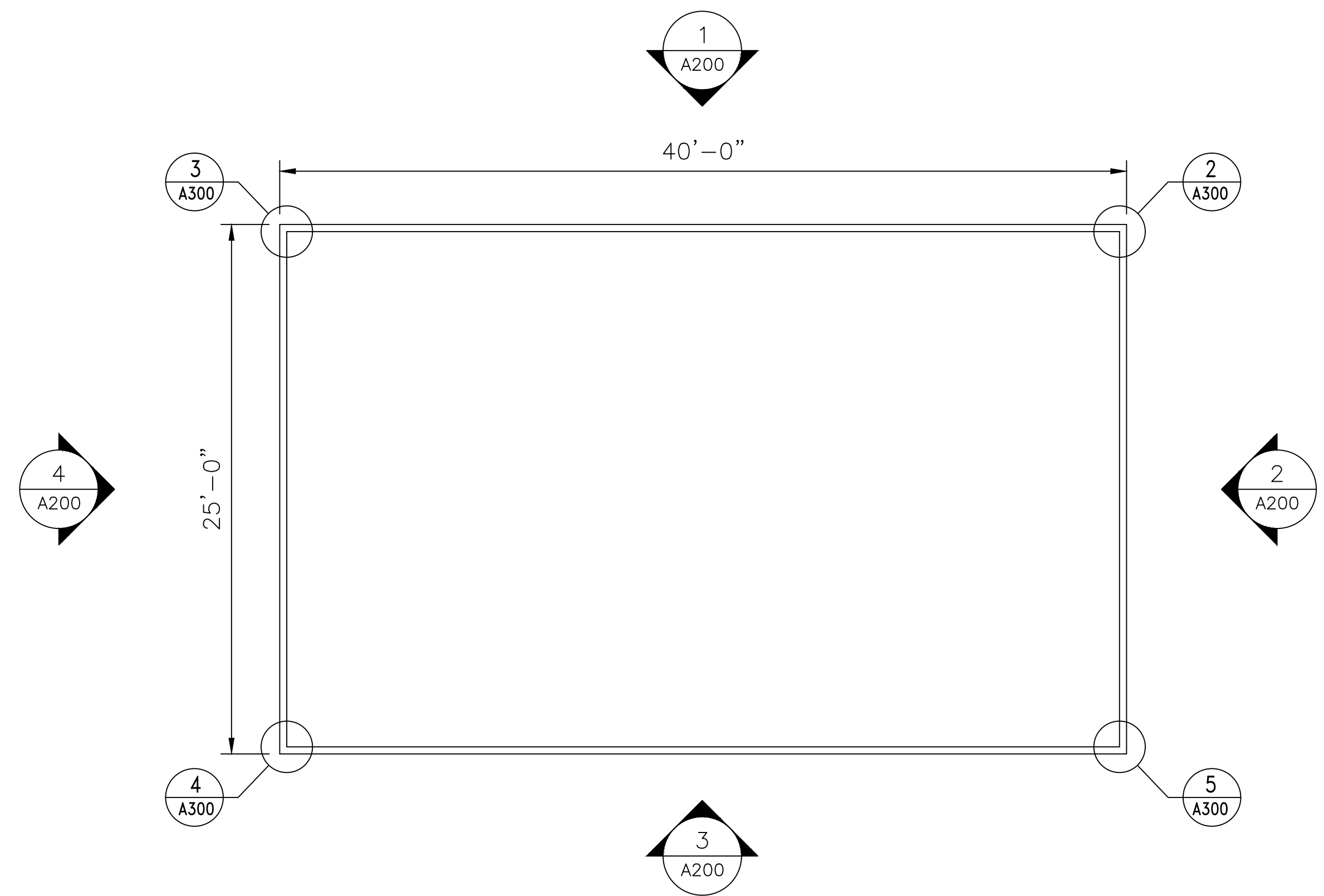
Barr Inc.  
 1423 Planeview Drive  
 Oshkosh, WI 54904  
 920-231-1711 Phone

25' x 40' x 20'-5"  
 Drive-In Freezer

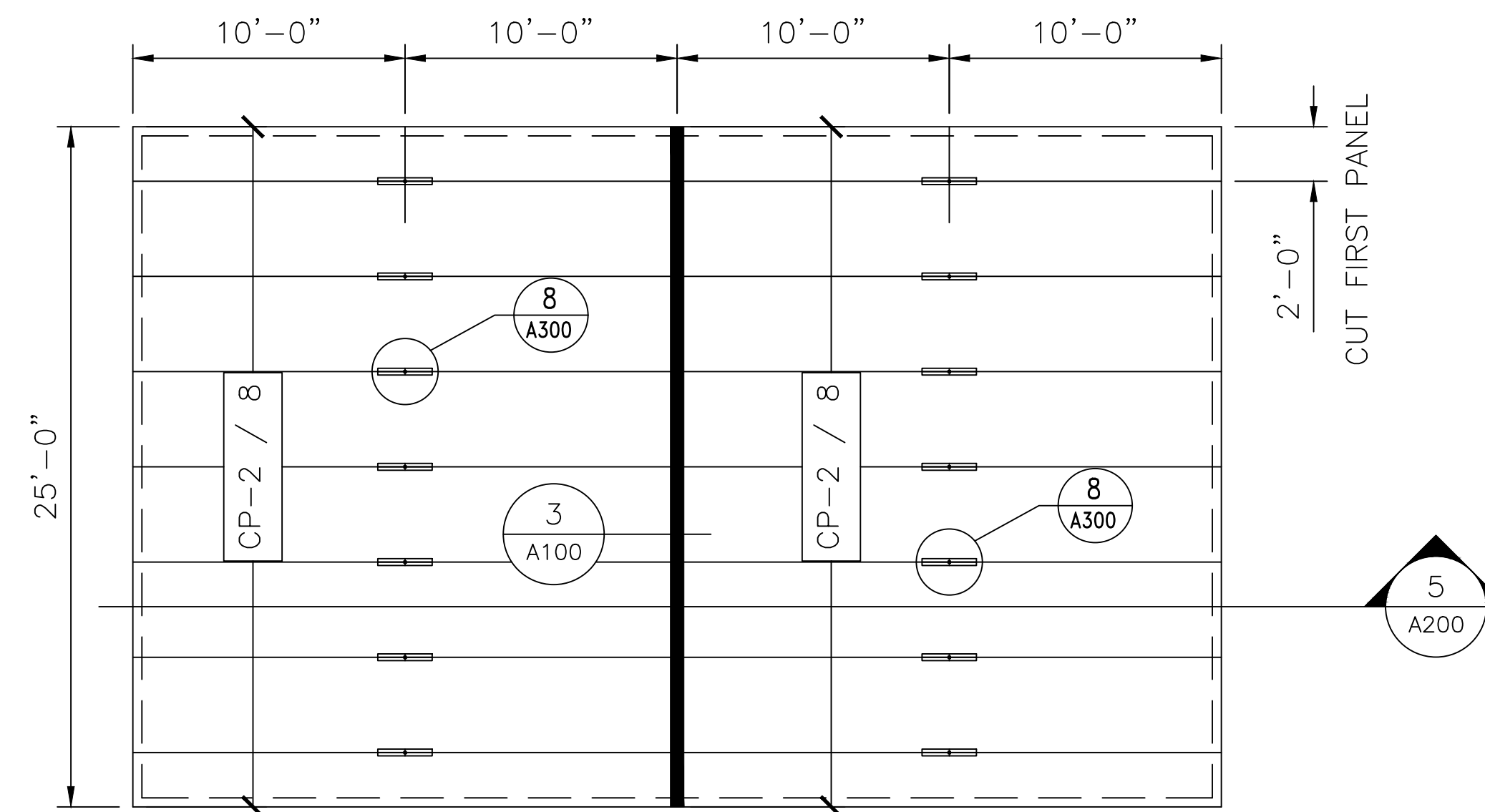
**DRAWING INDEX**

- |      |                                 |
|------|---------------------------------|
| T.1  | TITLE SHEET                     |
| A100 | FLOOR/CEILING PLAN              |
| A200 | INSULATED WALL PANEL ELEVATIONS |
| A300 | INSULATED WALL PANEL DETAILS    |

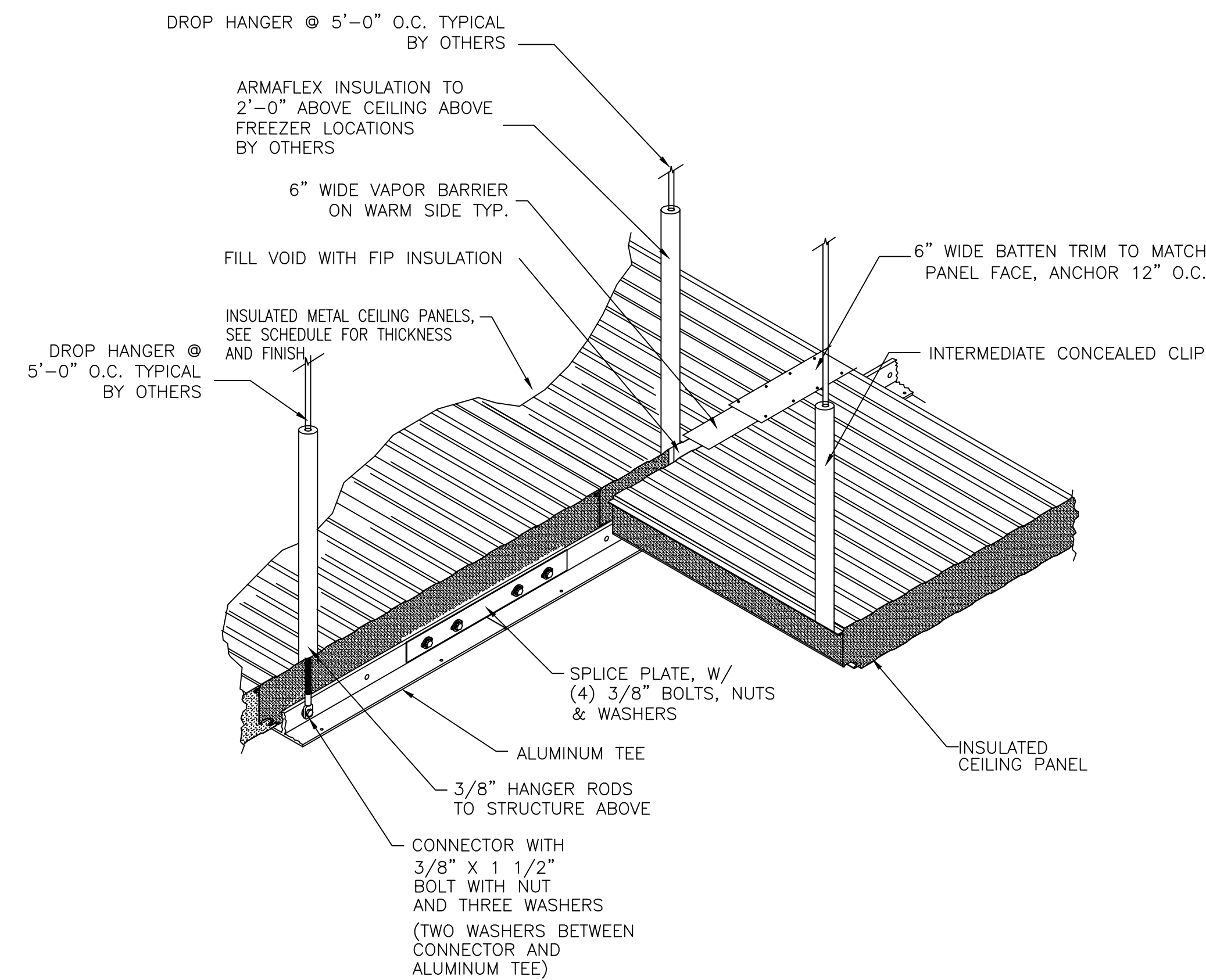
Barr Inc. 1423 Planeview Drive Oshkosh, WI 54904 920-231-1711 Phone	
25' x 40' x 20'-5" Drive-In Freezer	
TOLERANCES UNLESS SPECIFIED FRACTIONAL X/16" ± 1/32" DECIMAL .XX ± .015 .XXX ± .005 .XXXX ± .001 ANGLE X' ± 0'30" X'XX' ± 0'05"	Draftsmen is not responsible for panel heights, wall panel dimensions. Contractor to verify all information.
TITLE	
DR. BY: KRZ	DATE: 8/1/2023
SCALE: NTS	
CHECKED BY:	
SHEET NO. T.1	
REVISION	BY DATE



1 FLOOR PLAN  
A100 SCALE: N.T.S.



2 CEILING PLAN  
A100 SCALE: N.T.S.



3 CEILING TEE DETAIL  
A100 SCALE: N.T.S.

PANEL SCHEDULE

PANEL DESIG.	PANEL HEIGHT	QTY OF PANELS	PANEL THICK	PANEL SERIES	PANEL COLOR
WP-1	20'-0"	40	5"	MESALINE	USDA WHITE
CP-2	20'-0"	16	5"	MESALINE	USDA WHITE

NO.	REVISION	DATE	BY

**Barr Inc.**  
1423 Planeview Drive  
Oshkosh, WI 54904  
920-231-1711 Phone

25' x 40' x 20'-5"  
Drive-In Freezer

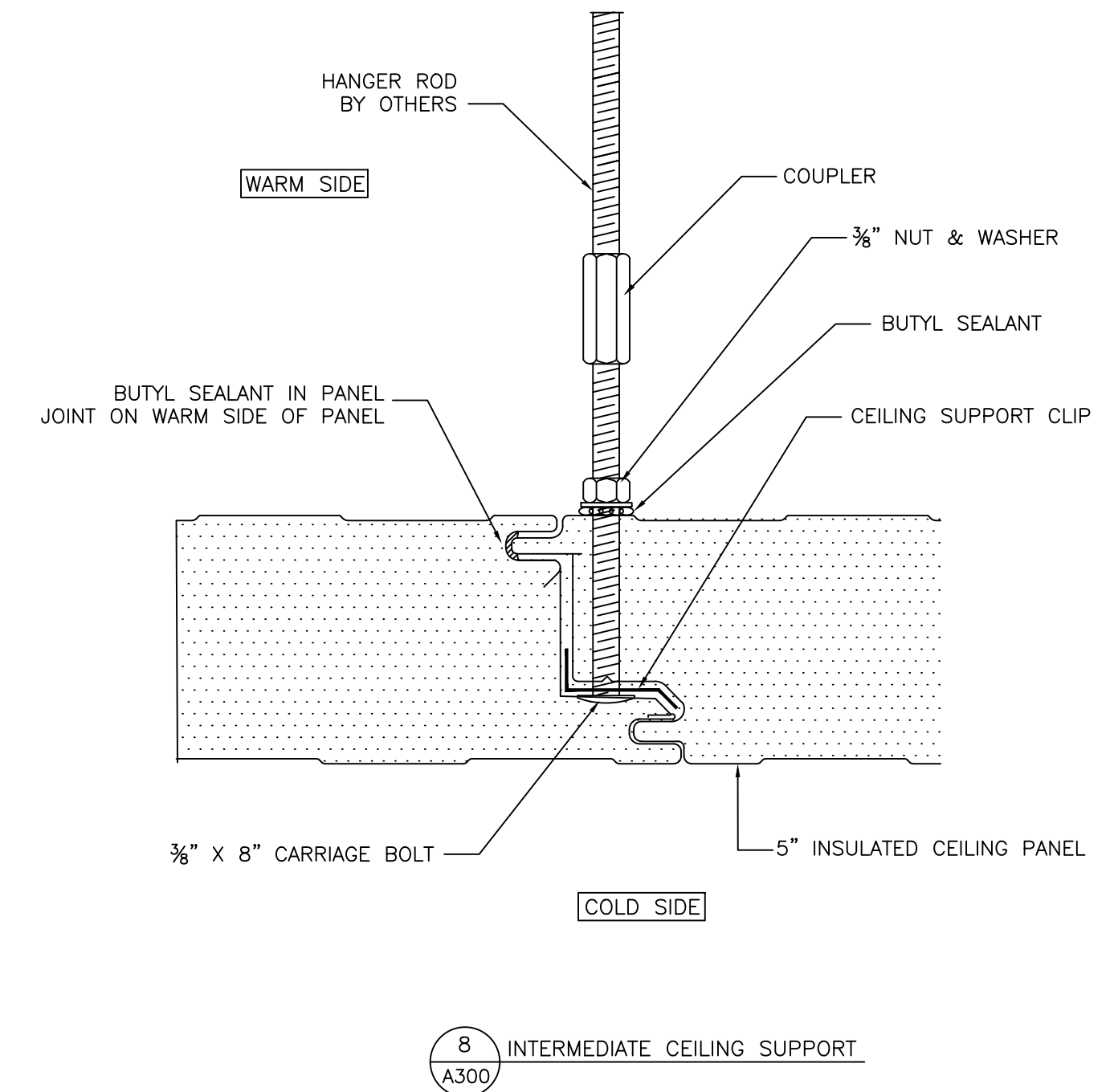
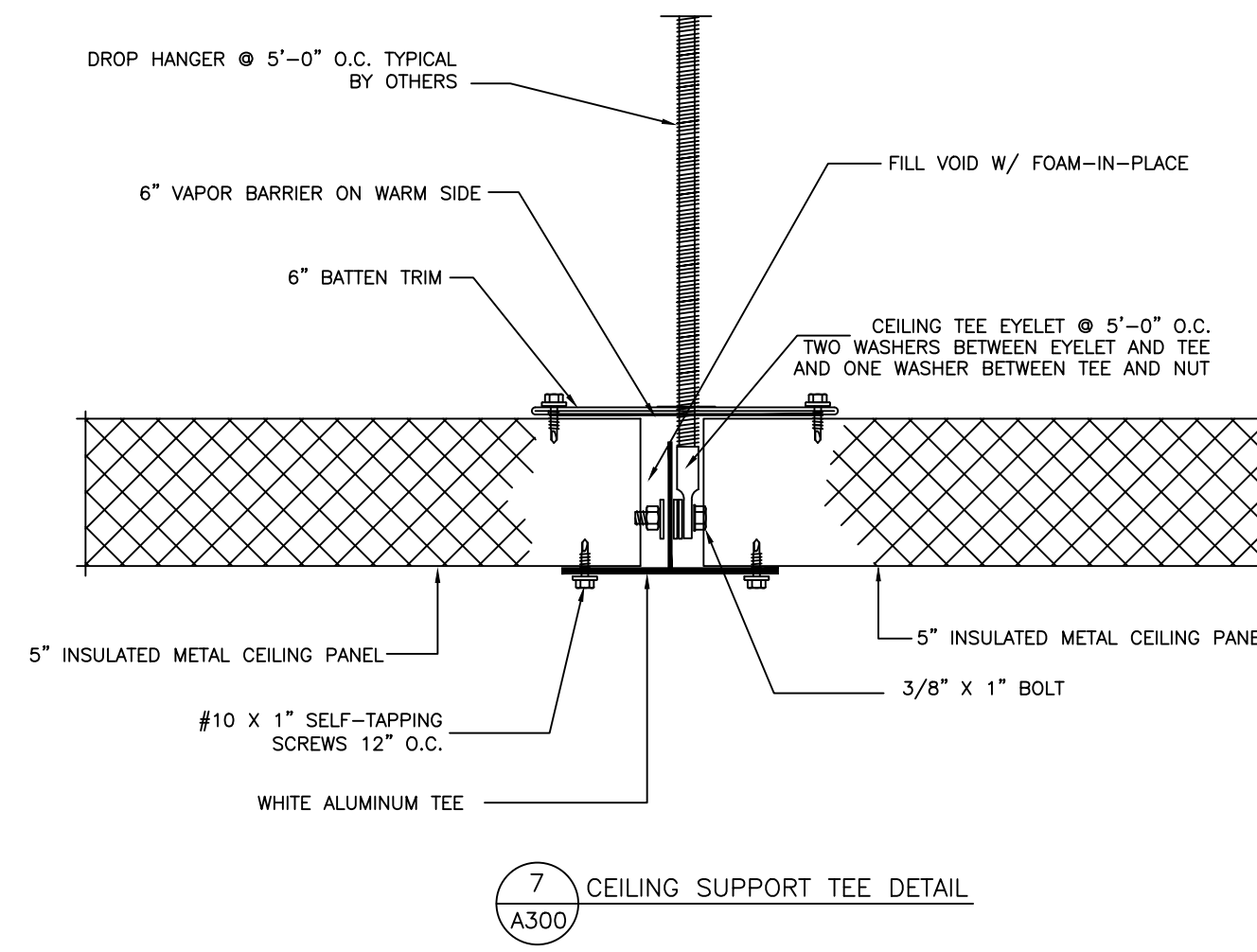
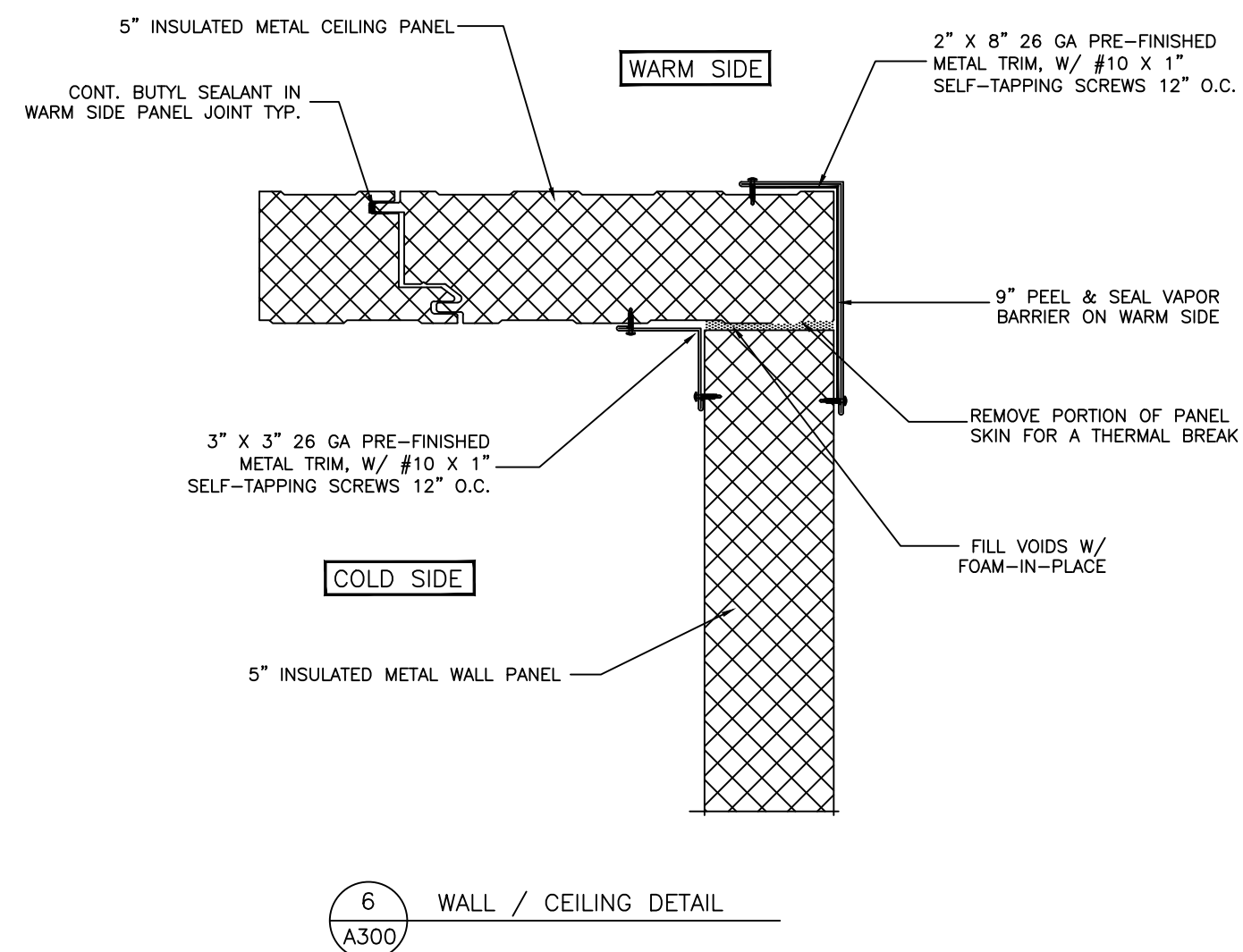
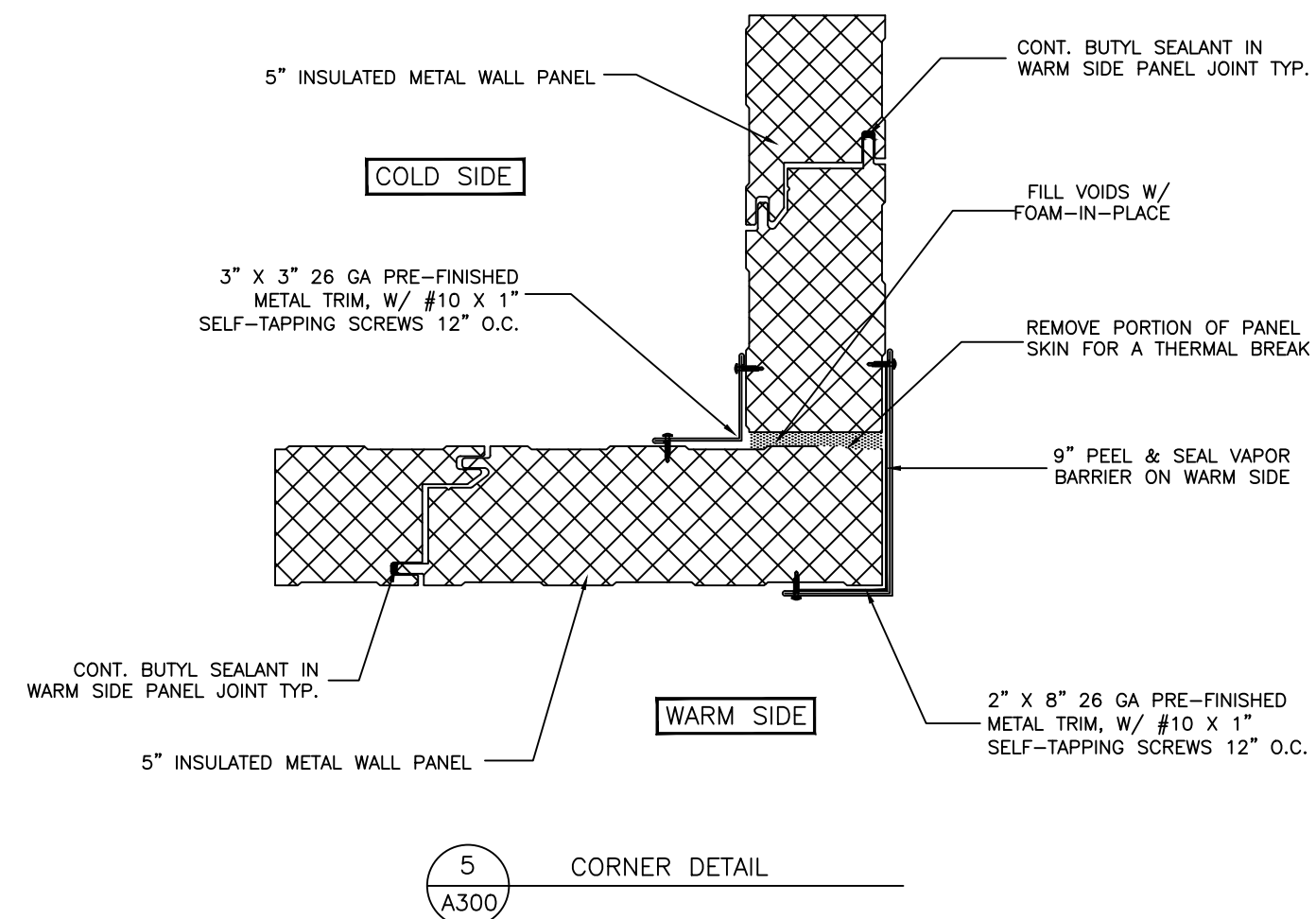
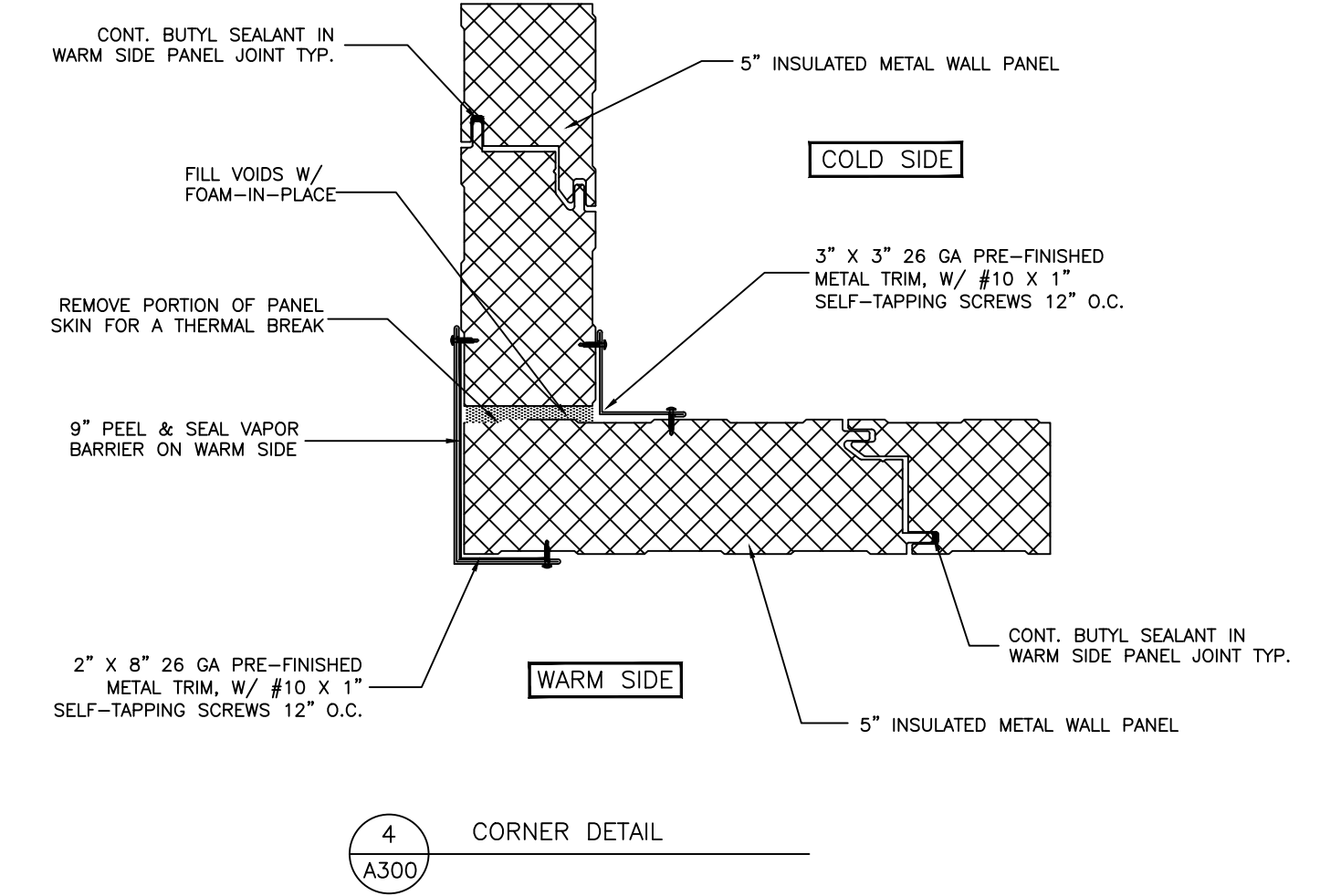
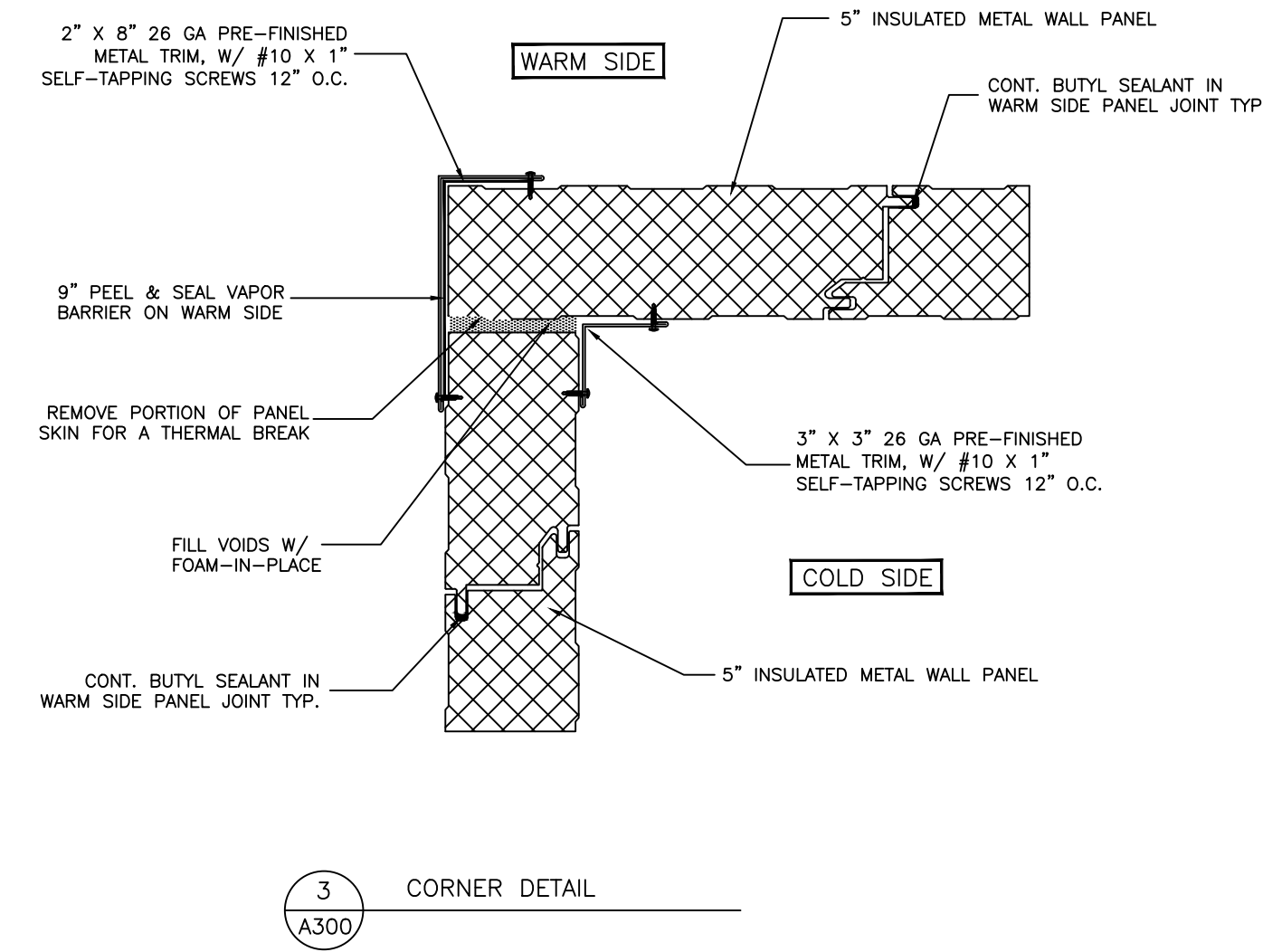
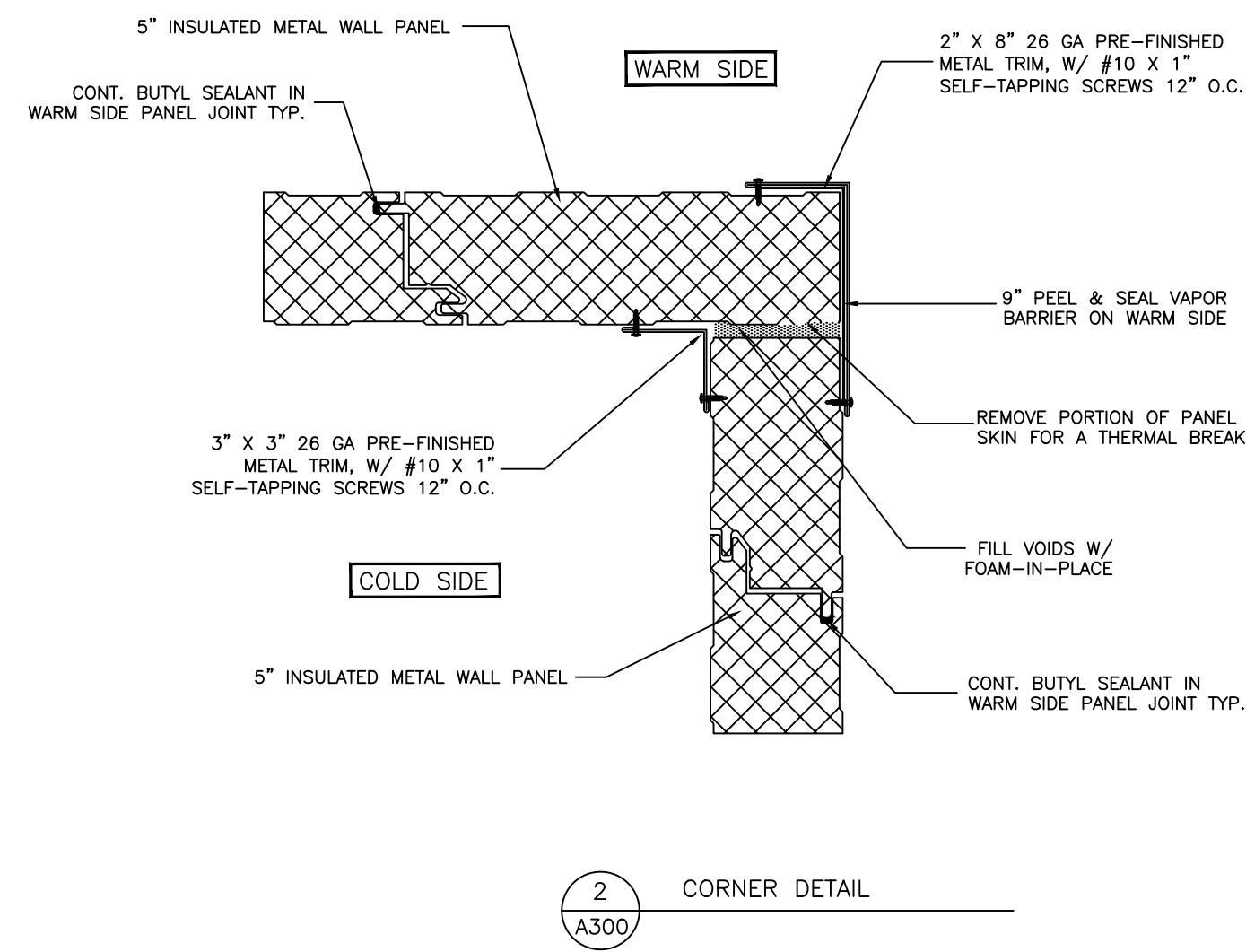
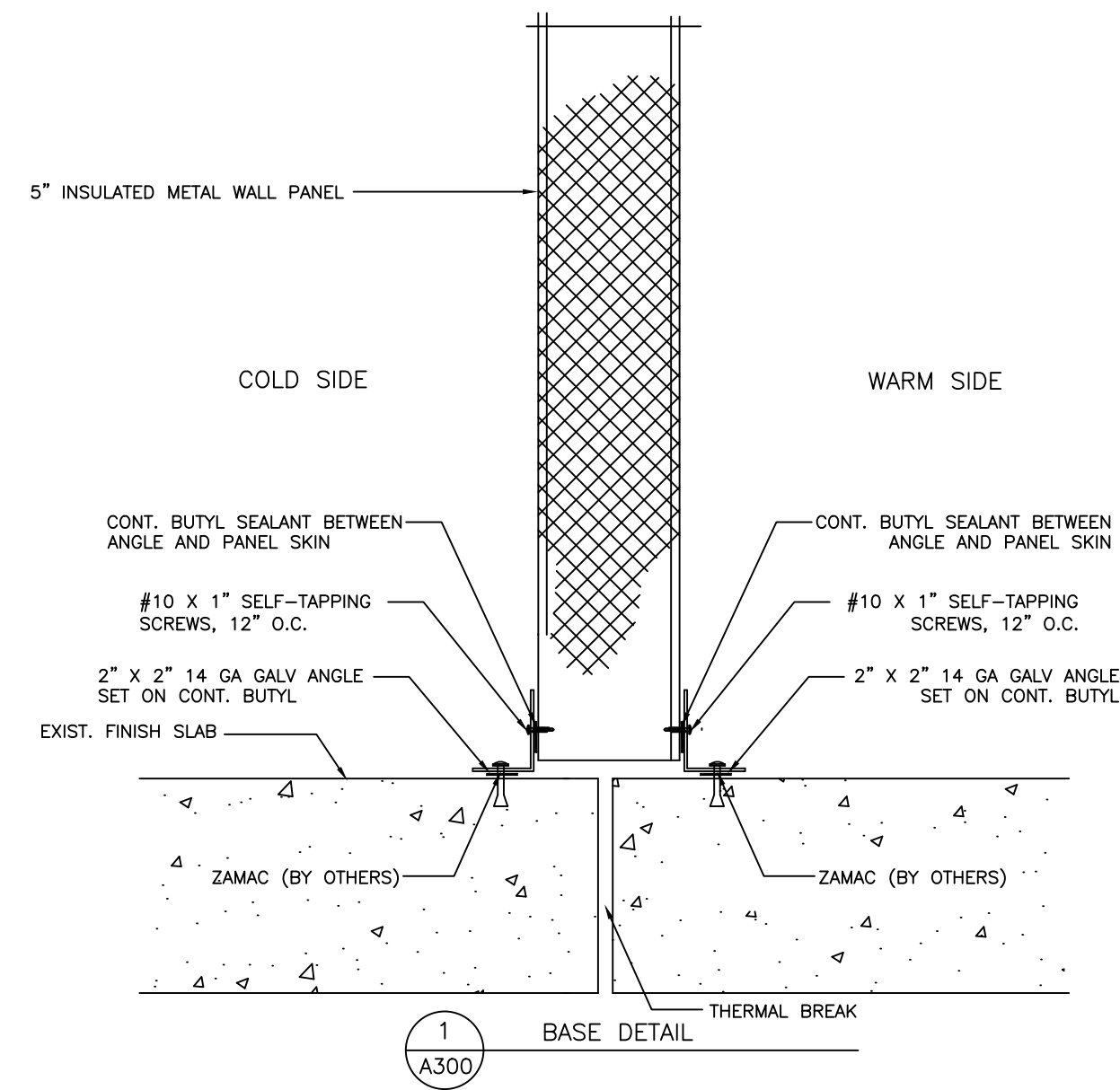
TOLERANCES UNLESS SPECIFIED  
FRACTIONAL DECIMAL ANGLE  
X/X" ± 1/32" .XX ± .015 X" ± 0'30"  
.XXX ± .005 X'XX ± 0'05"  
.XXXX ± .001

Draftsmen is not responsible for panel heights, dimensions. Contractor to verify all information.

FLOOR PLAN

DR. BY: KRZ  
DATE: 8/1/2023  
SCALE: NTS  
CHECKED BY:  
SHEET NO. A100





NO.	REVISION	BY	DATE

Barr Inc.  
1423 Planeview Drive  
Oshkosh, WI 54904  
920-231-1711 Phone

25' x 40' x 20'-5"  
Drive-In Freezer

TOLERANCES UNLESS SPECIFIED  
FRACTIONAL DECIMAL ANGLE  
X/X" ± 1/32" .XX ± .015 X° ± 0'30"  
.XXX ± .005 X'XX ± .005  
.XXXX ± .001

Draftsmen is not responsible for panel heights, wall and ceiling dimensions. Contractor to verify all information.

WALL DETAILS

DR. BY: KRZ  
DATE: 8/1/2023  
SCALE: NTS  
CHECKED BY:  
SHEET NO. A300