

Barr Inc.  
1423 Planeview Drive  
Oshkosh, WI 54904  
920-231-1711 Phone

25' x 40' x 16'-5"  
Drive-In Freezer

**DRAWING INDEX**

T.1	TITLE SHEET
A100	FLOOR/CEILING PLAN
A200	INSULATED WALL PANEL ELEVATIONS
A300	INSULATED WALL PANEL DETAILS

REVISION	BY	DATE

Barr Inc.  
1423 Planeview Drive  
Oshkosh, WI 54904  
920-231-1711 Phone

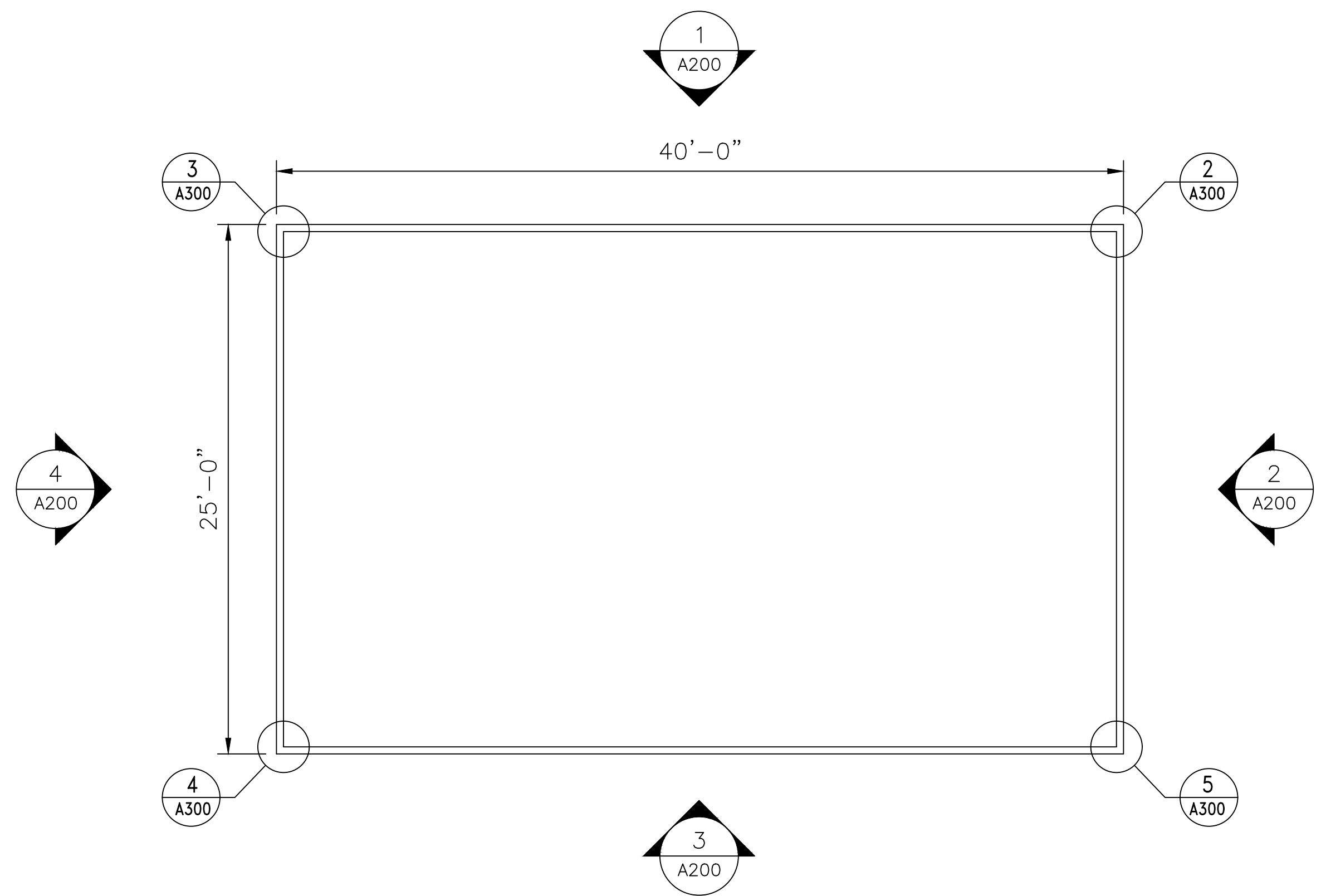
25' x 40' x 16'-5"  
Drive-In Freezer

TOLERANCES UNLESS SPECIFIED:  
FRACTIONAL ± 1/32"  
DECIMAL ± .015"  
ANGLE ± 0°30'

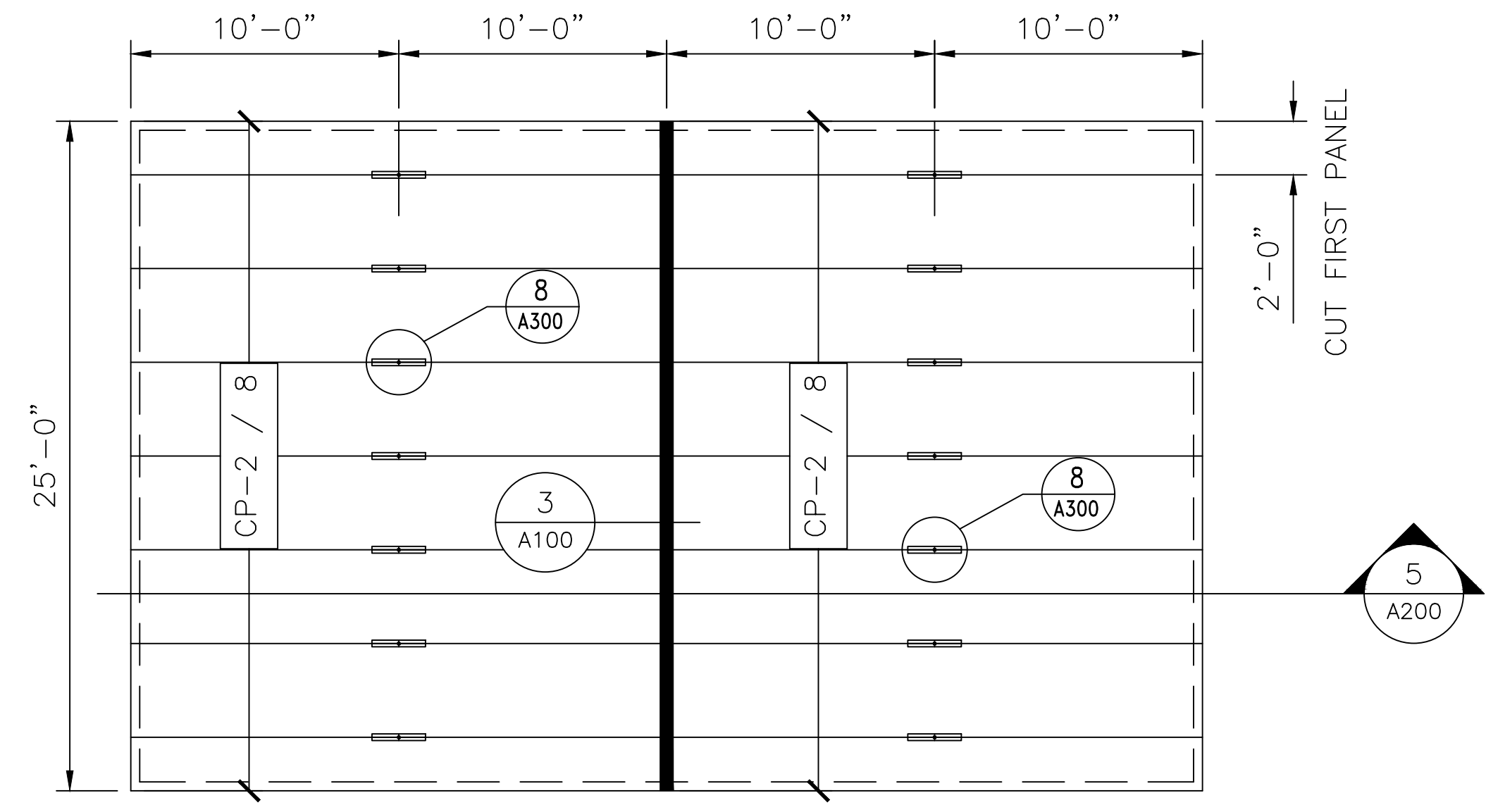
Draftsmen is not responsible for panel heights, wall dimensions. Contractor to verify all information.

TITLE

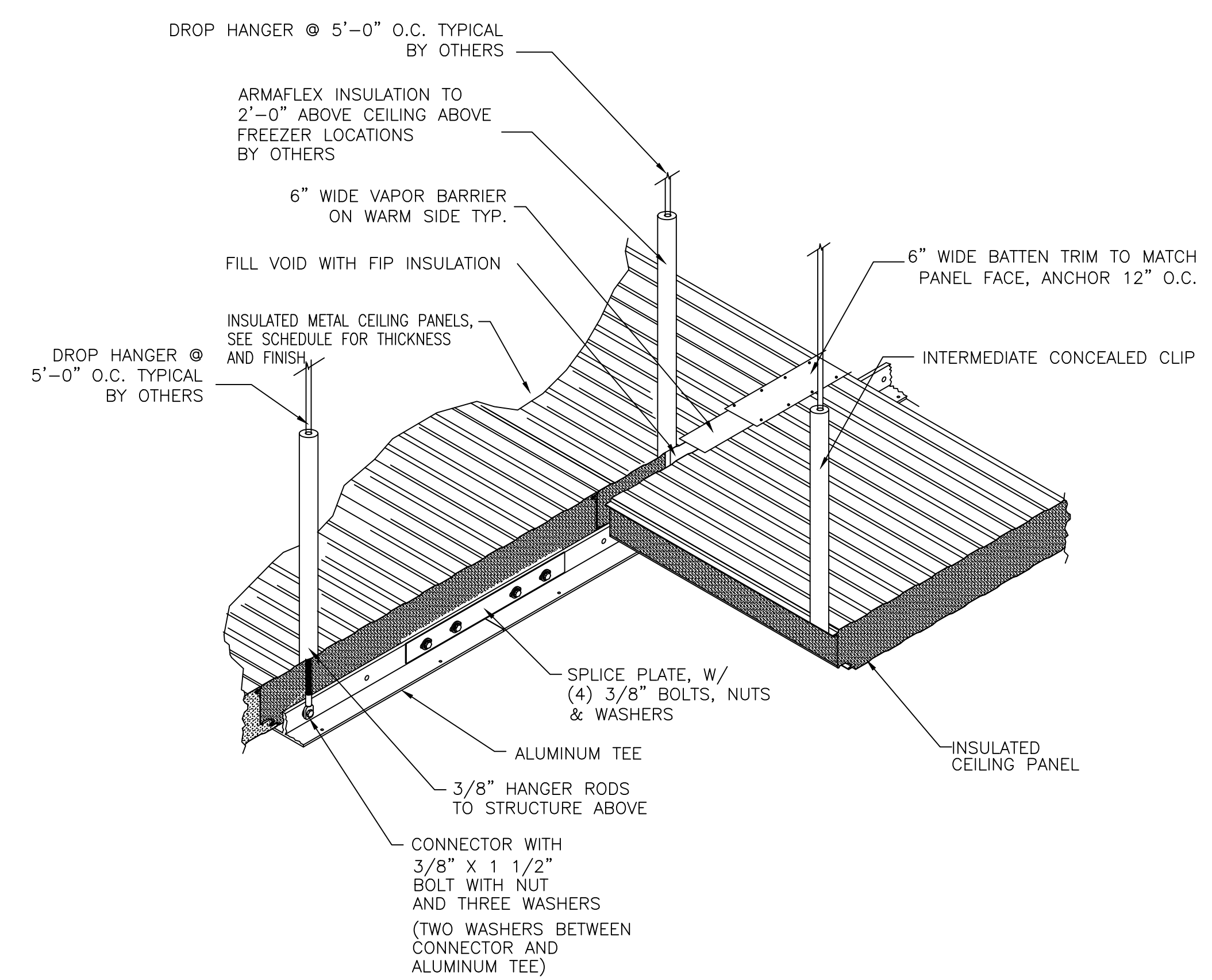
DR. BY: KRZ  
DATE: 8/1/2023  
SCALE: NTS  
CHECKED BY:  
SHEET NO. T.1



1 FLOOR PLAN  
A100 SCALE: N.T.S.



2 CEILING PLAN  
A100 SCALE: N.T.S.



3 CEILING TEE DETAIL  
A100 SCALE: N.T.S.

PANEL SCHEDULE

PANEL DESIG.	PANEL HEIGHT	QTY OF PANELS	PANEL THICK	PANEL SERIES	PANEL COLOR
WP-1	16'-0"	40	5"	MESALINE	USDA WHITE
CP-2	20'-0"	16	5"	MESALINE	USDA WHITE

NO.	REVISION	DATE	BY

**Barr Inc.**  
1423 Planeview Drive  
Oshkosh, WI 54904  
920-231-1711 Phone

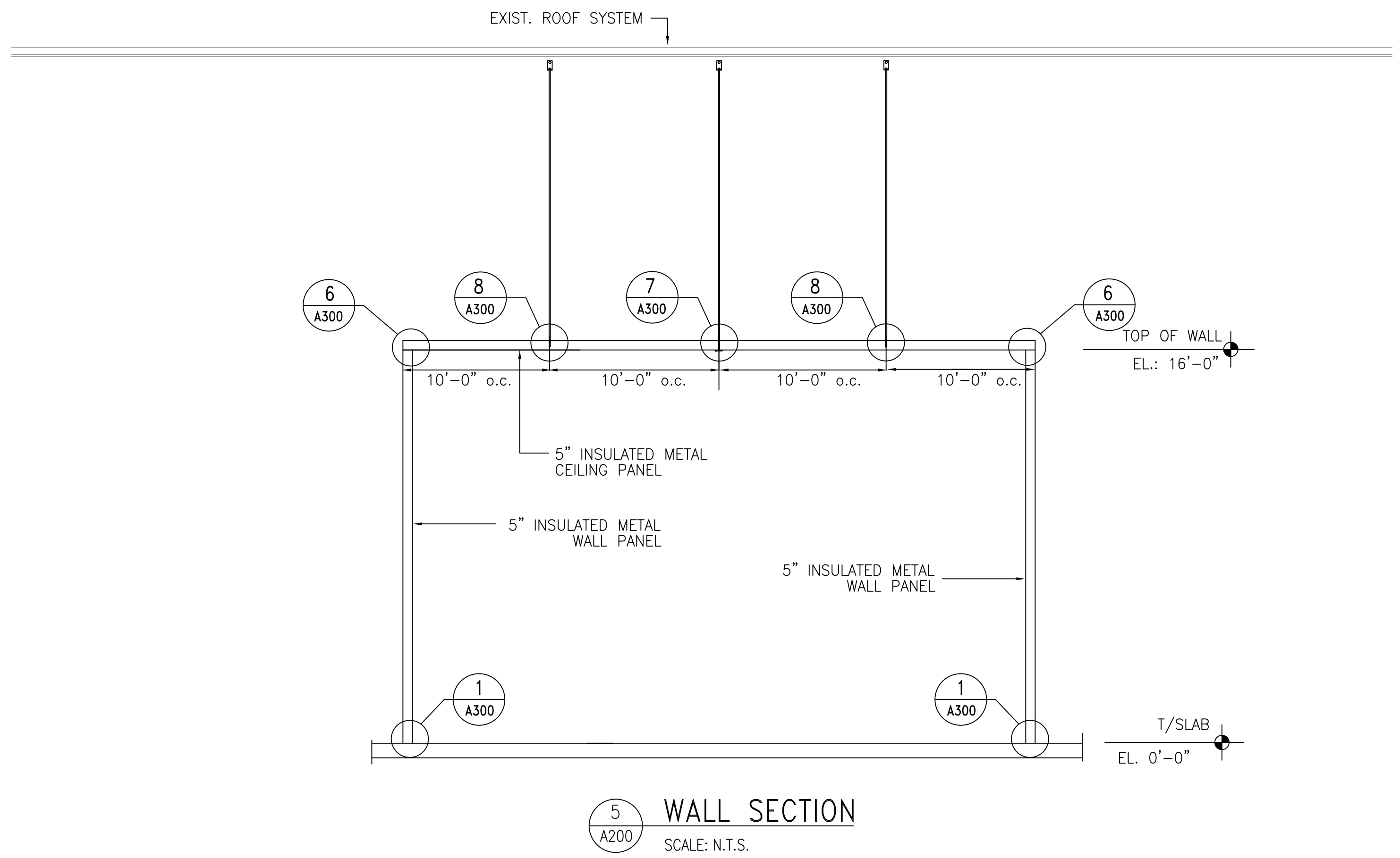
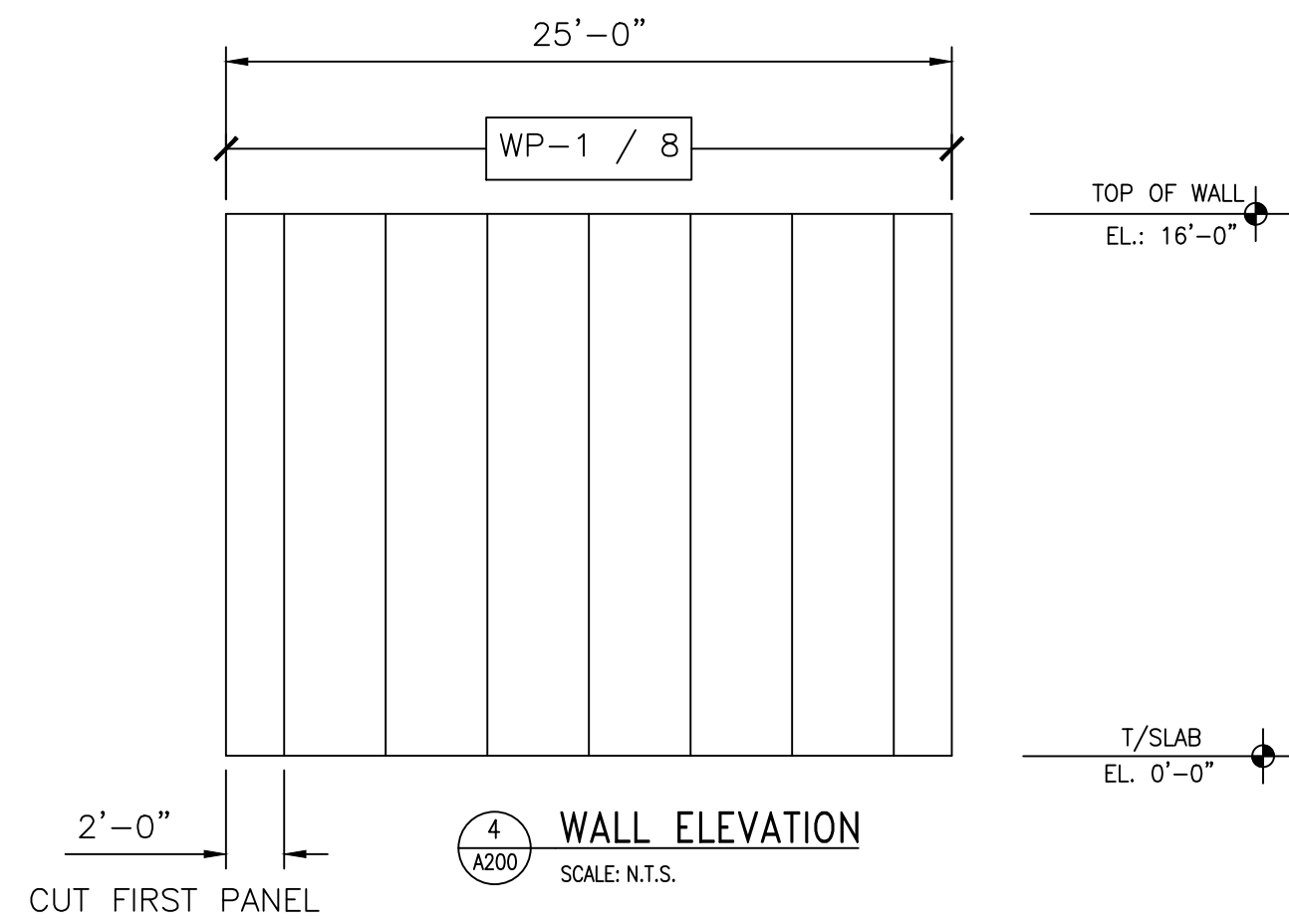
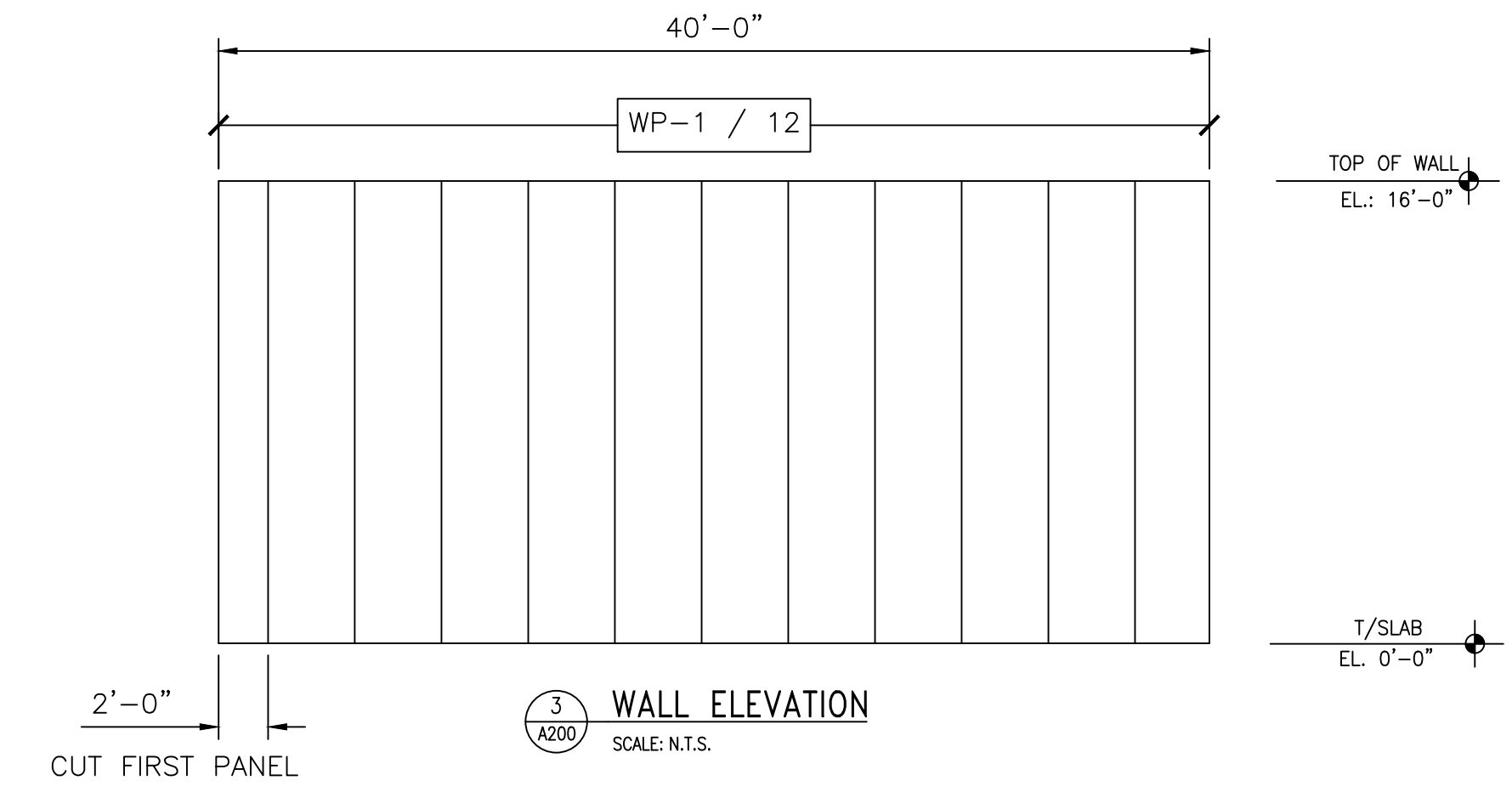
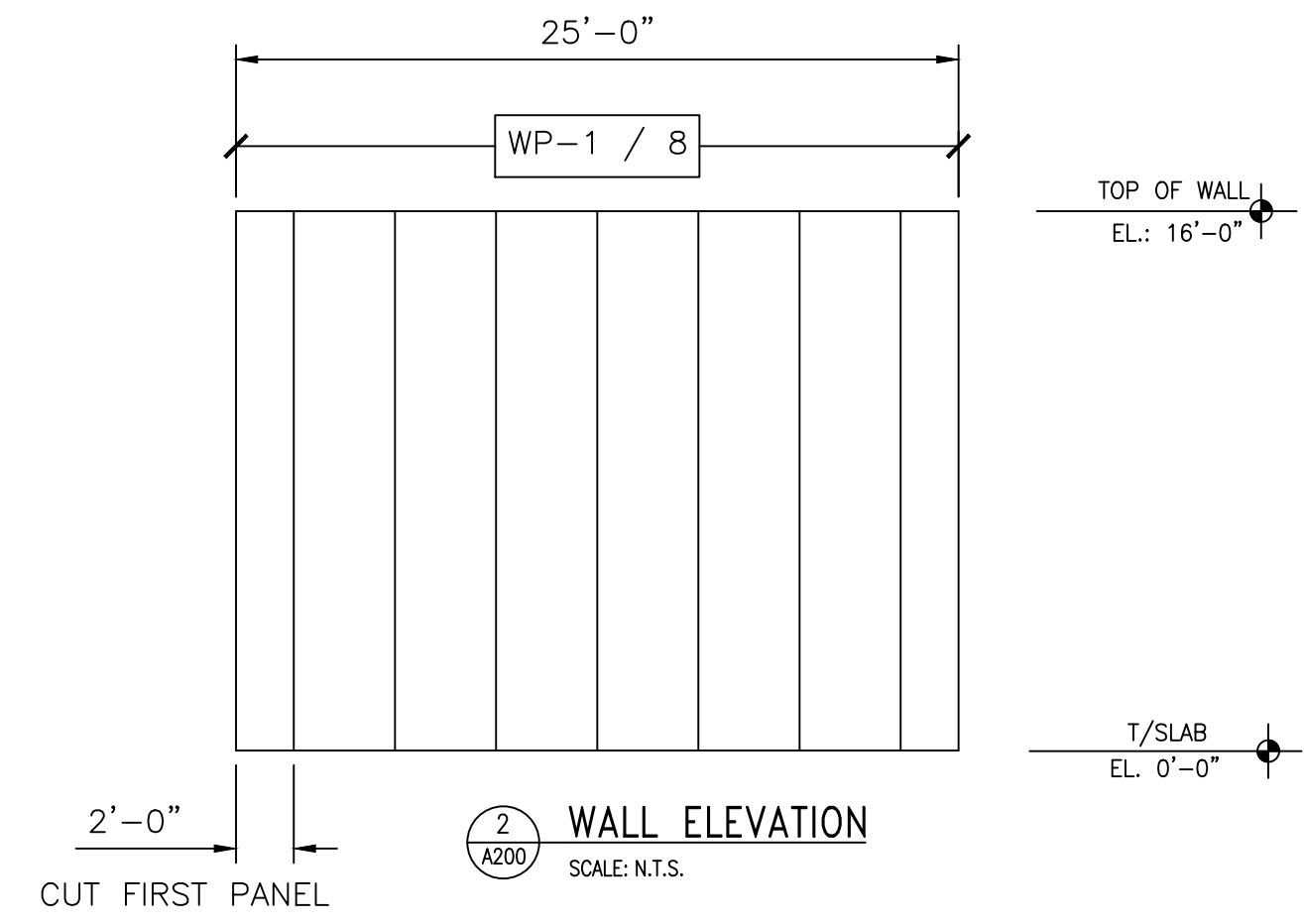
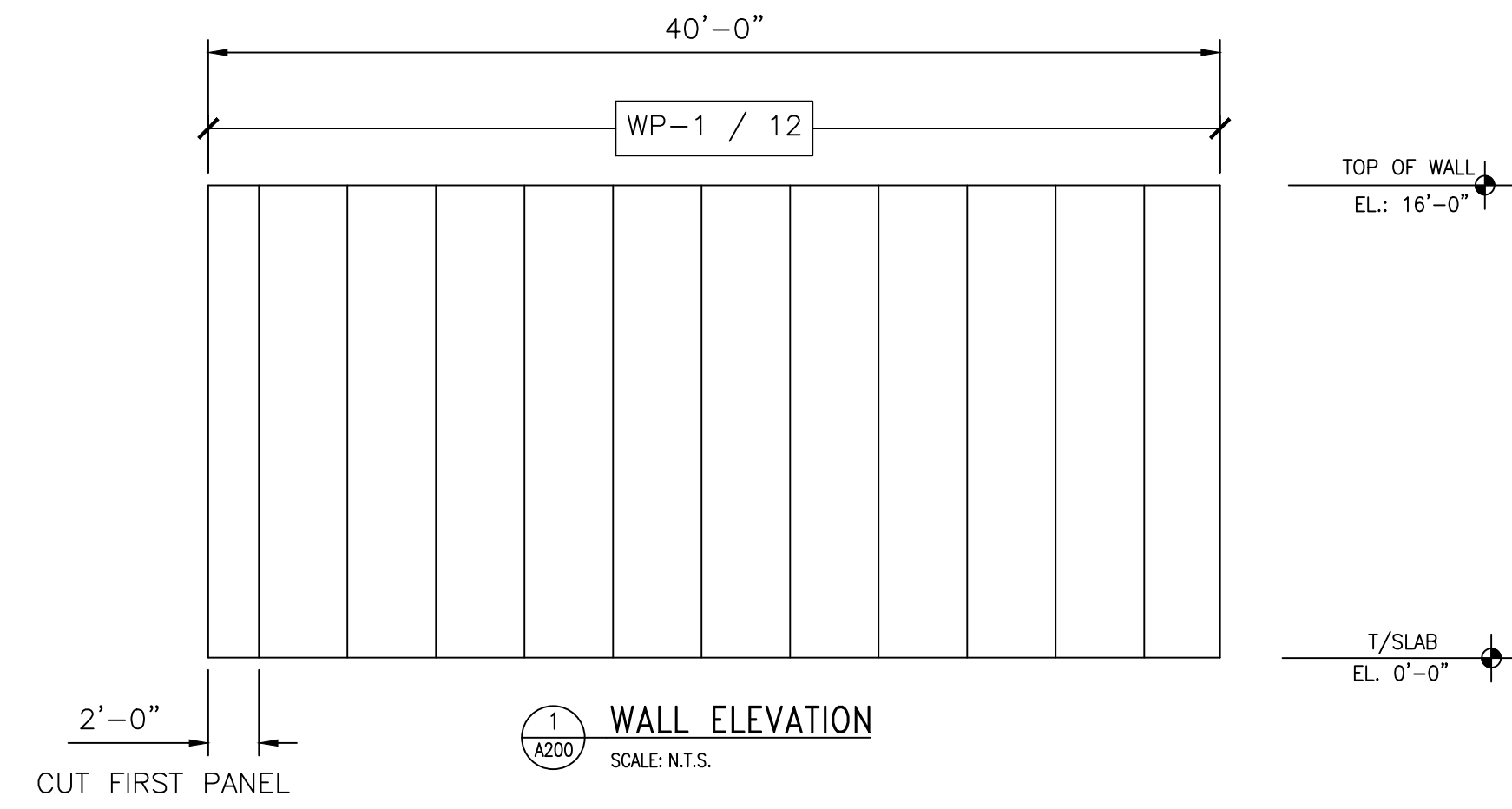
25' x 40' x 16'-5"  
Drive-In Freezer

TOLERANCES UNLESS SPECIFIED  
FRACTIONAL DECIMAL ANGLE  
X/X" ± 1/32" .XX ± .015 X" ± 0'30"  
.XXX ± .005 X'XX ± 0'05"  
.XXXX ± .001

Draftsmen is not responsible for panel heights, dimensions. Contractor to verify all information.

FLOOR PLAN

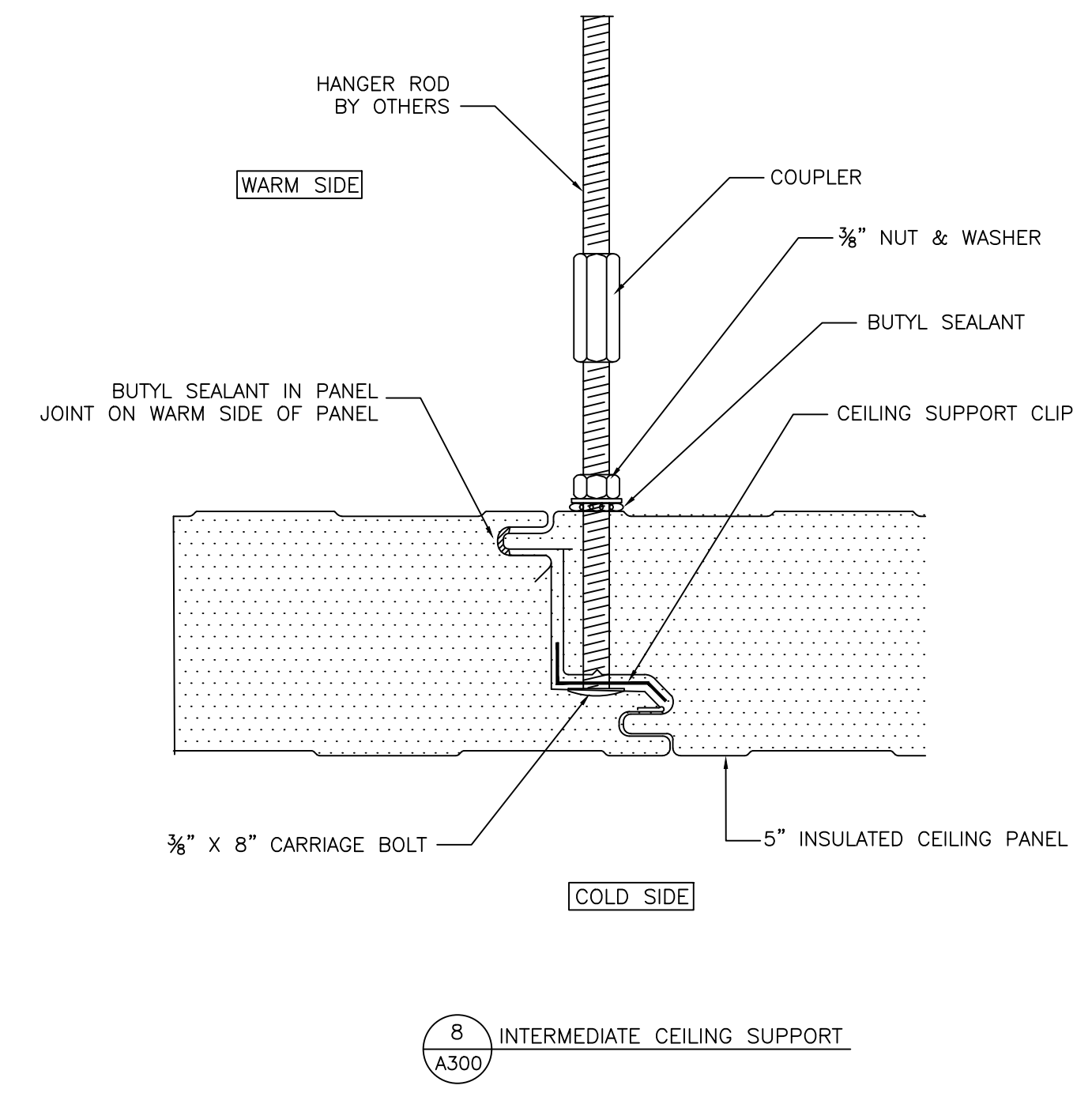
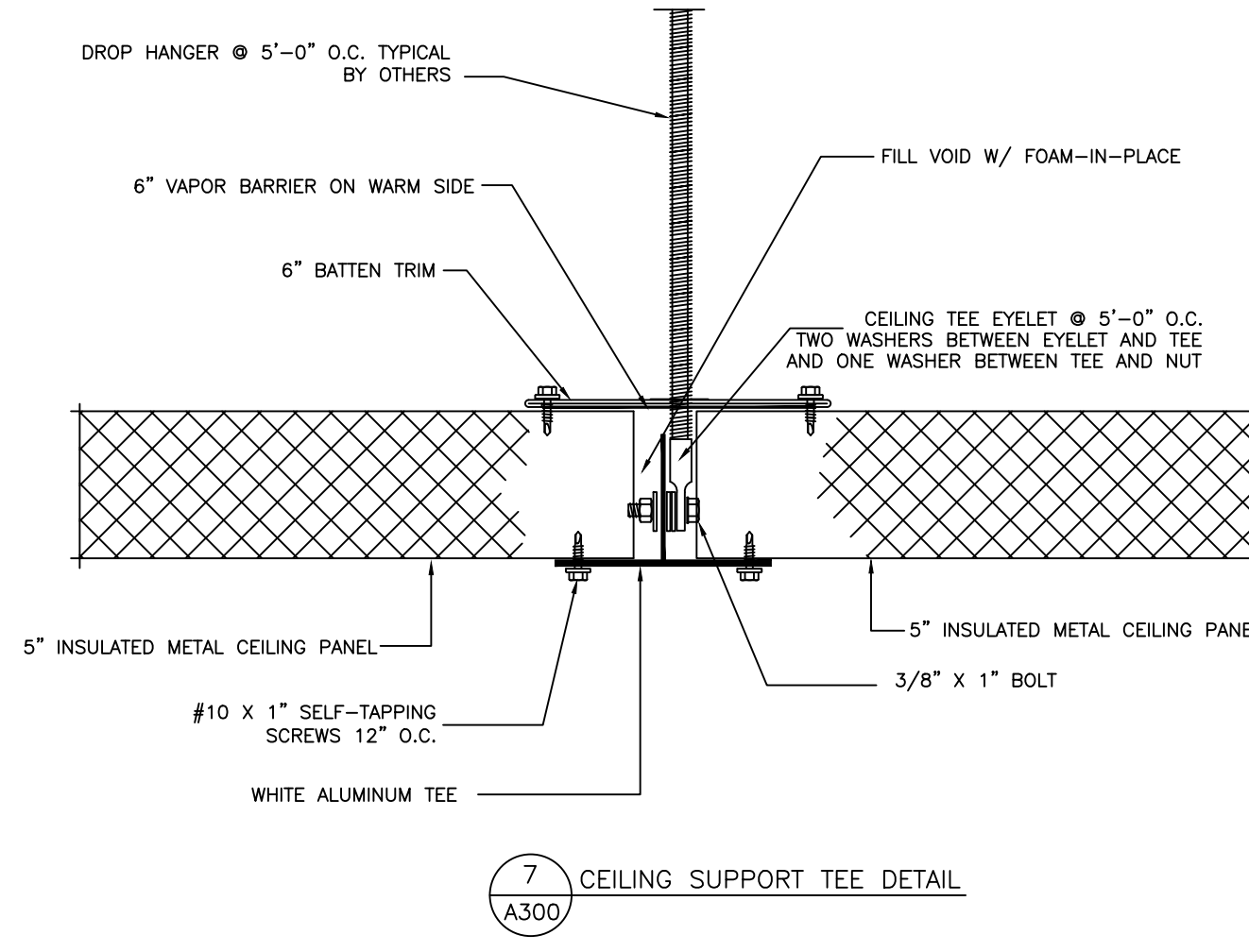
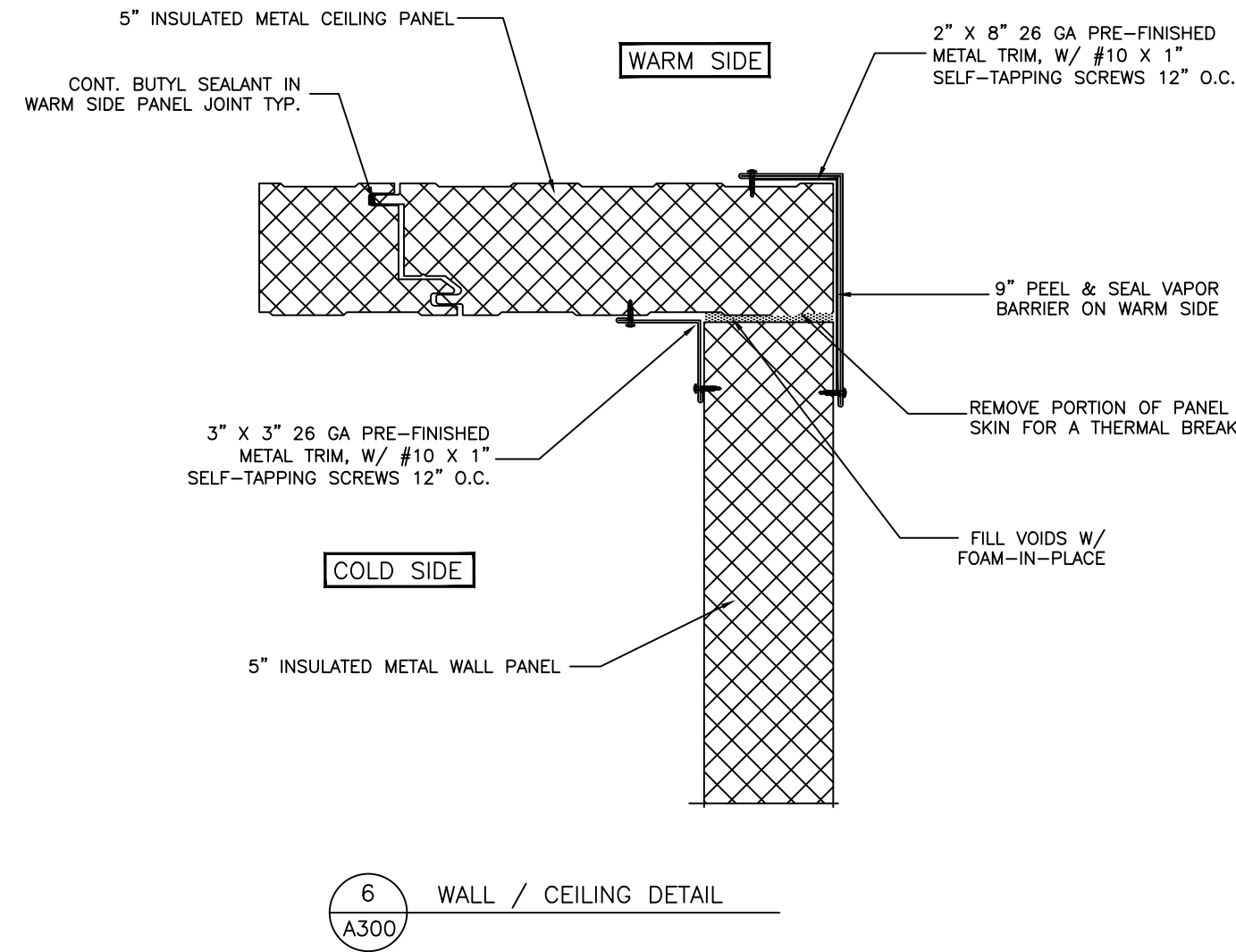
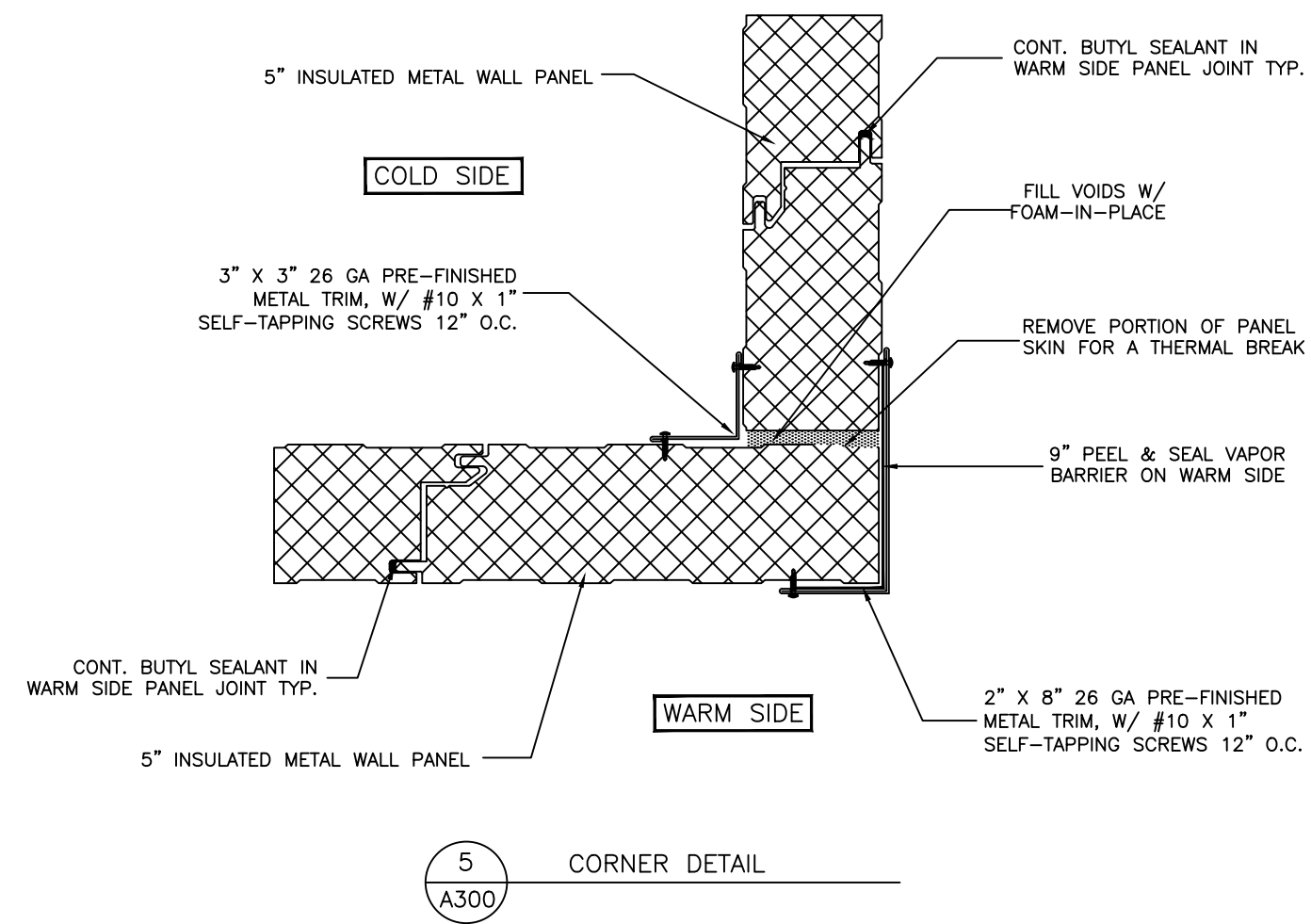
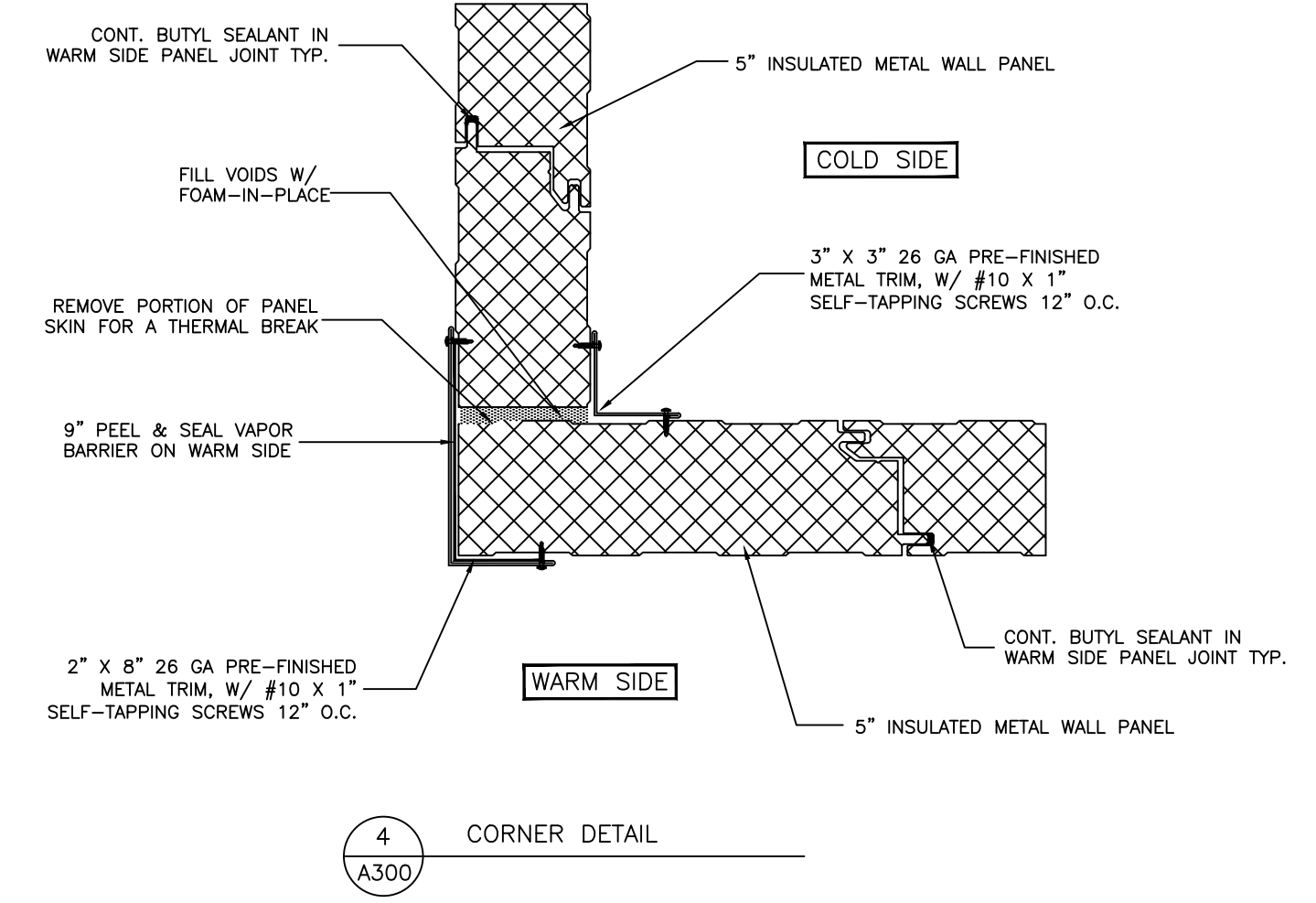
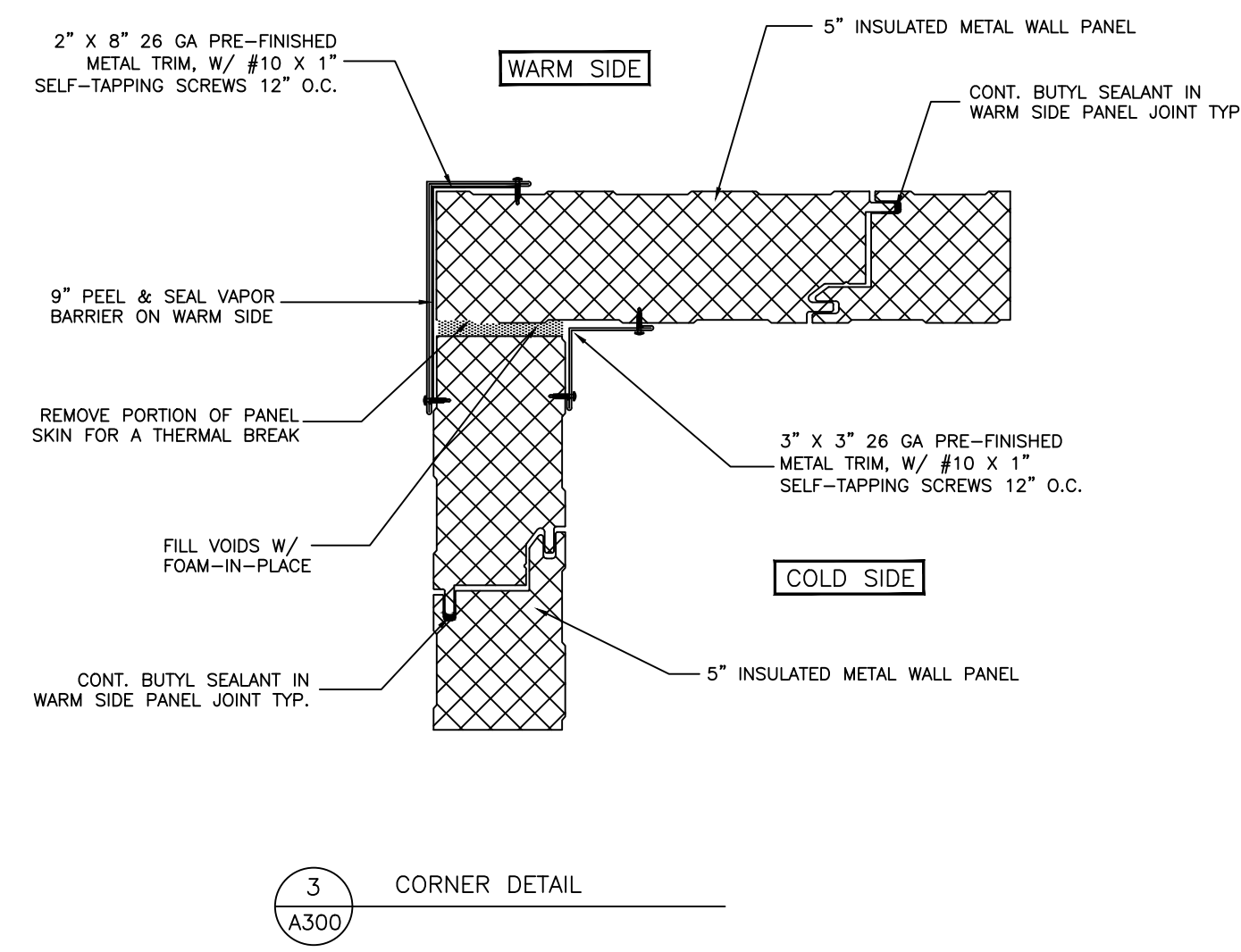
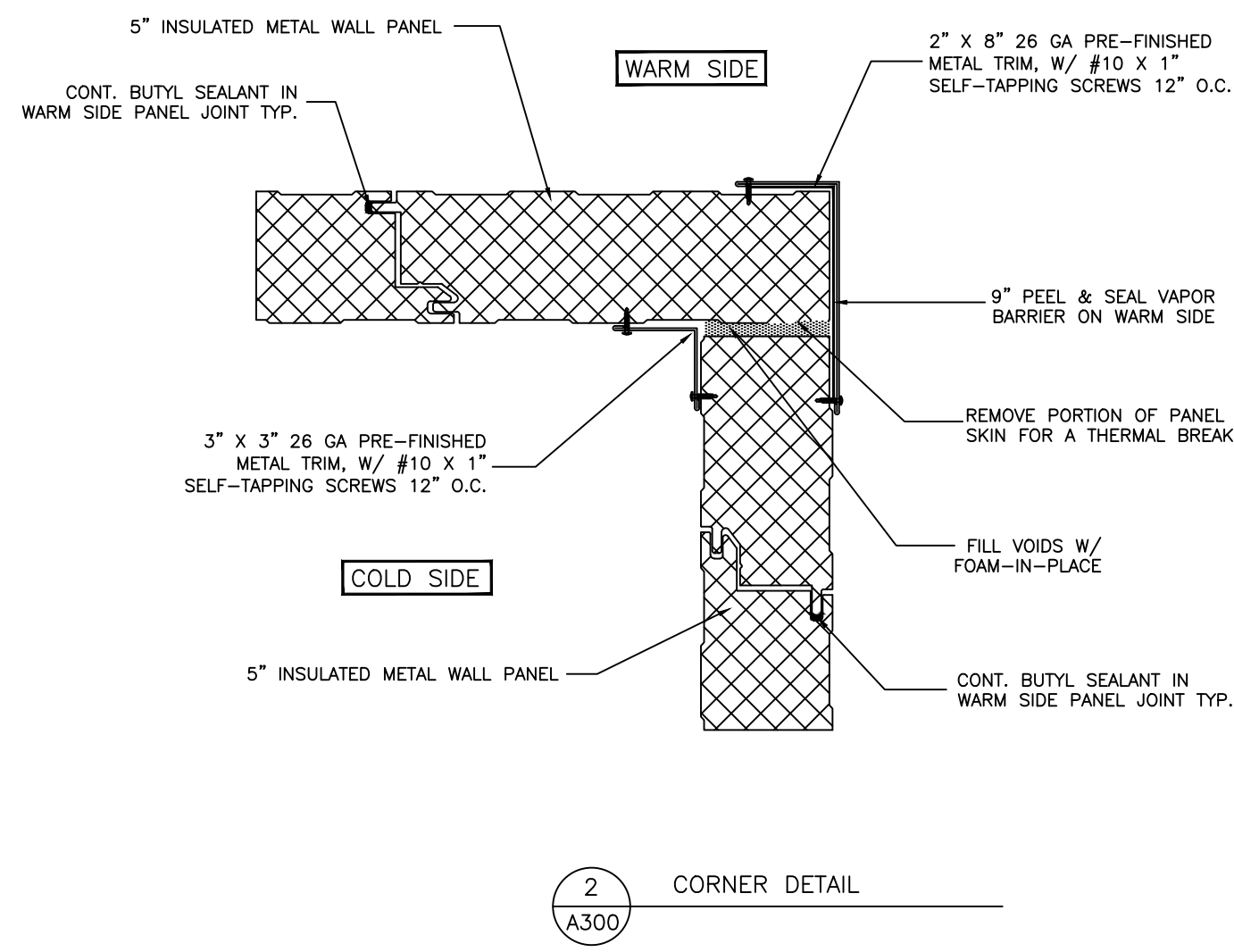
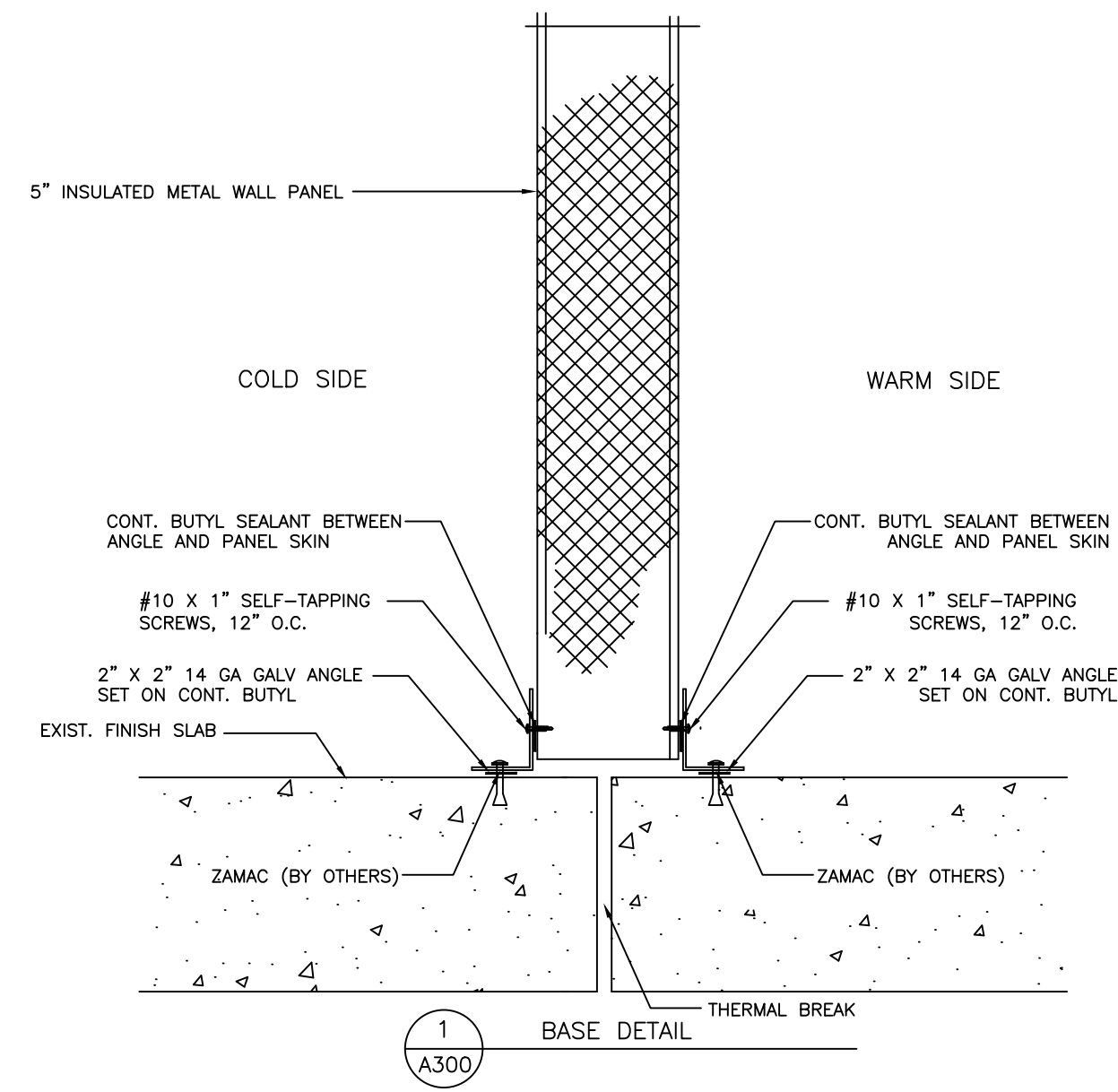
DR. BY: KRZ  
DATE: 8/1/2023  
SCALE: NTS  
CHECKED BY:  
SHEET NO. A100



PANEL SCHEDULE

PANEL DESIG.	PANEL HEIGHT	QTY. OF PANELS	PANEL THICK	PANEL SERIES	PANEL COLOR
WP-1	16'-0"	40	5"	MESALINE	USDA WHITE
CP-2	20'-0"	16	5"	MESALINE	USDA WHITE

Barr Inc.	
1423 Planeview Drive	
Oshkosh, WI 54904	
920-231-1711 Phone	
25' x 40' x 16'-5" Drive-In Freezer	
TOLERANCES UNLESS SPECIFIED	
FRACTIONAL	DECIMAL
X/X" ± 1/32"	.015 X" ± 0.30"
.XXX ± .005	.XXXX ± .001
Drafter is not responsible for panel heights, verify all dimensions. Contractor to verify all information.	
WALL ELEVATIONS	
DR. BY:	KRZ
DATE:	8/1/2023
SCALE:	N.T.S.
CHECKED BY:	
SHEET NO.:	A200



NO.	REVISION	BY	DATE

Barr Inc.  
1423 Planeview Drive  
Oshkosh, WI 54904  
920-231-1711 Phone

25' x 40' x 16'-5"  
Drive-In Freezer

TOLERANCES UNLESS SPECIFIED  
FRACTIONAL DECIMAL ANGLE  
X/X" ± 1/32" .XX ± .015 X" ± 0'30"  
.XXX ± .005 X'XX ± .005  
.XXXX ± .001

Draftsman is not responsible for panel heights, wall heights, dimensions. Contractor to verify all information.

WALL DETAILS

DR.BY: KRZ  
DATE: 8/1/2023  
SCALE: NTS  
CHECKED BY:  
SHEET NO. A300