

Barr Inc.
1423 Planeview Drive
Oshkosh, WI 54904
920-231-1711 Phone

25' x 40' x 10'-5"
Drive-In Freezer

DRAWING INDEX

- T.1 TITLE SHEET**
- A100 FLOOR/CEILING PLAN**
- A200 INSULATED WALL PANEL ELEVATIONS**
- A300 INSULATED WALL PANEL DETAILS**

Barr Inc.
1423 Planeview Drive
Oshkosh, WI 54904
920-231-1711 Phone

25' x 40' x 10'-5"
Drive-In Freezer

TOLERANCES UNLESS SPECIFIED
FRACTIONAL ± 1/32" DECIMAL ± .015" ANGLE ± 0°30'
X/16" ± .005" .XXX ± .005" X'XX ± .005"
.XXXX ± .001

Draftsman is not responsible for panel heights,
width or dimensions. Contractor to
verify all information.

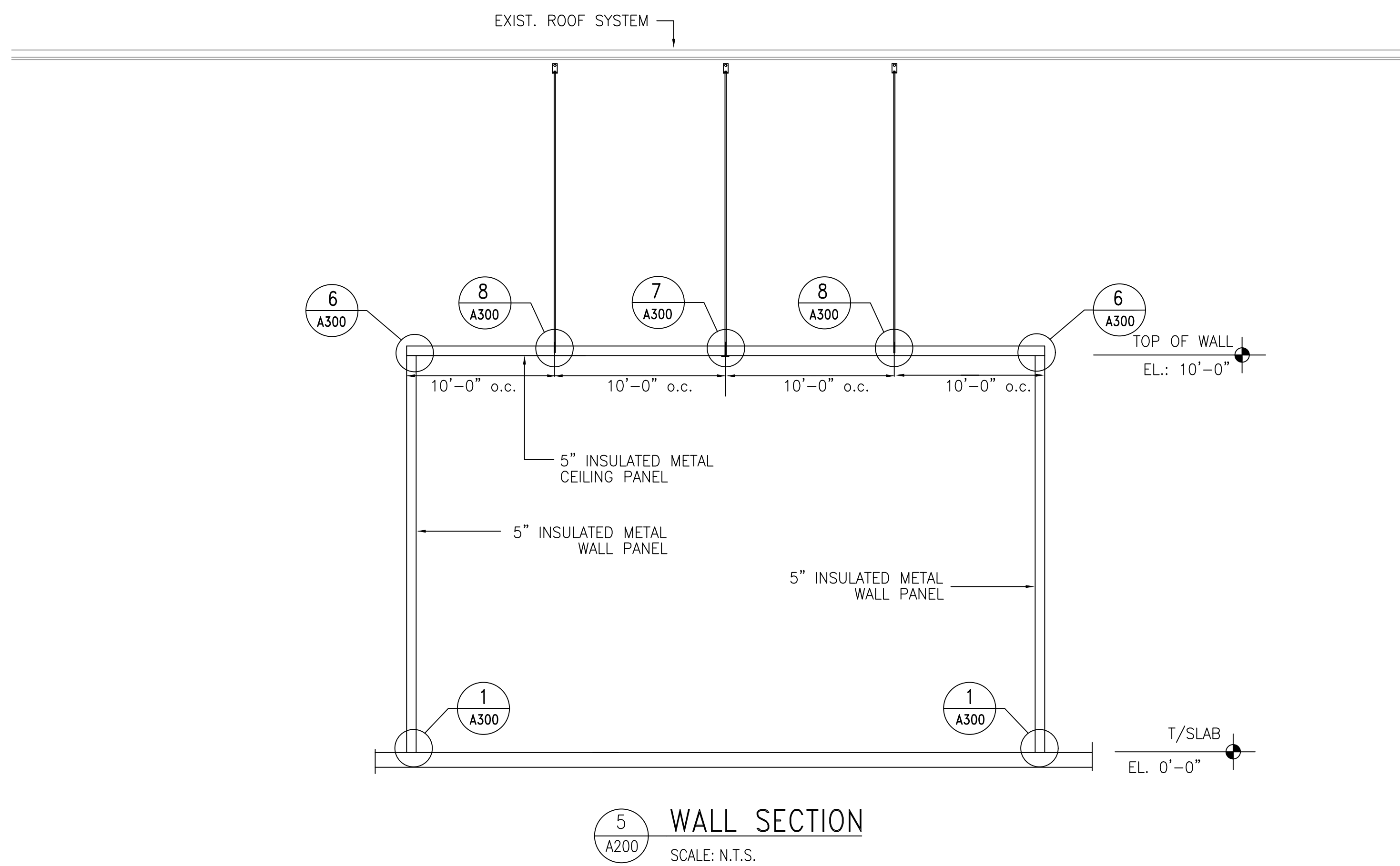
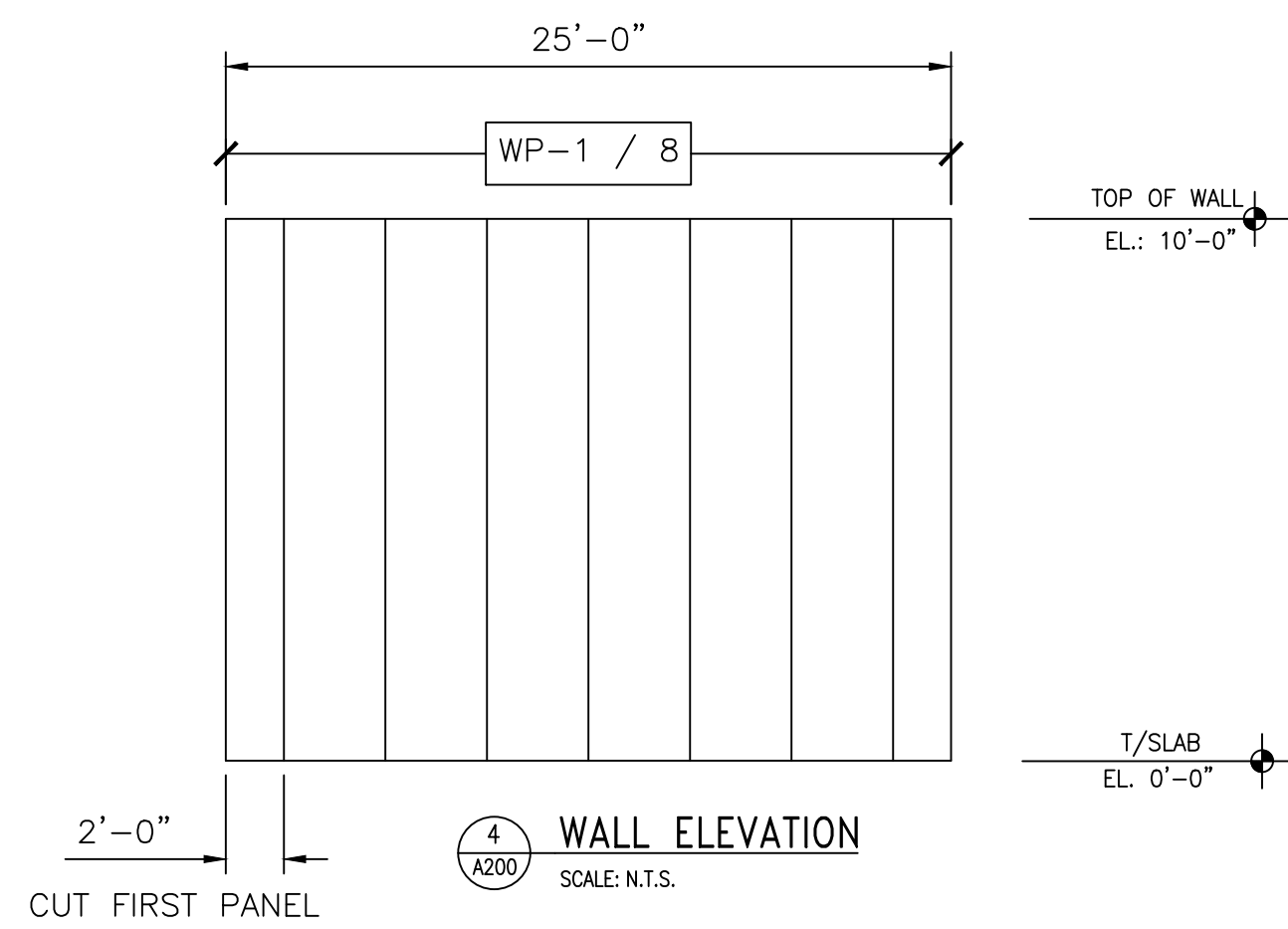
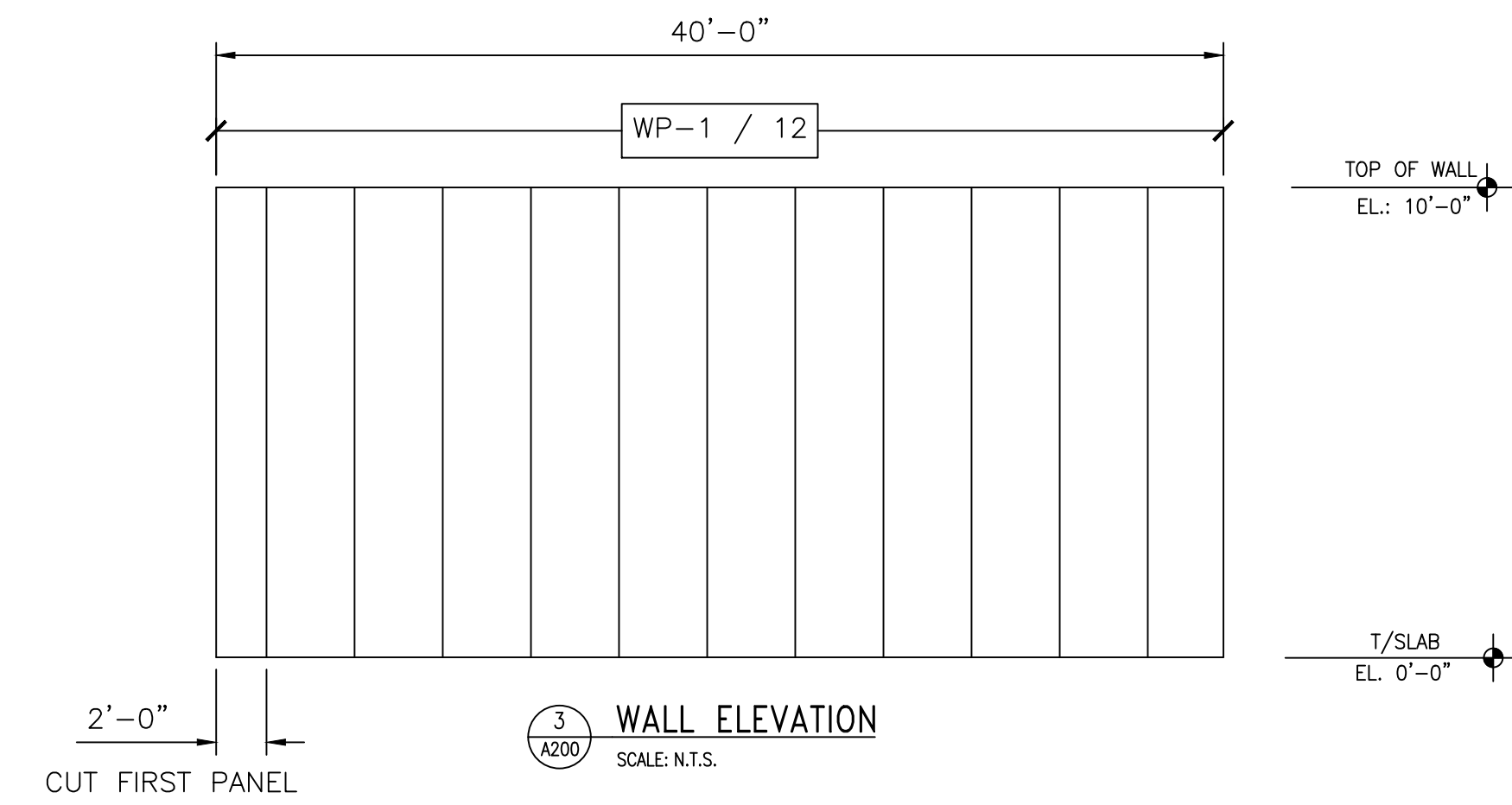
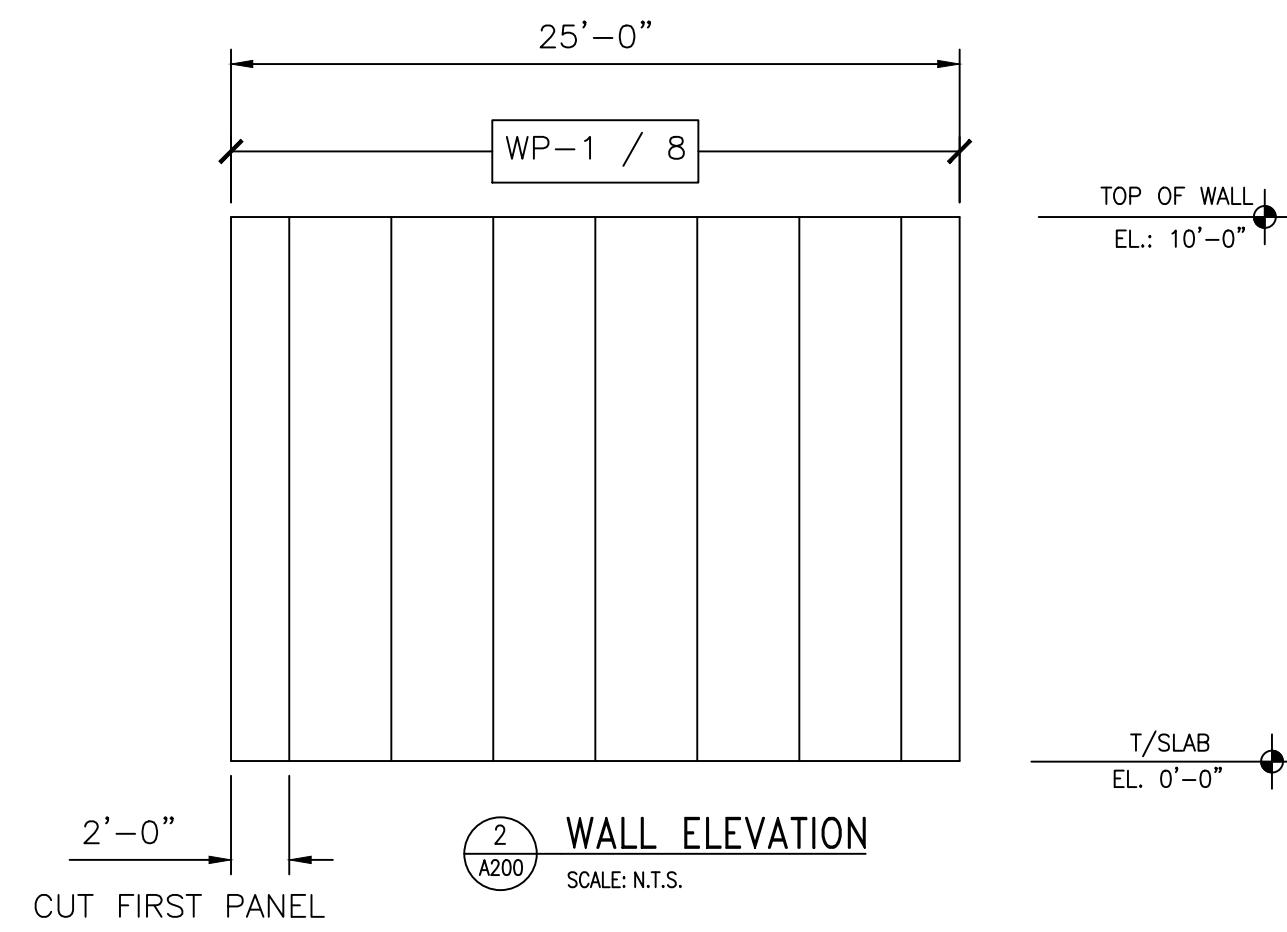
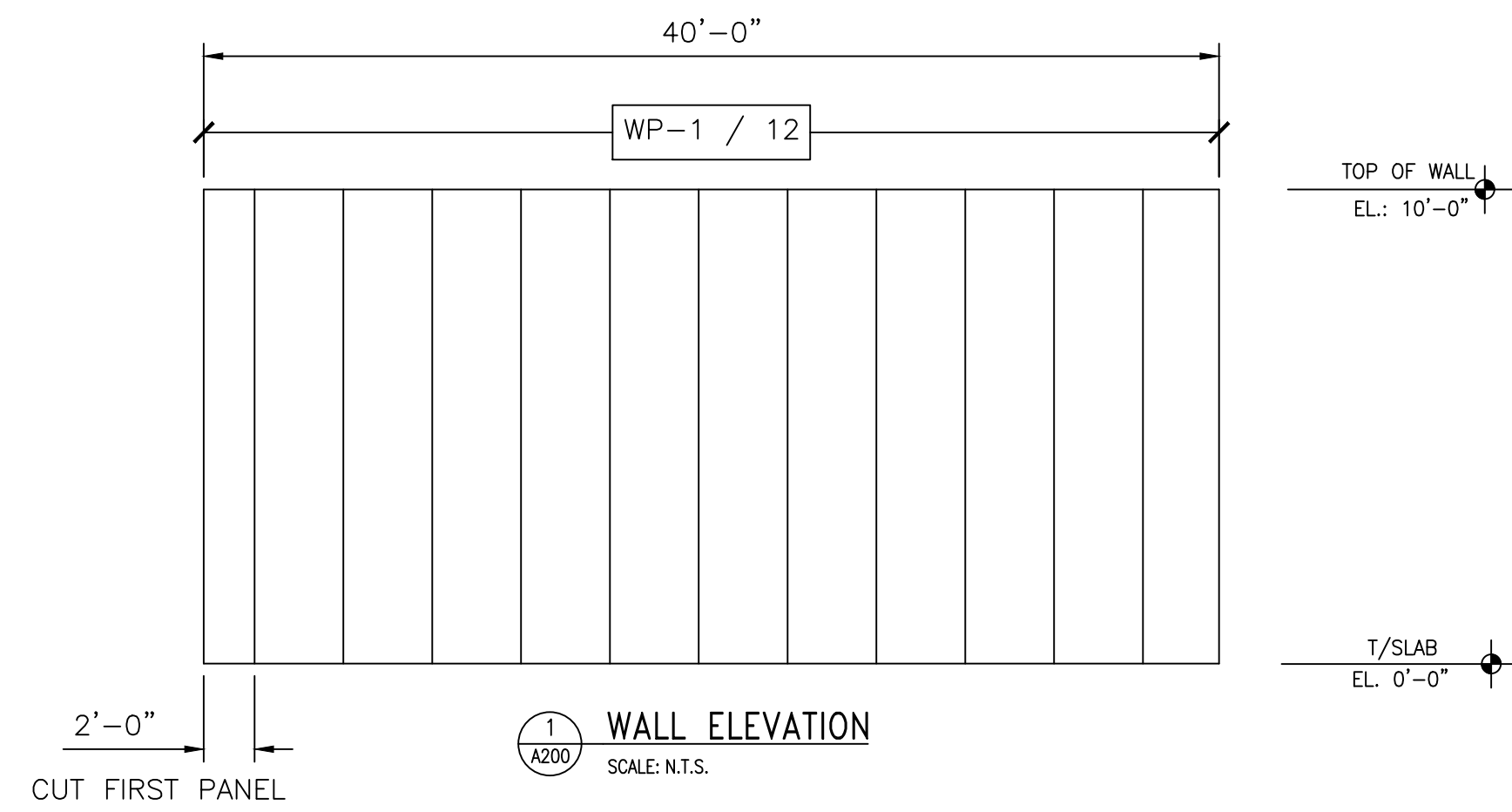
TITLE

DR. BY: KRZ
DATE: 8/1/2023
SCALE: NTS
CHECKED BY:
SHEET NO.
T.1

REVISION

DATE

BY



PANEL SCHEDULE

| PANEL DESIG. | PANEL HEIGHT | QTY. OF PANELS | PANEL THICK | PANEL SERIES | PANEL COLOR |
|--------------|--------------|----------------|-------------|--------------|-------------|
| WP-1 | 10'-0" | 40 | 5" | MESALINE | USDA WHITE |
| CP-2 | 20'-0" | 16 | 5" | MESALINE | USDA WHITE |

Barr Inc.
1423 Planeview Drive
Oshkosh, WI 54904
920-231-1711 Phone

25' x 40' x 10'-5"
Drive-In Freezer

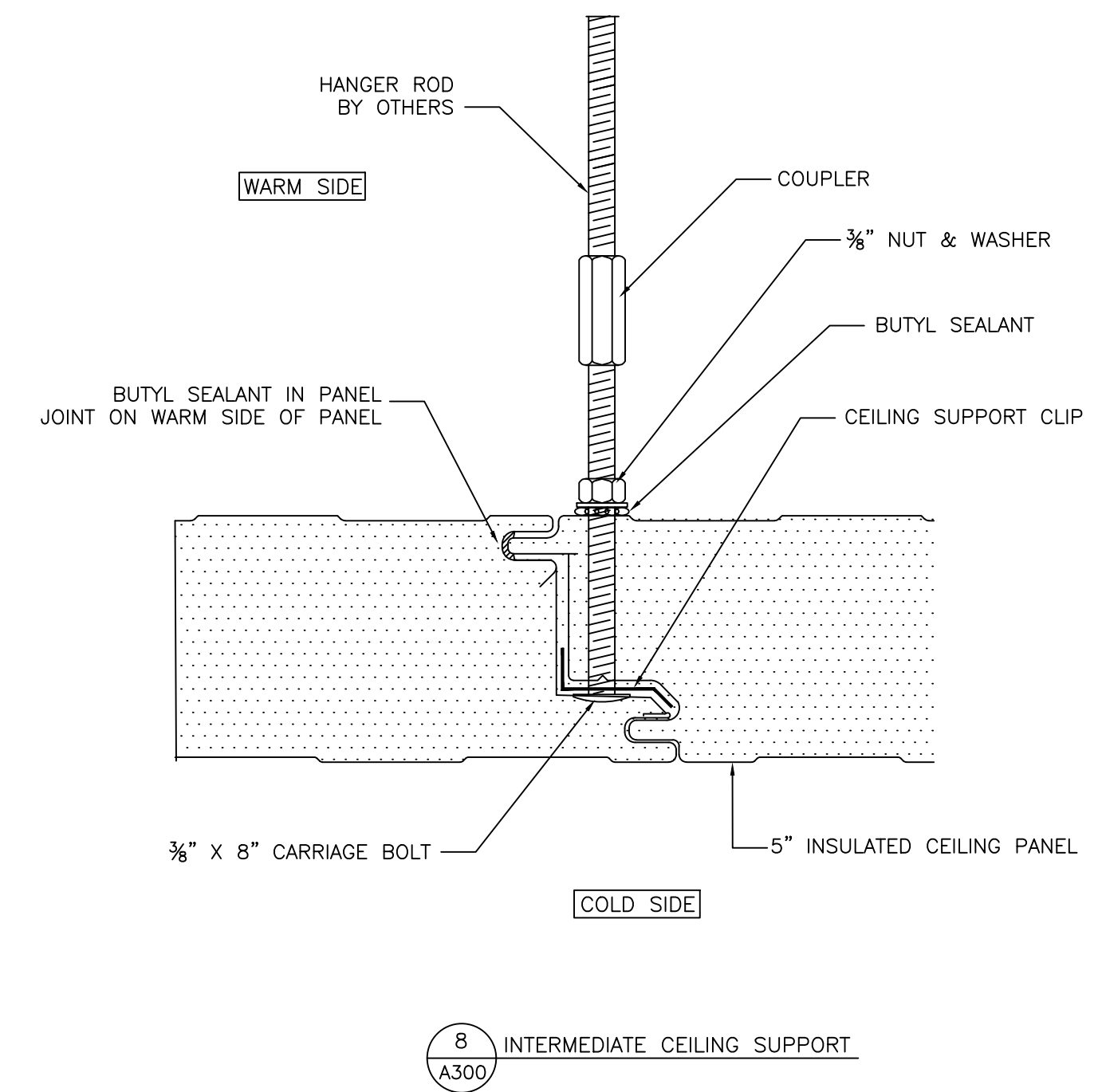
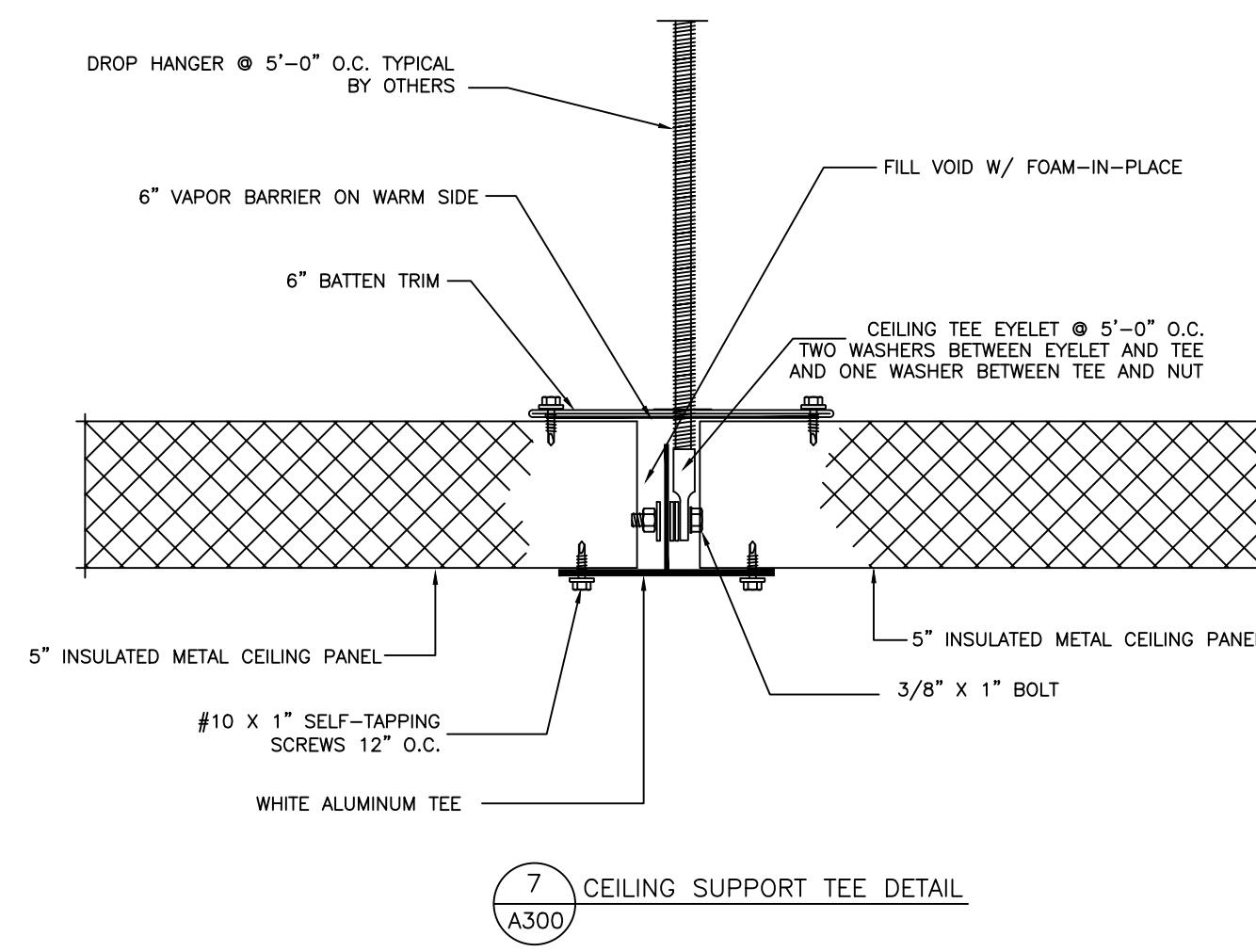
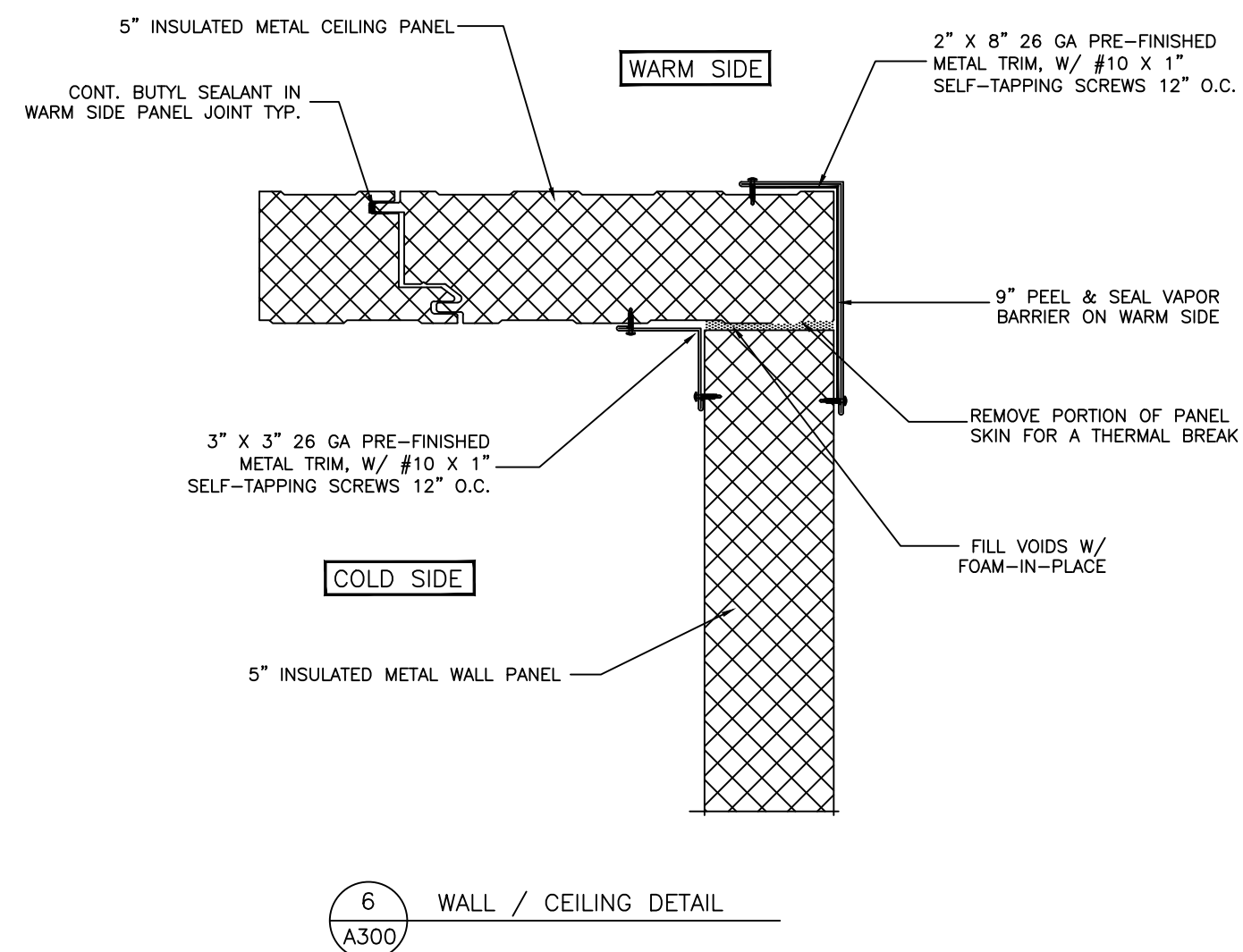
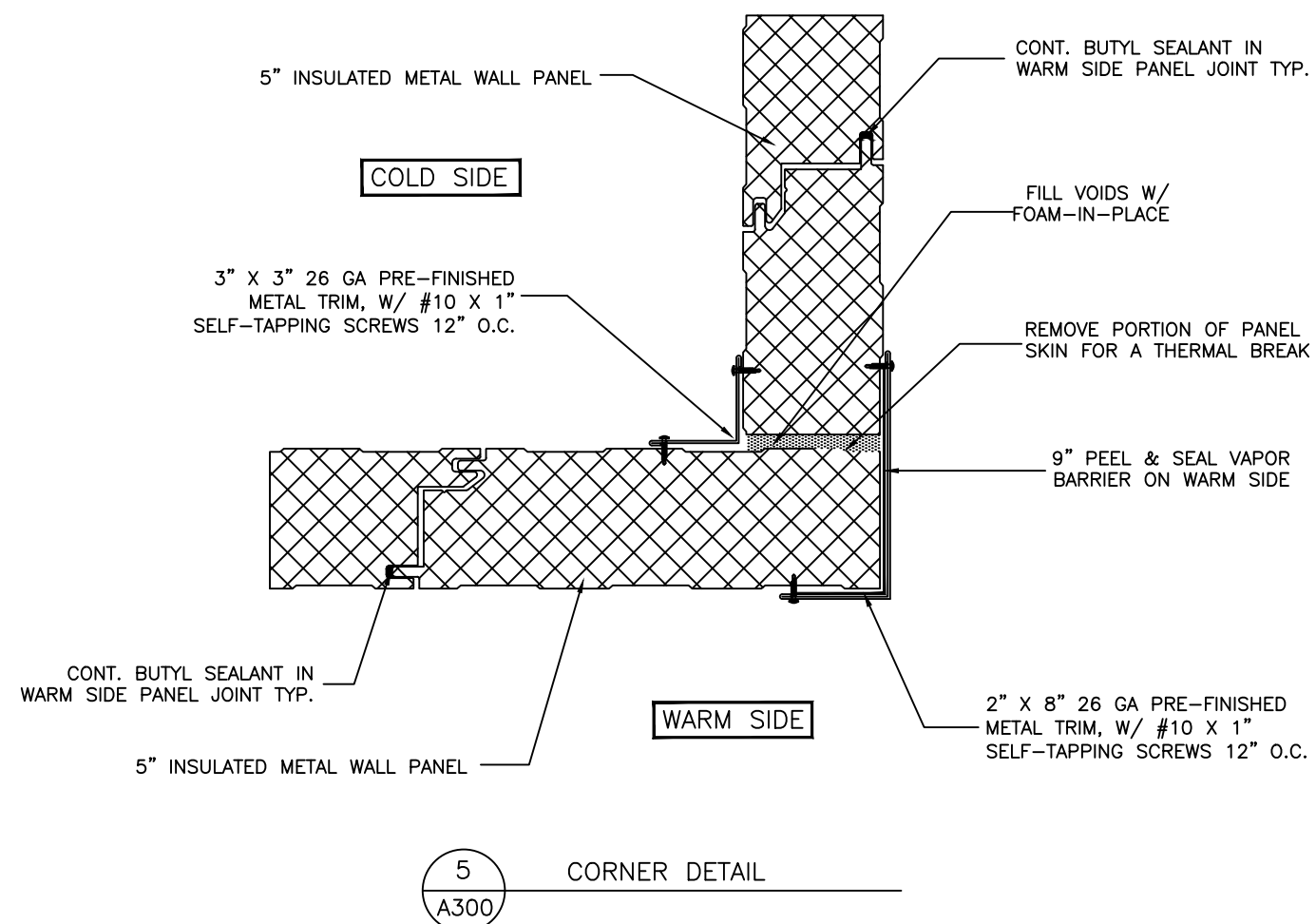
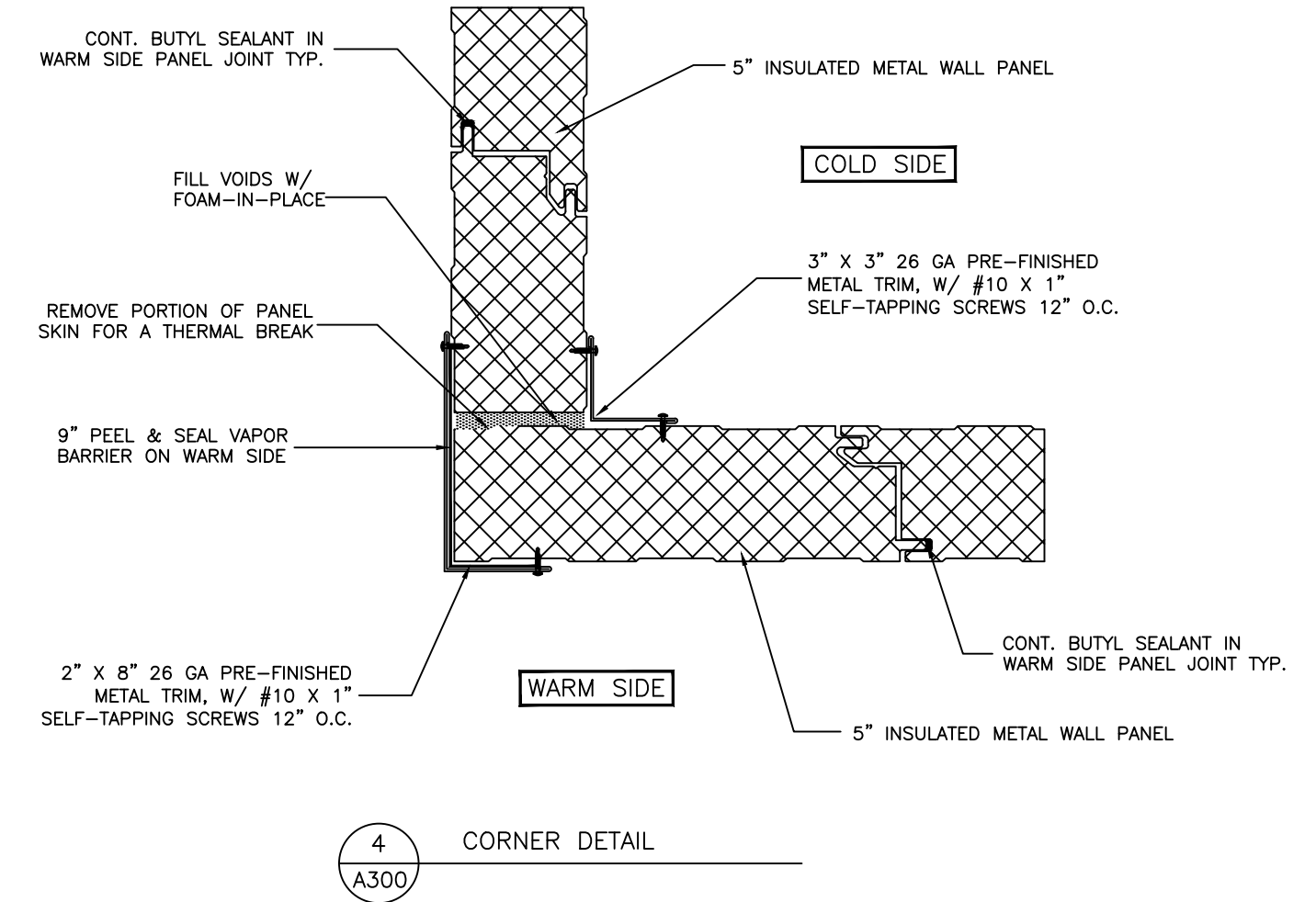
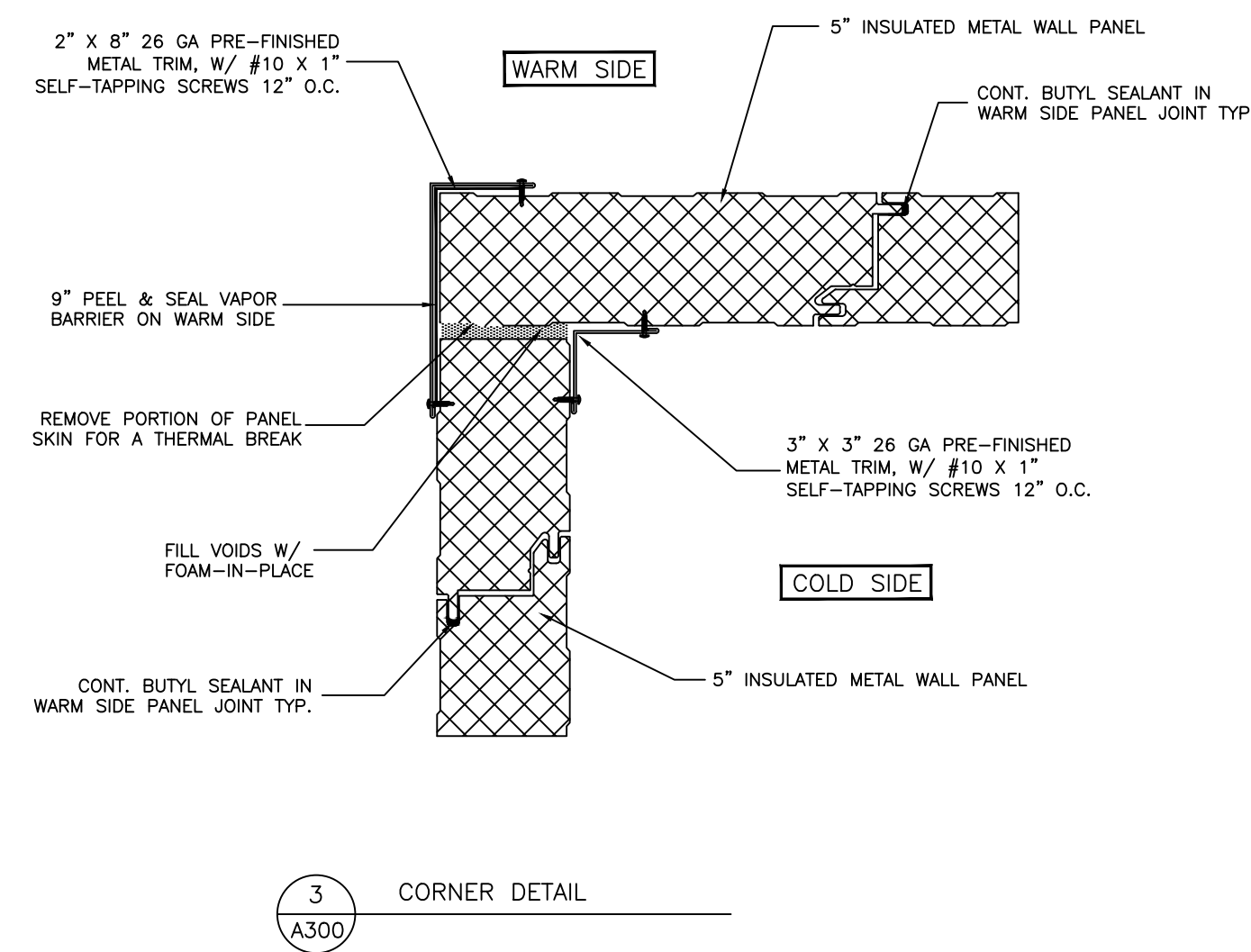
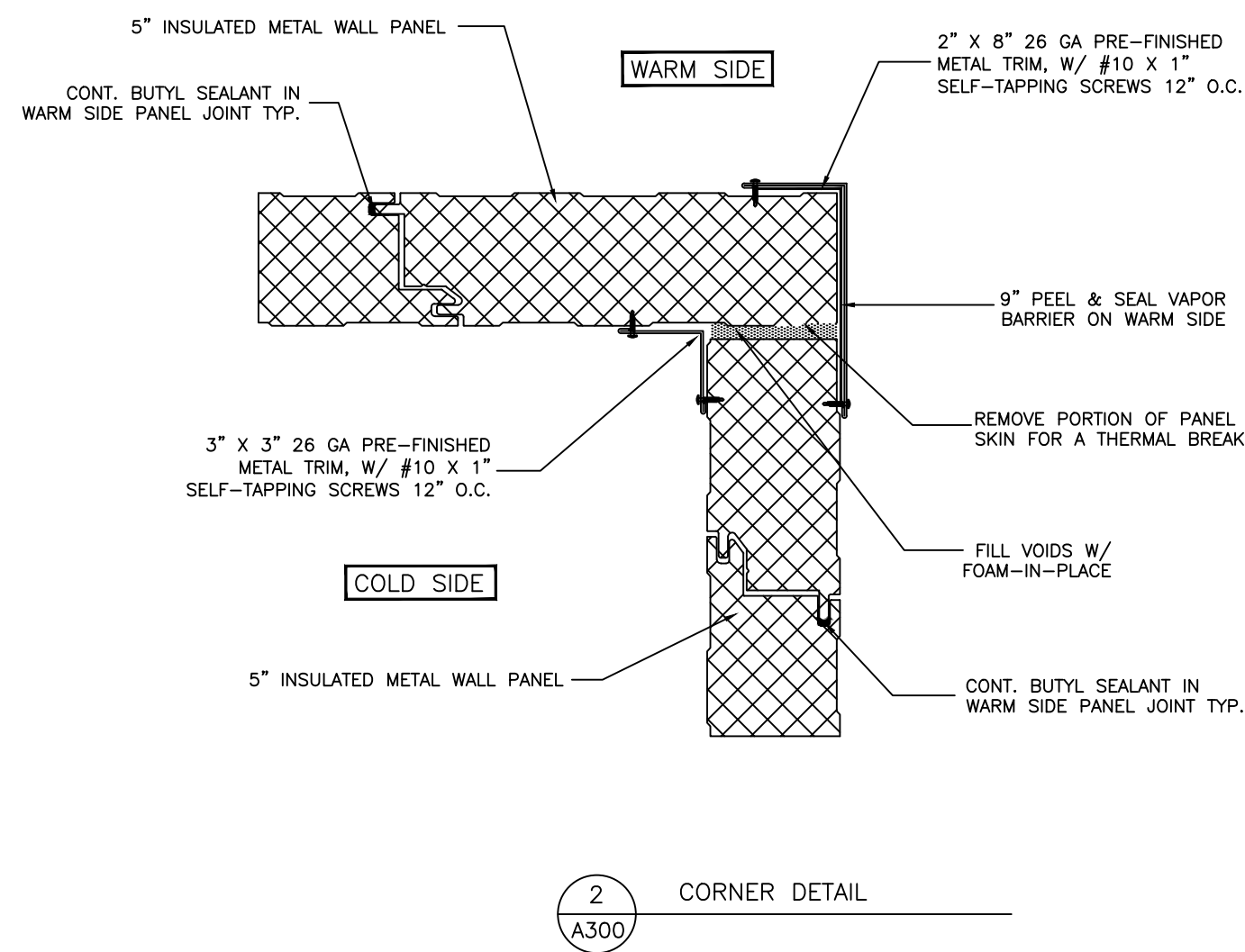
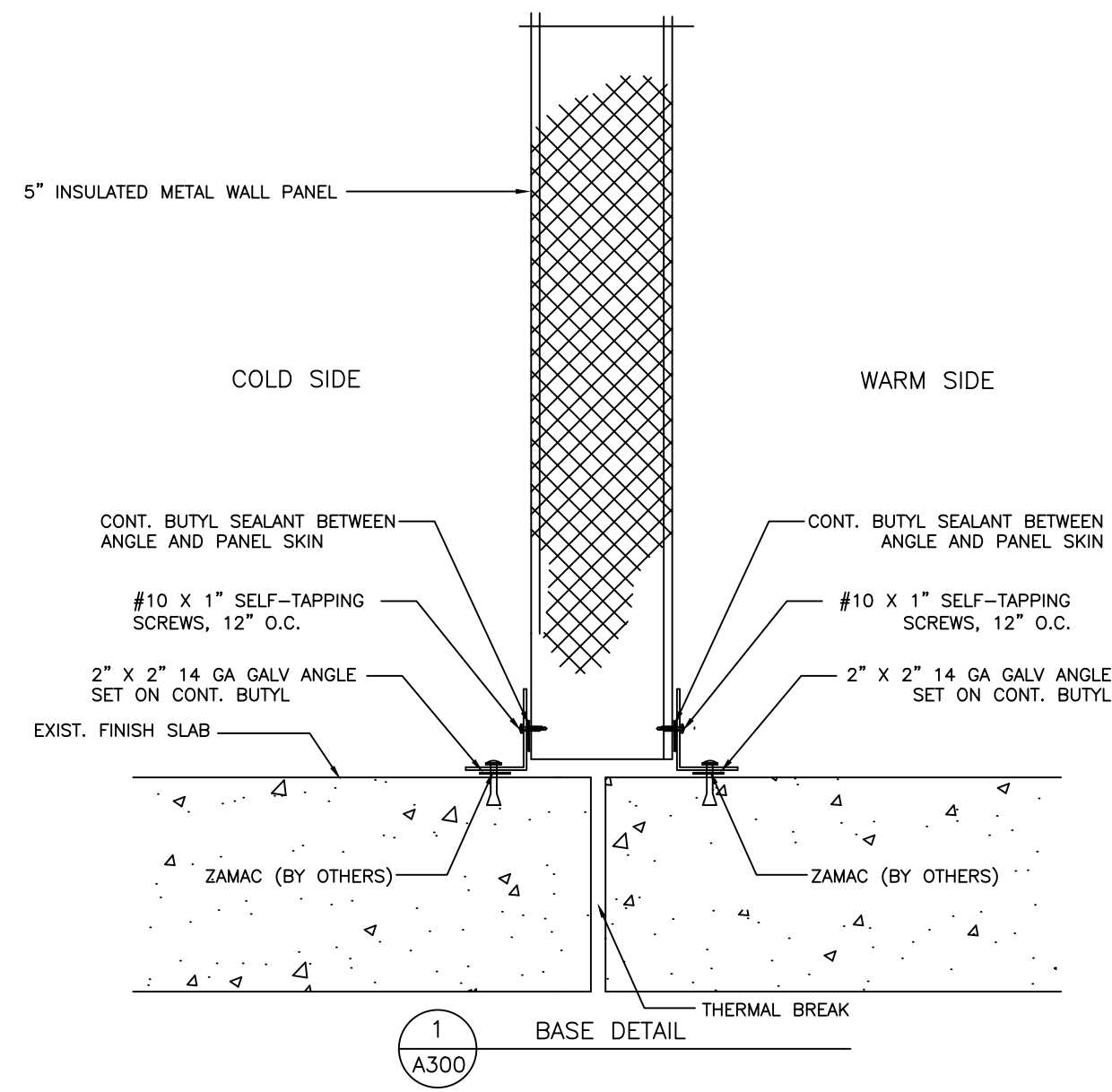
TOLERANCES UNLESS SPECIFIED
FRACTIONAL X/X" ± 1/32"
DECIMAL .XX ± .005
ANGLE ° ± .015
" ± .010
X' ± .005
X'XX' ± .005
X'XXX' ± .001

Draftsman is not responsible for panel heights, wall dimensions. Contractor to verify all information.

WALL ELEVATIONS

DR. BY: KRZ
DATE: 8/1/2023
SCALE: NTS
CHECKED BY:
SHEET NO. A200

| REVISION | DATE | BY |
|----------|------|----|
| | | |
| | | |
| | | |
| | | |
| | | |



| NO. | REVISION | BY | DATE |
|-----|----------|----|------|
| | | | |
| | | | |
| | | | |
| | | | |
| | | | |
| | | | |
| | | | |
| | | | |
| | | | |
| | | | |
| | | | |
| | | | |
| | | | |

Barr Inc.
 1423 Planeview Drive
 Oshkosh, WI 54904
 920-231-1711 Phone

25' x 40' x 10'-5"
 Drive-In Freezer

TOLERANCES UNLESS SPECIFIED

| FRACTIONAL | DECIMAL | ANGLE |
|---------------|--------------|--------------|
| X"/X" ± 1/32" | .XX ± .015 | X° ± 0'30" |
| | .XXX ± .005 | X'XX ± 0'05" |
| | .XXXX ± .001 | |

Draftsmen is not responsible for panel heights, verify all dimensions. Contractor to verify all information.

WALL DETAILS

DR.BY: KRZ
 DATE: 8/1/2023
 SCALE: NTS
 CHECKED BY:
 SHEET NO. A300