

Barr Inc.
 1423 Planeview Drive
 Oshkosh, WI 54904
 920-231-1711 Phone

25' x 40' x 16'-4"
 Drive-In Cooler

DRAWING INDEX

T.1	TITLE SHEET
A100	FLOOR/CEILING PLAN
A200	INSULATED WALL PANEL ELEVATIONS
A300	INSULATED WALL PANEL DETAILS

TOLERANCES UNLESS SPECIFIED FRACTIONAL X/8" ± 1/32" DECIMAL .XX ± .015 .XXX ± .005 .XXXX ± .001 ANGLE X' ± 0'30" XXX' ± 0'05"		Draftsman is not responsible for panel heights, quantities and/or dimensions. Contractor to verify all information.
TITLE		
DR. BY: KRZ		Barr Inc. 1423 Planeview Drive Oshkosh, WI 54904 920-231-1711 Phone
DATE: 10/13/2022		
SCALE: NTS		
CHECKED BY:		
SHEET NO. T.1		
		REVISION
		BY
		DATE

NO.	REVISION	DATE	BY

Barr Inc.
 1423 Planeview Drive
 Oshkosh, WI 54904
 920-231-1711 Phone

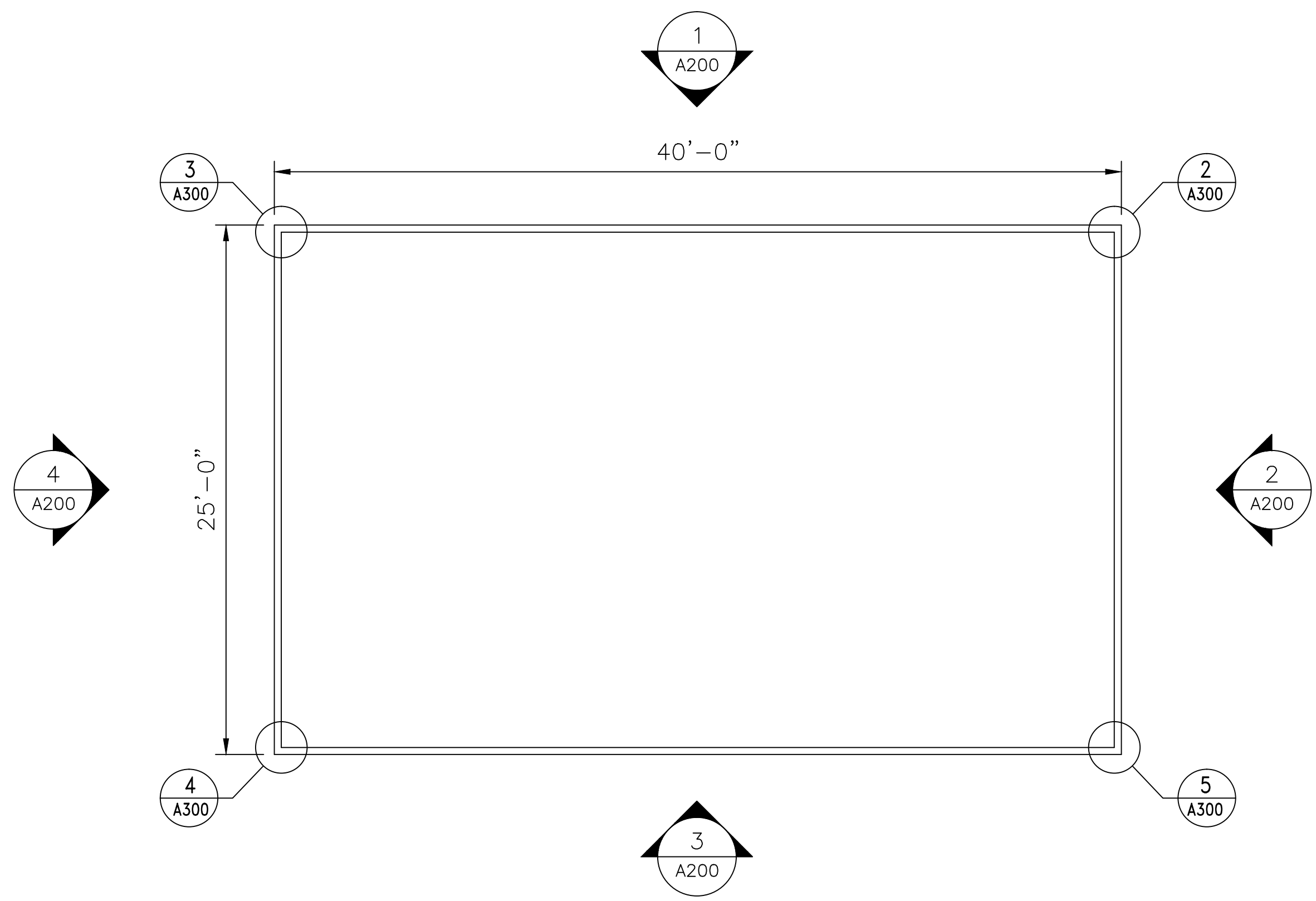
25' x 40' x 16'-4"
 Drive-In Cooler

TOLERANCES UNLESS SPECIFIED
 FRACTIONAL DECIMAL .015 X° ± 0°30'
 X/X" ± 1/32" .XX ± .005 X'X' ± 0°05'
 .XXX ± .001 .XXXX ± .001

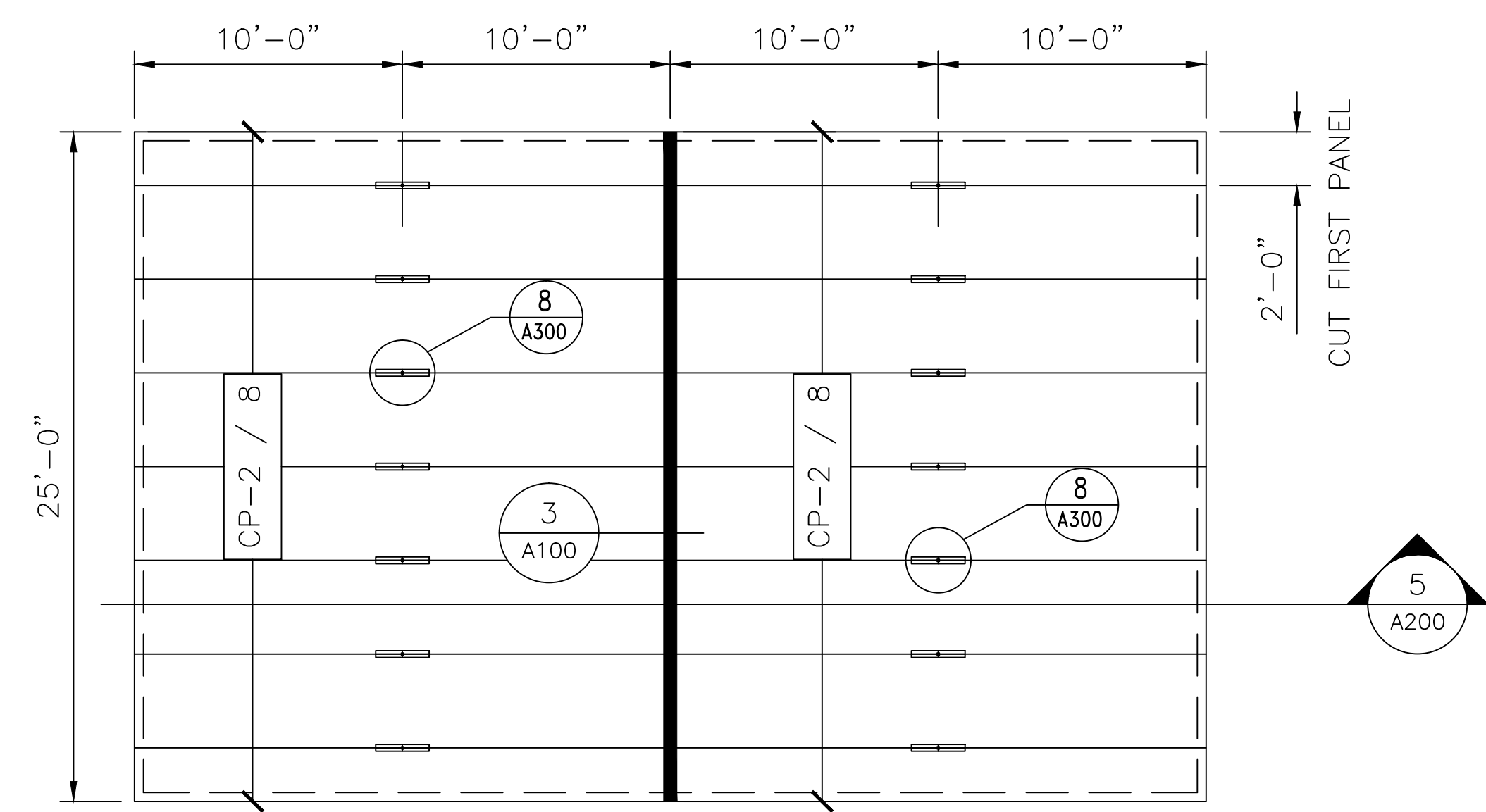
Draftsman is not responsible for panel heights, quantities and/or dimensions. Contractor to verify all information.

FLOOR PLAN

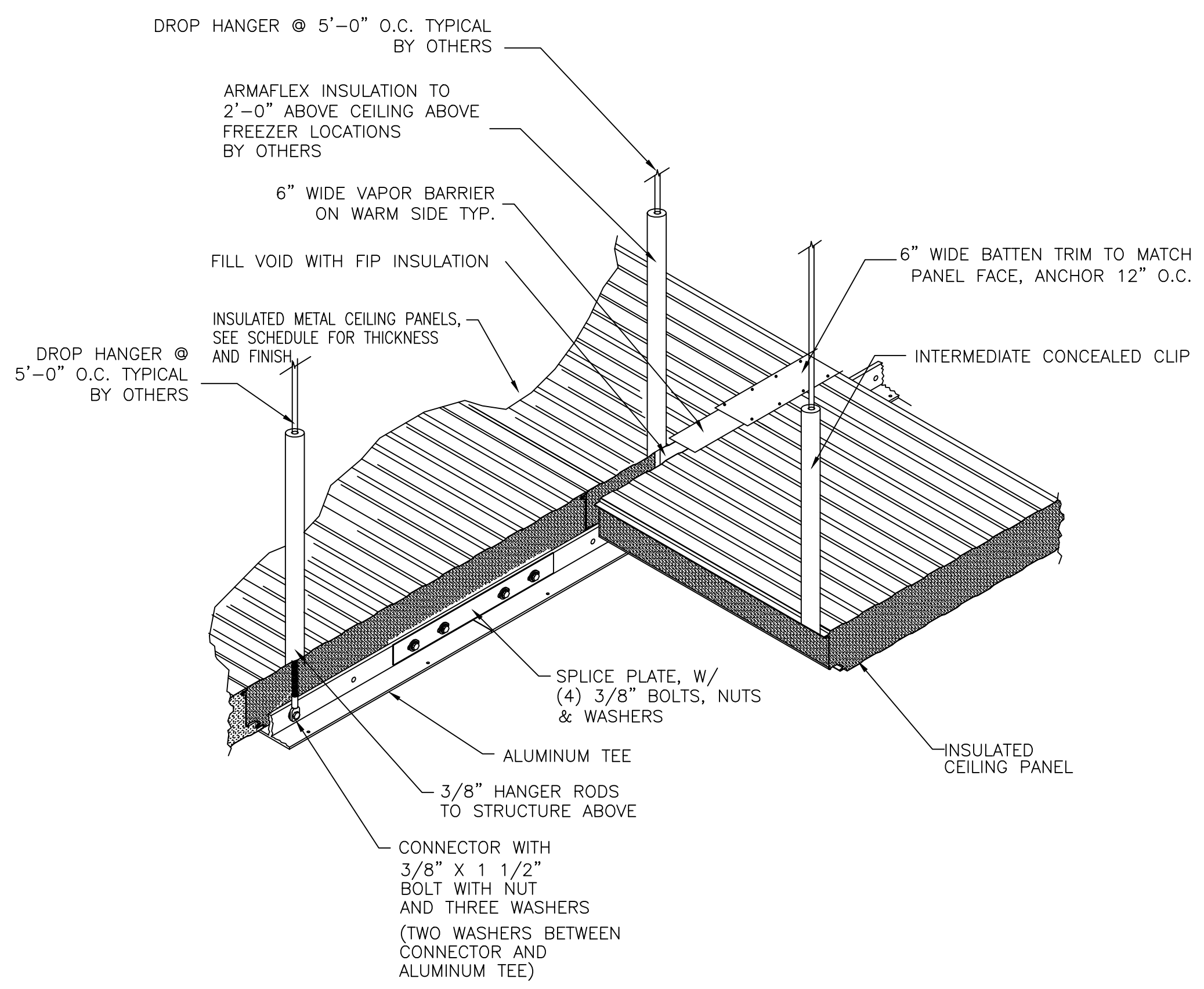
DR. BY: KRZ
 DATE: 10/13/2022
 SCALE: NTS
 CHECKED BY:
 SHEET NO. A100



1 FLOOR PLAN
 A100 SCALE: N.T.S.



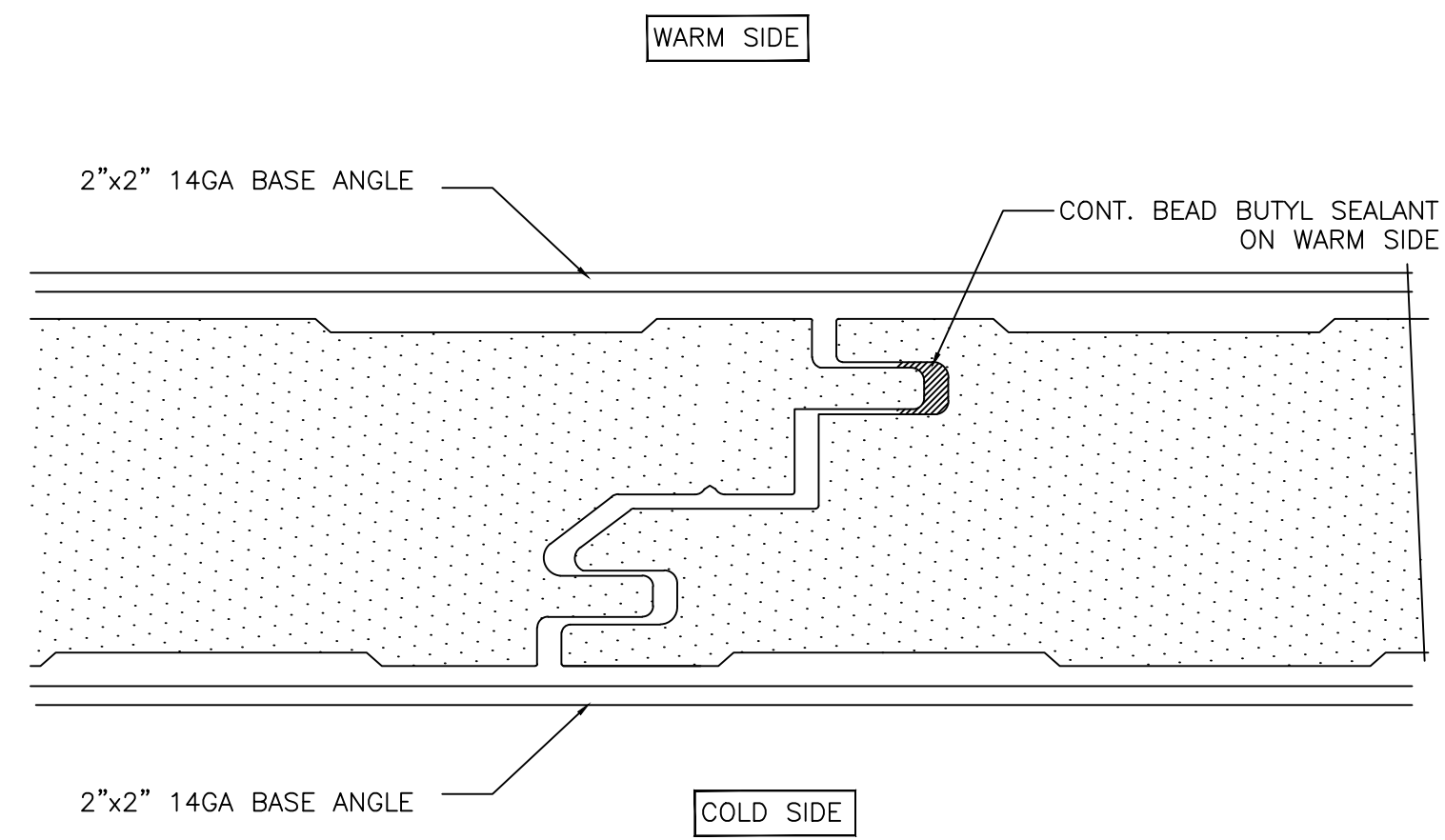
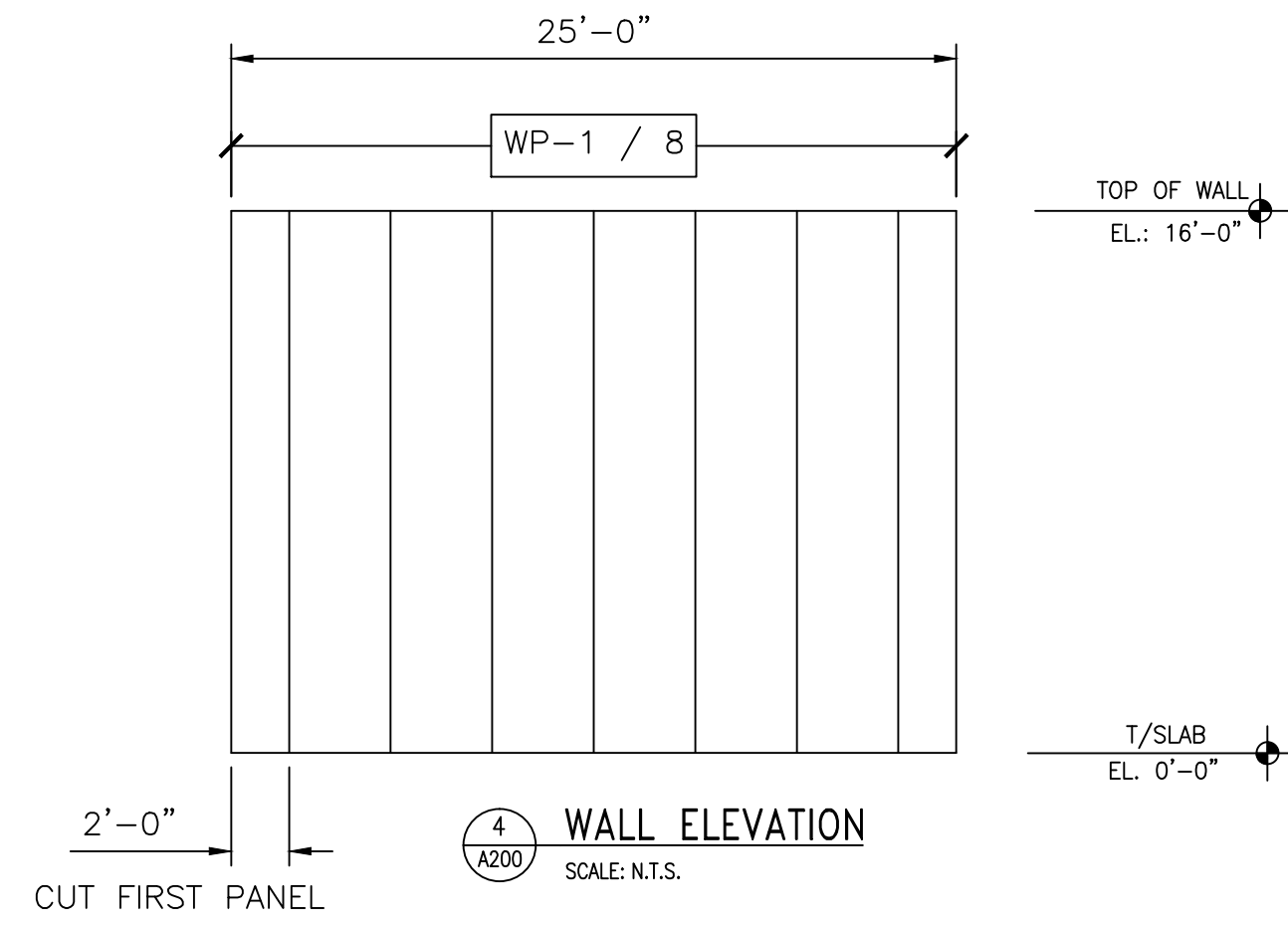
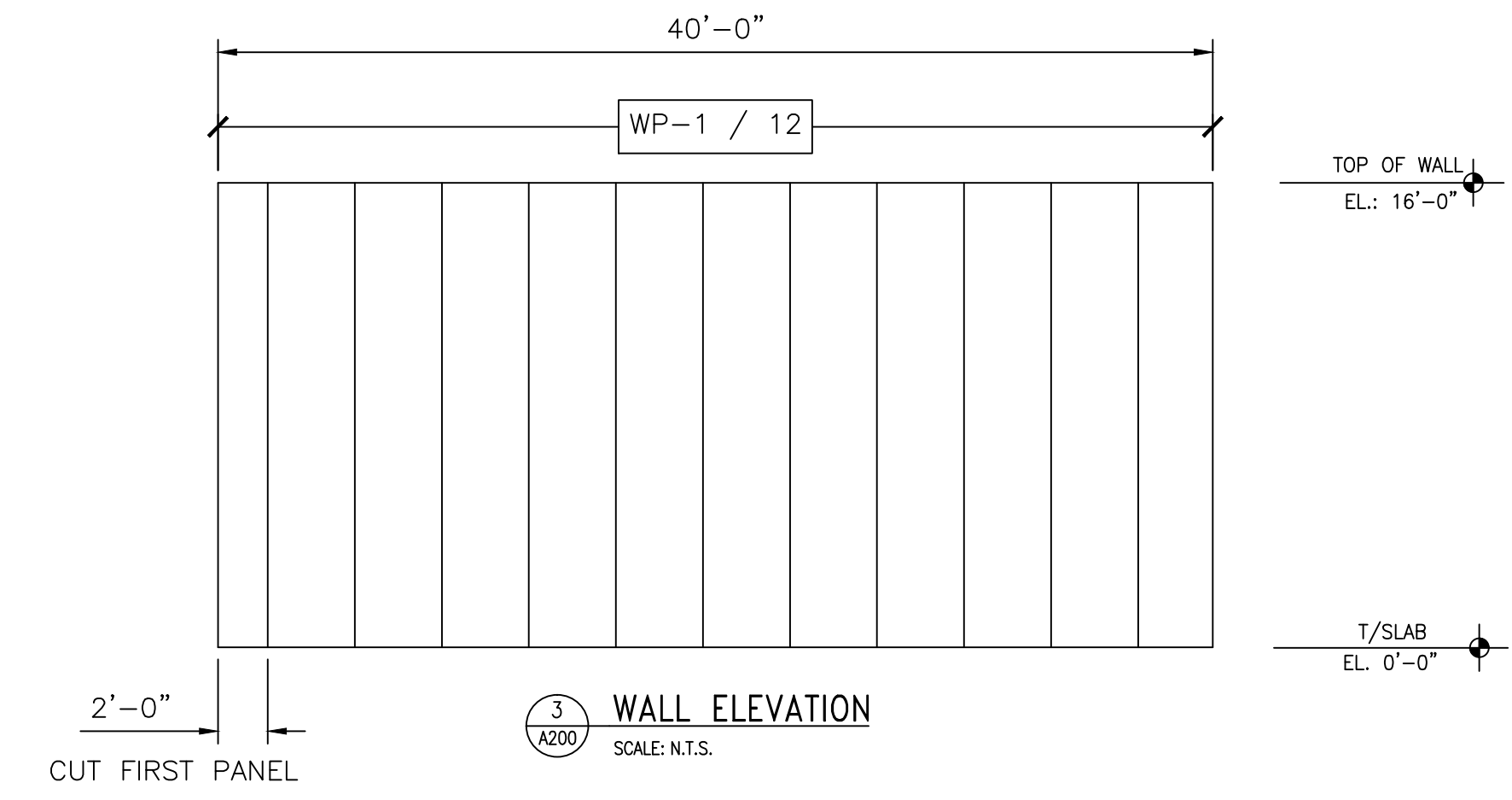
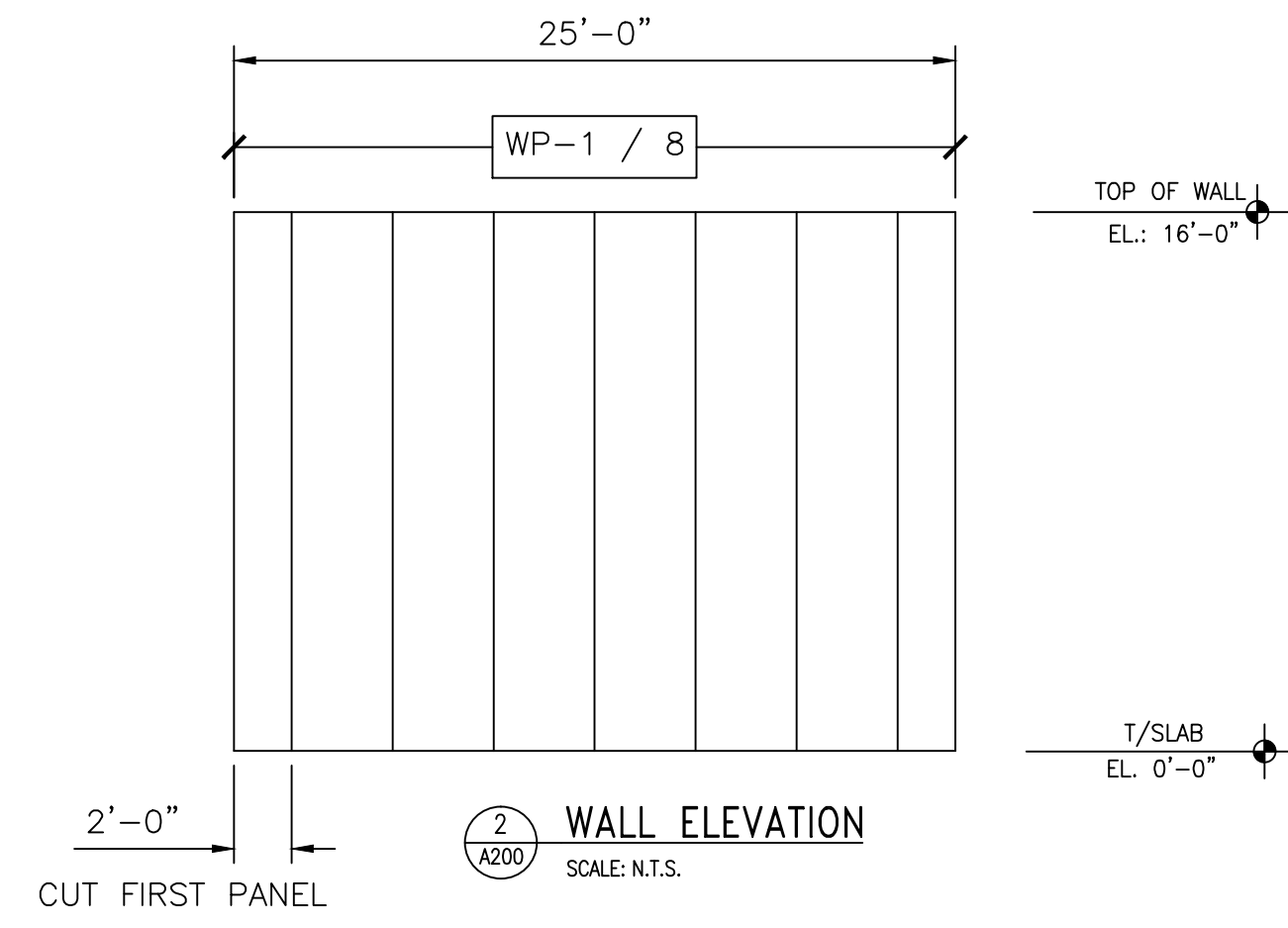
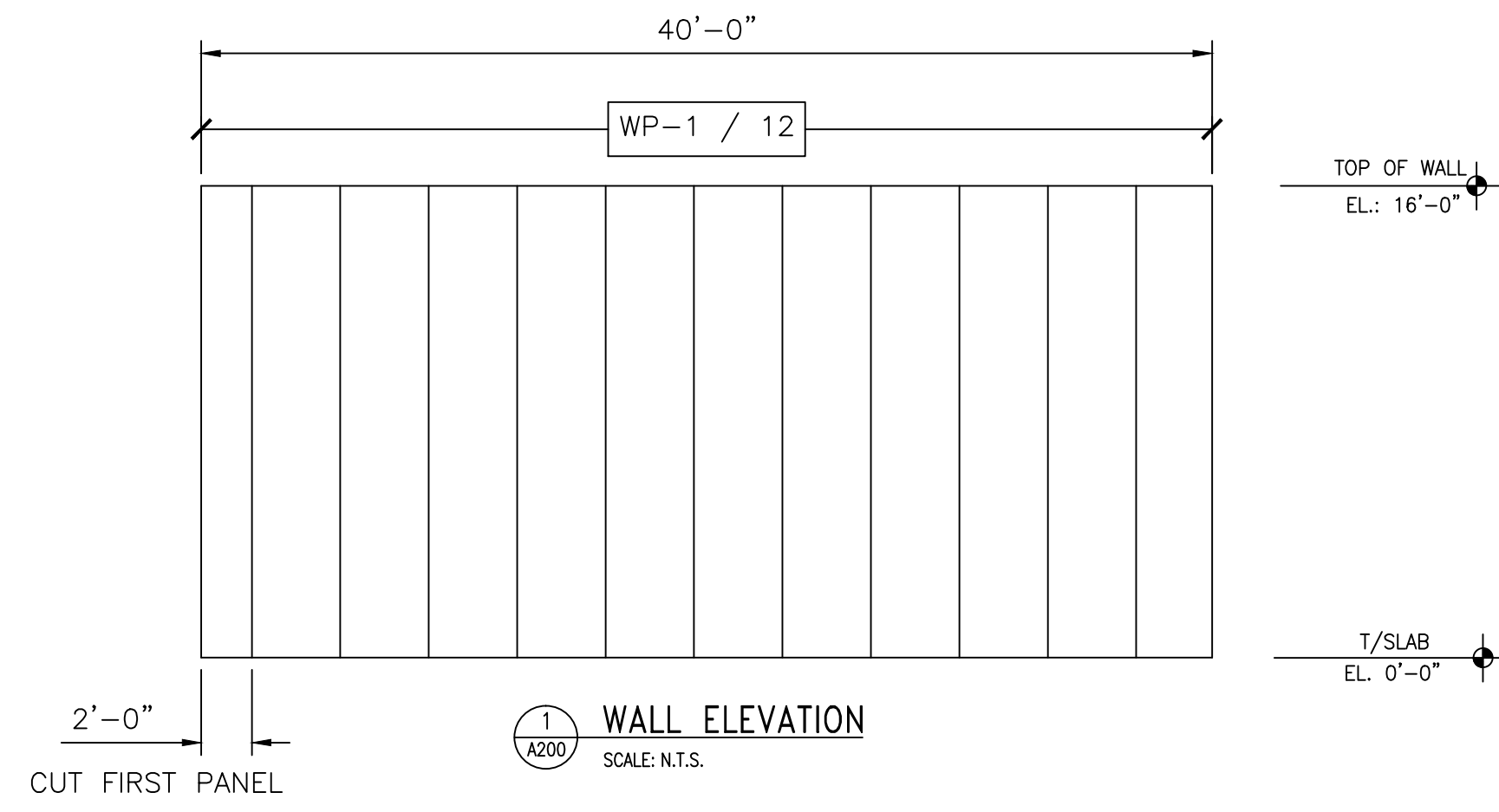
2 CEILING PLAN
 A100 SCALE: N.T.S.



3 CEILING TEE DETAIL
 A100 SCALE: N.T.S.

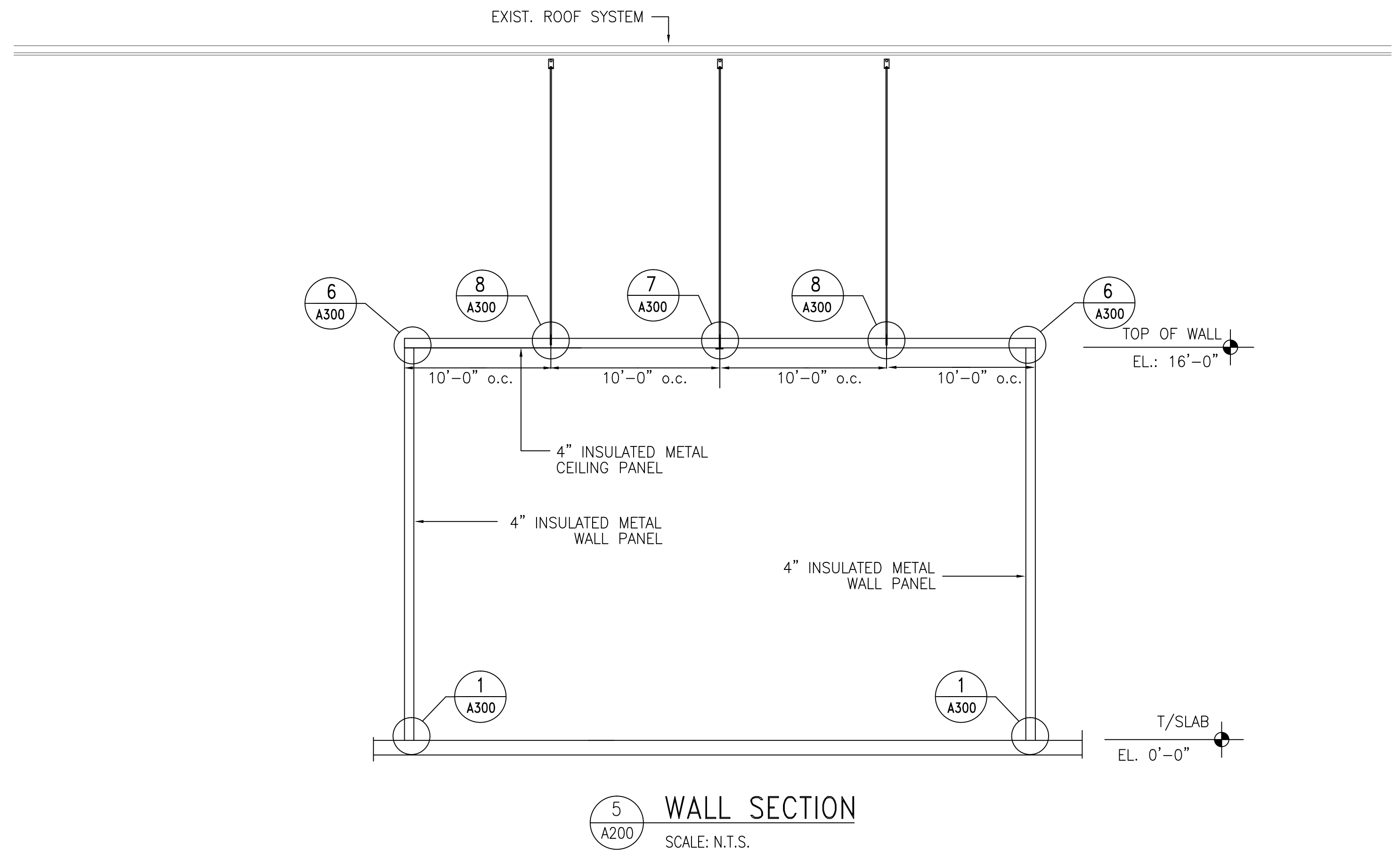
PANEL SCHEDULE

PANEL DESIG.	PANEL HEIGHT	QTY OF PANELS	PANEL THICK	PANEL SERIES	PANEL COLOR
WP-1	16'-0"	40	4"	MESALINE	USDA WHITE
CP-2	20'-0"	16	4"	MESALINE	USDA WHITE

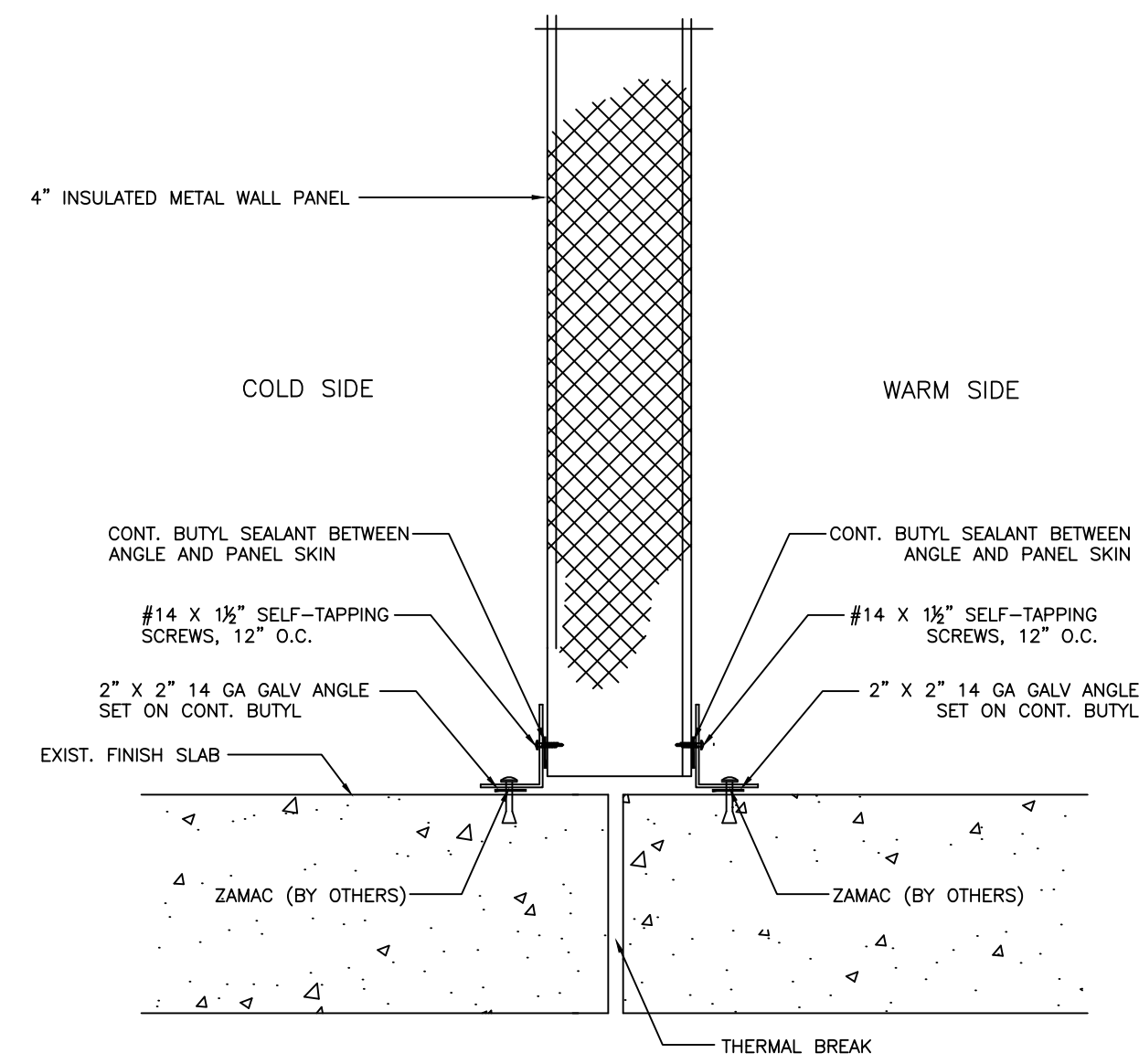


PANEL SCHEDULE

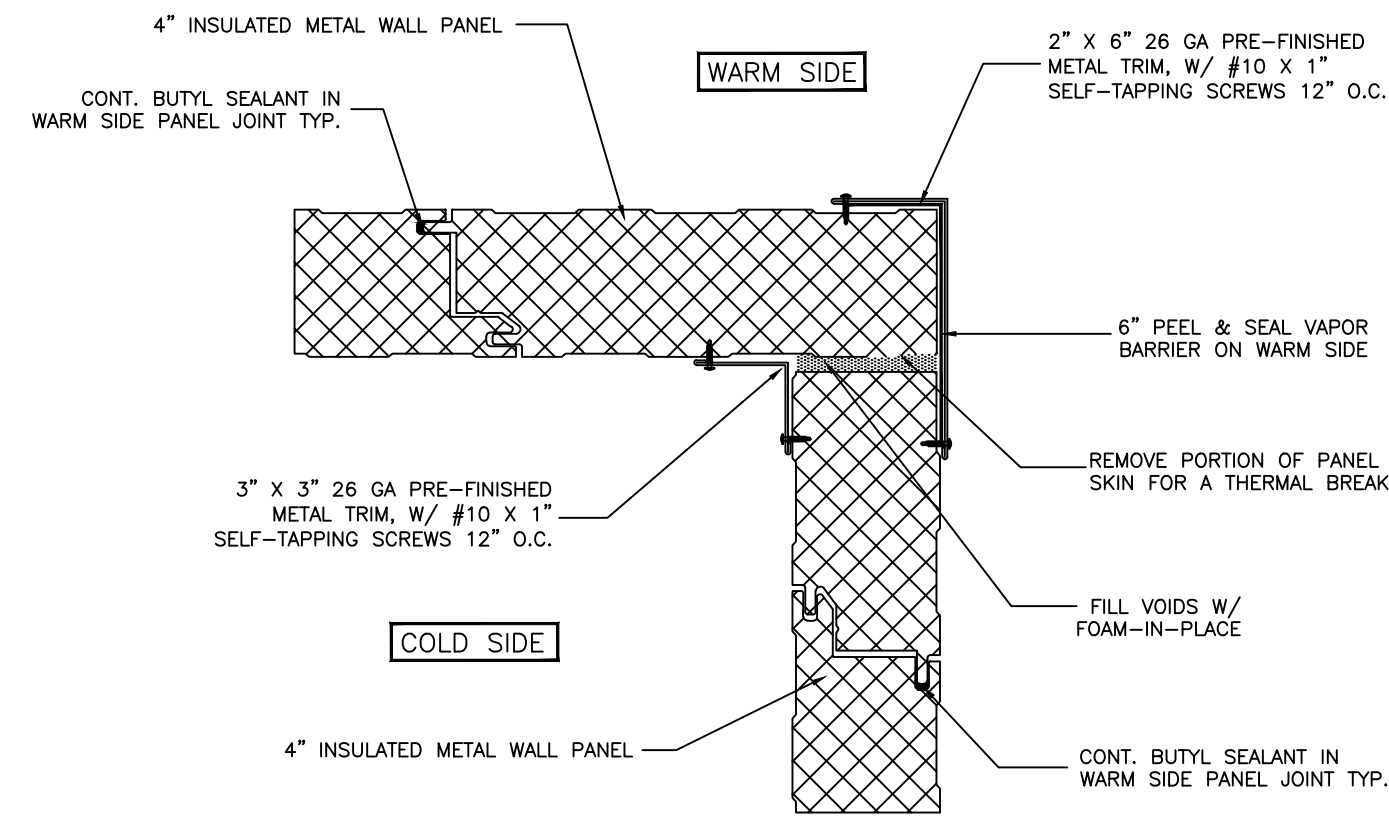
PANEL DESIG.	PANEL HEIGHT	QTY. OF PANELS	PANEL THICK	PANEL SERIES	PANEL COLOR
WP-1	16'-0"	40	4"	MESALINE	USDA WHITE
CP-2	20'-0"	16	4"	MESALINE	USDA WHITE



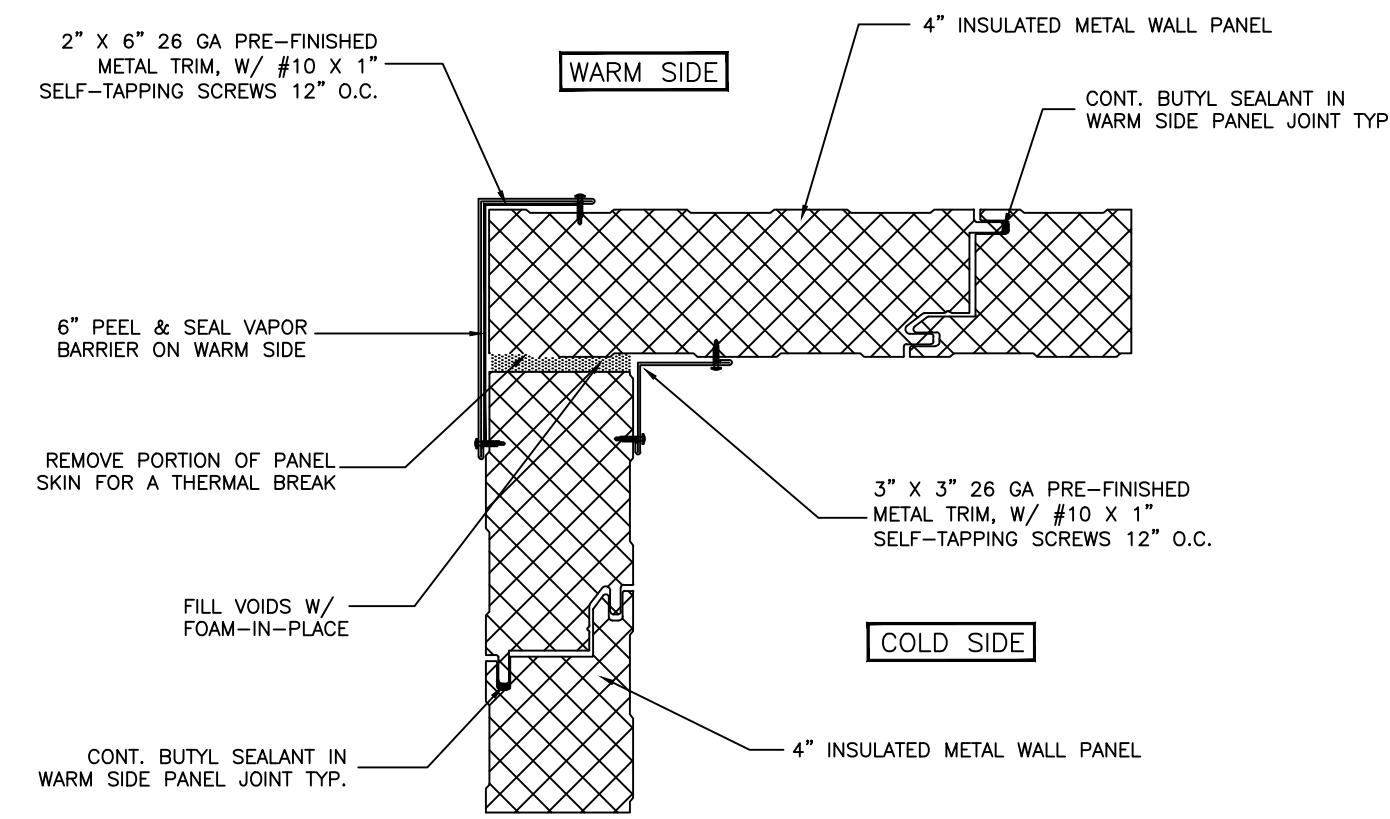
<p>Barr Inc. 1423 Planeview Drive Oshkosh, WI 54904 920-231-1711 Phone</p>	<p>25' x 40' x 16'-4" Drive-In Cooler</p>
<p>TOLERANCES UNLESS SPECIFIED FRACTIONAL ± 1/32" DECIMAL ± .015" ANGLES ± 0°30' X/X" ± .005" XXX ± .005" XXXX ± .001"</p>	
<p>WALL ELEVATIONS</p>	
<p>DR. BY: KRZ DATE: 10/13/2022 SCALE: NTS CHECKED BY: SHEET NO. A200</p>	
	<p>REVISION BY DATE</p>



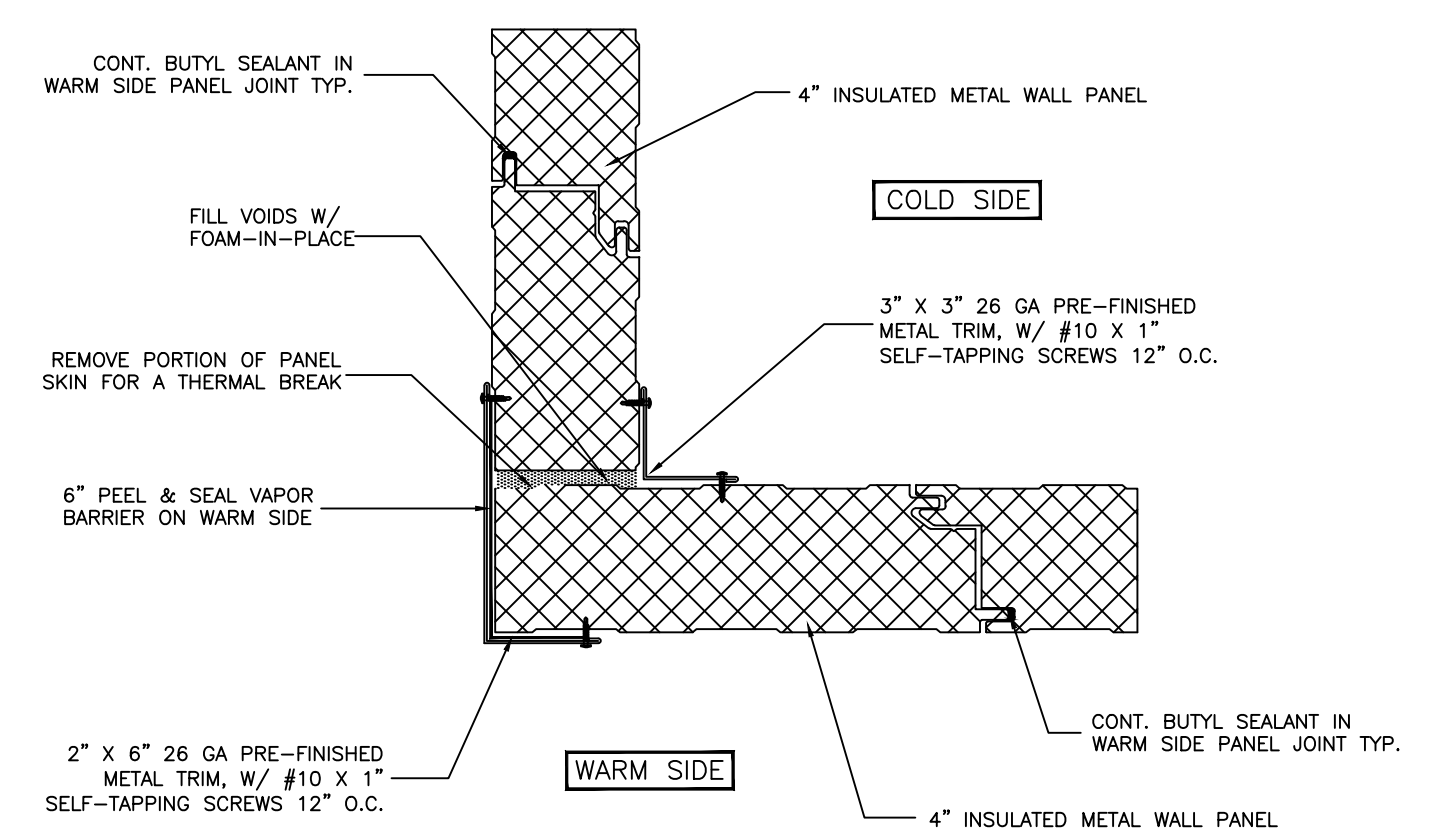
1 BASE DETAIL
A300



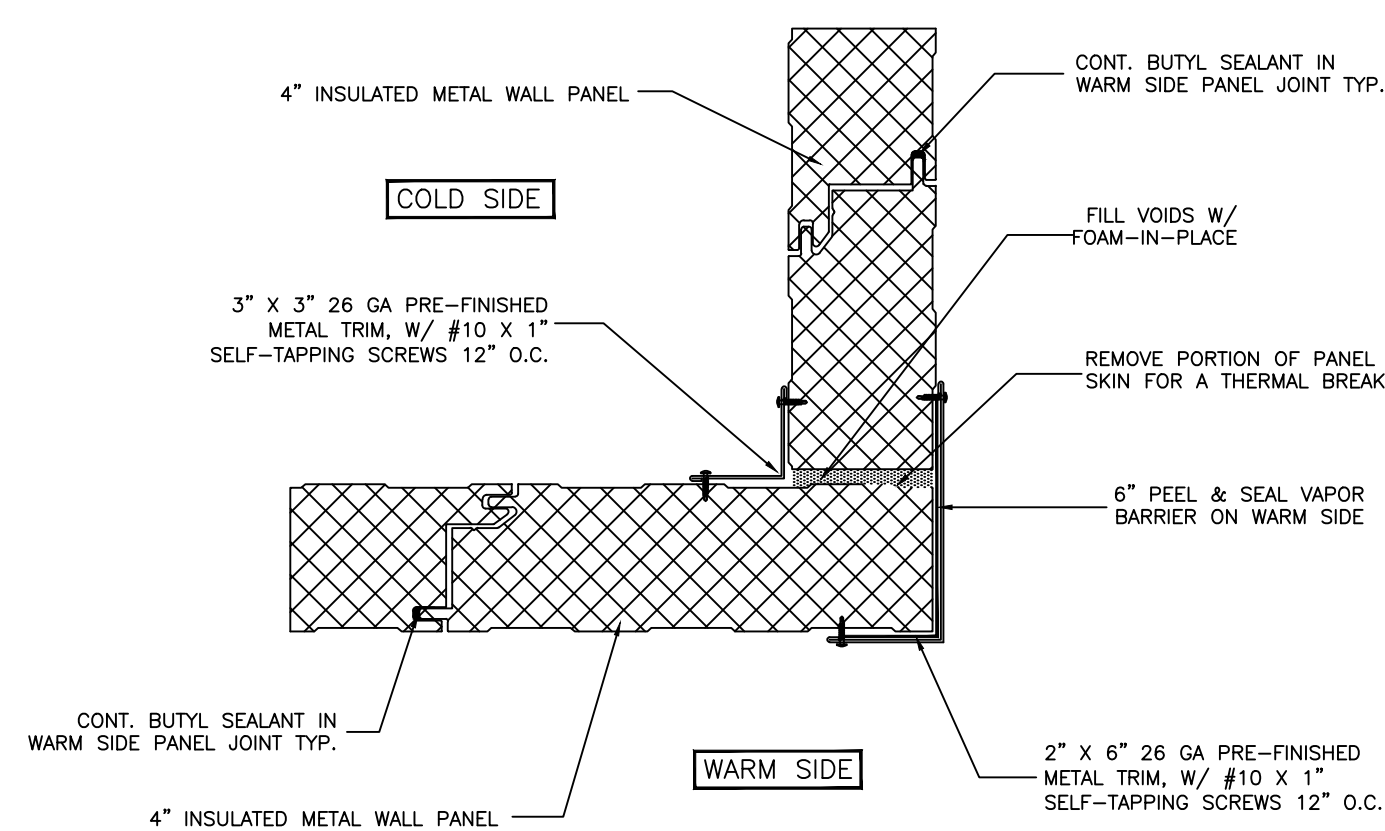
2 CORNER DETAIL
A300



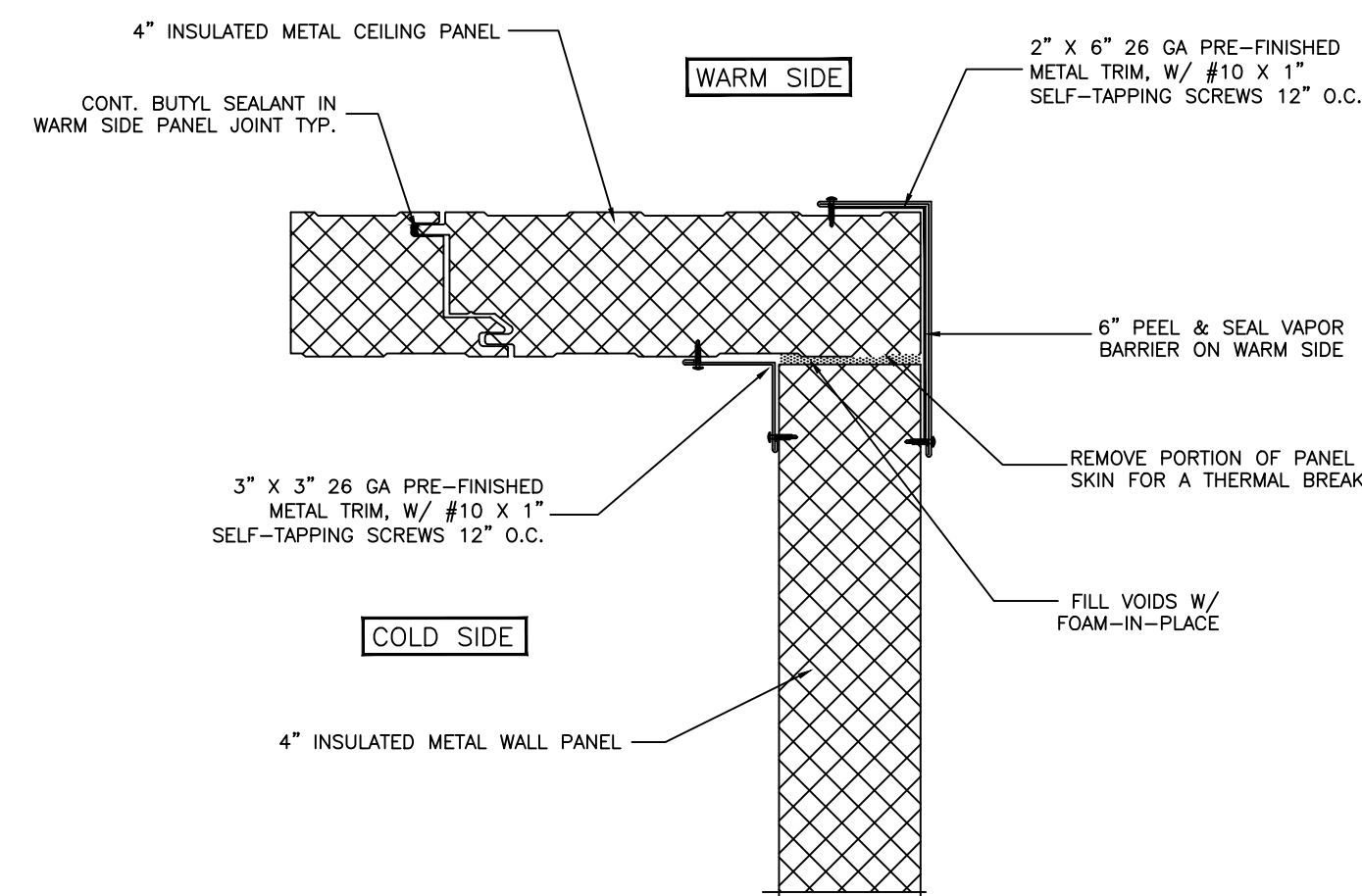
3 CORNER DETAIL
A300



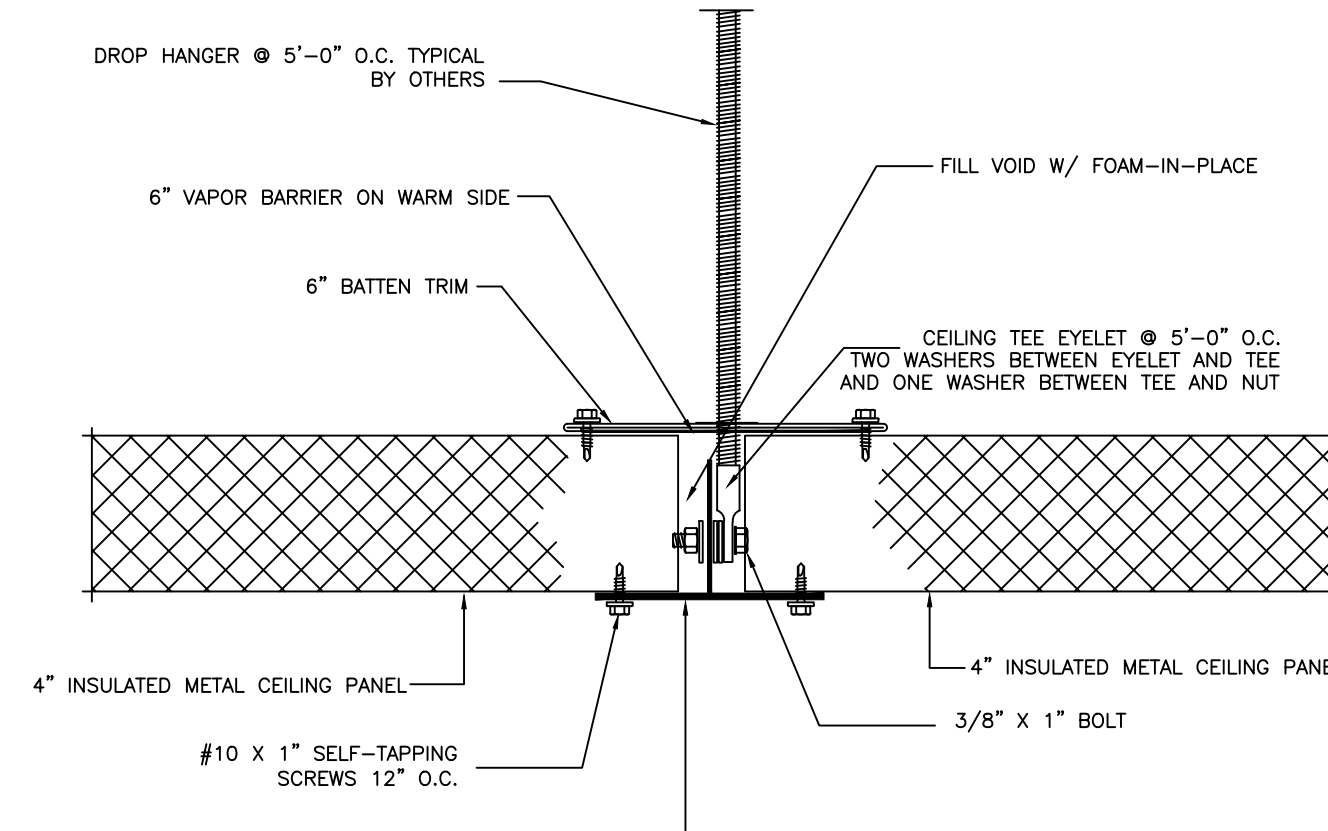
4 CORNER DETAIL
A300



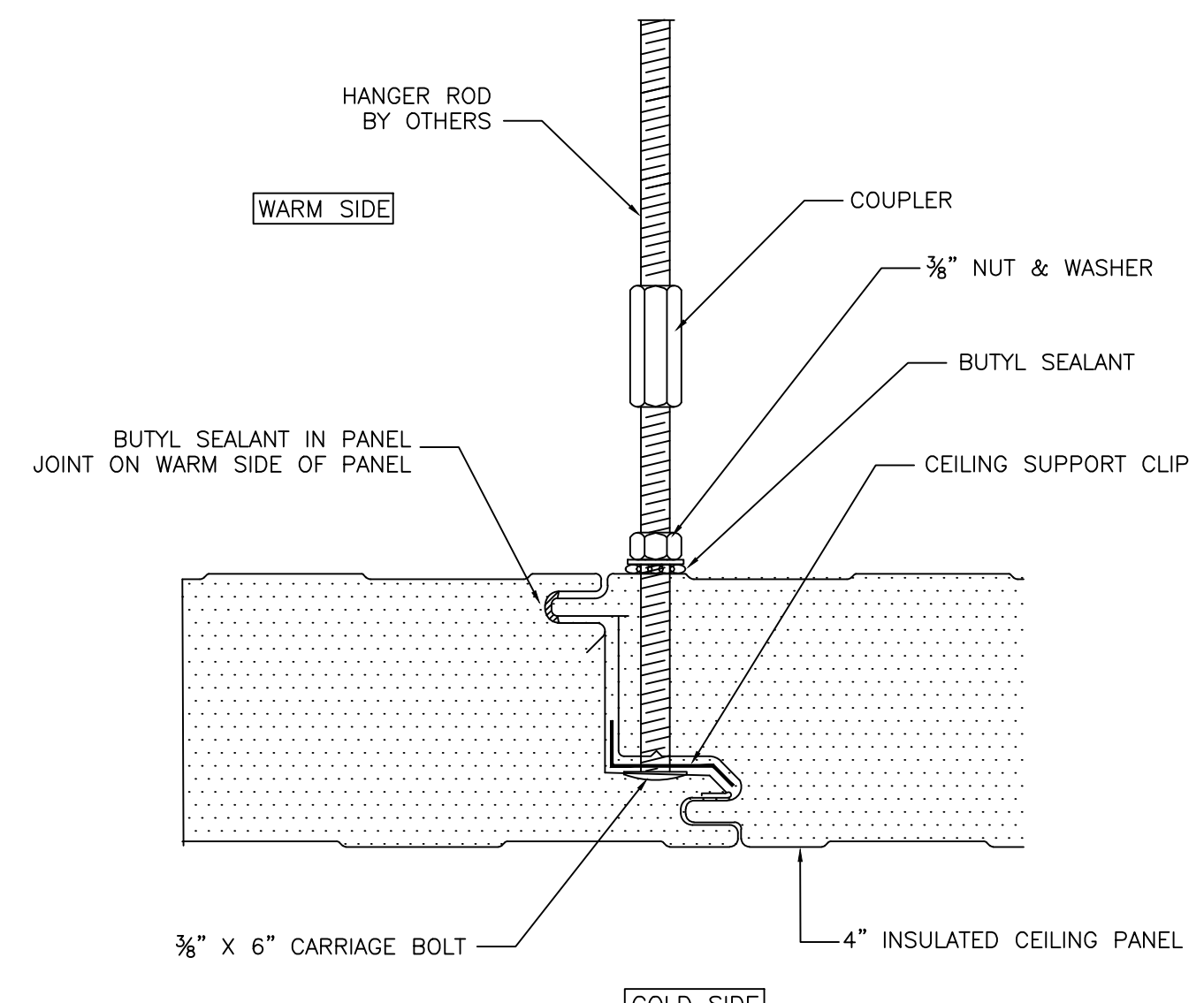
5 CORNER DETAIL
A300



6 WALL / CEILING DETAIL
A300



7 CEILING TEE DETAIL
A300



8 INTERMEDIATE CEILING SUPPORT
A300

NO.	REVISION	DATE	BY

Barr Inc.
1423 Planeview Drive
Oshkosh, WI 54904
920-231-1711 Phone

25' x 40' x 16'-4"
Drive-In Cooler

TOLERANCES UNLESS SPECIFIED
FRACTIONAL DECIMAL .015 X' ANGLE
X/X" ± 1/32" .XXX ± .005 X'X' ± 0'05"
.XXXX ± .001

Draftsman is not responsible for panel heights, quantities and/or dimensions. Contractor to verify all information.

WALL DETAILS

DR. BY: KRZ
DATE: 10/13/2022
SCALE: NTS
CHECKED BY:
SHEET NO. A300