

Barr Inc.  
 1423 Planeview Drive  
 Oshkosh, WI 54904  
 920-231-1711 Phone

25' x 40' x 12'-4"  
 Drive-In Cooler

DRAWING INDEX

T.1	TITLE SHEET
A100	FLOOR/CEILING PLAN
A200	INSULATED WALL PANEL ELEVATIONS
A300	INSULATED WALL PANEL DETAILS

REVISION	BY	DATE

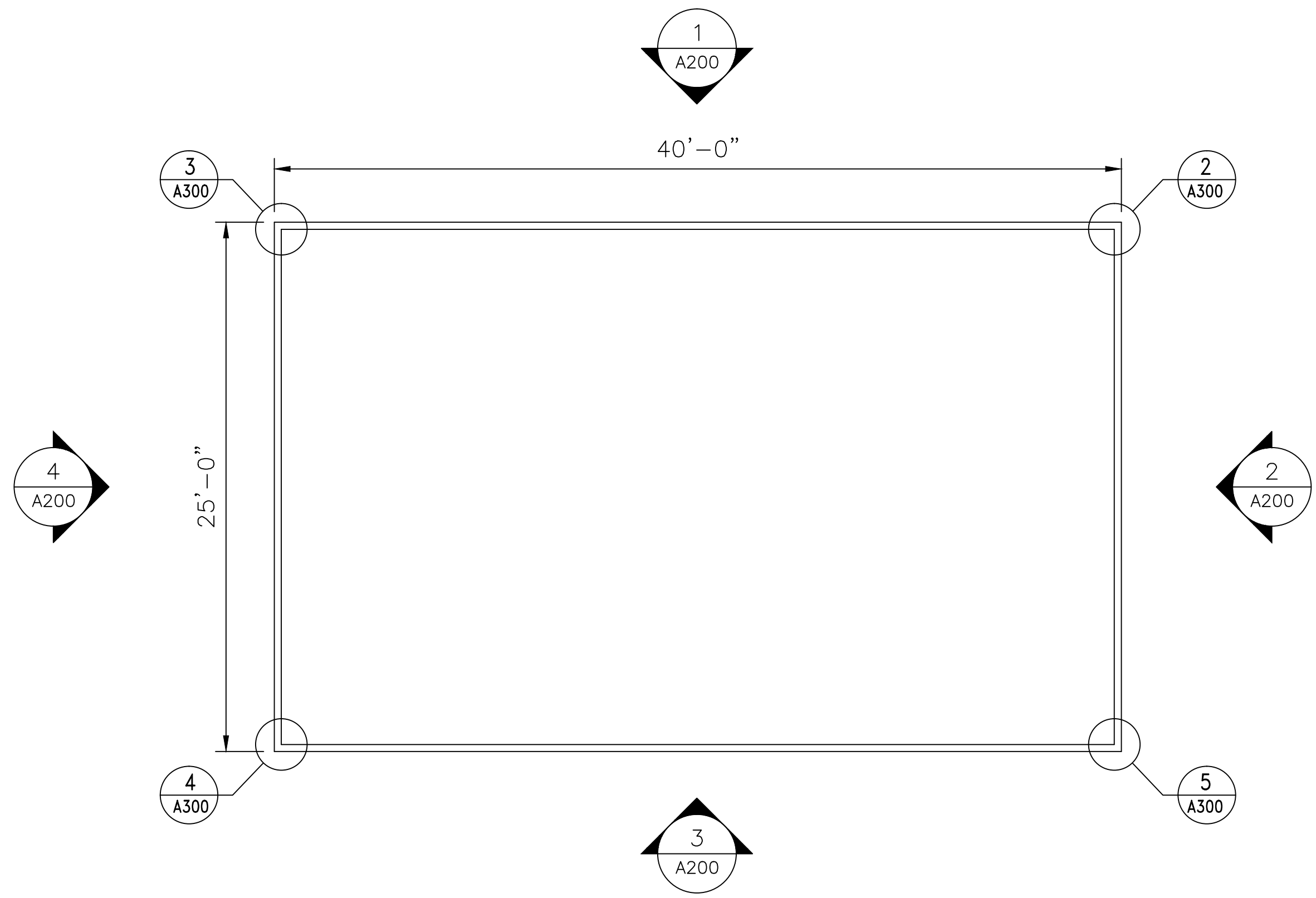
Barr Inc.  
 1423 Planeview Drive  
 Oshkosh, WI 54904  
 920-231-1711 Phone

25' x 40' x 12'-4"  
 Drive-In Cooler

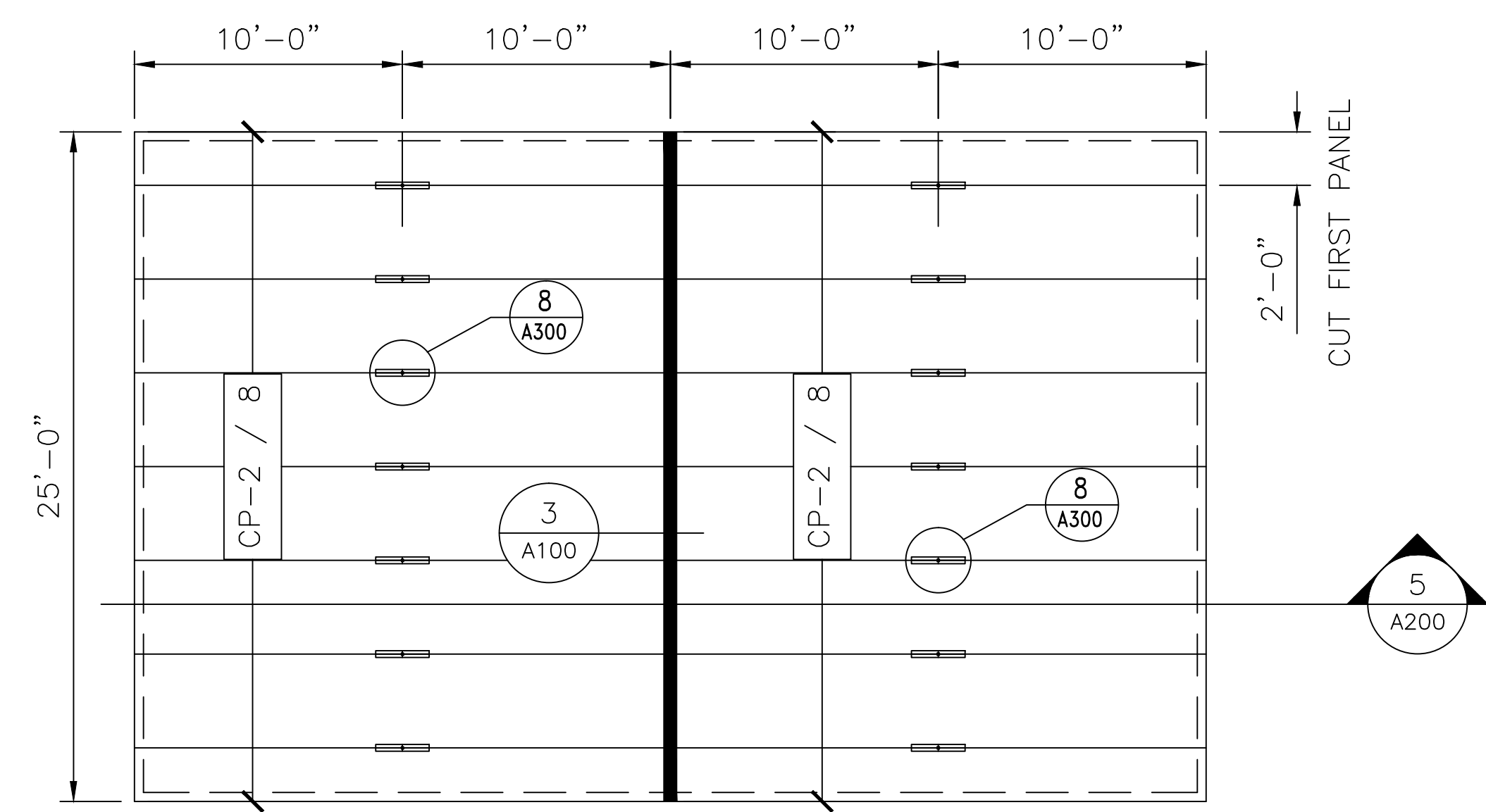
TOLERANCES UNLESS SPECIFIED  
 FRACTIONAL X/8" ± 1/32"  
 DECIMAL .XX ± .015  
 .XXX ± .005  
 .XXXX ± .001  
 ANGLE X' ± 0'30"  
 XXX' ± 0'05"  
 XXXX ± .001  
 Draftsman is not responsible for panel heights, quantities and / or dimensions. Contractor to verify all information.

TITLE

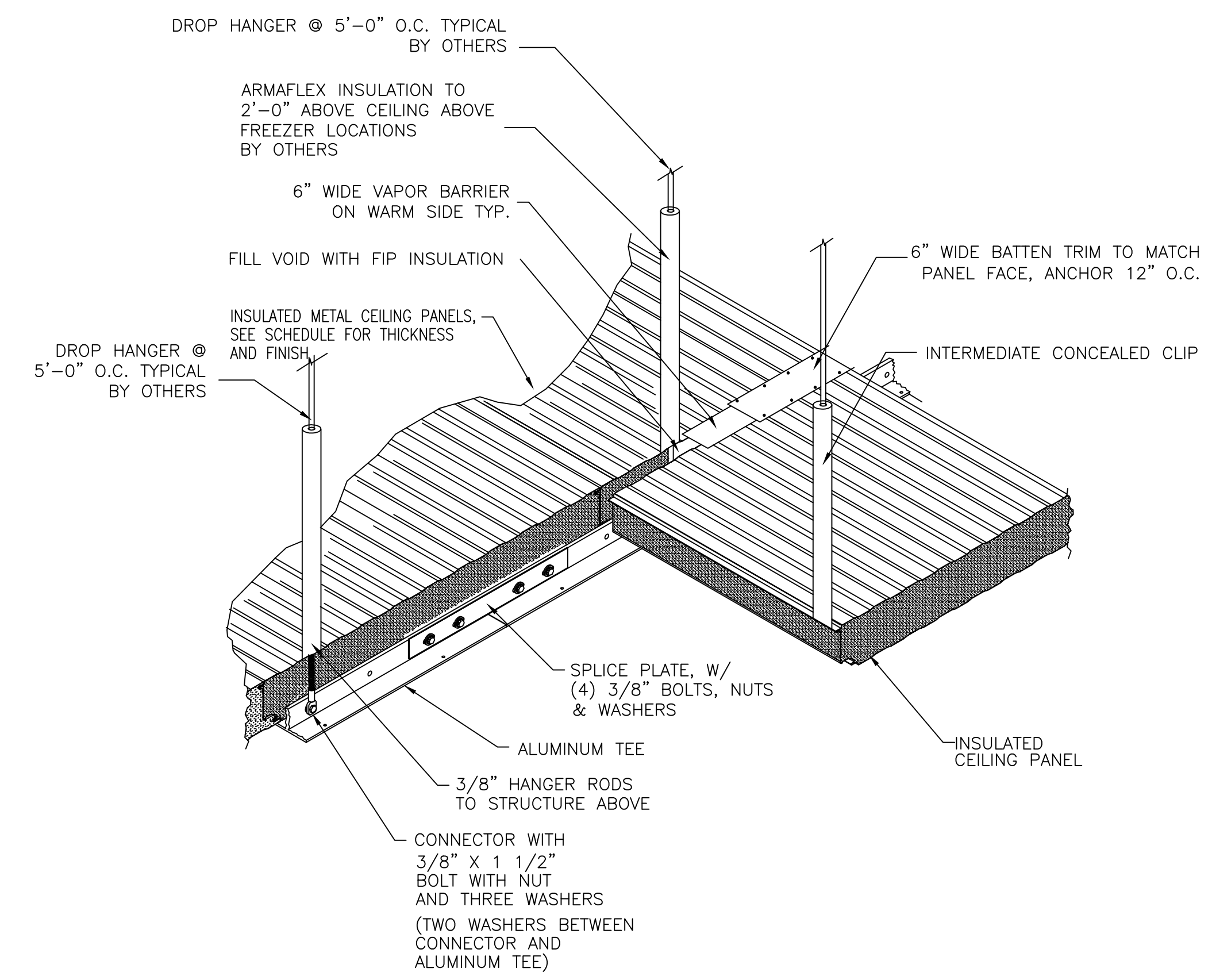
DR.BY: KRZ  
 DATE: 10/13/2022  
 SCALE: NTS  
 CHECKED BY:  
 SHEET NO. T.1



1 FLOOR PLAN  
A100 SCALE: N.T.S.



2 CEILING PLAN  
A100 SCALE: N.T.S.



3 CEILING TEE DETAIL  
A100 SCALE: N.T.S.

PANEL SCHEDULE

PANEL DESIG.	PANEL HEIGHT	QTY OF PANELS	PANEL THICK	PANEL SERIES	PANEL COLOR
WP-1	12'-0"	40	4"	MESALINE	USDA WHITE
CP-2	20'-0"	16	4"	MESALINE	USDA WHITE

NO.	REVISION	DATE	BY

**Barr Inc.**  
1423 Planeview Drive  
Oshkosh, WI 54904  
920-231-1711 Phone

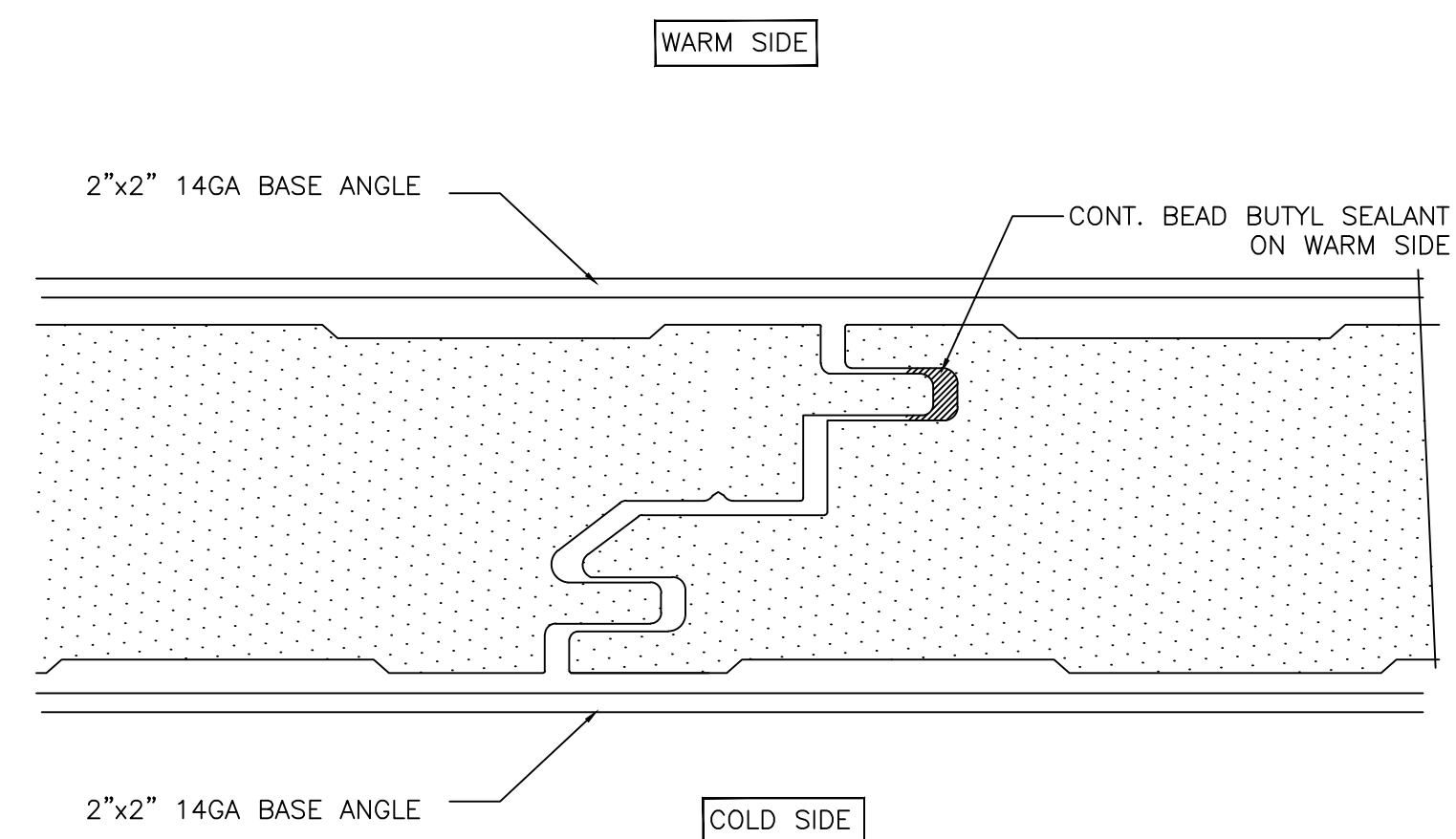
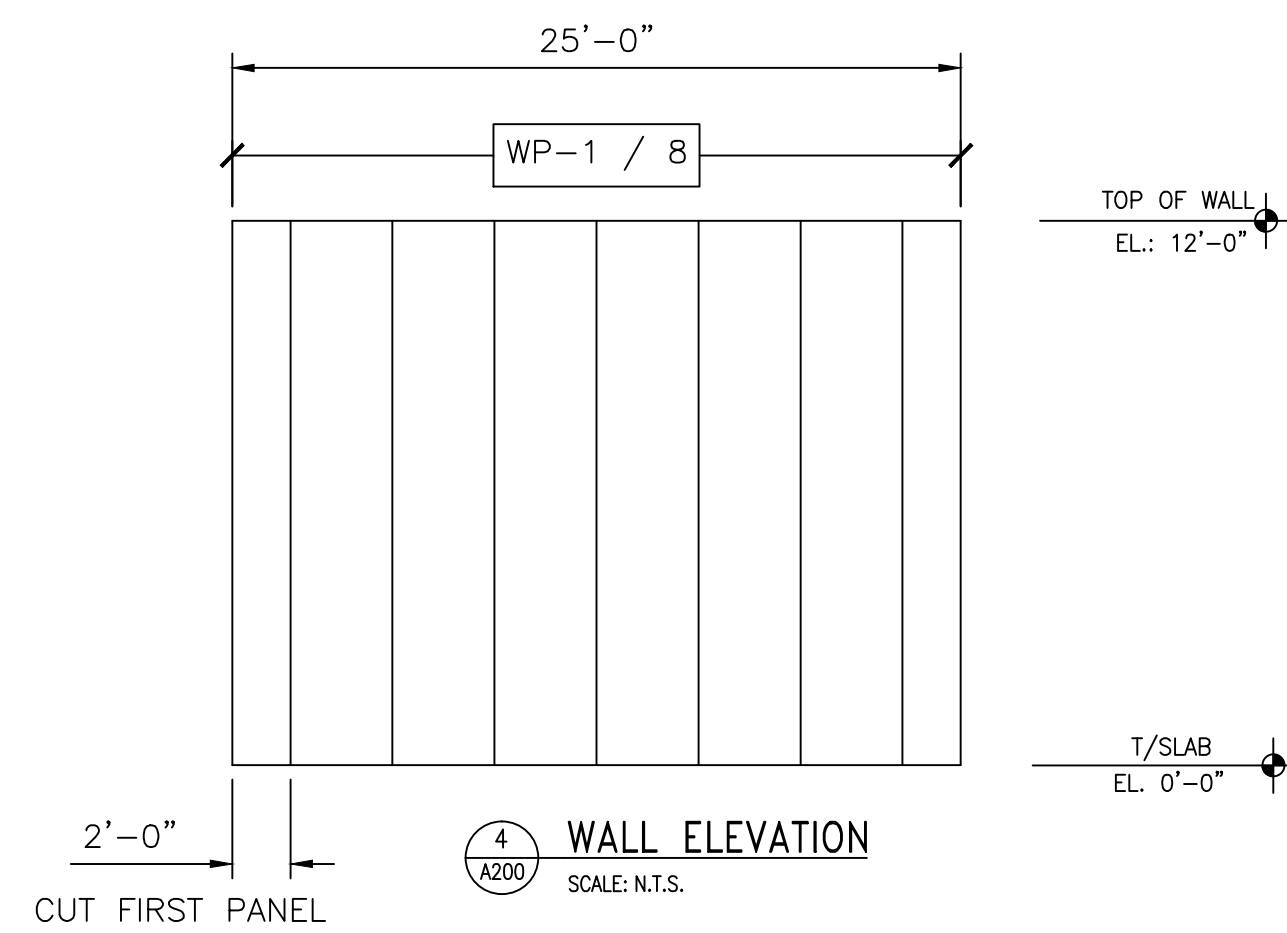
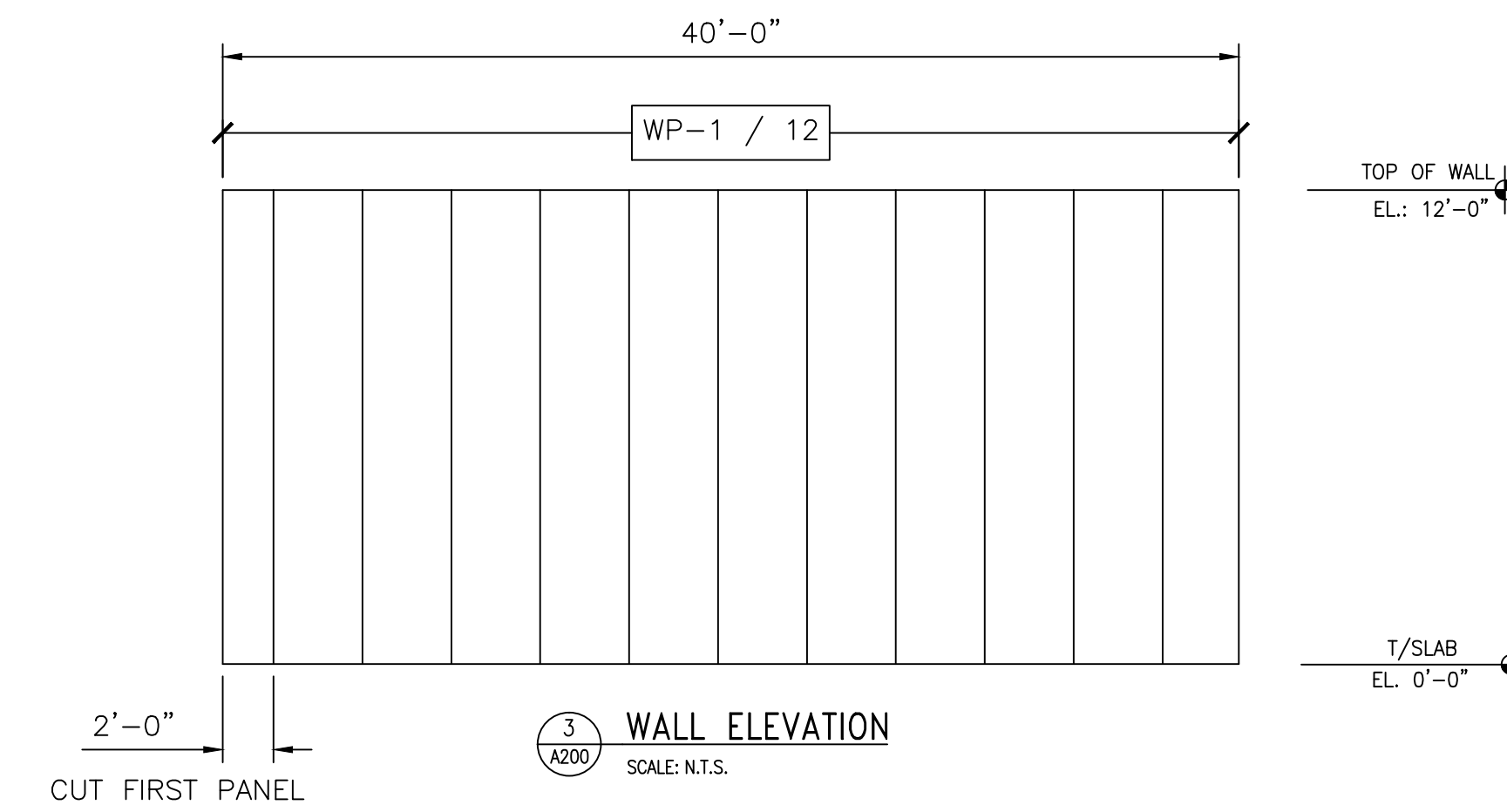
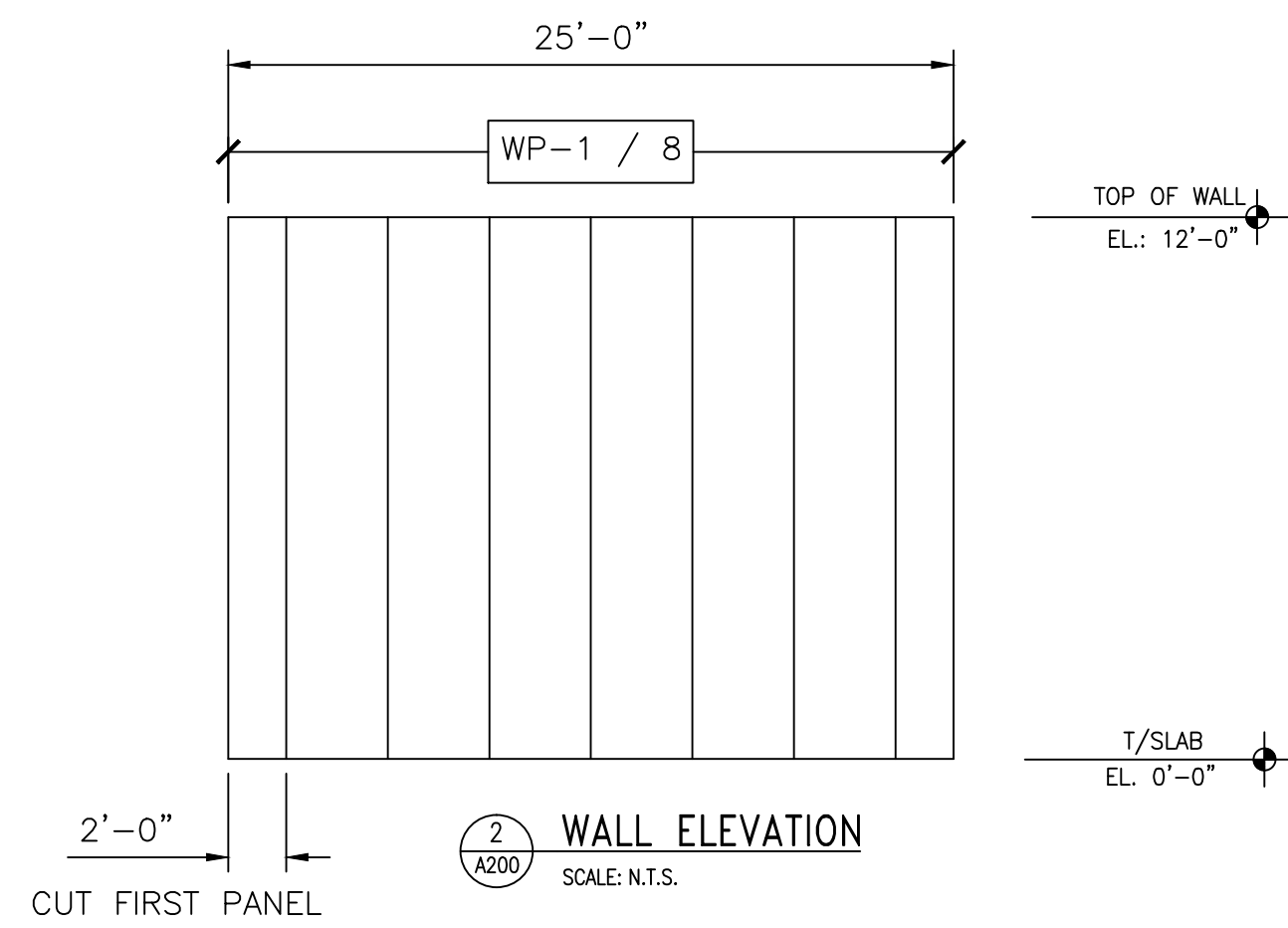
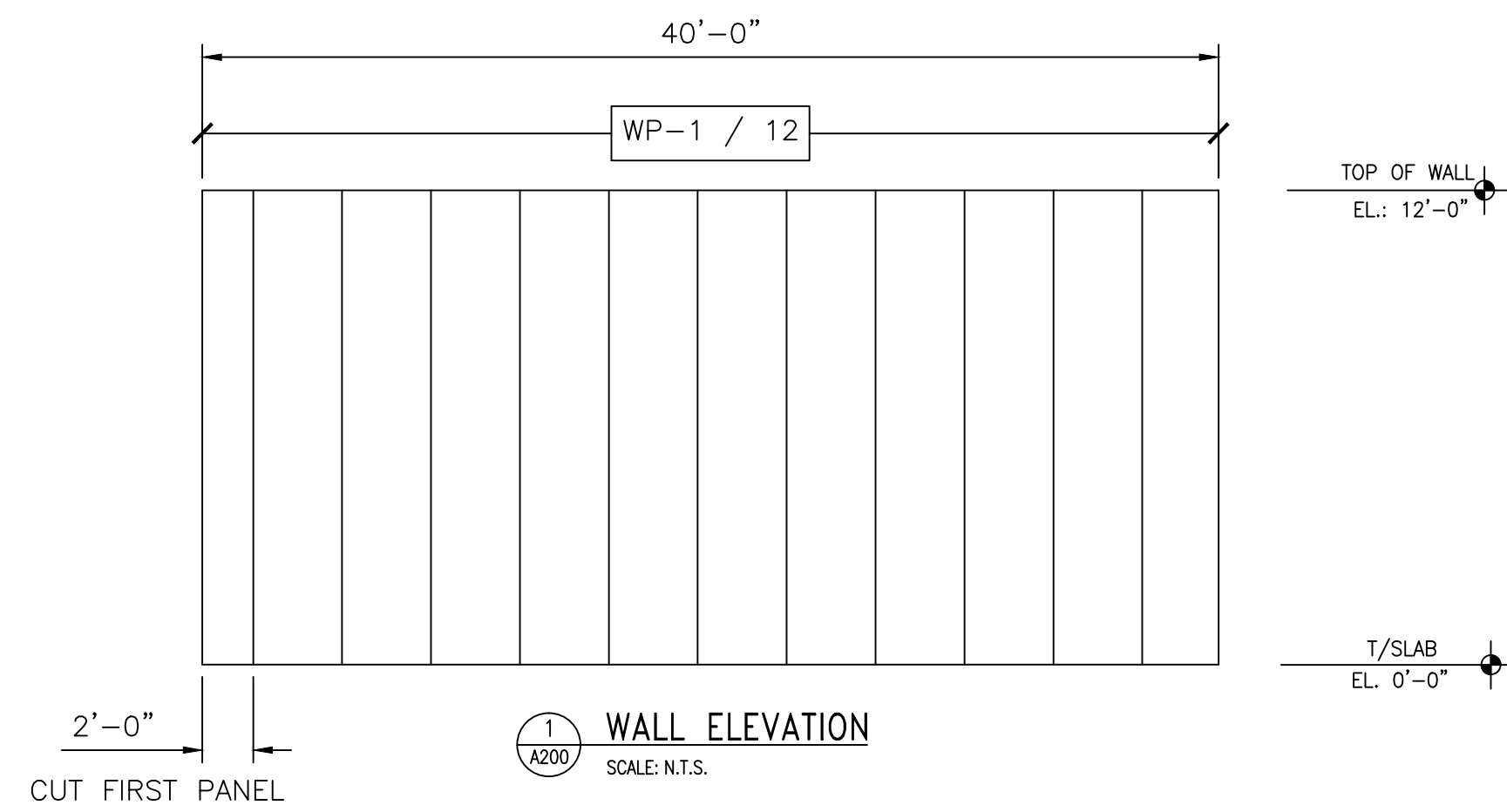
25' x 40' x 12'-4"  
Drive-In Cooler

TOLERANCES UNLESS SPECIFIED  
FRACTIONAL DECIMAL .015 X .030  
X/X" ± 1/32" .XX ± .05 X'X' ± 0'05"  
.XXX ± .005 X'X' ± 0'05"  
.XXXX ± .001

Draftsman is not responsible for panel heights, quantities and/or dimensions. Contractor to verify all information.

FLOOR PLAN

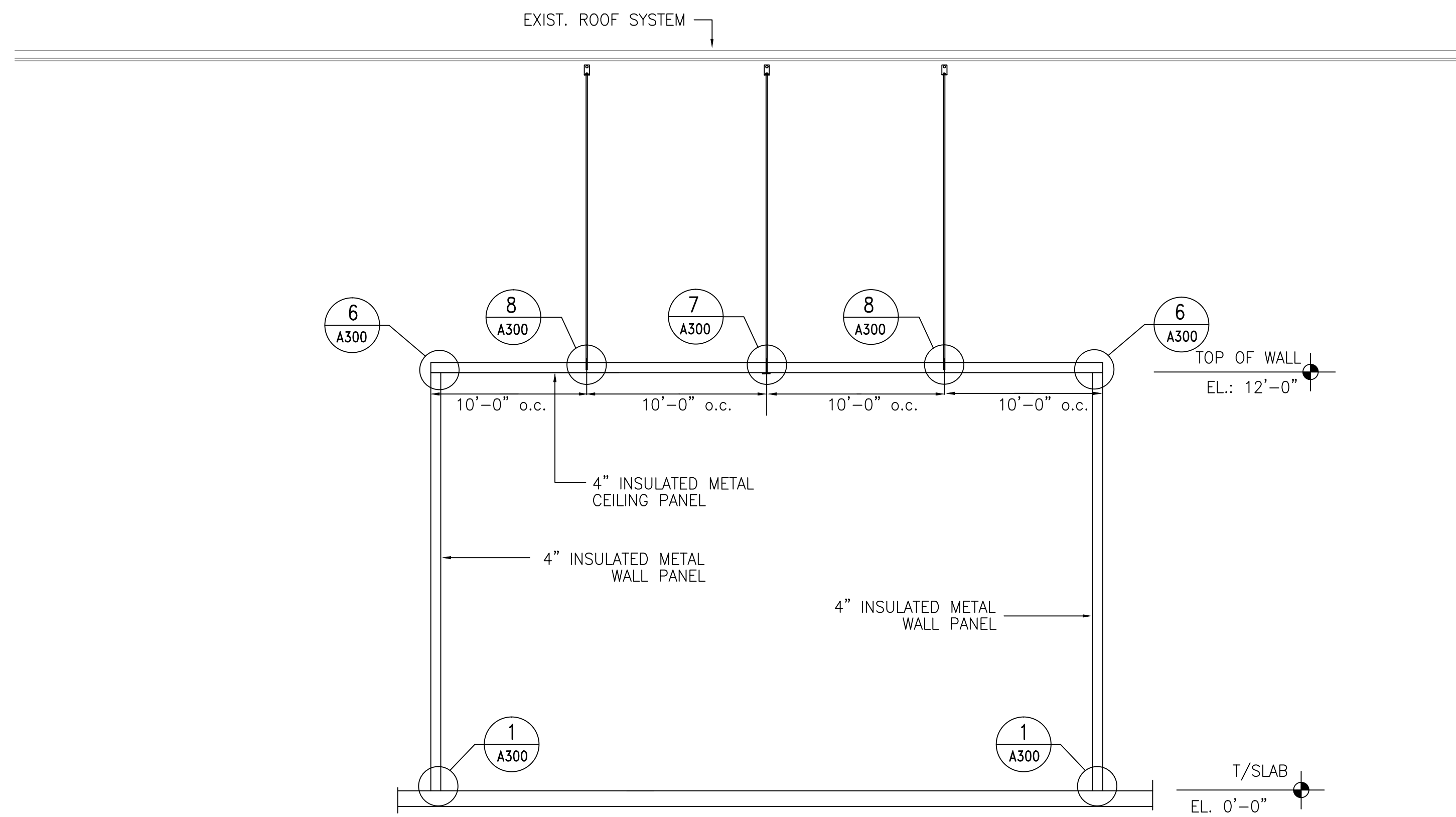
DR. BY: KRZ  
DATE: 10/13/2022  
SCALE: NTS  
CHECKED BY:  
SHEET NO. A100



PANEL SCHEDULE

PANEL DESIG.	PANEL HEIGHT	QTY. OF PANELS	PANEL THICK	PANEL SERIES	PANEL COLOR
WP-1	12'-0"	40	4"	MESALINE	USDA WHITE
CP-2	20'-0"	16	4"	MESALINE	USDA WHITE

6 A200 TYPICAL PANEL ATTACHMENT DETAIL SCALE: N.T.S.



5 A200 WALL SECTION SCALE: N.T.S.

NO.	REVISION	DATE	BY

Barr Inc.  
1423 Planeview Drive  
Oshkosh, WI 54904  
920-231-1711 Phone

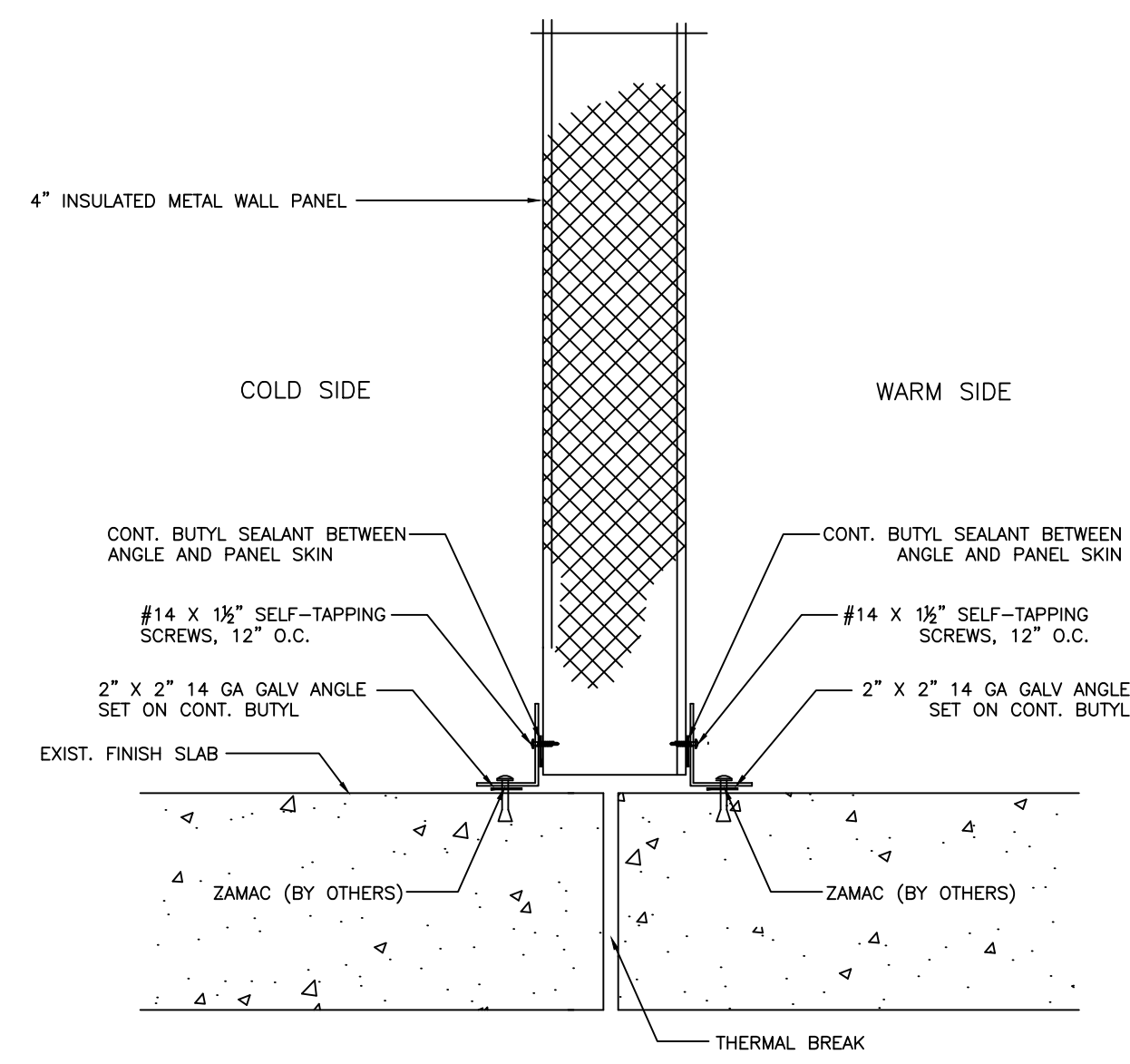
25' x 40' x 12'-4"  
Drive-In Cooler

TOLERANCES UNLESS SPECIFIED  
FRACTIONAL .XX ± 1/32"  
DECIMAL .015 X ± 0.30"  
ANGLE .XXX ± .005"  
XXX ± .001"  
XXXX ± .001"

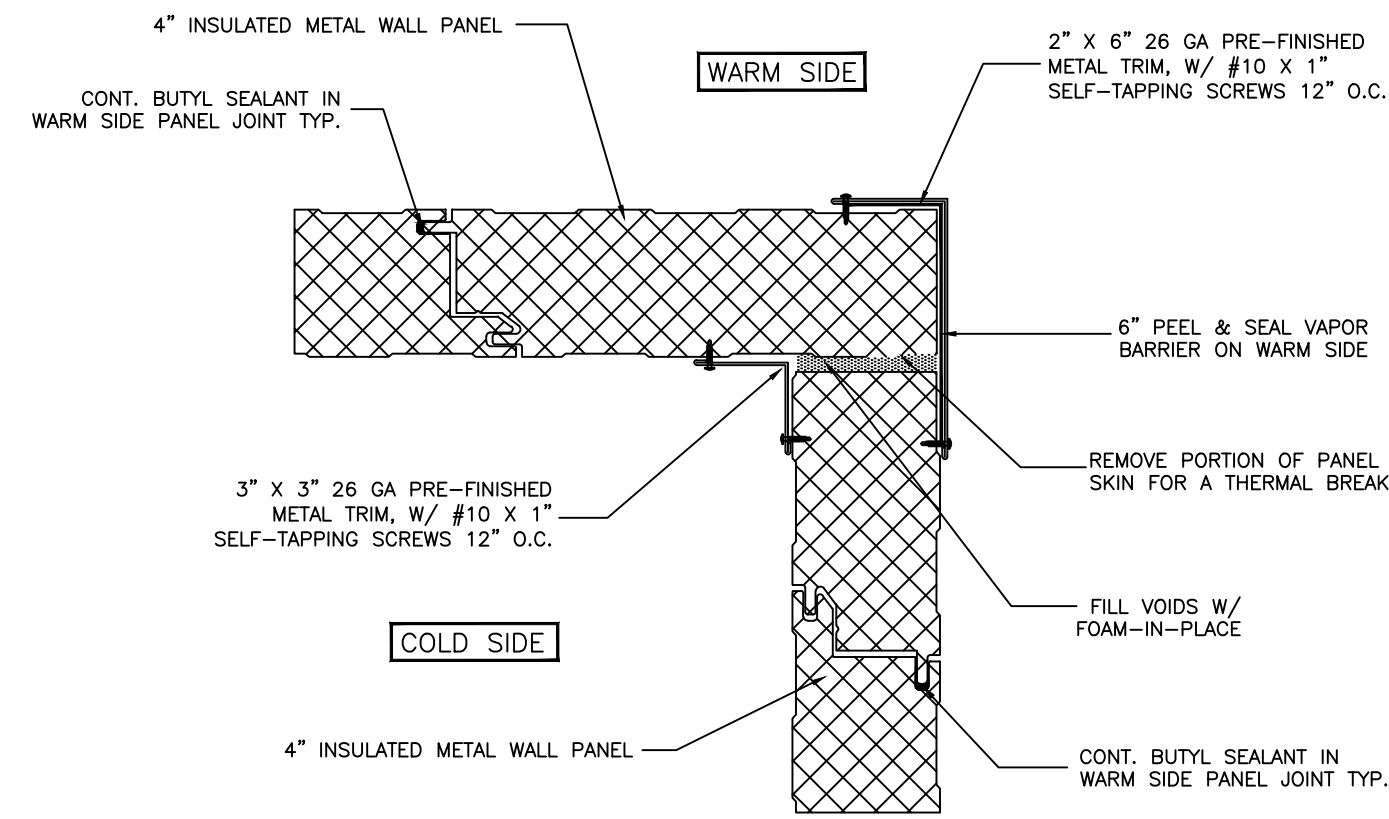
Draftsman is not responsible for panel heights, quantities and/or dimensions. Contractor to verify all information.

WALL ELEVATIONS

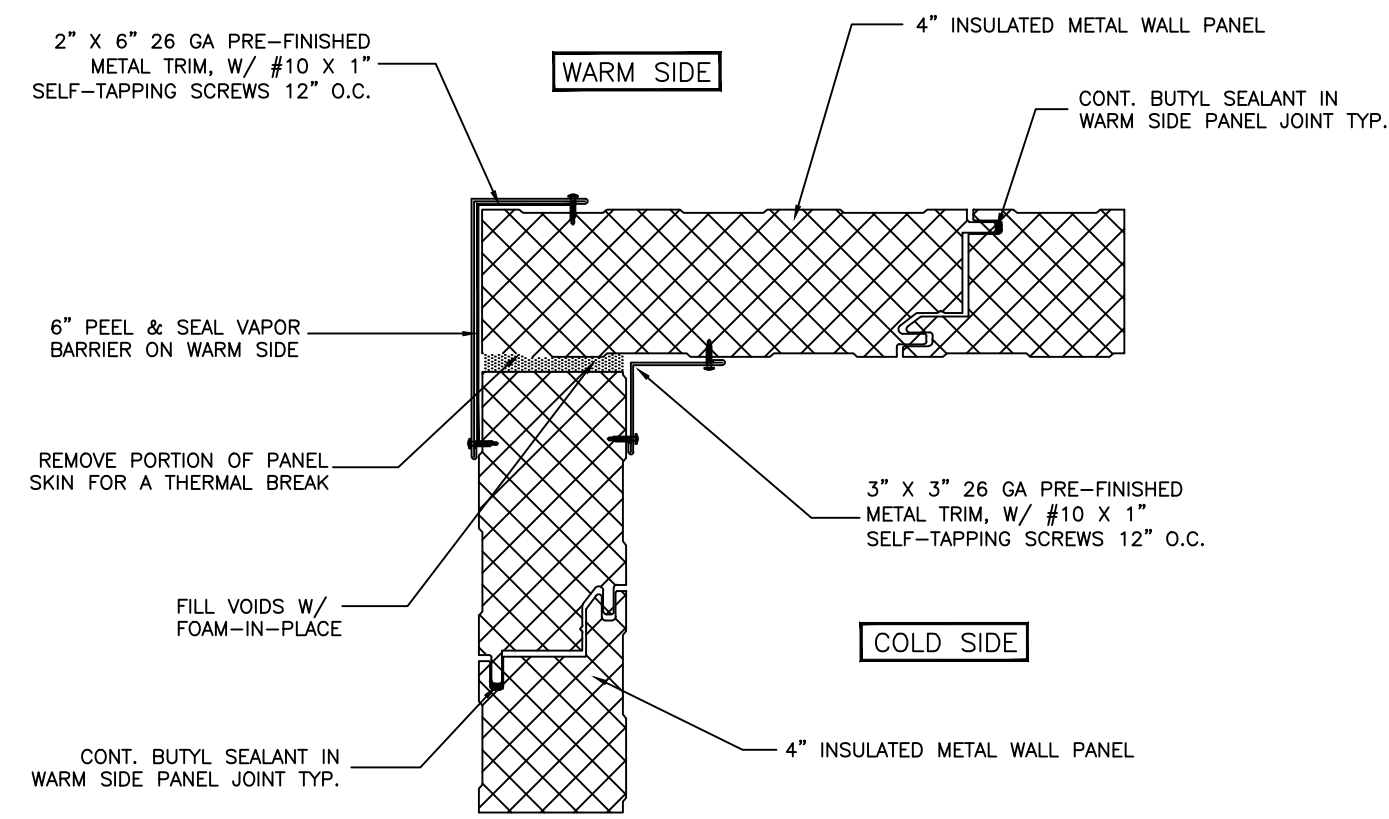
DR. BY: KRZ  
DATE: 10/13/2022  
SCALE: NTS  
CHECKED BY:  
SHEET NO. A200



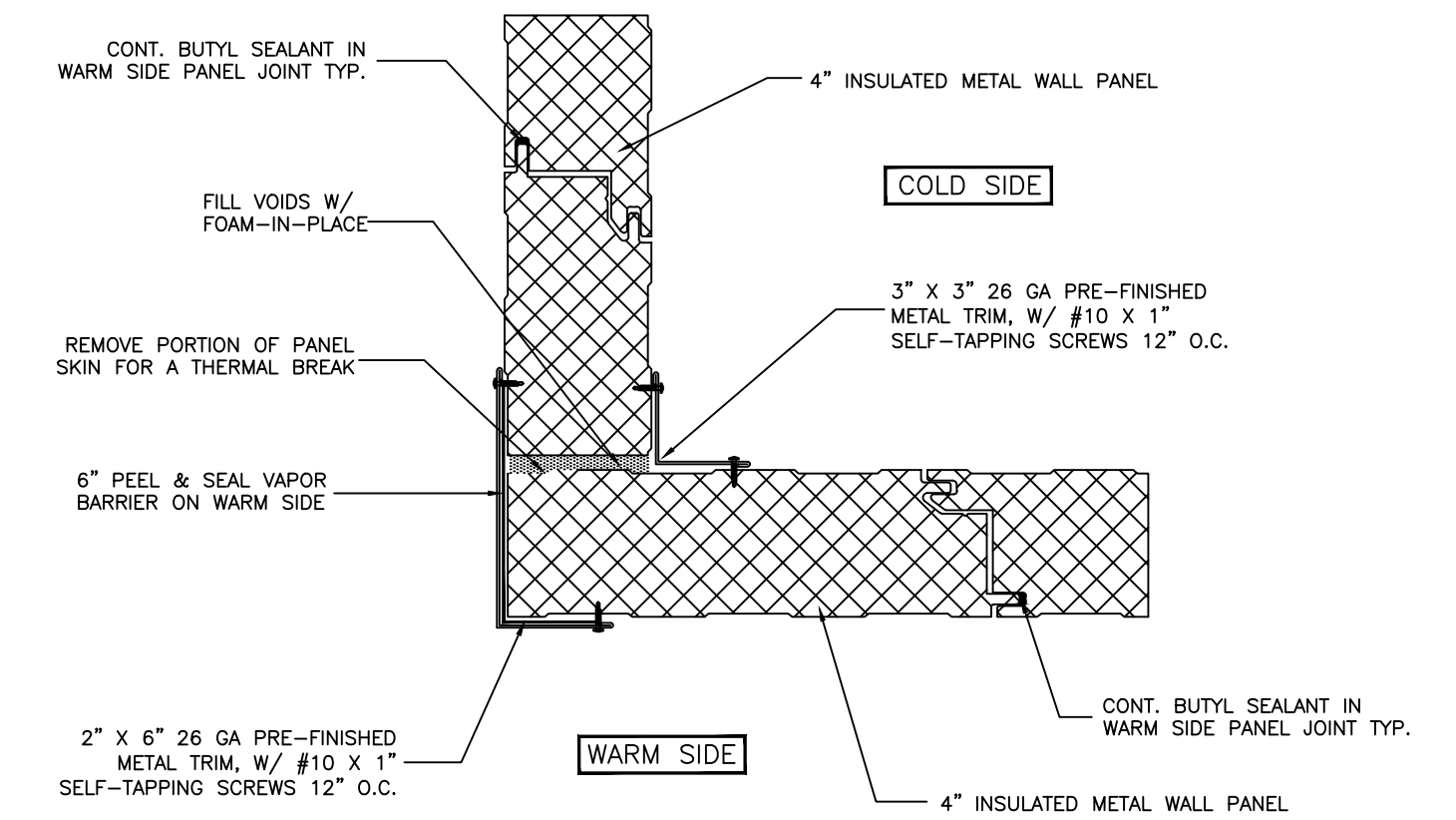
1 BASE DETAIL  
A300



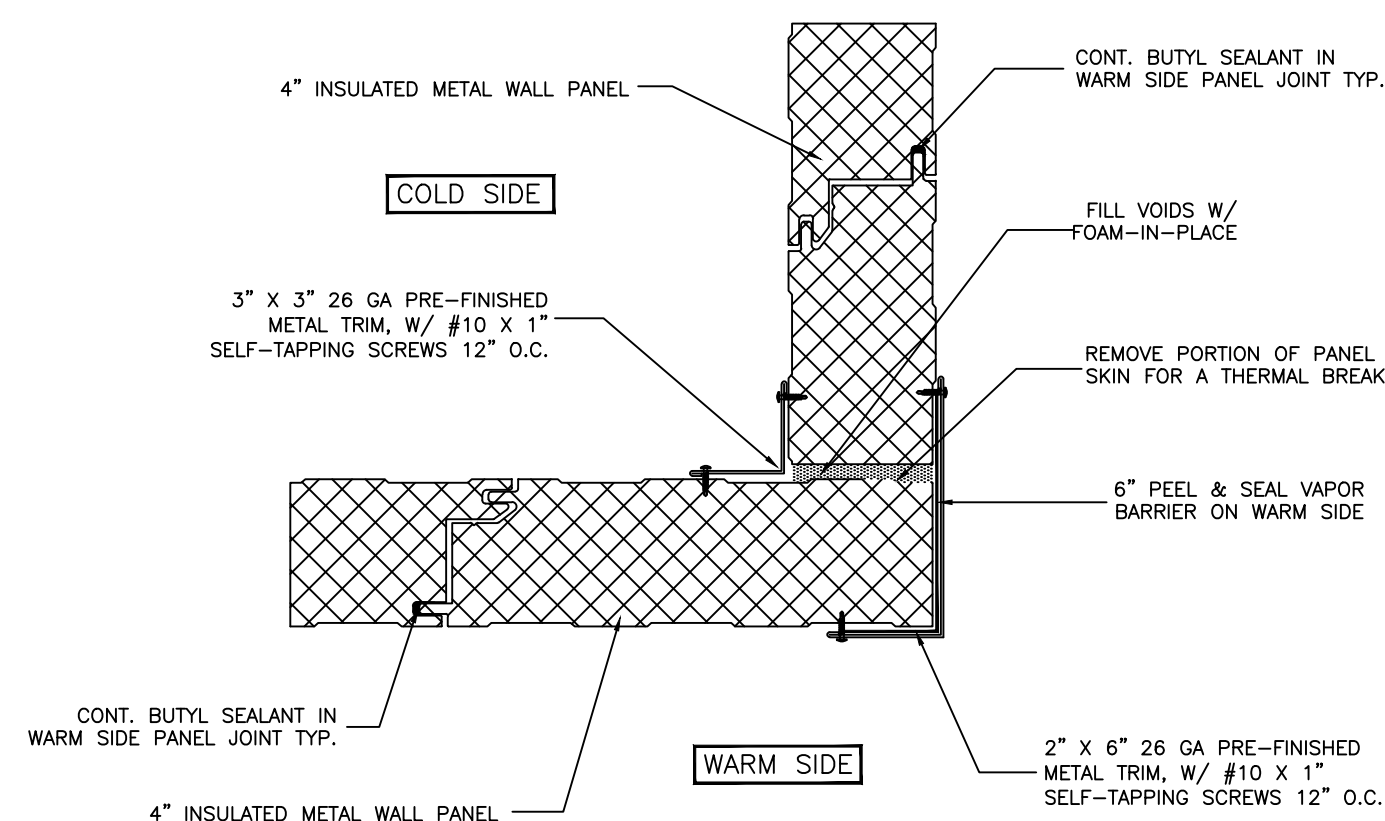
2 CORNER DETAIL  
A300



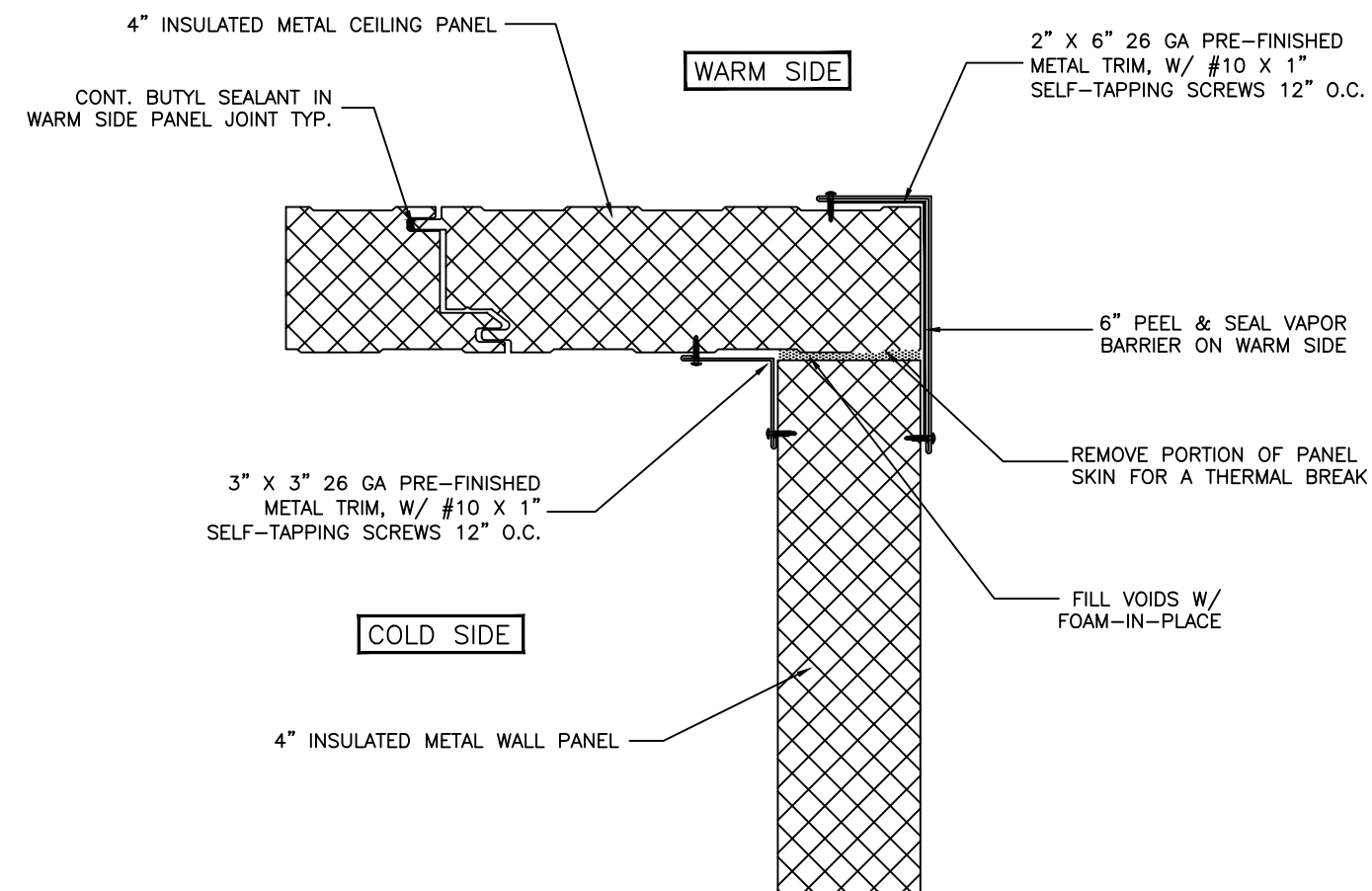
3 CORNER DETAIL  
A300



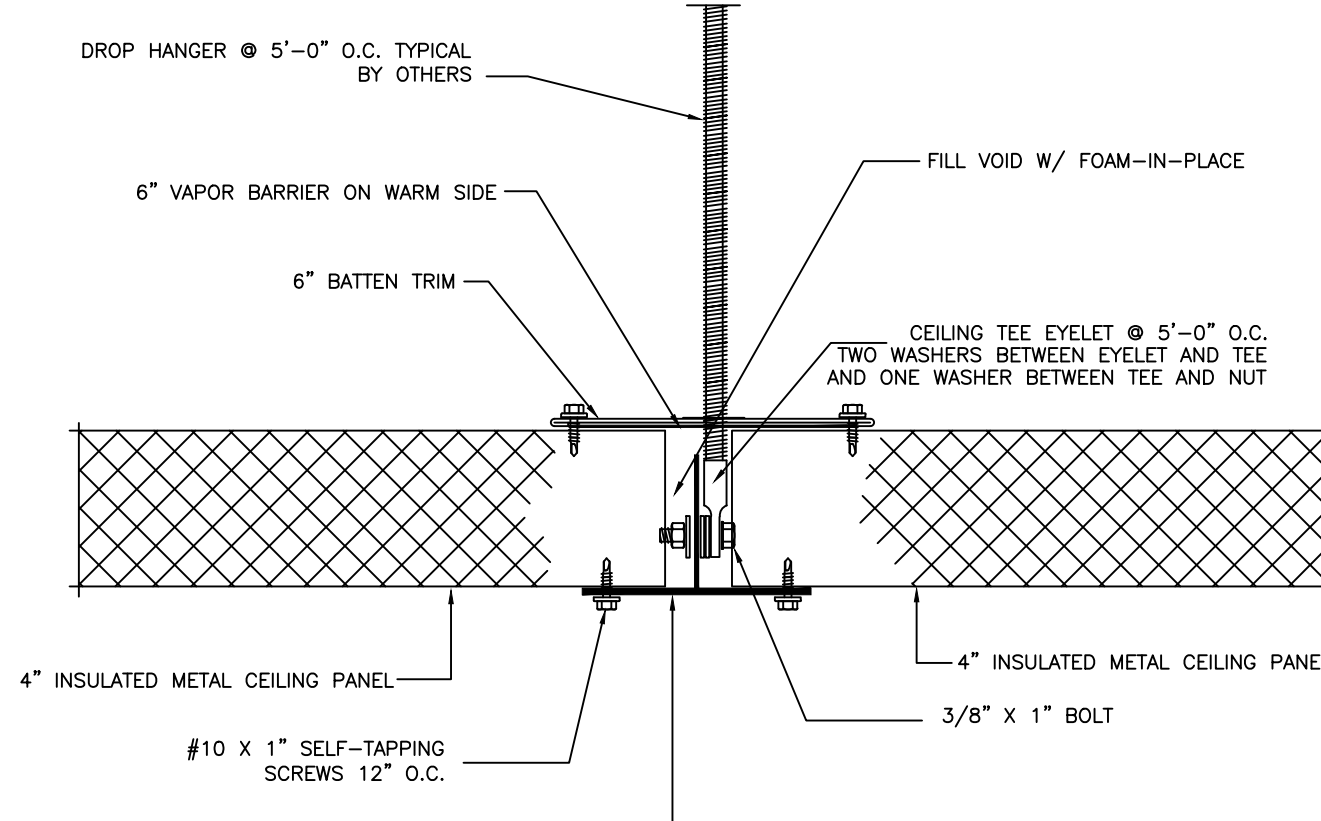
4 CORNER DETAIL  
A300



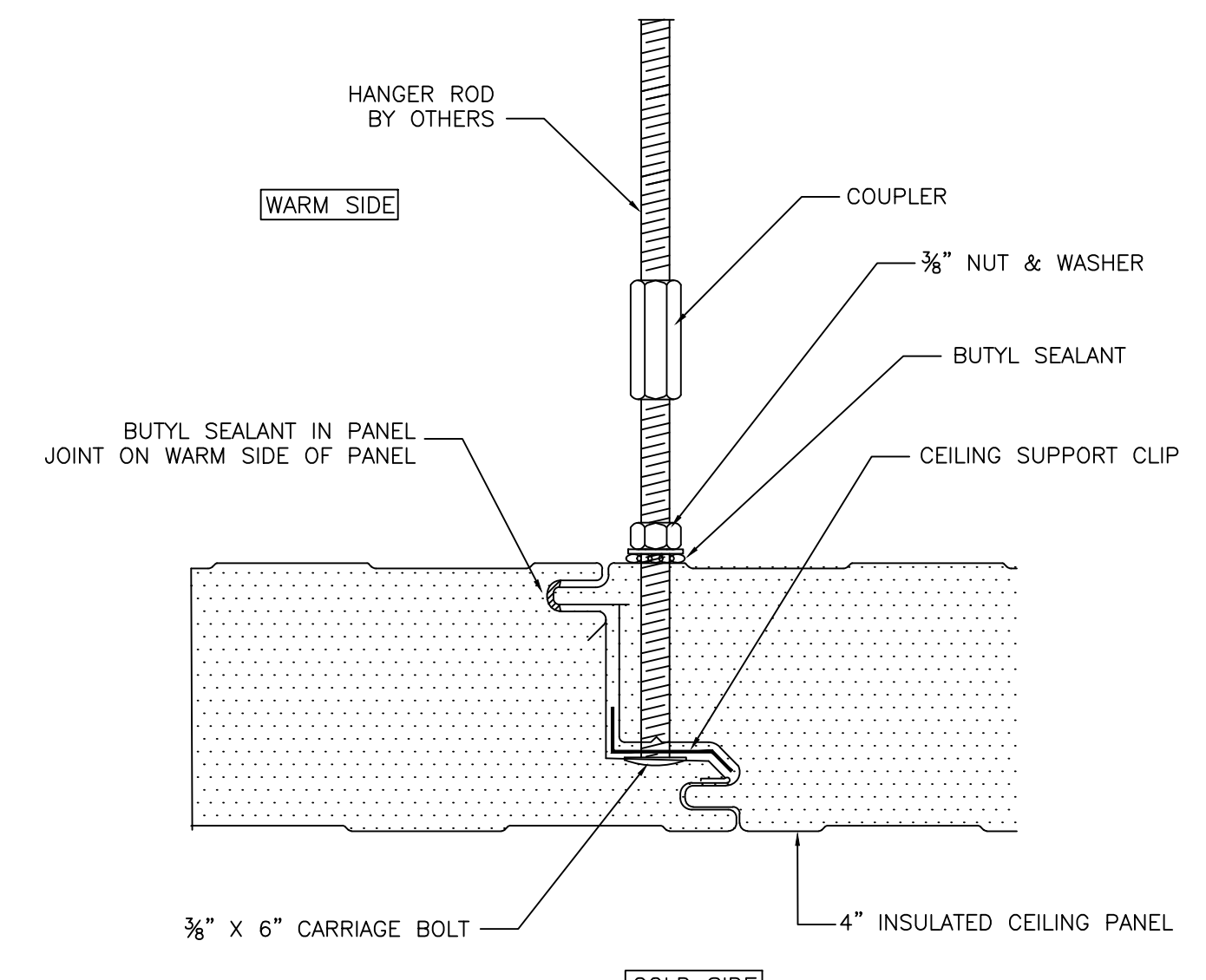
5 CORNER DETAIL  
A300



6 WALL / CEILING DETAIL  
A300



7 CEILING TEE DETAIL  
A300



8 INTERMEDIATE CEILING SUPPORT  
A300

NO.	REVISION	DATE	BY

**Barr Inc.**  
1423 Planeview Drive  
Oshkosh, WI 54904  
920-231-1711 Phone

25' x 40' x 12'-4"  
Drive-In Cooler

TOLERANCES UNLESS SPECIFIED  
FRACTIONAL DECIMAL .015 X' ANGLE  
X/X" ± 1/32" .XXX ± .005 XXX ± .005  
.XXXX ± .001

Draftsman is not responsible for panel heights, quantities and/or dimensions. Contractor to verify all information.

WALL DETAILS

DR. BY: KRZ  
DATE: 10/13/2022  
SCALE: NTS  
CHECKED BY:  
SHEET NO. A300