

**Barr Inc.**  
 1423 Planeview Drive  
 Oshkosh, WI 54904  
 920-231-1711 Phone

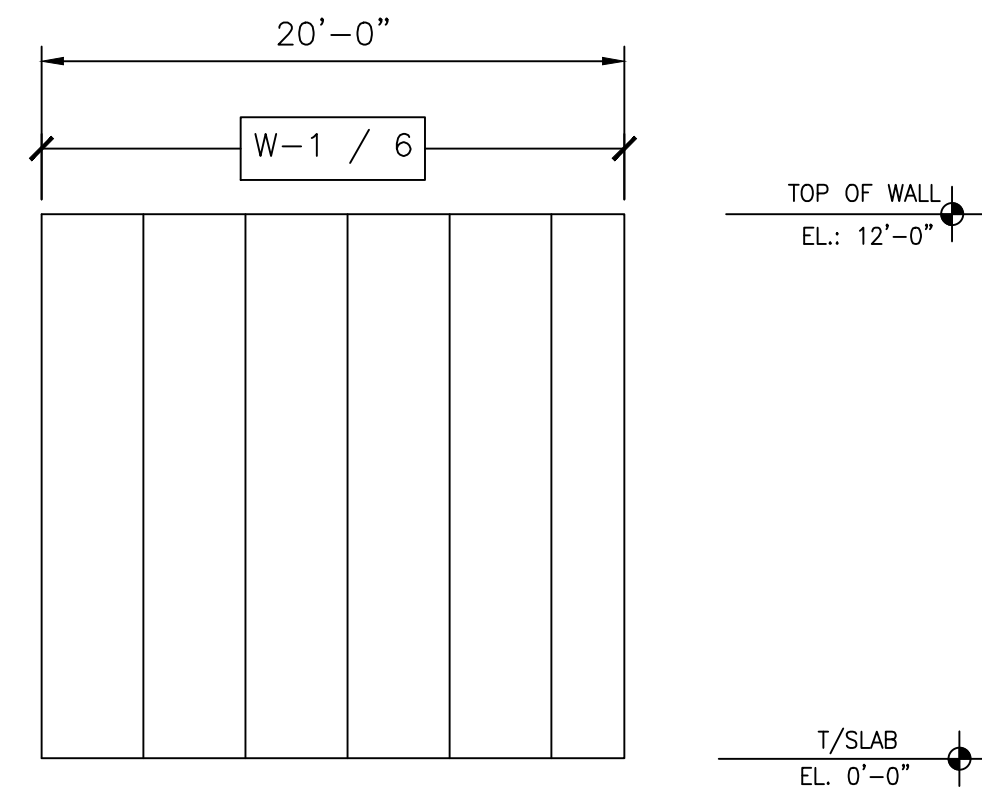
**20' x 30' x 12'-4"**  
**Drive-In Cooler**

**DRAWING INDEX**

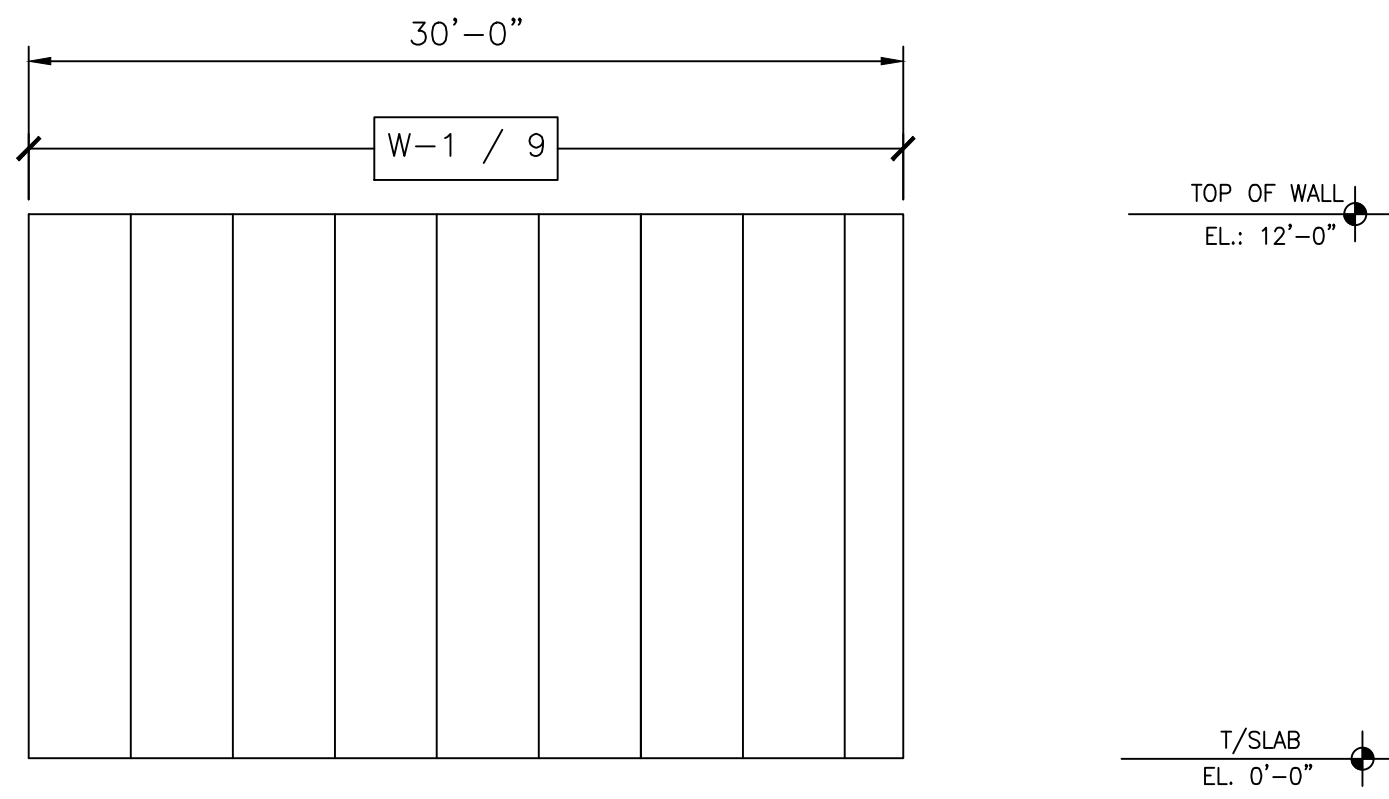
<b>T.1</b>	<b>TITLE SHEET</b>
<b>A100</b>	<b>FLOOR/CEILING PLAN</b>
<b>A200</b>	<b>INSULATED WALL PANEL ELEVATIONS</b>
<b>A300</b>	<b>INSULATED WALL PANEL DETAILS</b>

TITLE	20' x 30' x 12'-4" Drive-In Cooler
TOLERANCES UNLESS SPECIFIED FRACTIONAL    .XX    ± 1/32"    .XX    ± .015"    X"    ± 0'30" DECIMAL       .XXX    ± .005"    .XXX    ± .005"    .XXX    ± 0'05" .XXXX    ± .001"    .XXXX    ± .001"	
Draftsman is not responsible for panel heights, quantities and / or dimensions. Contractor to verify all information.	
DR.BY: KRZ DATE: 8/30/2016 SCALE: NTS CHECKED BY: SHEET NO. T.1	
Barr Inc. 1423 Planeview Drive Oshkosh, WI 54904 920-231-1711 Phone	
REVISION	BY DATE

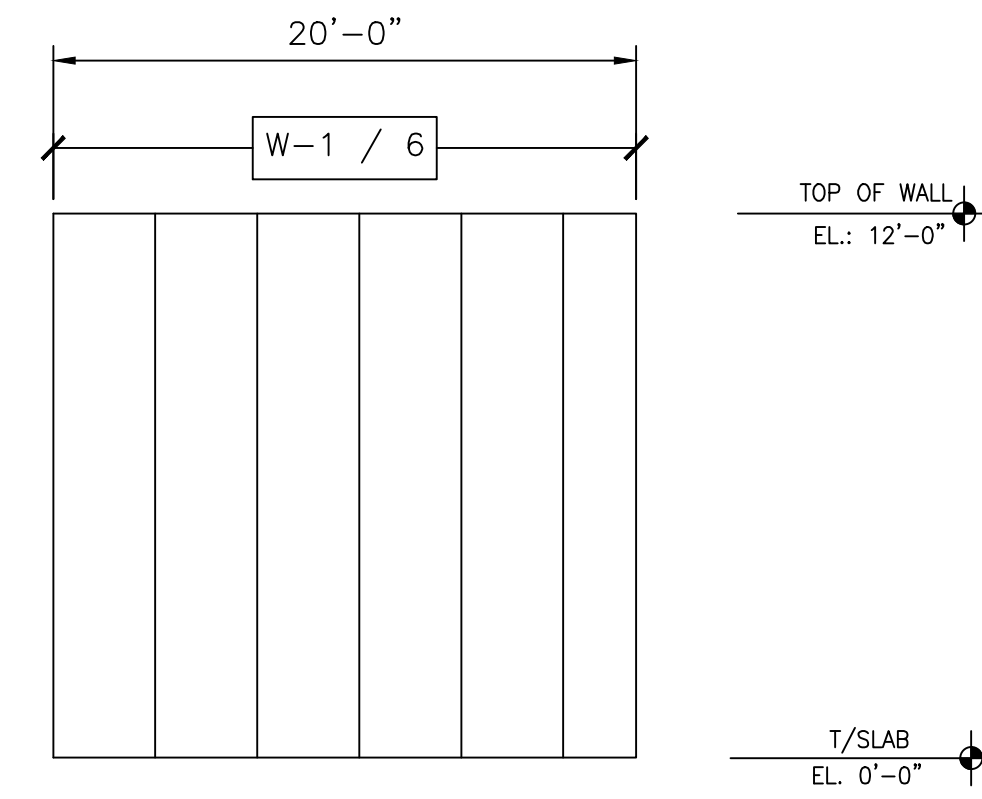




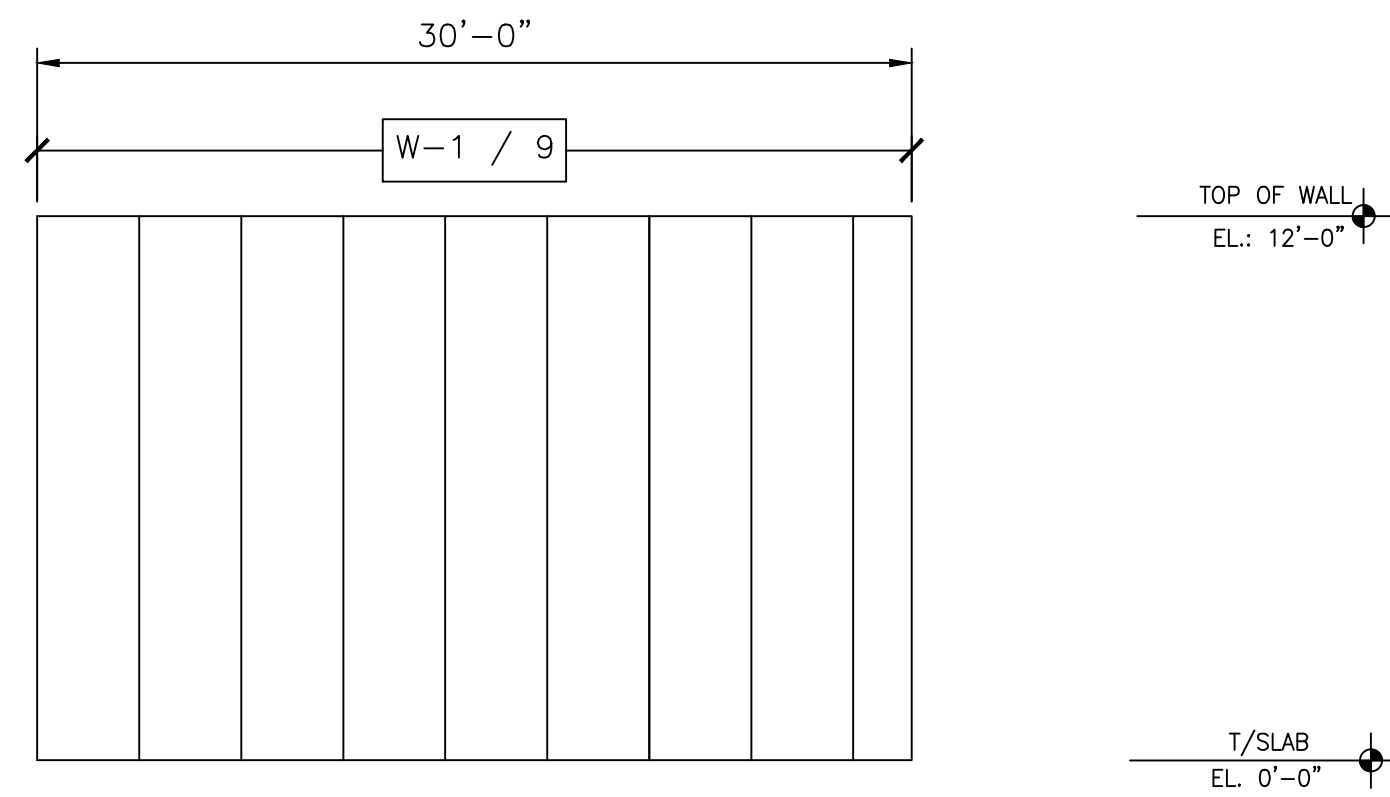
**1 WALL ELEVATION**  
SCALE: N.T.S.



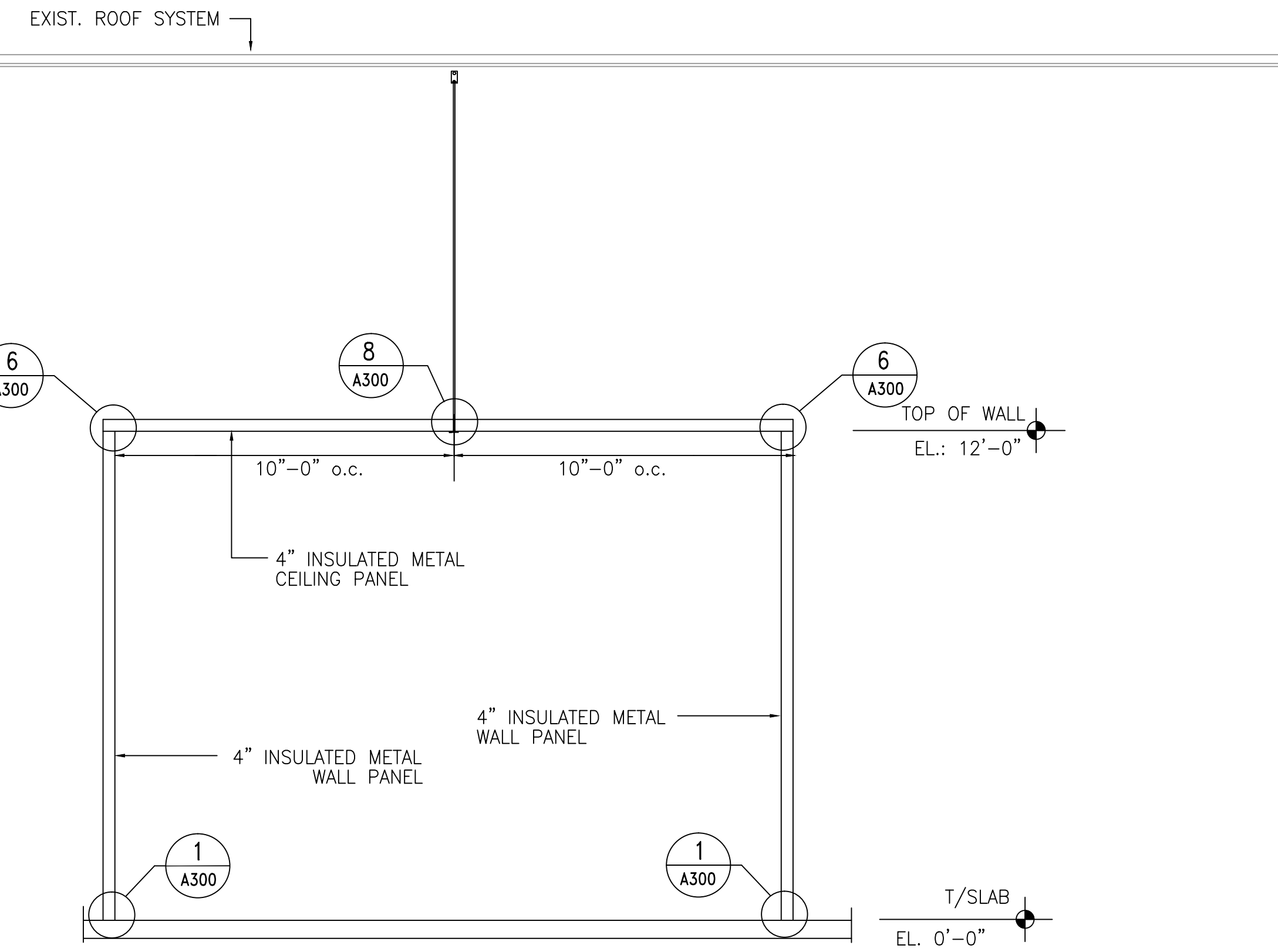
**2 WALL ELEVATION**  
SCALE: N.T.S.



**3 WALL ELEVATION**  
SCALE: N.T.S.



**4 WALL ELEVATION**  
SCALE: N.T.S.



**5 WALL SECTION**  
SCALE: N.T.S.

PANEL SCHEDULE

PANEL DESIG.	PANEL HEIGHT	QTY. OF PANELS	PANEL THICK	PANEL SERIES	PANEL COLOR
W-1	12'-0"	30	4"	MESALINE	USDA WHITE
C-2	20'-0"	9	4"	MESALINE	USDA WHITE

TOLERANCES UNLESS SPECIFIED  
 FRACTIONAL .XX ± 1/32"  
 DECIMAL .015 ± .005  
 X" ± .005  
 ANGLE ° ± .05'  
 .XXX ± .005  
 .XXXX ± .001  
 Draftsman is not responsible for panel heights, quantities and/or dimensions. Contractor to verify all information.

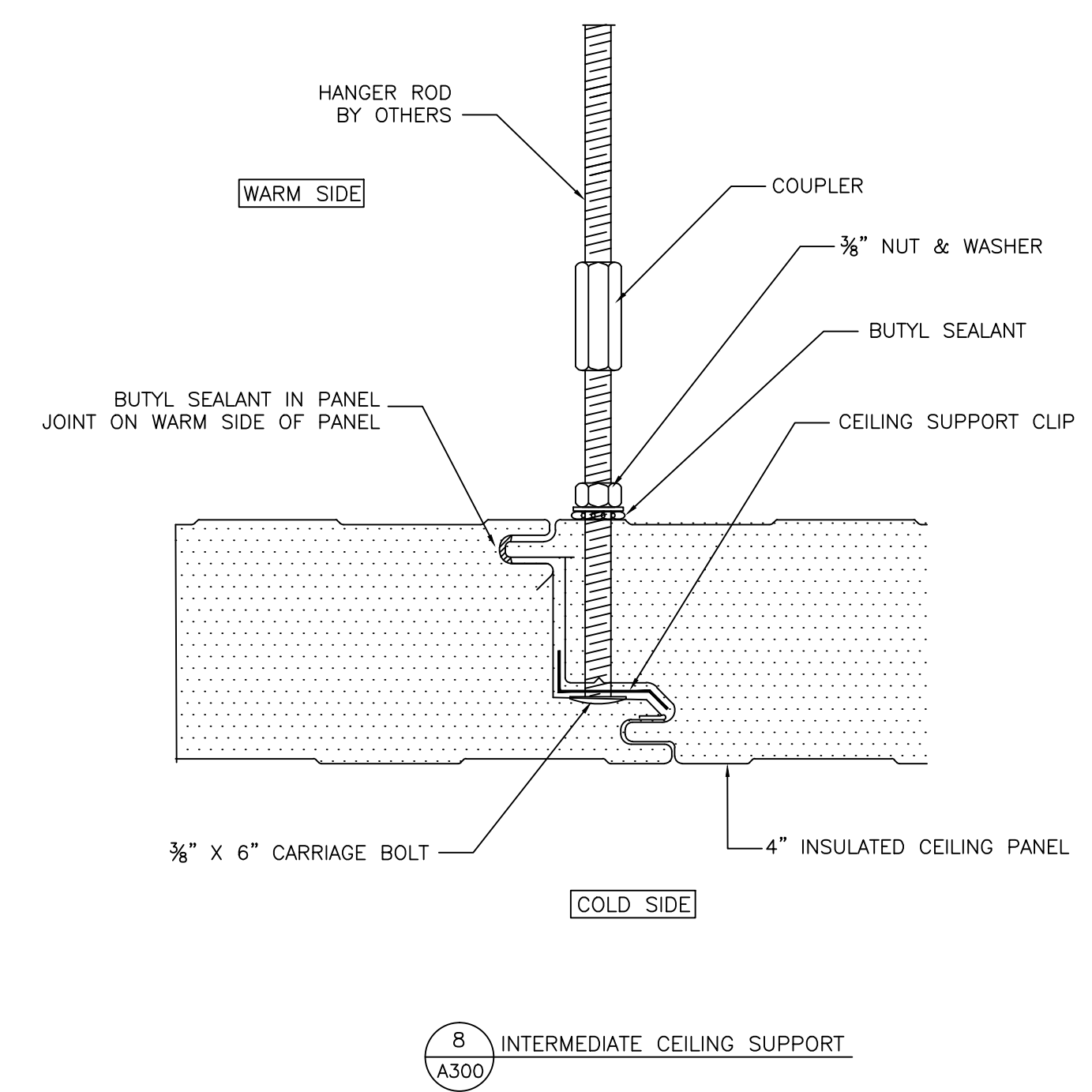
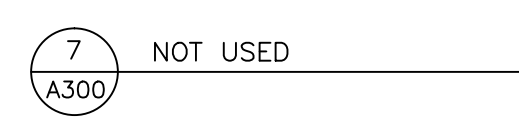
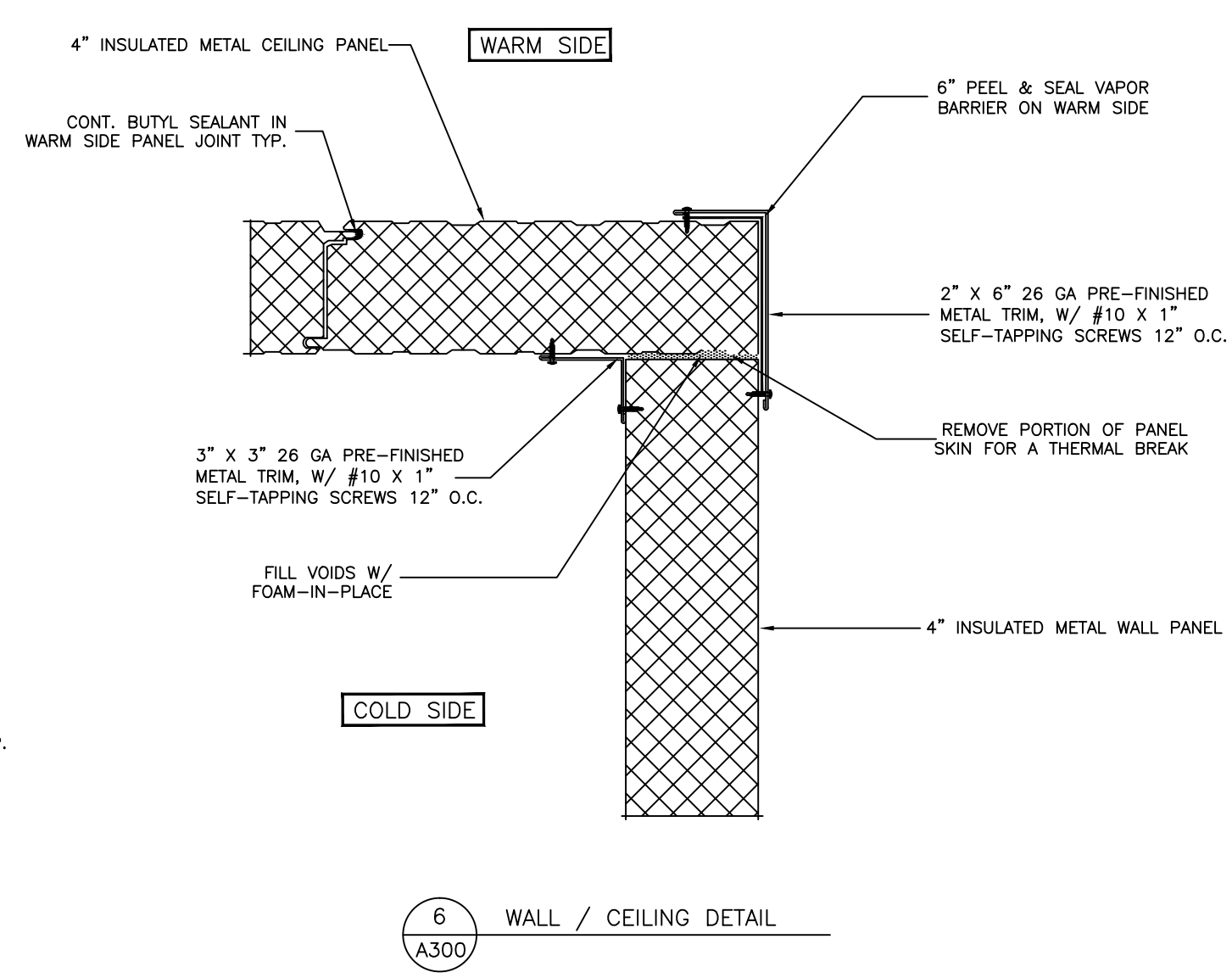
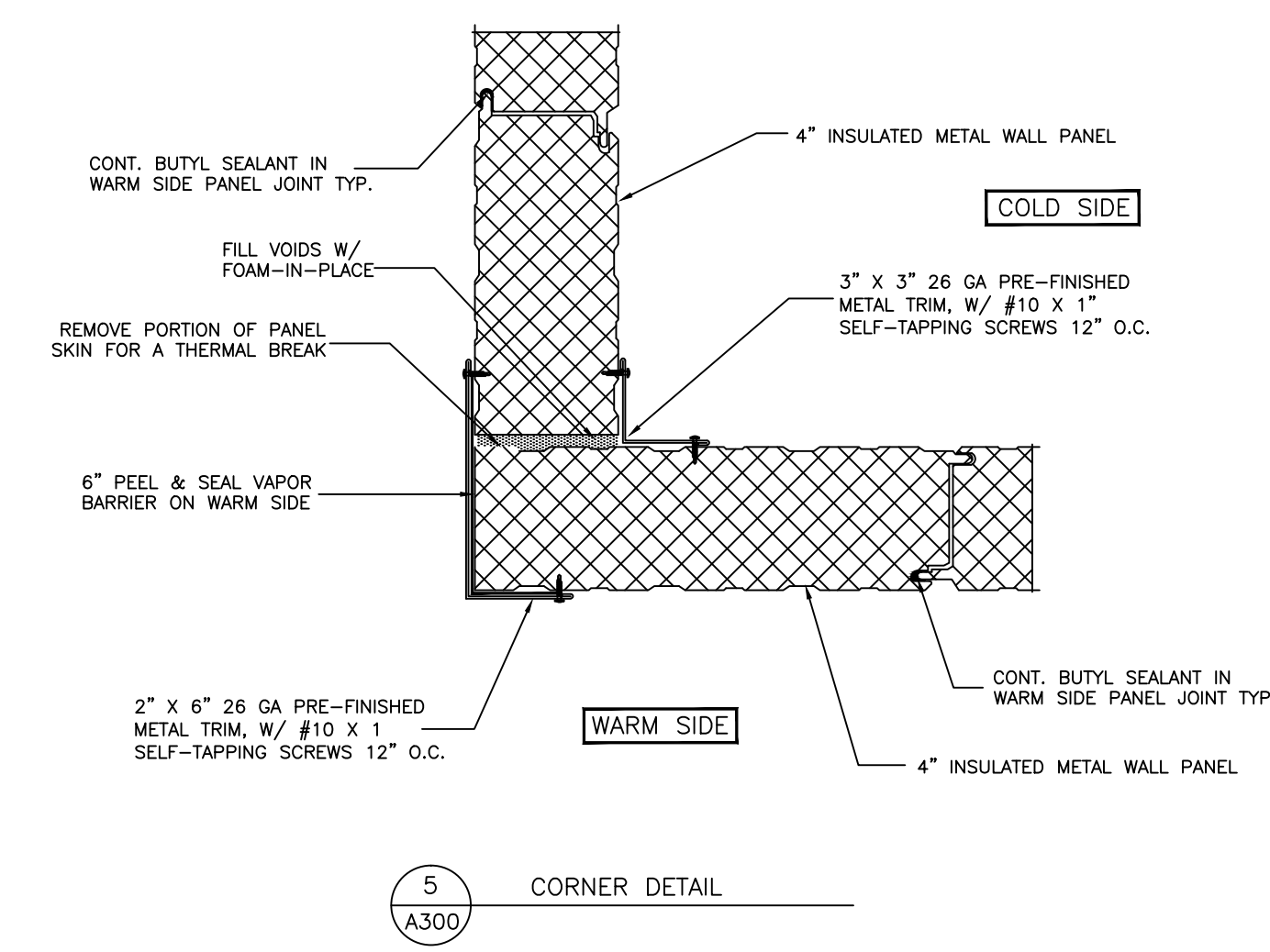
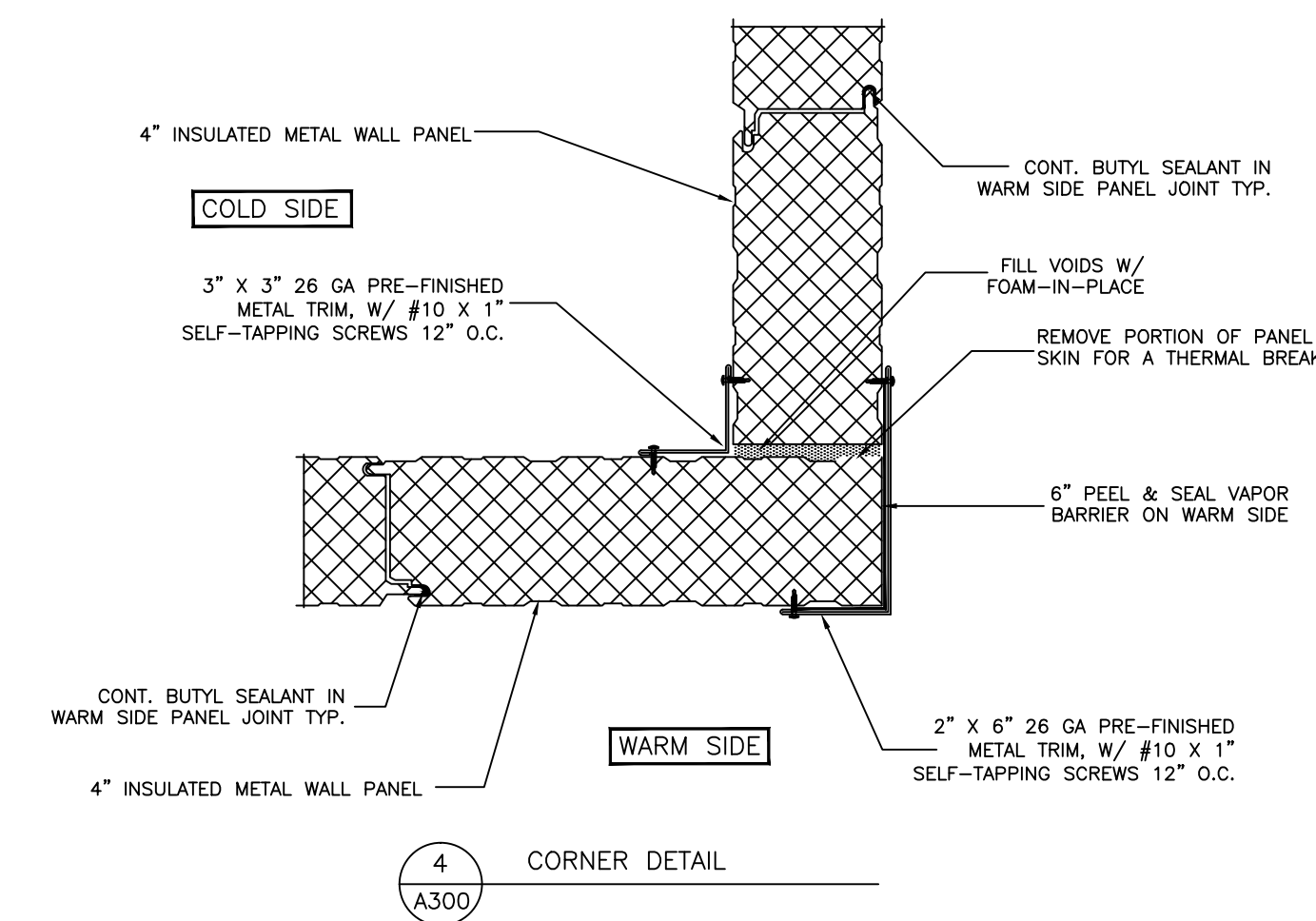
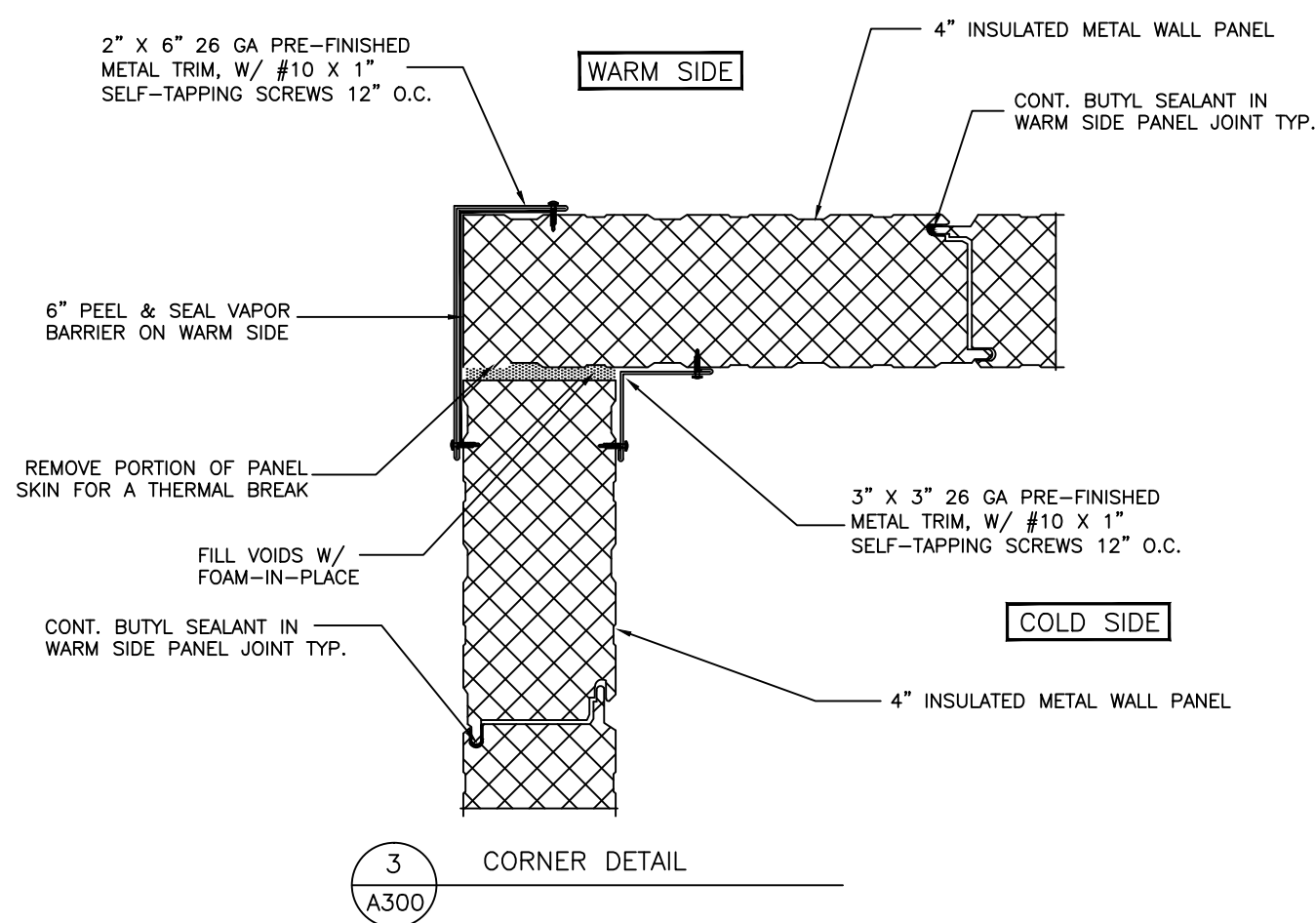
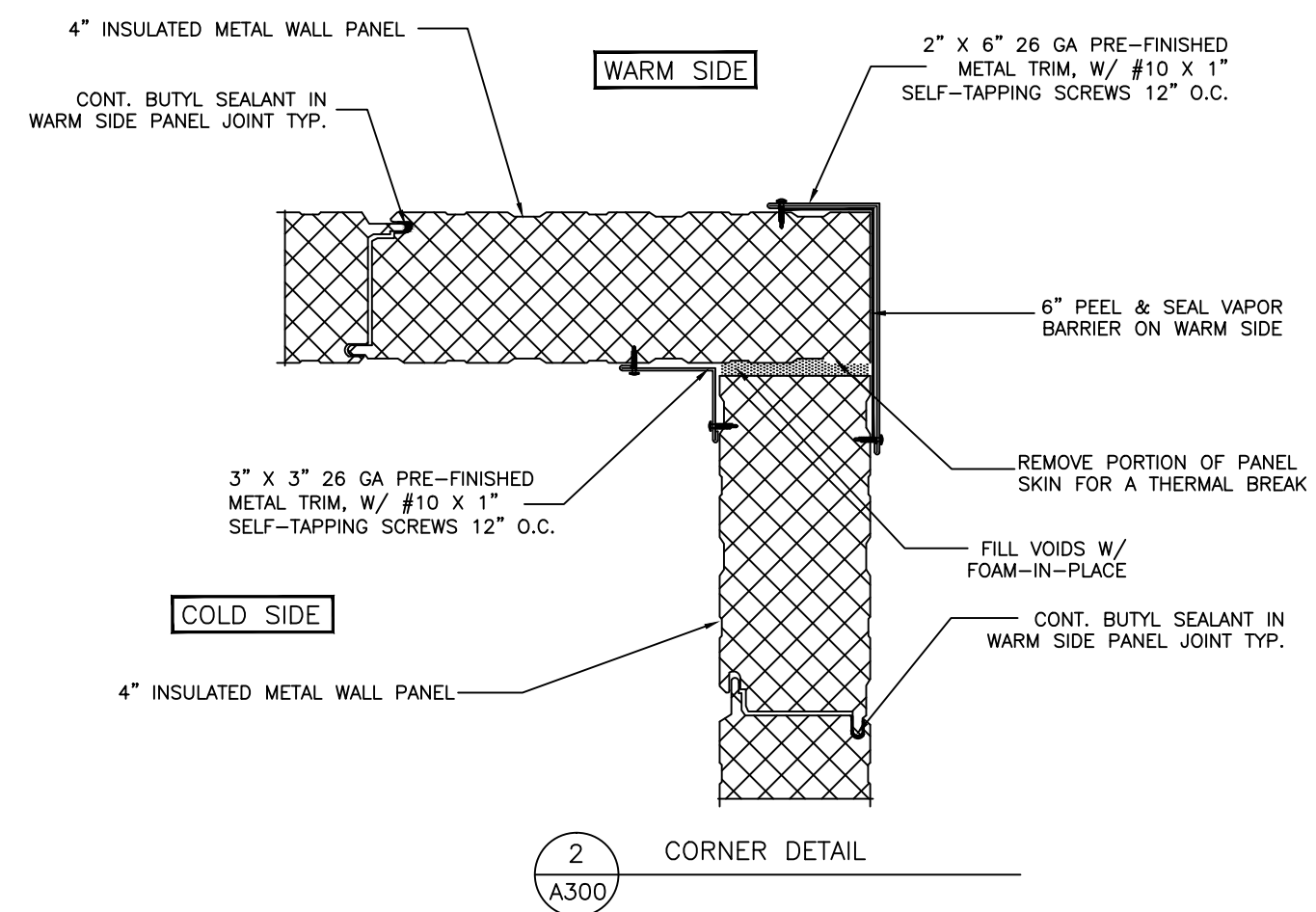
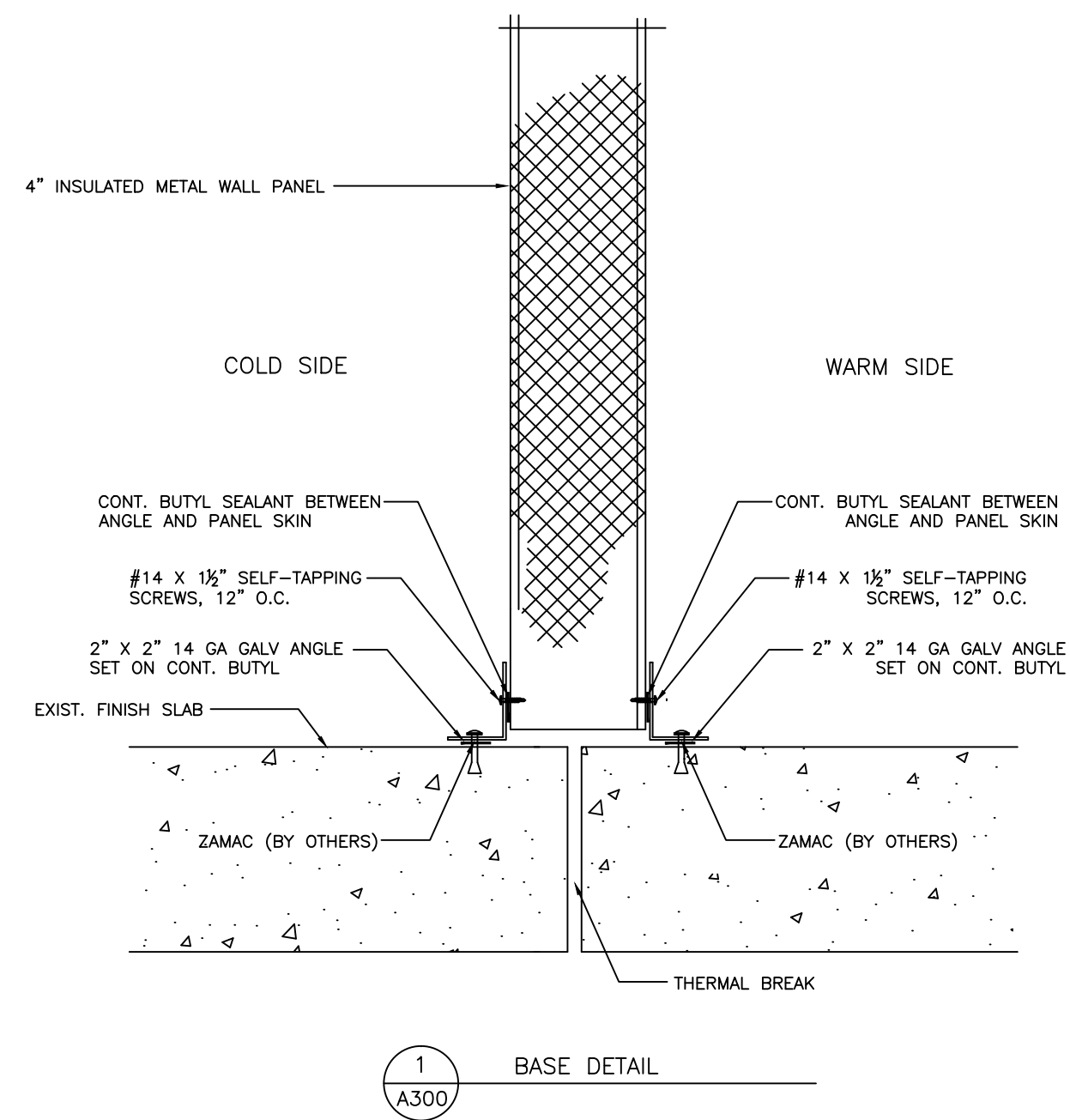
WALL ELEVATIONS

DR. BY:	KRZ
DATE:	8/30/2016
SCALE:	N.T.S.
CHECKED BY:	
SHEET NO.:	A200

REVISION	BY	DATE

**Barr Inc.**  
 1423 Planeview Drive  
 Oshkosh, WI 54904  
 920-231-1711 Phone

**20' x 30' x 12'-4"**  
 Drive-In Cooler



NO.	DATE	BY

Barr Inc.  
 1423 Planeview Drive  
 Oshkosh, WI 54904  
 920-231-1711 Phone

20' x 30' x 12'-4"  
 Drive-In Cooler

TOLERANCES UNLESS SPECIFIED  
 FRACTIONAL X/X" ± 1/32"  
 DECIMAL .XX ± .015  
 .XXX ± .005  
 .XXXX ± .001  
 ANGLE X° ± 0'30"  
 X'X" ± 0'05"  
 X'X" ± 0'05"  
 X'X" ± 0'05"  
 Draftsman is not responsible for panel heights, quantities, and/or dimensions. Contractor to verify all information.