

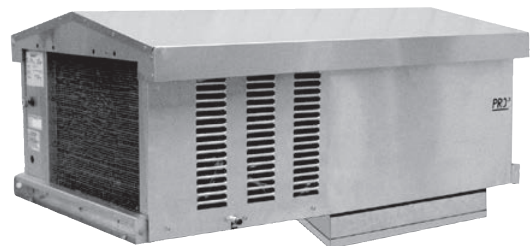


PRO³ Top Mount & Side Mount Packaged Refrigeration Systems

Technical Guide

Models PTN | PTT | PST

For Indoor and Outdoor Applications



BOHN

Table of Contents

Nomenclature 2

Features & Benefits 3

PRO³ Top Mount

EC Motors 4

Performance, Capacities and Specifications 4-6

AWEF Ratings 6

Dimensions 7

PRO³ Side Mount

Performance, Capacities and Specifications 8-9

AWEF Ratings 9

Dimensions 10-11

Replacement Parts by InterLink™ 12-14



Heatcraft BOHN products and options are designed to exceed current energy and environmental standards. We have made a conscious commitment to developing environmentally innovative products that allow our customers to make energy efficient, eco-conscious choices. BOHN products reduce costs, improve bottom line, and enhance both equipment performance and service life. The PRO³ Top Mount and Side Mount packaged refrigeration systems have a reduced refrigerant charge compared to comparable split systems. Also, EC motors are available for the evaporator portion of these units for increased energy efficiency and decreased energy costs.

Top Mount

Nomenclature							
P	T	N	072	H	6	B	H
Product Line	Design Orientation	Application Location	Nominal Capacity	Temperature Range	Refrigerant Type	Voltage	Motor
P = PRO ³ Packaged Refrigeration System	T = Top Mount	N = Indoor	# = BTUH X 100	H = High/Medium	6 = R-404A	A = 115/1/60	H = PSC
	T = Outdoor			L = Low		B = 208-230/1/60	E = EC (evap. only)
				M = Medium w/electric defrost		C = 208-230/3/60	

Side Mount

Nomenclature							
P	S	T	072	L	6	B	H
Product Line	Design Orientation	Application Location	Nominal Capacity	Temperature Range	Refrigerant Type	Voltage	Motor
P = PRO ³ Packaged Refrigeration System	S = Side Mount	T = Outdoor	# = BTUH X 100	H = High/Medium	6 = R-404A	B = 208-230/1/60	H = PSC
				L = Low			E = EC (evap. only)
				M = Medium w/electric defrost			

FEATURES AND BENEFITS

The PRO³ Top Mount and Side Mount packaged refrigeration systems combine evaporator and condensing unit into one unit expediting installation time and reducing refrigerant charge — saving time, money, and energy.

These systems are designed to maximize storage space inside walk-in coolers or freezers and are ideal for small- to medium-sized restaurant and convenience store applications.

Systems are fully-assembled, evacuated, charged, run-tested and wired at the factory. No additional components are required.

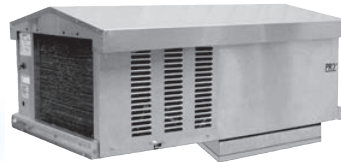


NSF listing applies to evaporator grill portion.

PRO³ Top Mount Installed



PRO³ Side Mount Installed



	Top Mount	Side Mount
Primary Application		
Optimized for indoor use	√	
Optimized for outdoor use	√	√
Aesthetics		
Maximum vertical storage capacity	√	
Restaurant-quality brushed-aluminum finish	√	√
Performance		
Recommended for temperature pull-down		√
Ideal for holding temperature	√	√
Maximum airflow		√
Medium-temp defrost		√
Environmentally Friendly		
Reduced refrigerant charge	√	√
R-404A ready	√	√
Energy Efficiency		
PSC Motors	√	√
EC Motors (Evaporator section only)	Available	Available
Ease of Installation		
Pre-charged with refrigerant	√	√
No refrigerant piping required	√	√
Evaporative condensate pan	√	Drain line needed
Controls		
Microprocessor control	√	√
Reliable Durable		
Liquid-line filter drier	Medium and large cabinet only	√
Two-year parts warranty	√	√

EC MOTORS FOR PRO3 TOP MOUNT PACKAGED REFRIGERATION SYSTEMS

Introducing the most energy efficient motor available for packaged refrigeration systems. Choosing energy efficient motors for your packaged systems can provide significant energy savings and lower operational costs. Additionally, because these motors can help reduce heat load (and system run-time), they can improve the reliability and longevity of refrigeration equipment.

Electronically Commutated (EC) motors even further improve energy efficiency and equipment reliability. EC motors by InterLink™ are up to 75% efficient – that's a 51-59% increase over shaded pole motors and a 30-35% increase over PSC motors. As with PSC motors, you save money both directly from a decrease in motor watts and also from a reduction of heat gain into the refrigerated space.

High Temperature Model		EC vs PSC Motors	Medium Temperature Model		EC vs PSC Motors	Low Temperature Model		EC vs PSC Motors
PTN 026H6		\$13	PTN 024M6		\$13	PT*021L6		\$18-\$30
PTN 031H6		\$13	PTN 029M6		\$13	PT*031L6		\$60
PTN 042H6		\$13	PTN 040M6		\$13	PT*044L6		\$60
PT* 050H6		\$23-\$32	PT* 047M6		\$23-\$32	PT*052L6		\$91
PT* 067H6		\$65	PT* 063M6		\$65	PT*069L6		\$91
PT* 076H6		\$65	PT* 072M6		\$65			
PT* 104H6		\$97	PT* 099M6		\$97			
PT* 133H6		\$97	PT* 128M6		\$97			

† Savings are calculated using a cost of \$.09/kWh
** T For Outdoor, N for Indoor.*

PRO³ Top Mount | Performance, Capacities and Specifications

Model PTN/PTT High/Medium Temperature | Air Defrost | Cooler Application

Model	80°F Ambient		90°F Ambient		95°F Ambient		100°F Ambient		110°F Ambient	
	Box Temperature									
	35° F	38° F	35° F	38° F	35° F	38° F	35° F	38° F	35° F	38° F
PTN026H6	2,970	3,100	2,730	2,860	2,610	2,740	2,470	2,600	2,230	2,340
PTN031H6	3,590	3,750	3,300	3,450	3,160	3,310	2,980	3,140	2,390	2,820
PTN042H6	4,950	5,170	4,560	4,760	4,360	4,570	4,110	4,330	3,710	3,890
PT*050H6	5,820	6,080	5,350	5,600	5,120	5,370	4,830	5,080	4,360	4,570
PT*067H6	7,800	8,150	7,180	7,500	6,860	7,190	6,470	6,810	5,850	6,130
PT*076H6	8,610	9,060	7,890	8,260	7,500	7,840	7,100	7,420	6,270	6,540
PT*104H6	12,990	13,750	11,800	12,490	11,190	11,810	10,550	11,200	9,260	9,840
PT*133H6	14,780	15,600	13,530	14,260	12,790	13,500	12,040	12,750	10,740	11,310

Model PTN/PTT Medium Temperature | Electric Defrost | Freezer Application

Model	80°F Ambient		90°F Ambient		95°F Ambient		100°F Ambient		110°F Ambient	
	Box Temperature									
	35° F	35° F	35° F	35° F	35° F	35° F	35° F	35° F	35° F	35° F
PTN024M6	2,970		2,730		2,610		2,470		2,230	
PTN029M6	3,590		3,300		3,160		2,980		2,390	
PTN040M6	4,950		4,560		4,360		4,110		3,710	
PT*047M6	5,820		5,350		5,120		4,830		4,360	
PT*063M6	7,800		7,180		6,860		6,470		5,850	
PT*072M6	8,610		7,890		7,500		7,100		6,270	
PT*099M6	12,990		11,800		11,190		10,550		9,260	
PT*128M6	14,780		13,530		12,790		12,040		10,740	

**T For Outdoor, N for Indoor.*

PRO³ TOP MOUNT | PERFORMANCE, CAPACITIES AND SPECIFICATIONS

Model PTN/PTT Low Temperature | Electric Defrost | Freezer Application

Model	80°F Ambient			90°F Ambient			95°F Ambient			100°F Ambient			110°F Ambient		
	Box Temperature														
	0° F	-10° F	-20° F	0° F	-10° F	-20° F	0° F	-10° F	-20° F	0° F	-10° F	-20° F	0° F	-10° F	-20° F
PT*021L6	3,220	2,590	1,610	2,860	2,300	1,430	2,680	2,160	1,340	2,470	1,990	1,230	2,080	1,670	1,030
PT*031L6	5,060	3,830	2,470	4,500	3,400	2,200	4,220	3,190	2,060	3,880	2,940	1,900	3,260	2,470	1,600
PT*044L6	7,040	5,440	4,080	6,260	4,830	3,630	5,870	4,530	3,400	5,400	4,170	3,130	4,540	3,500	2,630
PT*052L6	8,400	6,430	4,690	7,470	5,720	4,170	7,000	5,360	3,910	6,440	4,930	3,600	5,410	4,140	3,020
PT*069L6	10,870	8,520	6,300	9,670	7,850	5,600	9,060	7,100	5,250	8,340	6,530	4,830	7,010	5,490	4,060

Model PTN/PTT Electrical Data | Specifications | All Models

Model	Compressor Model	Voltage	MCA	MOPD	Unit amps	Evaporator CFM	Plug Supplied	Matching NEMA Receptacle	Dimensions Figure ¹	Approximate Net Weight	
										lbs.	kg
PTN 026H6A [^]	ASE20C4E	115/1/60	7.4	15	5.9	340	Yes	5-20R	A	88	40
PTN 031H6A [^]	ASE26C4E	115/1/60	8.3	15	6.9	340	Yes	5-20R	A	90	41
PTN 042H6A [^]	ASE35C4E	115/1/60	11.3	15	9.3	340	Yes	5-20R	A	92	42
PTN 050H6A [^]	RST45C1E	115/1/60	14.0	20	11.6	350	Yes	5-20R	B	192	87
PT*050H6B [^]	RST45C1E	208-230/1/60	7.0	15	5.9	350	Yes ²	6-15R	B	192	87
PT*067H6B [^]	RST64C1E	208-230/1/60	11.5	15	9.5	550	Yes ²	6-15R	B	207	94
PT*076H6B [^]	RST70C1E	208-230/1/60	9.7	15	8.63	500	Yes ²	6-15R	B	211	95
PT*104H6B [^]	CS10K6E	208-230/1/60	14.8	20	12.4	875	Yes ²	6-20R	C	270	122
PT*104H6C [^]	CS10K6E	208-230/3/60	11.0	15	9.3	875	–	–	C	265	120
PT*133H6B [^]	CS12K6E	208-230/1/60	14.8	20	12.4	825	Yes ²	6-20R	C	290	132
PT*133H6C [^]	CS12K6E	208-230/3/60	11.0	15	9.3	825	–	–	C	285	129
PT*024M6A [^]	ASE20C4E	115/1/60	7.4	15	5.9	340	Yes	5-20R	A	88	40
PT*029M6A [^]	ASE26C4E	115/1/60	8.3	15	6.9	340	Yes	5-20R	A	90	41
PT*040M6A [^]	ASE35C4E	115/1/60	11.3	15	9.3	340	Yes	5-20R	A	92	42
PTN 047M6A [^]	RST45C1E	115/1/60	14.0	20	11.6	350	Yes	5-20R	B	192	87
PT*047M6B [^]	RST45C1E	208-230/1/60	7.0	15	5.9	350	Yes ²	6-15R	B	192	87
PT*063M6B [^]	RST64C1E	208-230/1/60	11.5	15	9.5	550	Yes ²	6-15R	B	207	94
PT*072M6B [^]	RST70C1E	208-230/1/60	9.7	15	8.63	500	Yes ²	6-15R	B	211	95
PT*099M6B [^]	CS10K6E	208-230/1/60	14.8	20	12.4	875	Yes ²	6-20R	C	270	122
PT*099M6C [^]	CS10K6E	208-230/3/60	11.0	15	9.3	875	–	–	C	265	120
PT*128M6B [^]	CS12K6E	208-230/1/60	14.8	20	12.4	825	Yes ²	6-20R	C	290	132
PT*128M6C [^]	CS12K6E	208-230/3/60	11.0	15	9.3	825	–	–	C	285	129
PT*021L6A [^]	AJA2425ZXD	115/1/60	14.5	20	12.3	350	Yes	5-20R	B	213	97
PT*021L6B [^]	AJA2425ZXD	208-230/1/60	7.6	15	6.5	350	Yes ²	6-15R	B	213	97
PT*031L6B [^]	CF04K6E	208-230/1/60	13.8	15	11.6	550	Yes ²	6-15R	B	221	100
PT*044L6B [^]	CF06K6E	208-230/1/60	15.9	20	13.3	520	Yes ²	6-20R	B	225	102
PT*052L6B [^]	CF06K6E	208-230/1/60	18.1	20	15.3	900	–	–	C	275	125
PT*052L6C [^]	CF06K6E	208-230/3/60	12.2	15	13.0	900	–	–	C	270	122
PT*069L6B [^]	CF09K6E	208-230/1/60	23.8	30	20.0	875	–	–	C	280	127
PT*069L6C [^]	CF09K6E	208-230/3/60	15.9	20	14.2	875	–	–	C	275	125

[^] Indicates either E for EC evaporator motor or H for PSC evaporator motor

*T For Outdoor, N for Indoor.

² Plug Supplied on Indoor models only.

¹ See dimensions page 6.

PRO³ TOP MOUNT | PERFORMANCE, CAPACITIES AND SPECIFICATIONS

AWEF VALUES: MEDIUM/HIGH TEMPERATURE
SYSTEMS COOLER APPLICATION

MODEL	INDOOR	OUTDOOR
	R404A	R404A
PTN026H6	1.76	-
PTN031H6	2.07	-
PTN042H6	2.17	-
PT*050H6	2.56	3.02 [^]
PT*067H6	2.04	2.41
PT*076H6	2.37	2.87
PT*104H6	2.41	2.89
PT*133H6	2.53	3.16
PTN024M6	1.76	-
PTN029M6	2.07	-
PTN040M6	2.17	-
PT*047M6	2.56	3.02 [^]
PT*063M6	2.04	2.41
PT*072M6	2.37	2.87
PT*099M6	2.41	2.89
PT*128M6	2.53	3.16

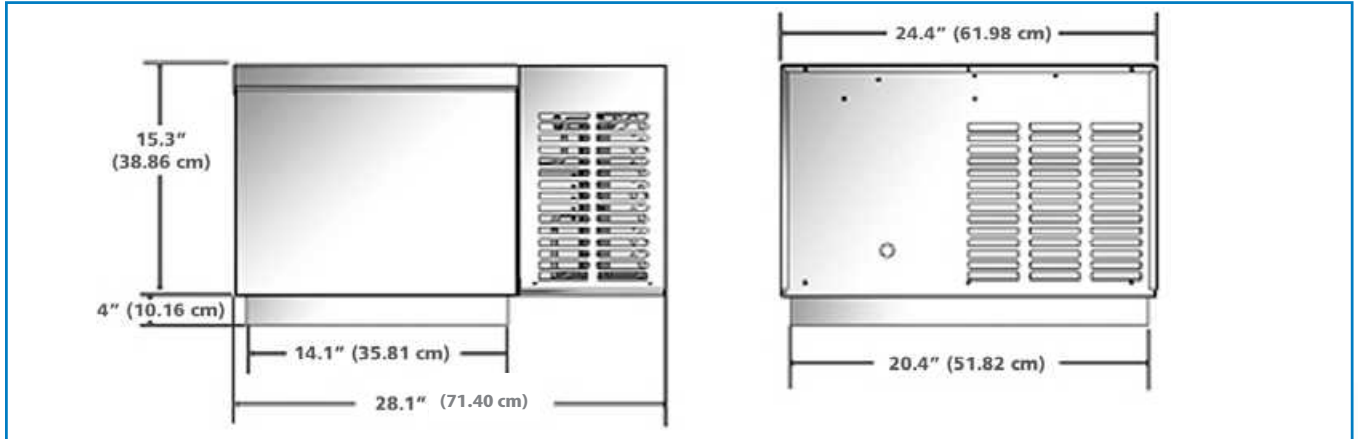
These refrigeration systems are designed and certified for use in walk-in cooler applications.

* T= Outdoors, N = Indoors

[^] = Outdoor is only available for 230/1/60 Units

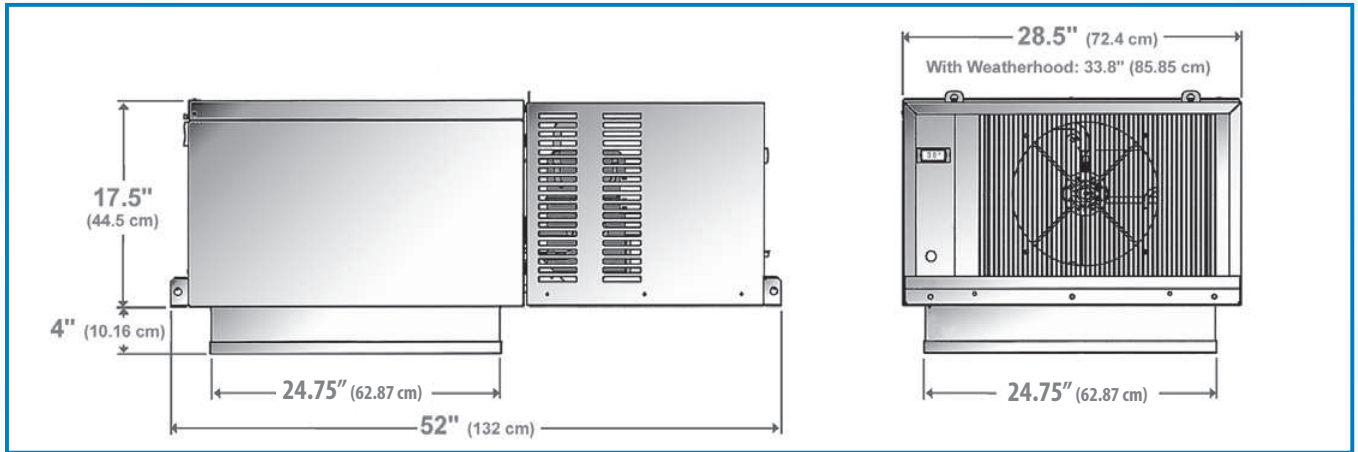
PRO³ TOP MOUNT | DIMENSIONS

Figure A Small Cabinet Design (indoor only)



14.5"x20.75" panel opening required for evaporator section of small cabinet sizes.

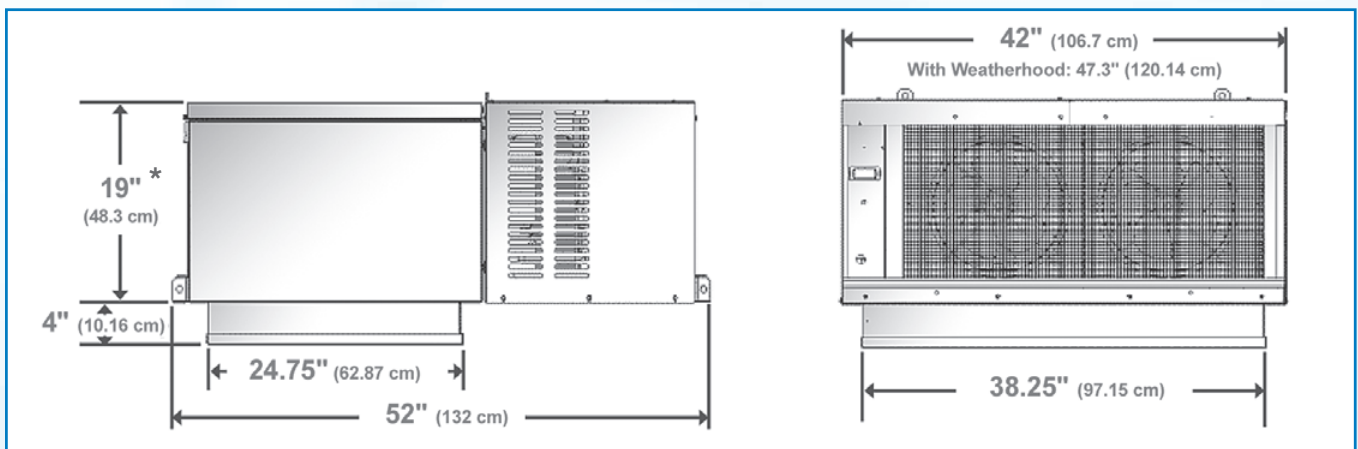
Figure B Medium Cabinet Design



25"x25" panel opening required for evaporator section of medium cabinet sizes.

~ 21.5" (54.61 cm) on outdoor models with weatherhood

Figure C Large Cabinet Design



25"x38.5" panel opening required for evaporator section of large cabinet sizes.

*- 23.5" (59.69 cm) on outdoor models with weatherhood

* For installation instructions refer to the Installation and Operation Manual.

PRO³ SIDE MOUNT | PERFORMANCE, CAPACITIES AND SPECIFICATIONS

Model PST High/Medium Temperature | Air Defrost | Cooler Application

Model	80° F Ambient		90° F Ambient		95° F Ambient		100° F Ambient		110° F Ambient	
	Box Temperature									
	35° F	38° F	35° F	38° F	35° F	38° F	35° F	38° F	35° F	38° F
PST070H6B*	7,066	7,414	6,860	7,198	6,641	6,968	6,442	6,759	5,678	5,957
PST090H6B*	9,196	9,644	8,928	9,363	8,643	9,064	8,383	8,792	7,389	7,749
PST131H6B*	13,244	13,946	12,859	13,540	12,448	13,107	12,074	12,714	10,643	11,207
PST147H6B*	14,982	15,702	14,545	15,245	14,081	14,758	13,658	14,315	12,039	12,618

Model PST Medium Temperature | Electric Defrost | Cooler Application

Model	80° F Ambient		90° F Ambient		95° F Ambient		100° F Ambient		110° F Ambient	
	35° F Box Temperature									
PST066M6B*	7,066		6,860		6,641		6,442		5,678	
PST086M6B*	9,196		8,928		8,643		8,383		7,389	
PST124M6B*	13,244		12,859		12,448		12,074		10,643	
PST141M6B*	14,982		14,545		14,081		13,658		12,039	

Model PST Low Temperature | Electric Defrost | Freezer Application

Model	80° F Ambient			90° F Ambient			95° F Ambient			100° F Ambient			110° F Ambient		
	Box Temperature														
	0° F	-10° F	-20° F	0° F	-10° F	-20° F	0° F	-10° F	-20° F	0° F	-10° F	-20° F	0° F	-10° F	-20° F
PST034L6B*	5,584	4,052	2,659	5,031	3,651	2,395	4,746	3,444	2,260	4,366	3,168	2,079	3,726	2,704	1,774
PST051L6B*	7,683	6,025	4,377	6,922	5,428	3,943	6,530	5,121	3,720	6,008	4,711	3,423	5,126	4,020	2,920
PST057L6B*	8,873	6,748	4,609	7,994	6,079	4,153	7,541	5,735	3,918	6,938	5,276	3,604	5,920	4,502	3,075
PST077L6B*	11,769	9,079	6,694	10,602	8,179	6,030	10,002	7,716	5,689	9,202	7,099	5,234	7,852	6,057	4,466

Model PST Electrical Data | Specifications

Model	Compressor Model	Voltage	MCA	MOPD	Evaporator CFM	Dimensions Figure ¹	Approximate Net Weight	
							lbs.	kg
PST070H6B*	RST64C1E	208-230/1/60	15.0	20.0	625	D	260	118
PST090H6B*	RST70C1E	208-230/1/60	15.0	20.0	625	D	265	120
PST131H6B*	CS10K6E	208-230/1/60	15.0	20.0	1,350	E	320	145
PST147H6B*	CS12K6E	208-230/1/60	15.0	20.0	1,350	E	325	148
PST066M6B*	RST64C1E	208-230/1/60	15.0	20.0	625	D	260	118
PST086M6B*	RST70C1E	208-230/1/60	15.0	20.0	625	D	265	120
PST124M6B*	CS10K6E	208-230/1/60	15.0	20.0	1,350	E	320	145
PST141M6B*	CS12K6E	208-230/1/60	15.0	20.0	1,350	E	325	148
PST034L6B*	CF04K6E	208-230/1/60	15.0	20.0	625	D	260	118
PST051L6B*	CF06K6E	208-230/1/60	15.0	20.0	625	D	265	120
PST057L6B*	CF06K6E	208-230/1/60	15.0	20.0	1,350	E	320	145
PST077L6B*	CF09K6E	208-230/1/60	20.7	35.0	1,350	E	325	148

* H for PSC, E for EC motor on evaporator section only.

¹ See dimensional diagrams, page 8 and 9.

AWEF VALUES: MEDIUM/HIGH TEMPERATURE SYSTEMS COOLER APPLICATION

MODEL	INDOOR	OUTDOOR
	R404A	R404A
PST066M6	-	3.45
PST086M6	-	4.16
PST124M6	-	3.73
PST141M6	-	4.13

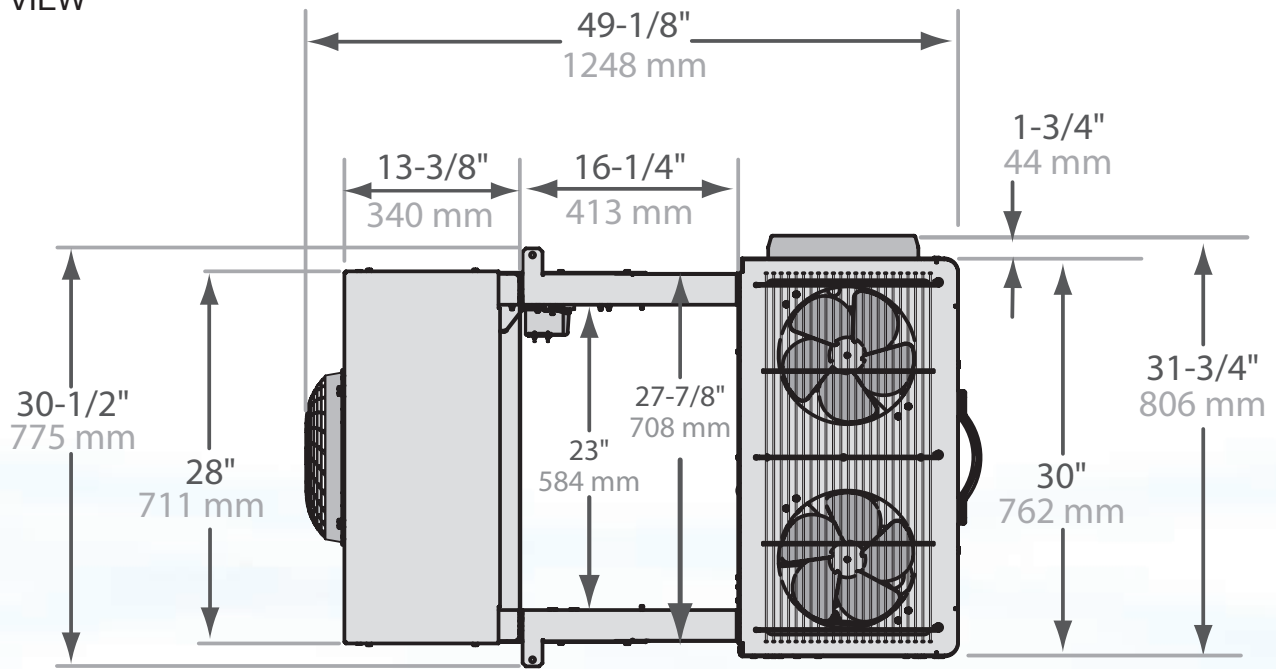
These refrigeration systems are designed and certified for use in walk-in cooler applications.

PST= Outdoors

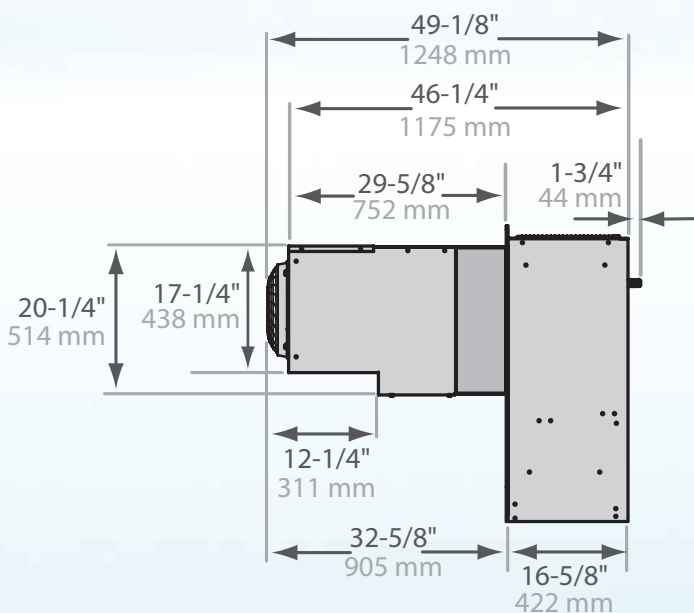
PRO³ SIDE MOUNT | DIMENSIONS

Figure D Model PST | Small Cabinet

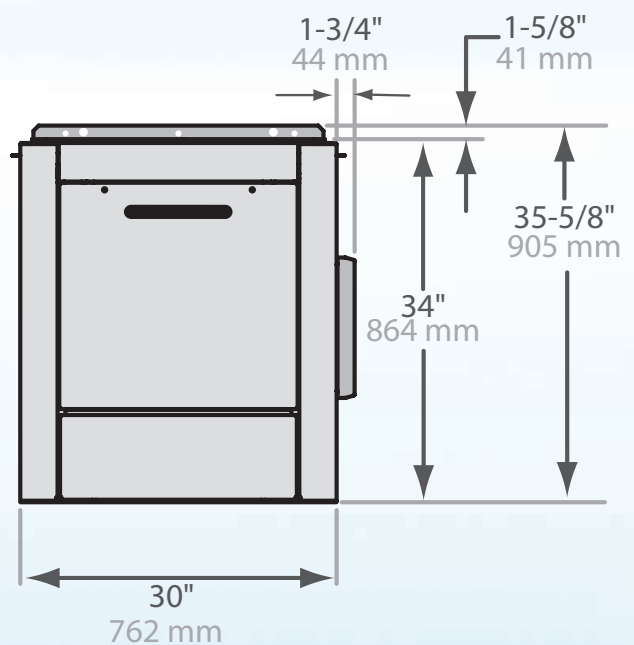
TOP VIEW



SIDE VIEW



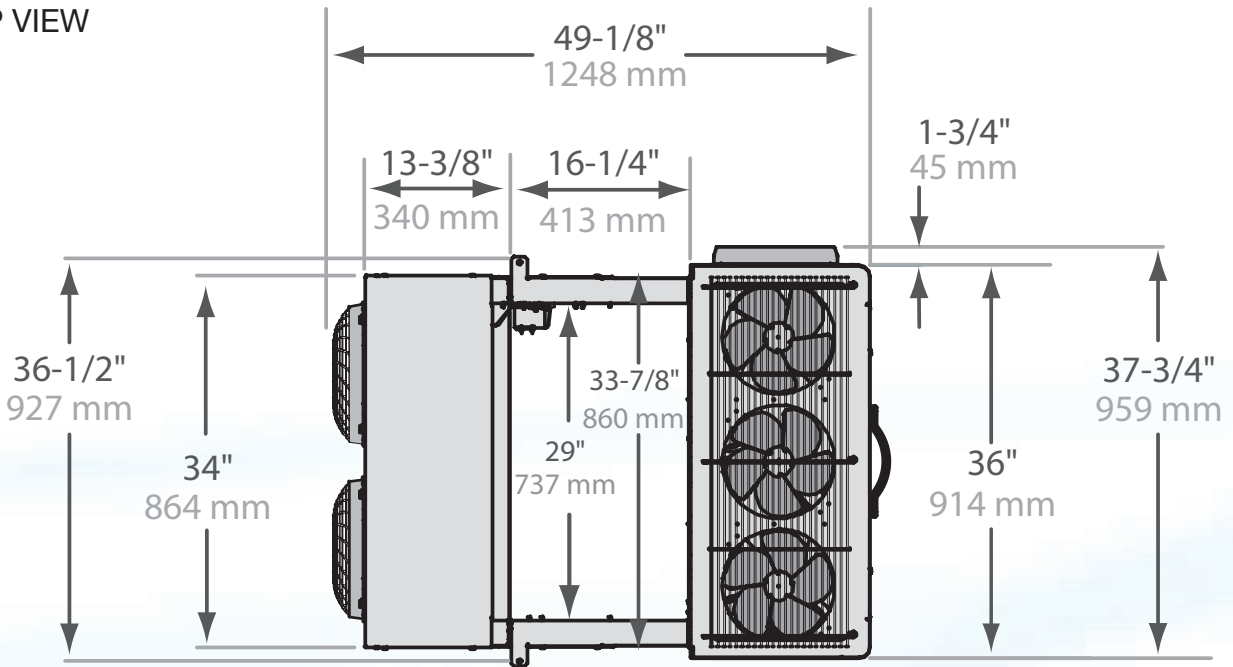
BACK VIEW



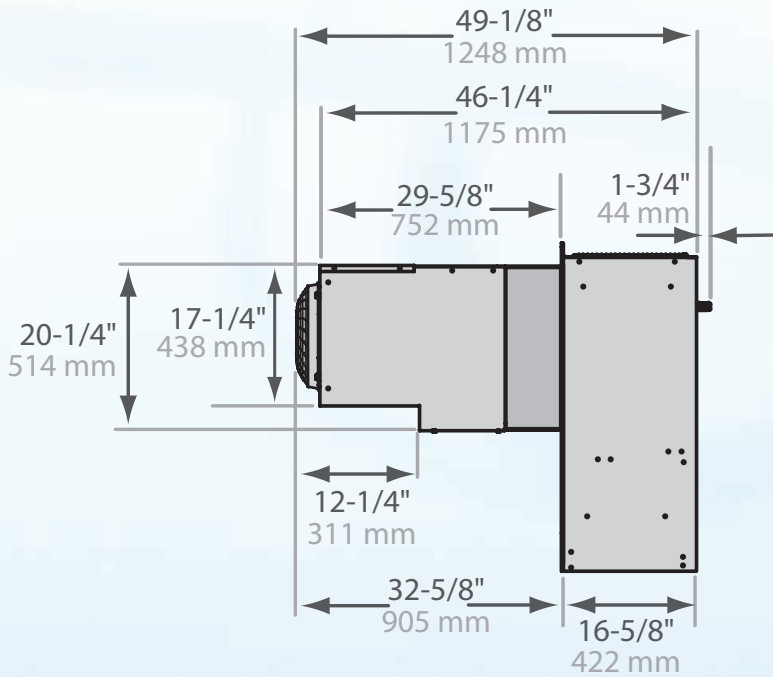
PRO³ SIDE MOUNT | DIMENSIONS

Figure E Model PST | Large Cabinet

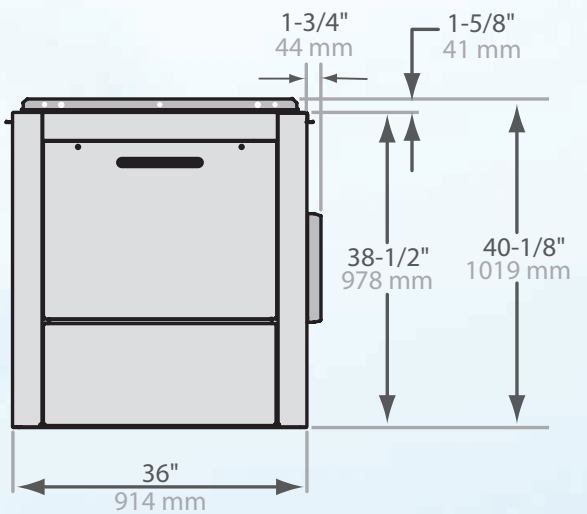
TOP VIEW



SIDE VIEW



BACK VIEW



REPLACEMENT PARTS



Right source. Right parts. Right now.

InterLink™ is your link to a complete line of dependable and certified commercial refrigeration parts, accessories and innovative electronic controls for all Bohn equipment. At InterLink, we provide our wholesalers with a comprehensive selection of product solutions and innovative technologies for the installed customer base. And every product is built to ensure the same high performance standards with which all Heatcraft brands are built — backed by a dedicated team to serve every customer need, delivering at the best lead times in the industry.

Dependable. Versatile. Courteous.

Finally, one simple source for all your replacement needs from a name you can trust.

For parts, please contact (800) 686-7278 or visit heatcraftprd.com.

Part Description		Part Number	PRO ³ Top Mount Indoor Models																																
			High Temp									Med Temp									Low Temp														
			PTN026H6A [^]	PTN031H6A [^]	PTN042H6A [^]	PTN050H6A [^]	PTN024M6A [^]	PTN029M6A [^]	PTN040M6A [^]	PTN047M6A [^]	PTN019L6A [^]	PTN021L6A [^]	PTN024M6A [^]	PTN029M6A [^]	PTN040M6A [^]	PTN047M6A [^]	PTN047M6B [^]	PTN063M6B [^]	PTN072M6B [^]	PTN099M6B [^]	PTN099M6C [^]	PTN128M6B [^]	PTN128M6C [^]	PTN019L6A [^]	PTN021L6A [^]	PTN021L6B [^]	PTN031L6B [^]	PTN044L6B [^]	PTN052L6B [^]	PTN052L6C [^]	PTN069L6B [^]	PTN069L6C [^]			
Fan Blades	Evaporator	22901901				1	1	2	2	3	3	3				1	1	2	2	3	3	3	3			1	1	2	2	3	3	3	3		
	Evaporator	23100501	1	1	1											1	1	1									1								
	Condenser	22900701				1	1	1	1	2	2	2				1	1	1	1	2	2	2	2				1	1	1	1	2	2	2	2	
	Condenser	22900601	1	1	1											1	1	1									1								
Fan Motors	Evaporator (208-230V)	25307801														1	2	2	3	3	3	3				1	2	2	3	3	3	3			
	Evaporator (115V)*	25319301	1	1	1		1	1	1		1				1												1								
	Evaporator (115V)*	25319401				1				1	1	1														1									
	Condenser (208-230V)	25307801														1	1	1	2	2	2	2				1	1	1	2	2	2	2			
	Condenser (115V)*	25308501	1	1	1	1	1	1	1	1	1	1				1										1									
	Evap Fan Motor Bracket	4000104				1	1	2	2	3	3	3				1	1	2	2	3	3	3	3			1	1	2	2	3	3	3	3		
	Evap Fan Motor Bracket	23101401	1	1	1											1	1	1								1									
	Cond Fan Motor Bracket	23103301				1	1	1	1	2	2	2				1	1	1	1	2	2	2	2			1	1	1	1	2	2	2	2		
Cond Fan Motor Bracket	23101101	1	1	1											1	1	1								1										
Contactors	25A, 208-230	2259996																															1	1	
	20A, 115V	2252303	1	1	1	1										1	1	1	1							1	1								
	20A, 230V	R034915200				1	1	1	1		1					1	1	1	1		1						1	1	1	1			1		
Temperature Control	Temp Control (208-230V)	21301001				1	1	1	1	1	1					1	1	1	1	1	1	1					1	1	1	1	1	1	1		
	Temp Control (115V)	21301101	1	1	1	1										1	1	1	1							1	1								
	Room Temp Sensor	28913702	1	1	1	1	1	1	1	1	1	1				1	1	1	1	1	1	1	1			1	1	1	1	1	1	1	1		
	Defrost Temp Sensor	28913701	1	1	1	1	1	1	1	1	1	1				1	1	1	1	1	1	1	1			1	1	1	1	1	1	1	1		
Heater Limit Thermostat	5708L	1	1	1	1	1	1	1	1	1	1				1	1	1	1	1	1	1	1			1	1	1	1	1	1	1	1			
Defrost Heaters	Defrost Heaters (115V)	24751901														1	1	1								1									
	Defrost Heaters (115V)	24712101														1											3								
	Defrost Heaters (230V)	4312F															3	3	3								3	3	3						
	Defrost Heaters (230V)	4313F																															3	3	3

[^] H for PSC, E for EC motor on evaporator section only.
^{*}PSC motor option (H designation on end of model name): part 25319301 = 25399201, part 25319401 = 25308501, part 25308501 = 25308501. Contact InterLink Parts at 800-686-7278.

REPLACEMENT PARTS

Part Description		Part Number	PRO ³ Top Mount Outdoor Models																				
			High Temp						Med Temp					Low Temp									
			PTT050H6B^	PTT067H6B^	PTT076H6B^	PTT104H6B^	PTT104H6C^	PTT133H6B^	PTT133H6C^	PTT047M6B^	PTT063M6B^	PTT072M6B^	PTT099M6B^	PTT099M6C^	PTT128M6B^	PTT128M6C^	PTT021L6B^	PTT031L6B^	PTT044L6B^	PTT052L6B^	PTT052L6C^	PTT069L6B^	PTT069L6C^
Fan Blades	Evaporator	22901901	1	2	2	3	3	3	3	1	2	2	3	3	3	3	1	2	2	3	3	3	3
	Condenser	22900701	1	1	1	2	2	2	2	1	1	1	2	2	2	2	1	1	1	2	2	2	2
Fan Motors	Evaporator (208-230V)*	25319501	1	2	2	3	3	3	3	1	2	2	3	3	3	3	1	2	2	3	3	3	3
	Condenser (208-230V)*	25308601	1	1	1	2	2	2	2	1	1	1	2	2	2	2	1	1	1	2	2	2	2
	Evap Fan Motor Bracket	4000104	1	2	2	3	3	3	3	1	2	2	3	3	3	3	1	2	2	3	3	3	3
	Cond Fan Motor Bracket	23103301	1	1	1	2	2	2	2	1	1	1	2	2	2	2	1	1	1	2	2	2	2
Contactors	25A, 208-230	2259996						1	1						1	1						1	1
	20A, 115V	2252303																					
	20A, 230V	R034915200	1	1	1	1		1		1	1	1	1		1		1	1	1	1		1	
Temperature Control	Temp Control (208-230V)	21301001	1	1	1	1	1	1	1	1	1	1	1	1	1	1	1	1	1	1	1	1	1
	Temp Control (115V)	21301101																					
	Room Temp Sensor	28913702	1	1	1	1	1	1	1	1	1	1	1	1	1	1	1	1	1	1	1	1	1
	Defrost Temp Sensor	28913701	1	1	1	1	1	1	1	1	1	1	1	1	1	1	1	1	1	1	1	1	1
	Heater Limit Thermostat	5708L	1	1	1	1	1	1	1	1	1	1	1	1	1	1	1	1	1	1	1	1	1
Defrost Heater	Defrost Heaters (230V)	4312F								3	3	3				3	3	3					
	Defrost Heaters (230V)	4313F											3	3	3	3				3	3	3	3
Outdoor Parts	Fan Pressure Control	28917301	1	1	1	1	1	1	1	1	1	1	1	1	1	1	1	1	1	1	1	1	1
	Fan Temp Control	5521R				1	1	1	1				1	1	1	1				1	1	1	1
	Drain Line Heater	24753401	1	1	1					1	1												
	Drain Line Heater T'stat	28917401	1	1	1	1	1	1	1	1	1	1	1	1	1	1	1	1	1	1	1	1	1
	Weatherhood Medium	50047901	1	1						1	1					1	1	1					
	Weatherhood Large	50047801											1	1	1	1	1				1	1	1

^ H for PSC, E for EC motor on evaporator section only.

*PSC motor option (H designation on end of model name): part 25319501 = 25308601, part 25308601 = 25308601. Contact InterLink Parts at 800-686-7278.

REPLACEMENT PARTS

Part Description	Part Number	PRO ³ Side Mount Models												
		Coolers				Coolers w/ electric defrost				Freezers				
		PST070H6B^	PST090H6B^	PST131H6B^	PST147H6B^	PST066M6B^	PST086M6B^	PST124M6B^	PST141M6B^	PST034L6B^	PST051L6B^	PST057L6B^	PST077L6B^	
Fan Blades	Evaporator	5140C	1	1	2	2	1	1	2	2	1	1	2	2
	Condenser	22901901	2	2	3	3	2	2	3	3	2	2	3	3
Fan Motors	Evaporator, PSC – 208/230 volt	25308601	1	1	2	2	1	1	2	2	1	1	2	2
	Evaporator, EC – 208/230 volt	25317701	1	1	2	2	1	1	2	2	1	1	2	2
	Condenser – 208/230 volt	25308301	2	2	3	3	2	2	3	3	2	2	3	3
	Evaporator fan motor bracket	23103301	1	1	2	2	1	1	2	2	1	1	2	2
	Condenser fan motor bracket	4000104	2	2	3	3	2	2	3	3	2	2	3	3
Contactors	30A, 230 volt	2252330	1	1	1	1	1	1	1	1	1	1	1	1
Temperature Control	Temperature control - 208/230 volt	21301001	1	1	1	1	1	1	1	1	1	1	1	1
	Heater limit thermostat	5708L					1	1	1	1	1	1	1	1
Defrost Heaters	Defrost heaters – 230 volt	4312F					3	3			3	3		
	Defrost heaters – 230 volt	4342L							3	3			3	3
Outdoor Parts	Fan pressure control	28917301	1	1	1	1	1	1	1	1	1	1	1	1
	Fan temperature control	5521R	1	1	1	1	1	1	1	1	1	1	1	1
	Drain line heater	24753401	1	1	1	1	1	1	1	1	1	1	1	1
	Drain line heater thermostat	28917401	1	1	1	1	1	1	1	1	1	1	1	1



2175 West Park Place Blvd. · Stone Mountain, GA 30087
Phone: 800.537.7775 · Fax: 770.465.5900
heatcrafterpd.com

BOHN

Since product improvement is a continuing effort, we reserve the right to make changes in specifications without notice.

BN-PROTB-0617 | Version 001