

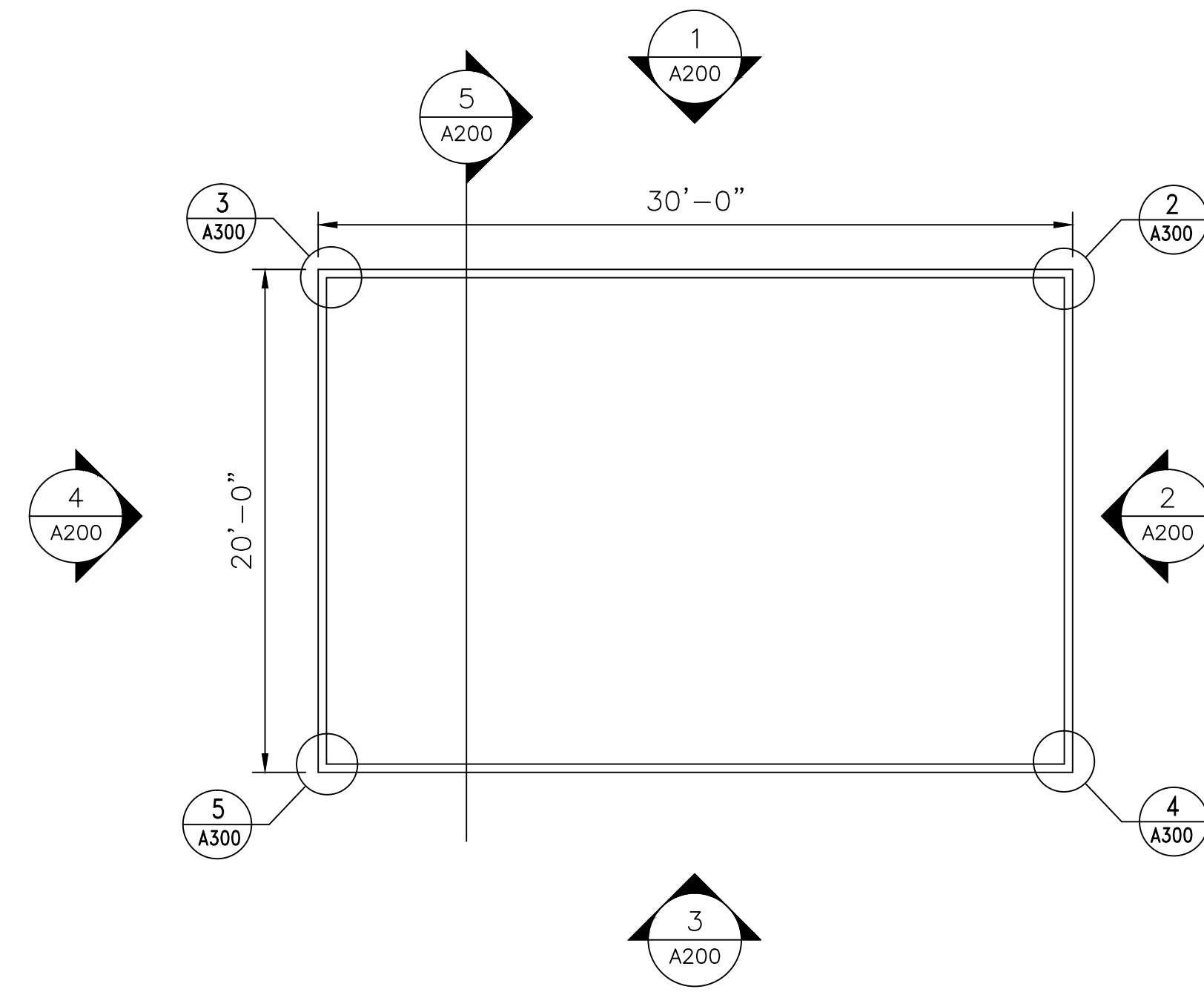
Barr Inc.
 1423 Planeview Drive
 Oshkosh, WI 54904
 920-231-1711 Phone

20' x 30' x 10'-4"
Drive-In Freezer

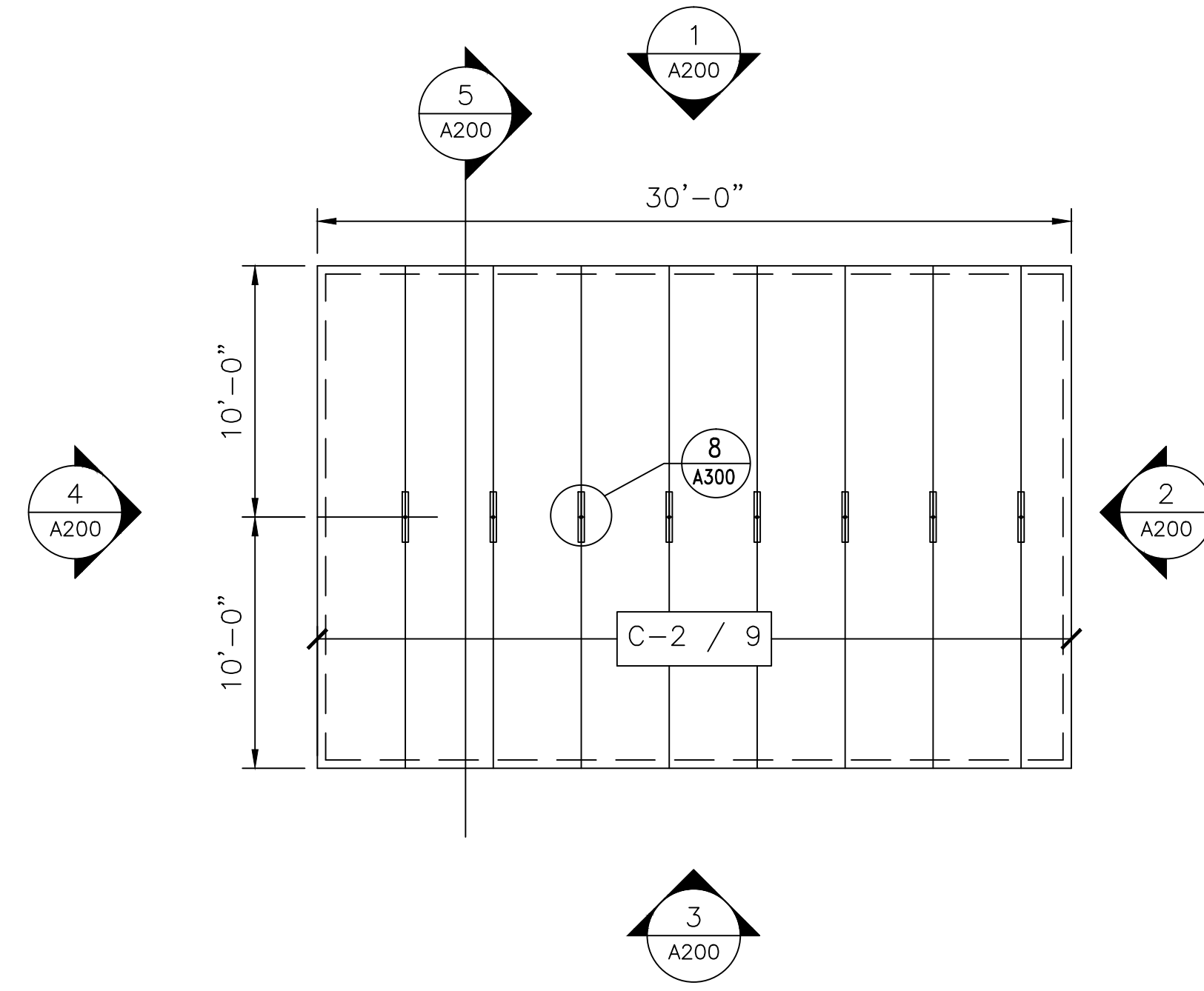
DRAWING INDEX

T.1	TITLE SHEET
A100	FLOOR/CEILING PLAN
A200	INSULATED WALL PANEL ELEVATIONS
A300	INSULATED WALL PANEL DETAILS

TITLE	TOLERANCES UNLESS SPECIFIED FRACTIONAL DECIMAL .015 X" ± 0'30" 1/16" ± 1/32" .005 .XXX ± .005 .XXX ± 0'05" .001 .XXX ± .001 .XXX ± 0'05"
Draftsman is not responsible for panel heights, quantities and / or dimensions. Contractor to verify all information.	
DR.BY: KRZ	
DATE: 8/30/2016	
SCALE: NTS	
CHECKED BY:	
SHEET NO. T.1	
20' x 30' x 10'-4" Drive-In Freezer	Barr Inc. 1423 Planeview Drive Oshkosh, WI 54904 920-231-1711 Phone
REVISION BY DATE	



1 FLOOR PLAN
A100 SCALE: N.T.S.



2 CEILING PLAN
A100 SCALE: N.T.S.

PANEL SCHEDULE

PANEL DESIG.	PANEL HEIGHT	QTY OF PANELS	PANEL THICK	PANEL SERIES	PANEL COLOR
W-1	10'-0"	30	4"	MESALINE	USDA WHITE
C-2	20'-0"	9	4"	MESALINE	USDA WHITE

REVISION	BY	DATE

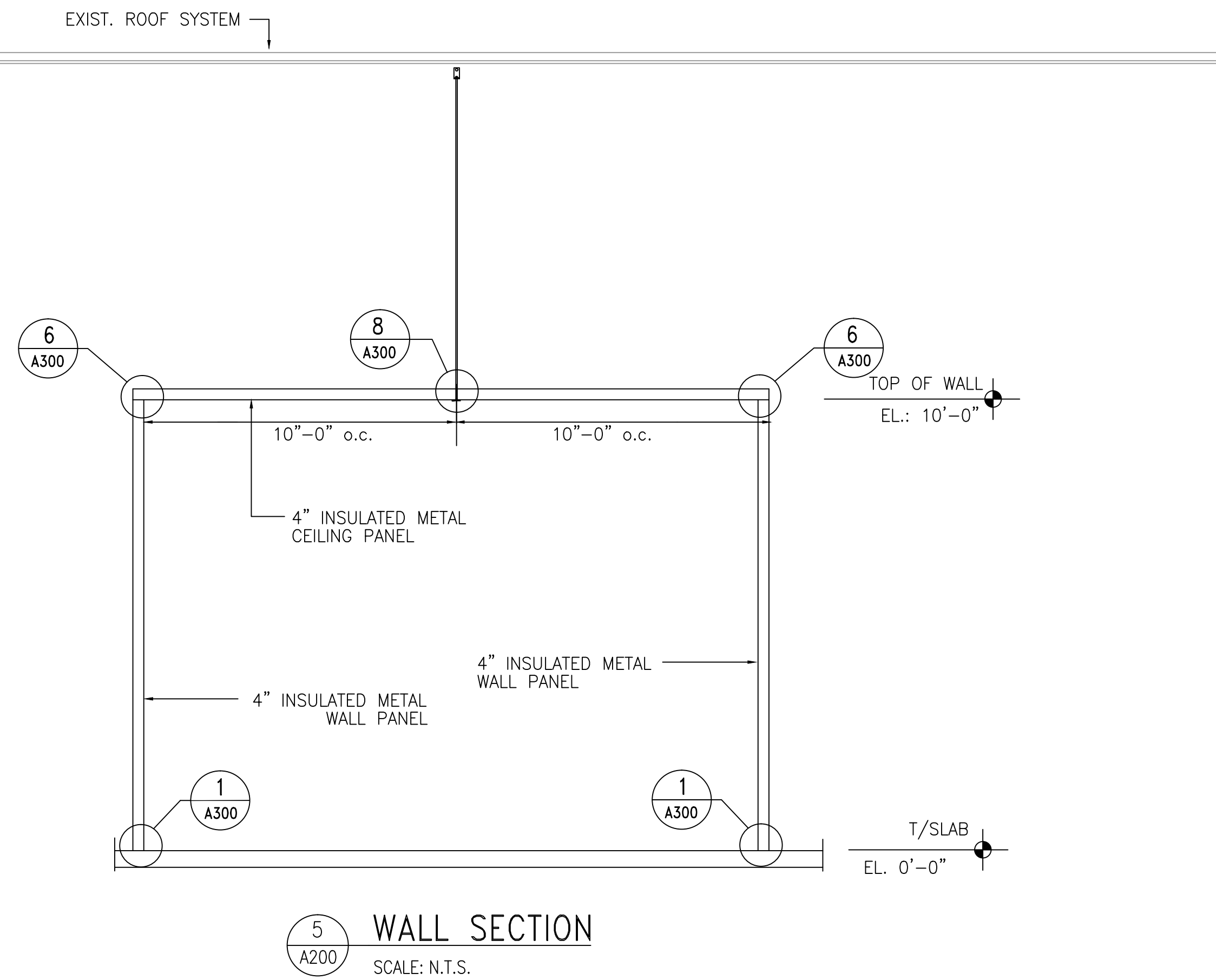
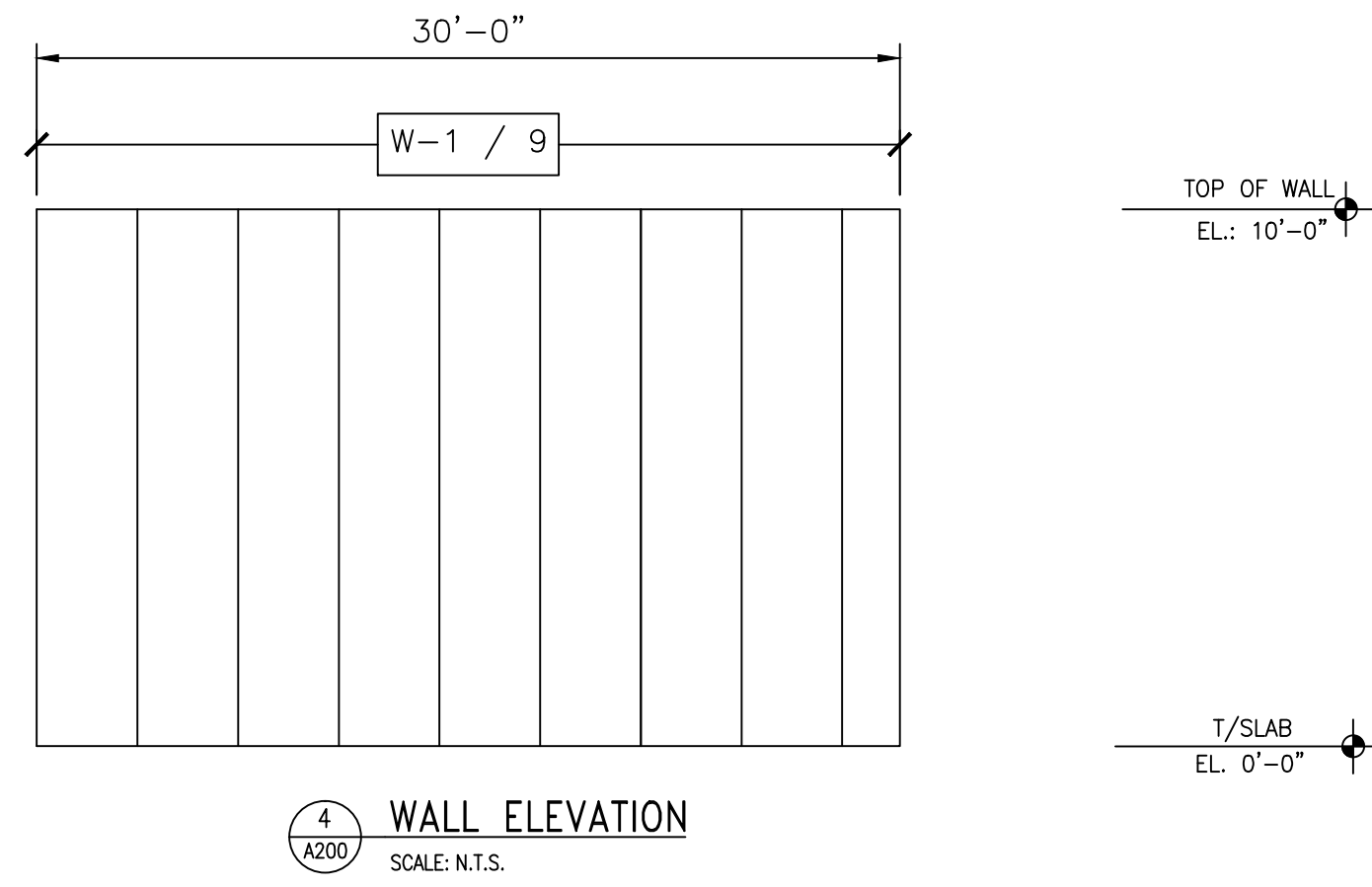
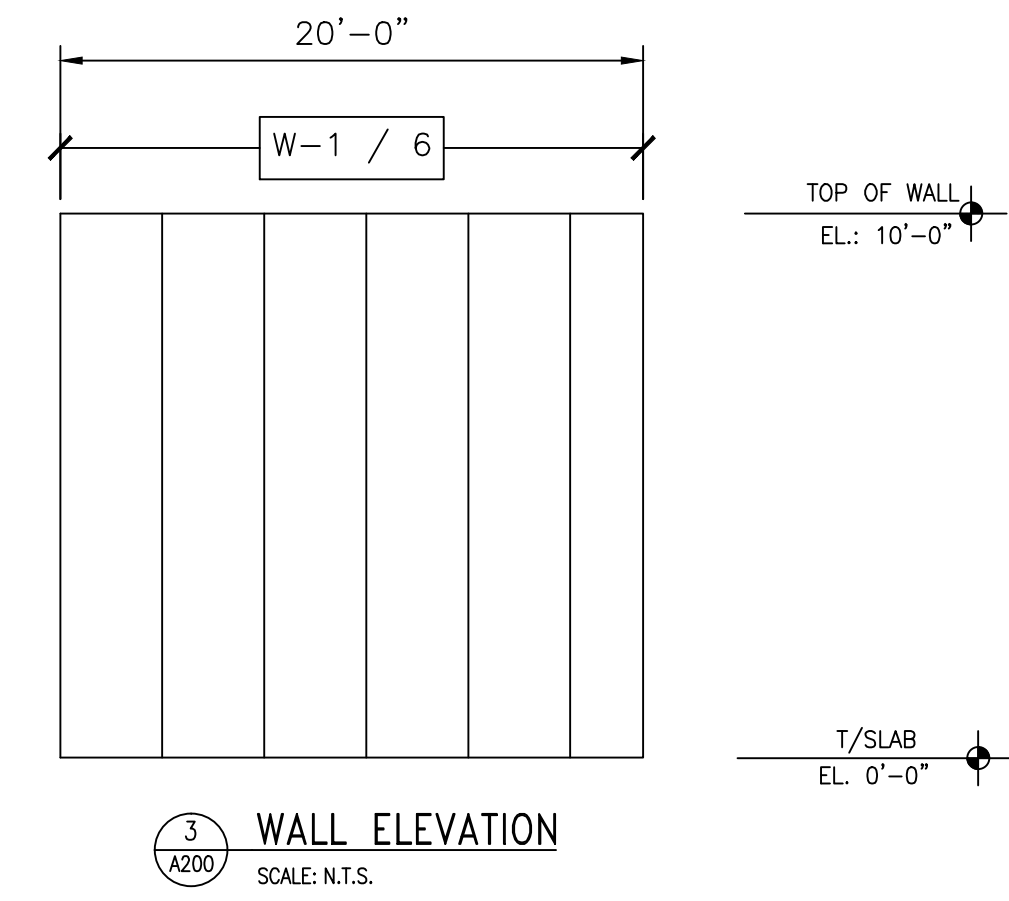
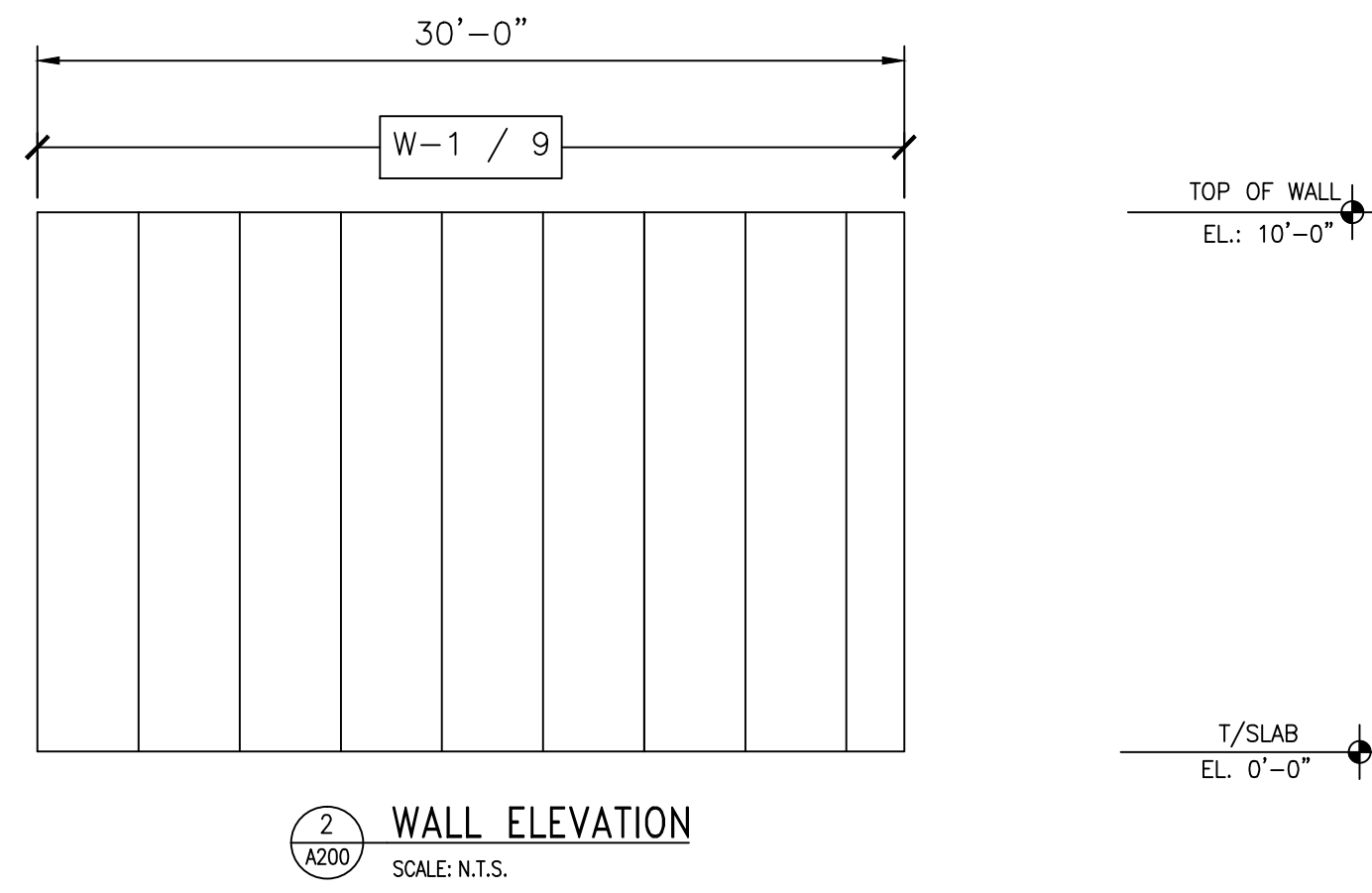
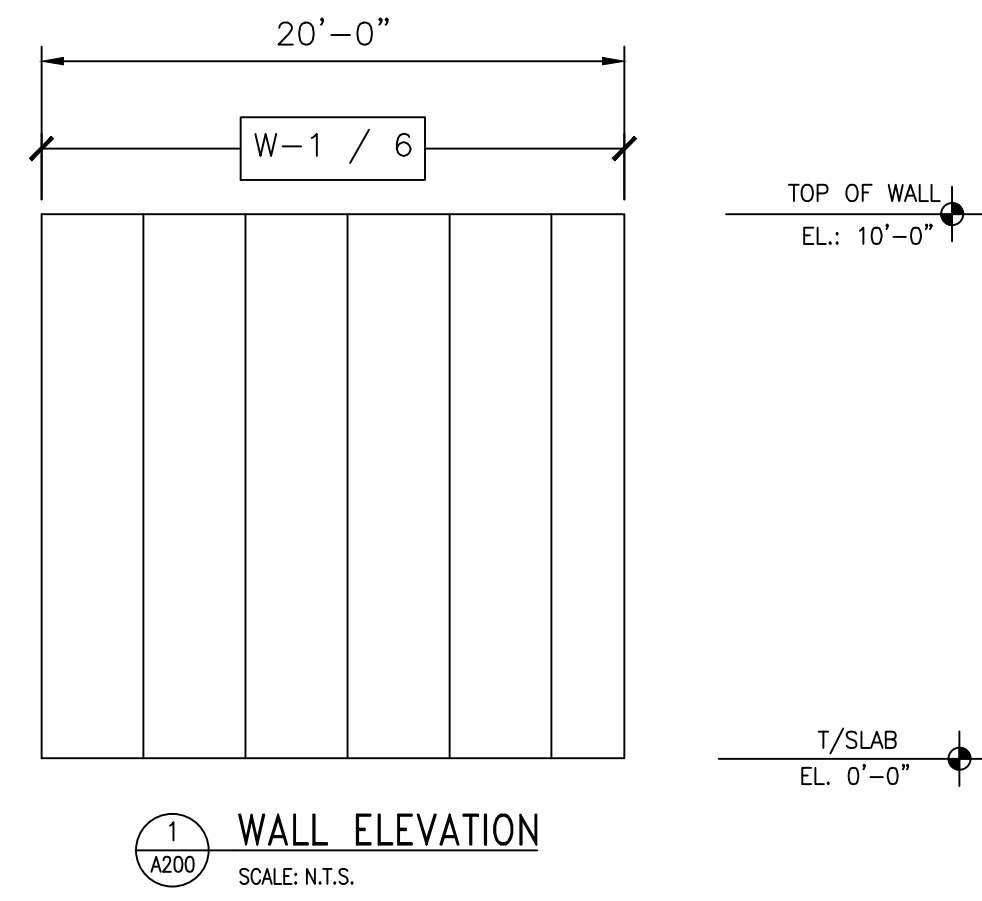
Barr Inc.
 1423 Planeview Drive
 Oshkosh, WI 54904
 920-231-1711 Phone

**20' x 30' x 10'-4"
 Drive-In Freezer**

TOLERANCES UNLESS SPECIFIED
 FRACTIONAL ± .015 X ± 0'30"
 DECIMAL ± .005 XXX ± 0'05"
 X/X" ± 1/32" .XXXX ± .001
 ANGLE
 XXX ± .005
 XXX ± .001
 Draftsman is not responsible for panel heights, quantities and / or dimensions. Contractor to verify all information.

FLOOR PLAN

DR.BY: KRZ
 DATE: 8/30/2016
 SCALE: NTS
 CHECKED BY:
 SHEET NO. A100



PANEL SCHEDULE

PANEL DESIG.	PANEL HEIGHT	QTY. OF PANELS	PANEL THICK	PANEL SERIES	PANEL COLOR
W-1	10'-0"	30	4"	MESALINE	USDA WHITE
C-2	20'-0"	9	4"	MESALINE	USDA WHITE

REVISION	BY	DATE

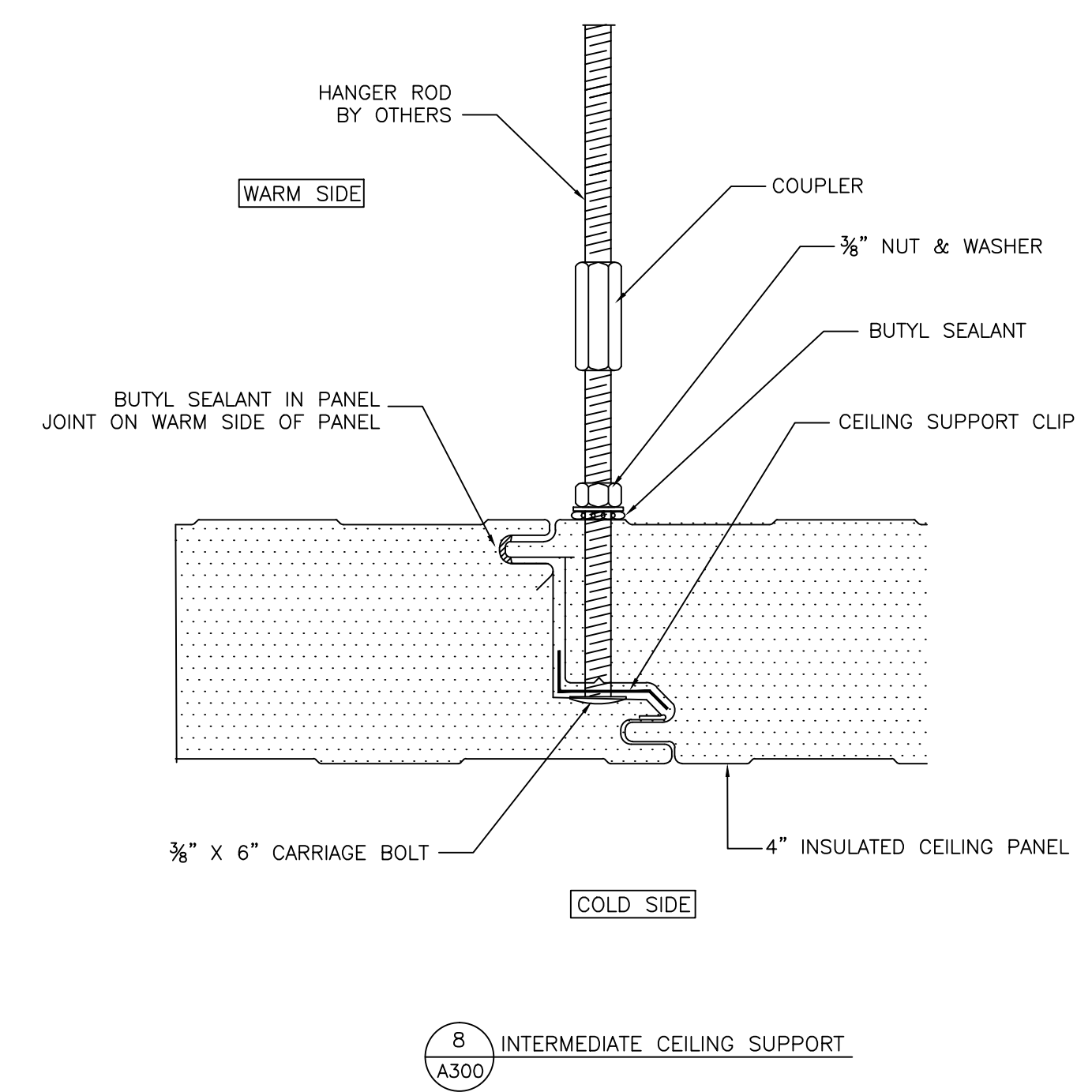
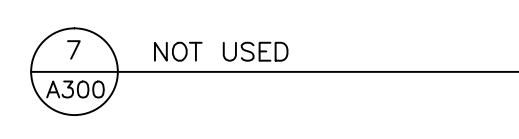
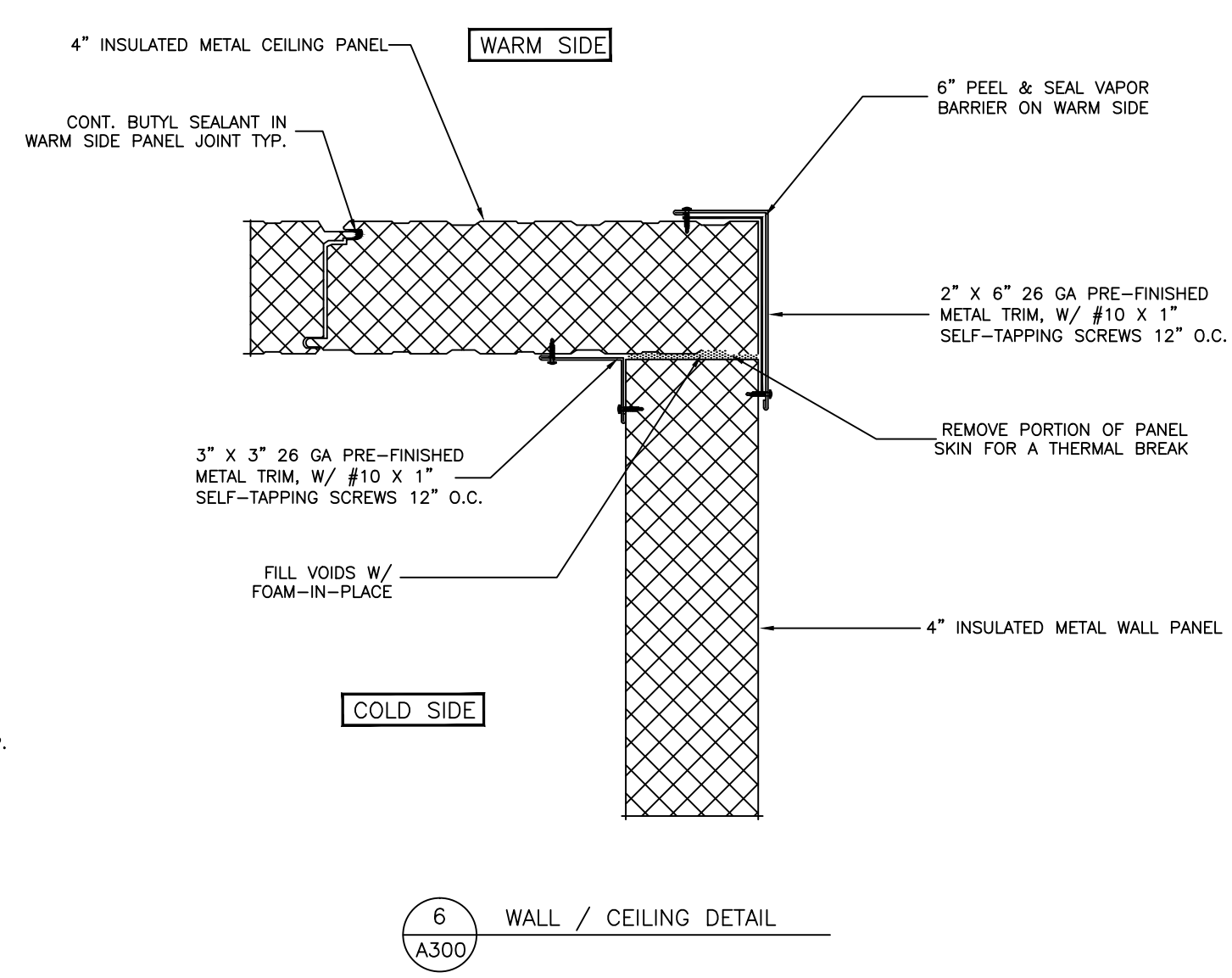
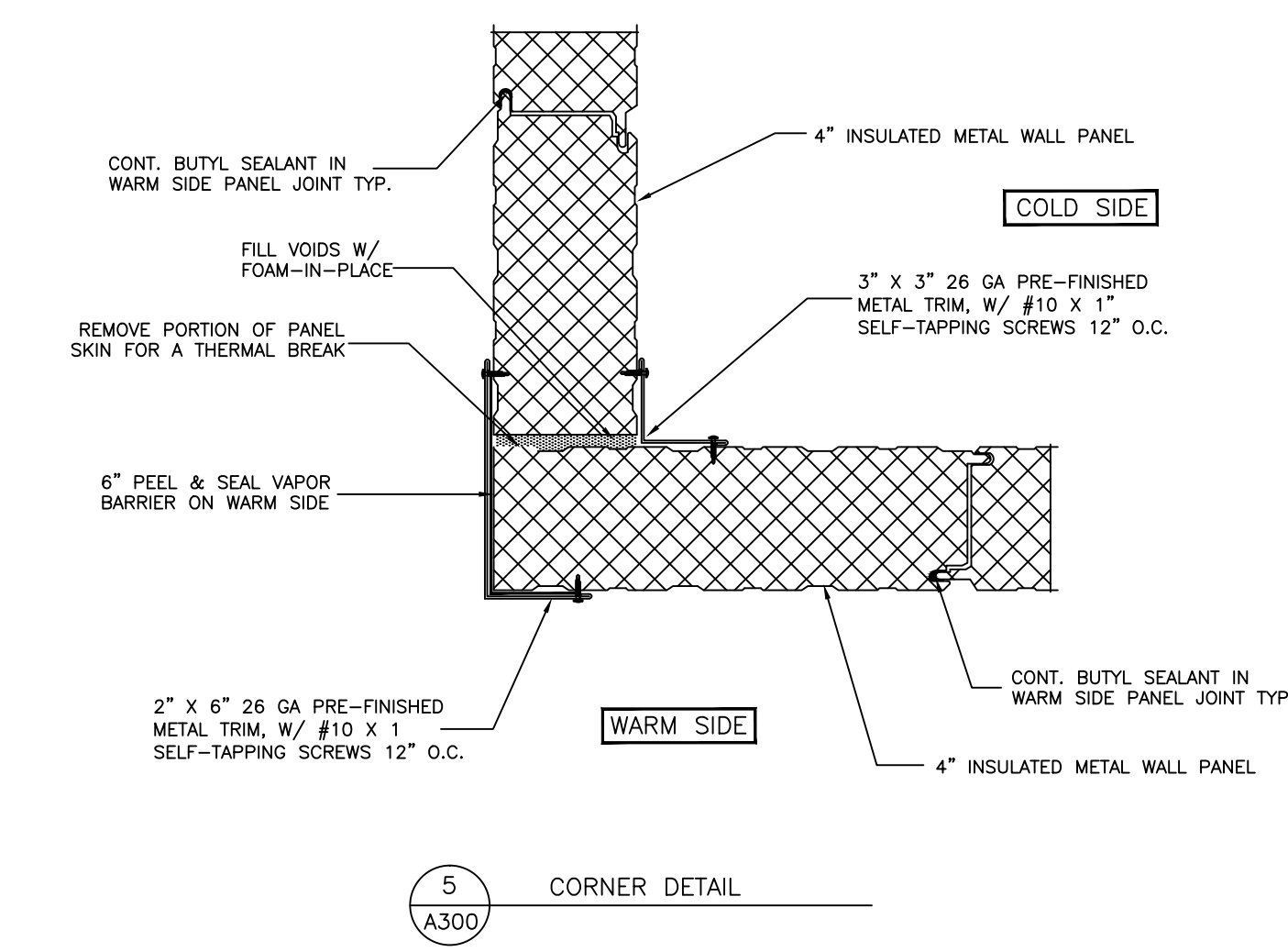
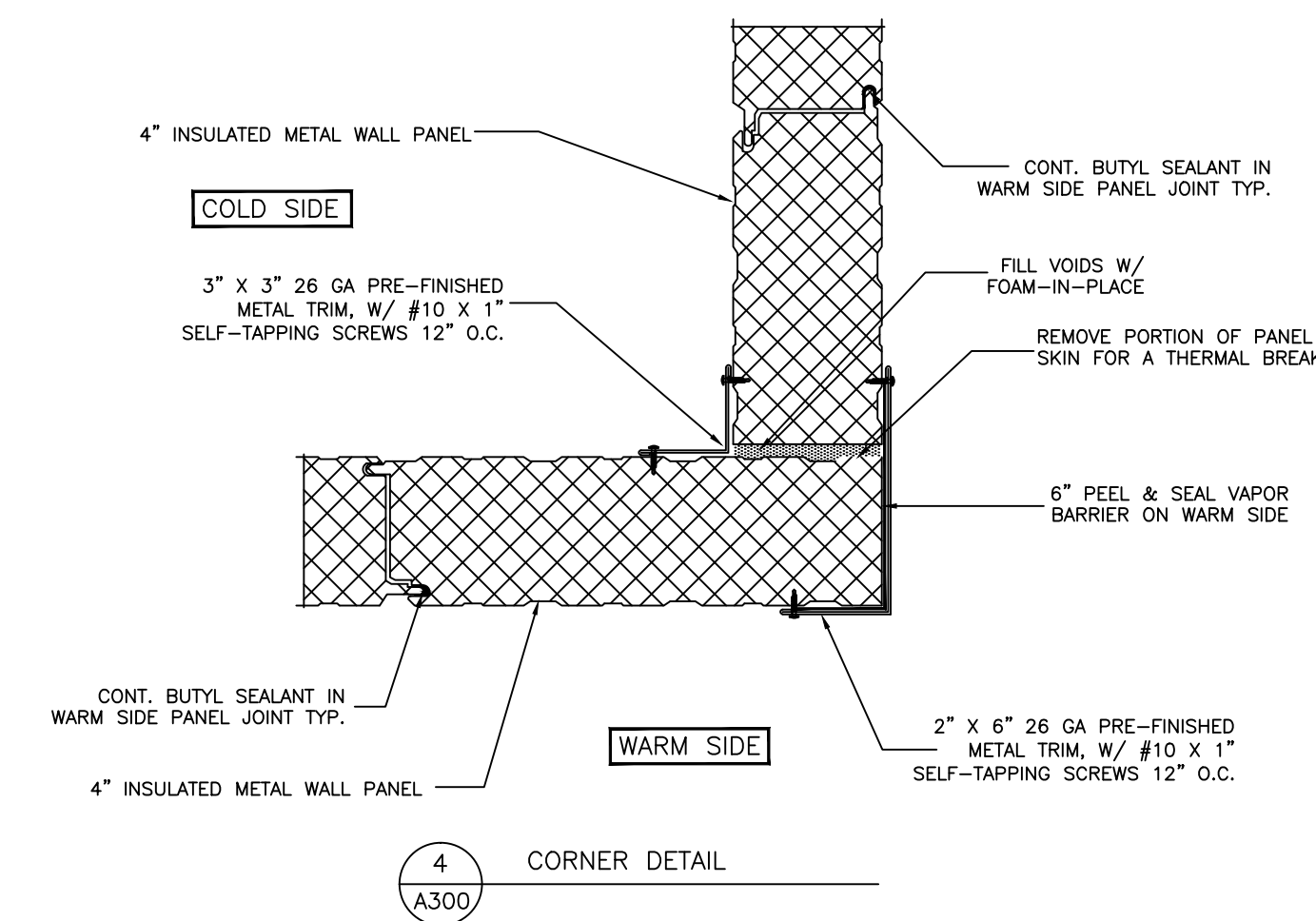
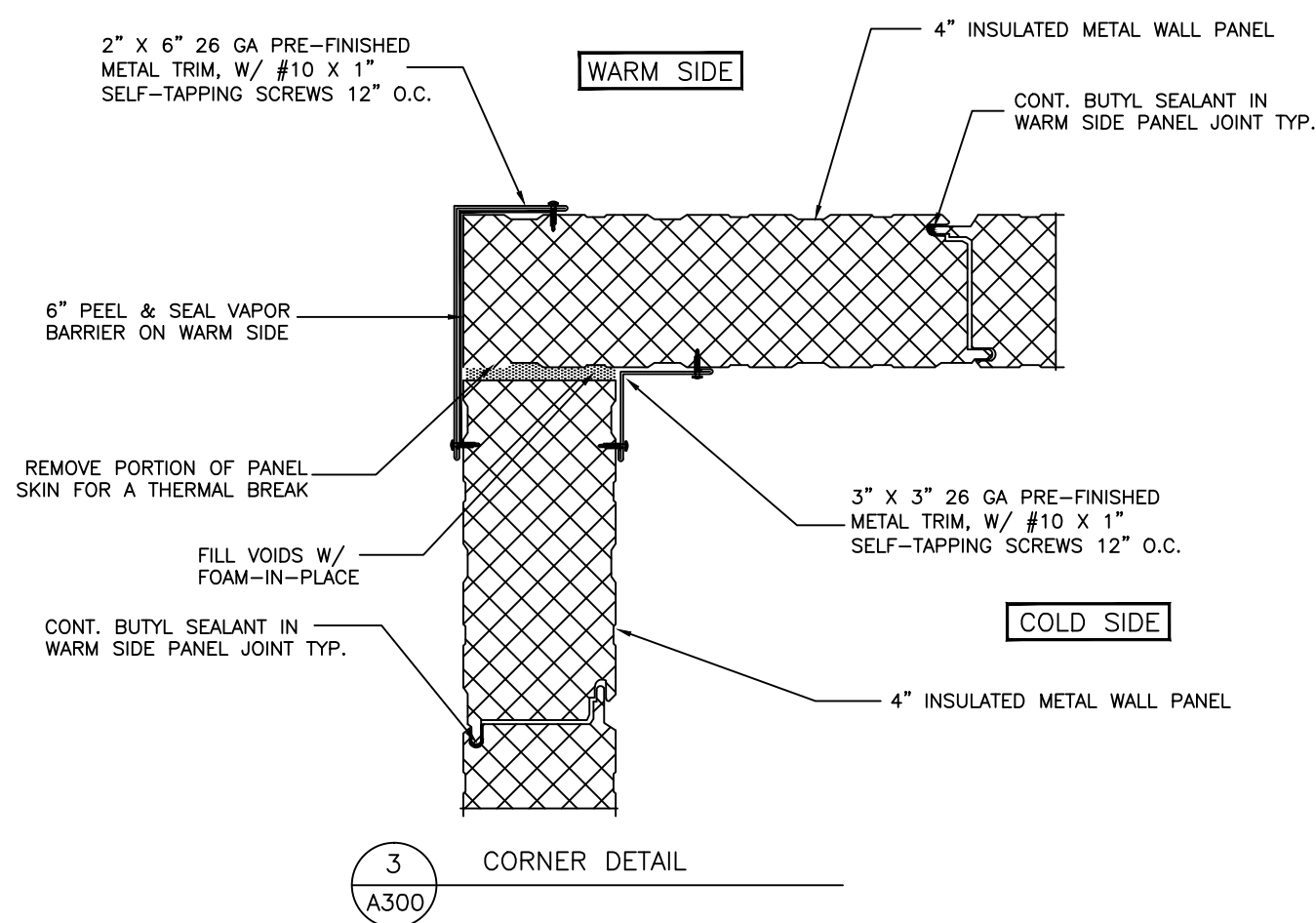
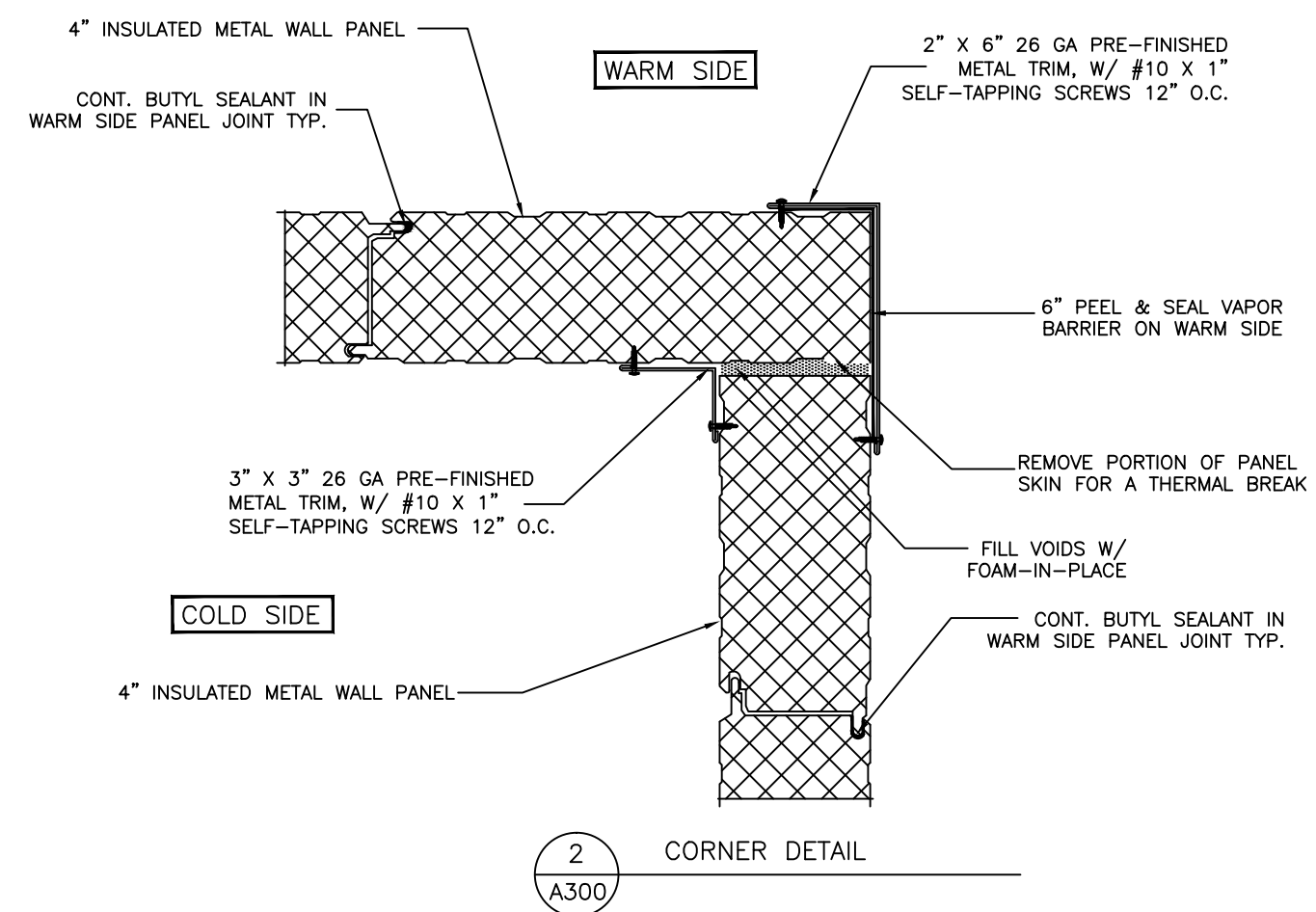
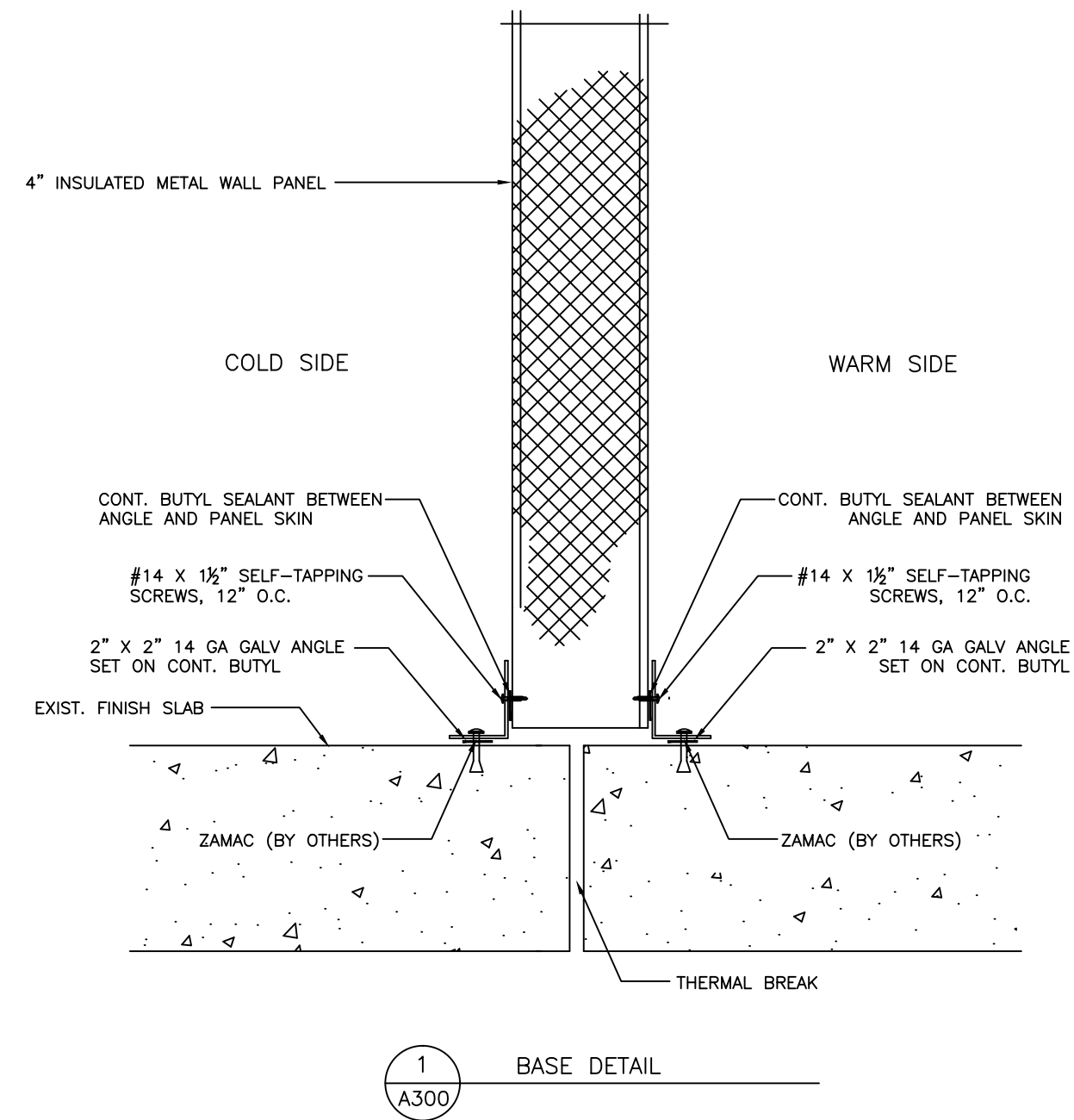
Barr Inc.
 1423 Planeview Drive
 Oshkosh, WI 54904
 920-231-1711 Phone

20' x 30' x 10'-4"
 Drive-In Freezer

TOLERANCES UNLESS SPECIFIED
 FRACTIONAL .XX ± 1/32"
 DECIMAL .015 ± .005
 X' ± 0'30"
 X' ± 0'05"
 .XXX ± .005
 .XXXX ± .001
 Draftsman is not responsible for panel heights, quantities and/or dimensions. Contractor to verify all information.

WALL ELEVATIONS

DR. BY: KRZ
 DATE: 8/30/2016
 SCALE: NTS
 CHECKED BY:
 SHEET NO. A200



NO.	REVISION	BY	DATE

Barr Inc.
 1423 Planeview Drive
 Oshkosh, WI 54904
 920-231-1711 Phone

20' x 30' x 10'-4"
 Drive-In Freezer

TOLERANCES UNLESS SPECIFIED
 FRACTIONAL DECIMAL .015 X .030' ANGLE
 X/X" ± 1/32" .XX ± .015 X .XX ± 0'05"
 .XXX ± .005 X'X' ± 0'05"
 .XXXX ± .001

Draftsman is not responsible for panel heights, quantities and/or dimensions. Contractor to verify all information.

WALL DETAILS

DR. BY: KRZ
 DATE: 8/30/2016
 SCALE: NTS
 CHECKED BY:
 SHEET NO. A300