

Barr Inc.

1423 Planeview Drive

Oshkosh, WI 54904

920-231-1711 Phone

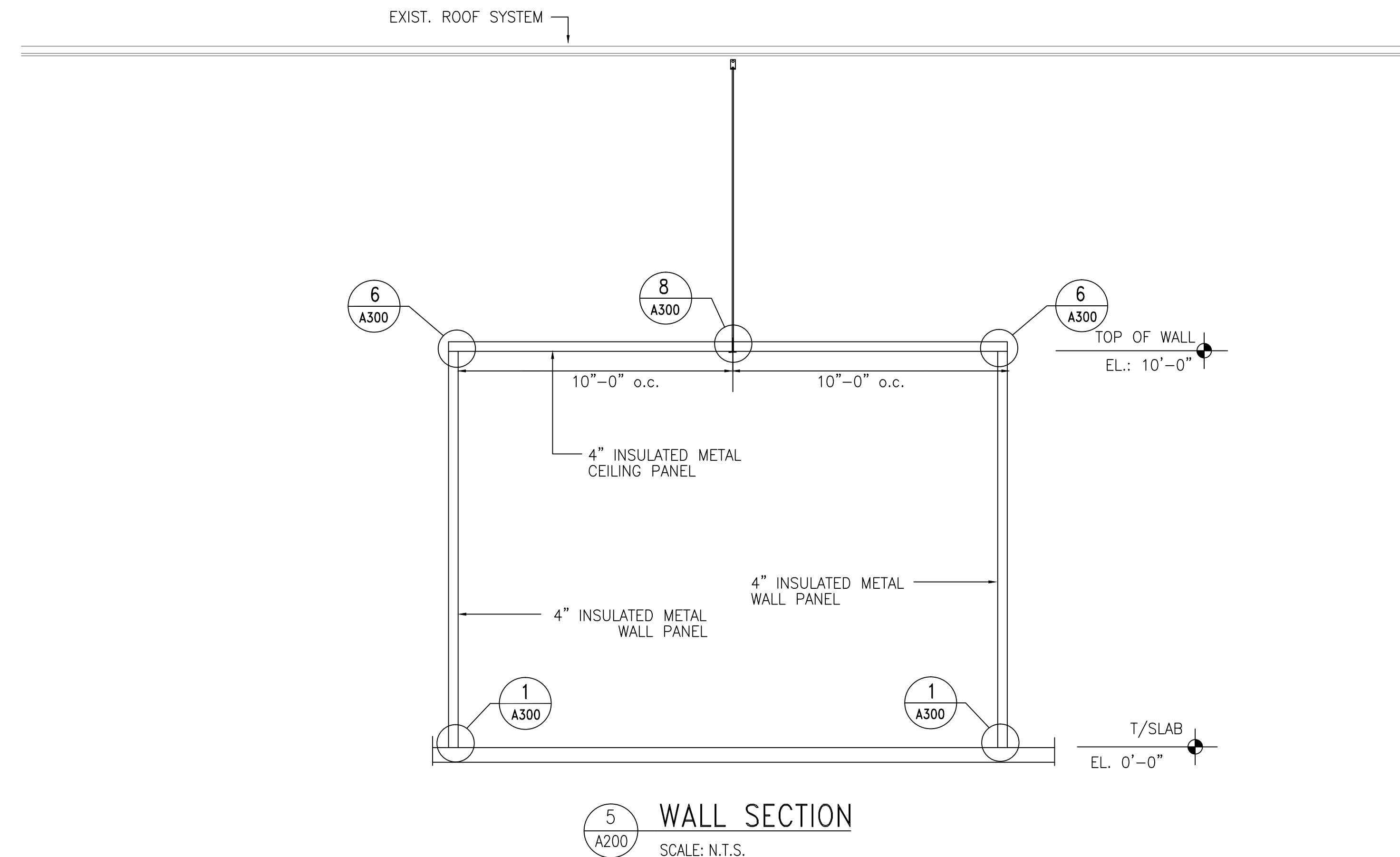
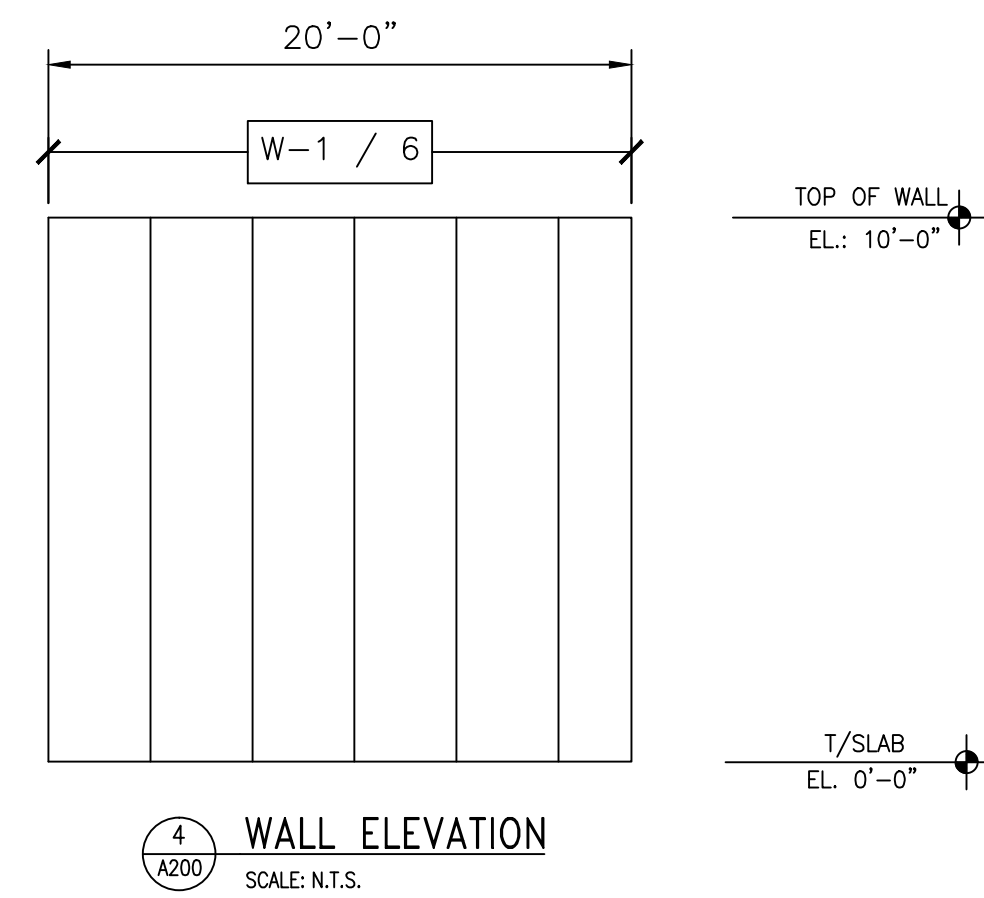
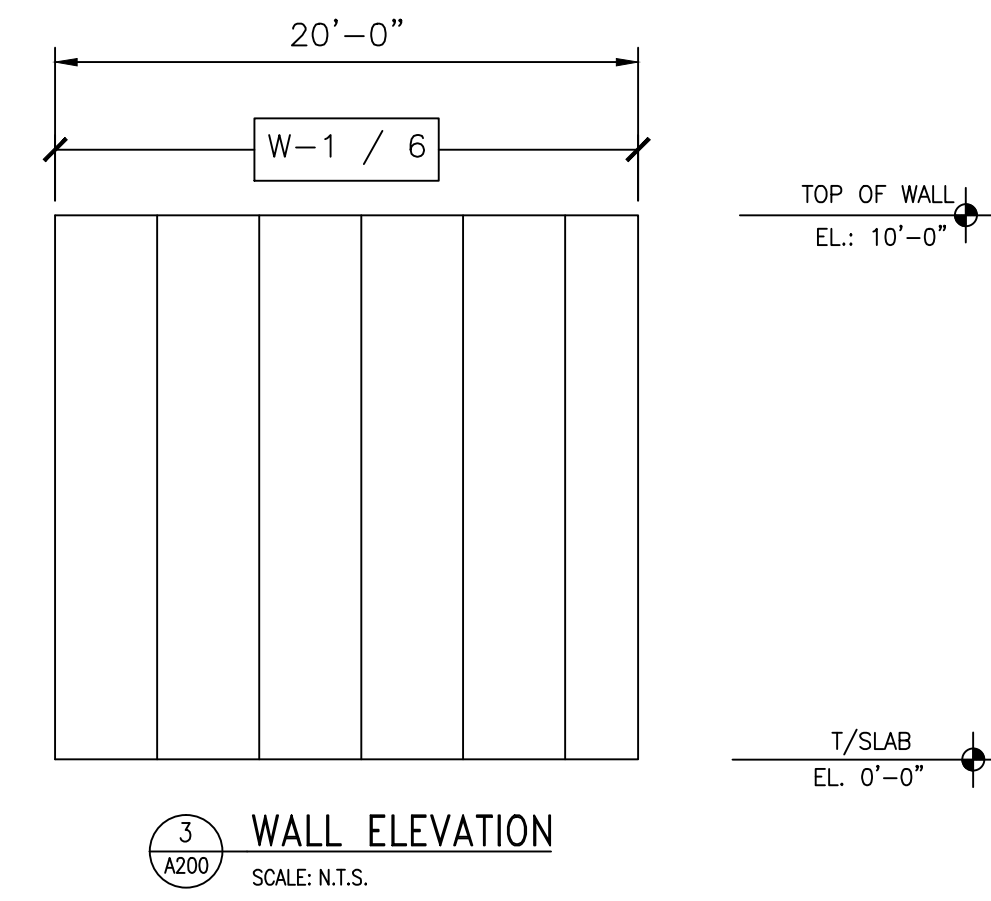
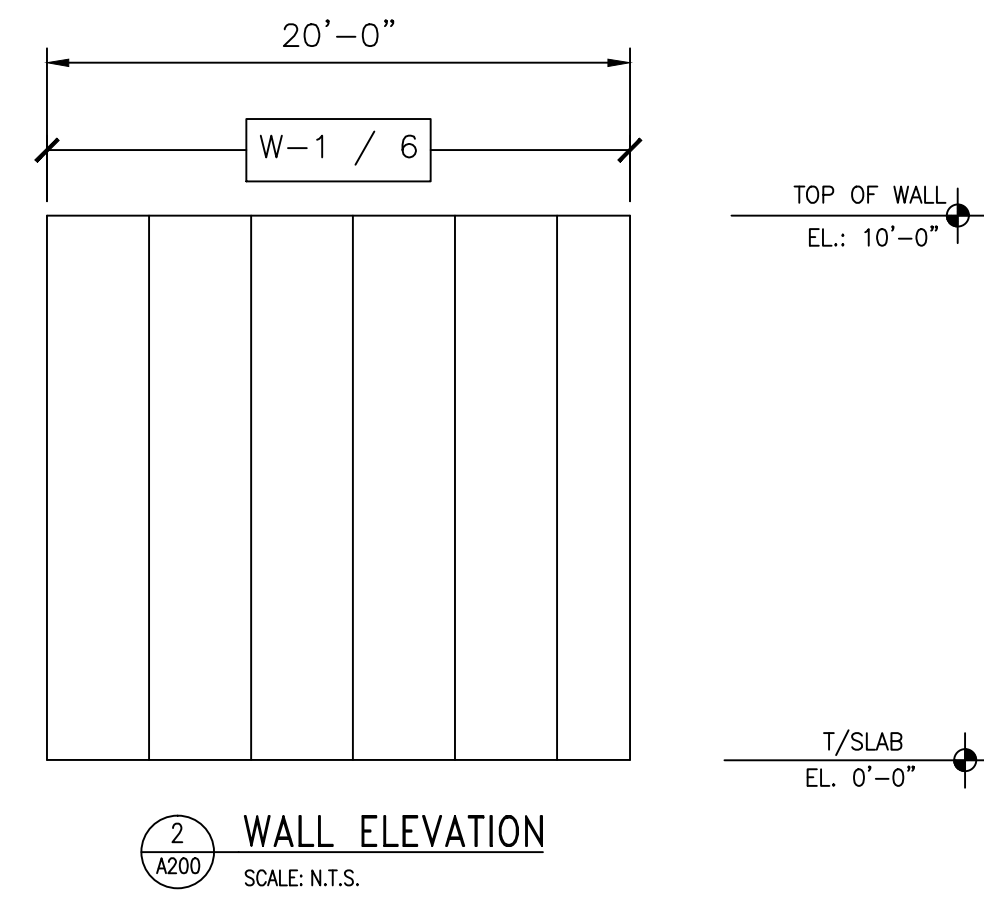
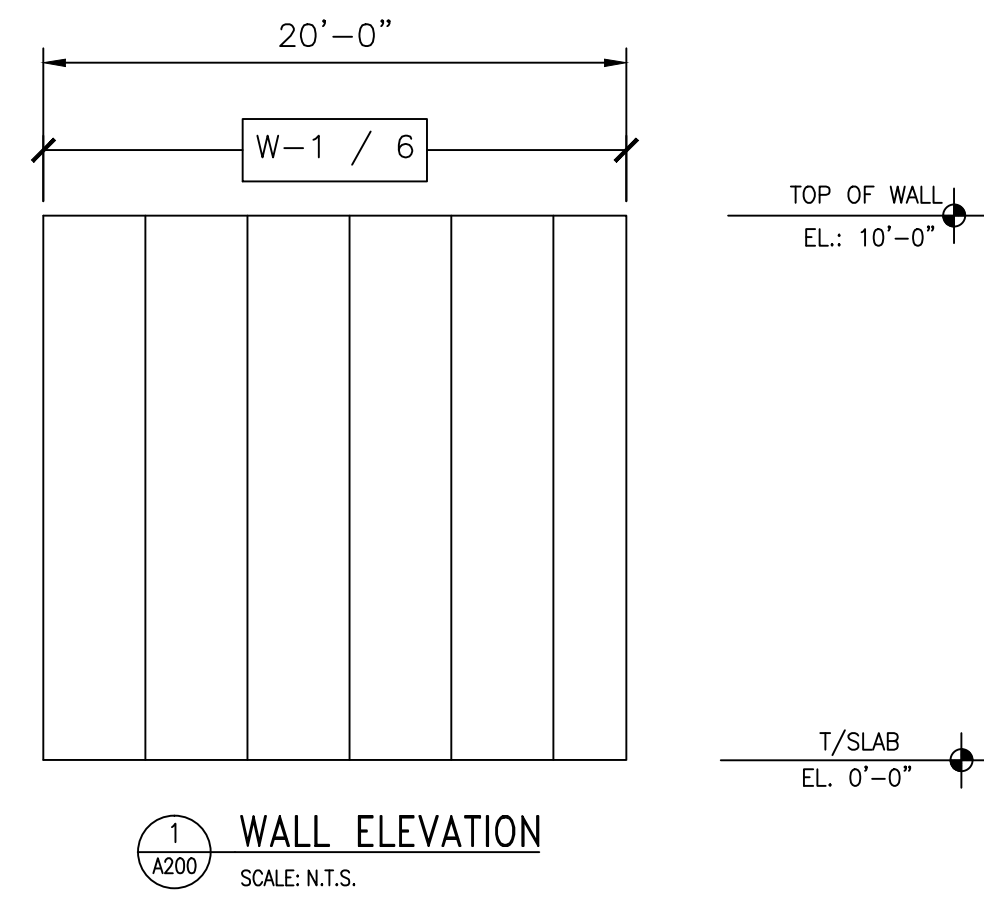
20' x 20' x 10'-4"

Drive-In Cooler

DRAWING INDEX

T.1	TITLE SHEET
A100	FLOOR/CEILING PLAN
A200	INSULATED WALL PANEL ELEVATIONS
A300	INSULATED WALL PANEL DETAILS

Barr Inc. 1423 Planeview Drive Oshkosh, WI 54904 920-231-1711 Phone		20' x 20' x 10'-4" Drive-In Cooler		TOLERANCES UNLESS SPECIFIED FRACTIONAL XX ± 1/32" .XX ± .015" X ± 0°30' DECIMAL .XXX ± .005" .XXX ± .005" ANGLE .XXXX ± .001" .XXXX ± .005"	
TITLE		DR.BY: KRZ		DATE: 8/30/2016	
TITLE		SCALE: NTS		CHECKED BY:	
TITLE		SHEET NO.		T.1	
TITLE		BY		DATE	



PANEL SCHEDULE

PANEL DESIG.	PANEL HEIGHT	QTY. OF PANELS	PANEL THICK	PANEL SERIES	PANEL COLOR
W-1	10'-0"	24	4"	MESALINE	USDA WHITE
C-2	20'-0"	6	4"	MESALINE	USDA WHITE

REVISION	BY	DATE

Barr Inc.
1423 Planeview Drive
Oshkosh, WI 54904
920-231-1711 Phone

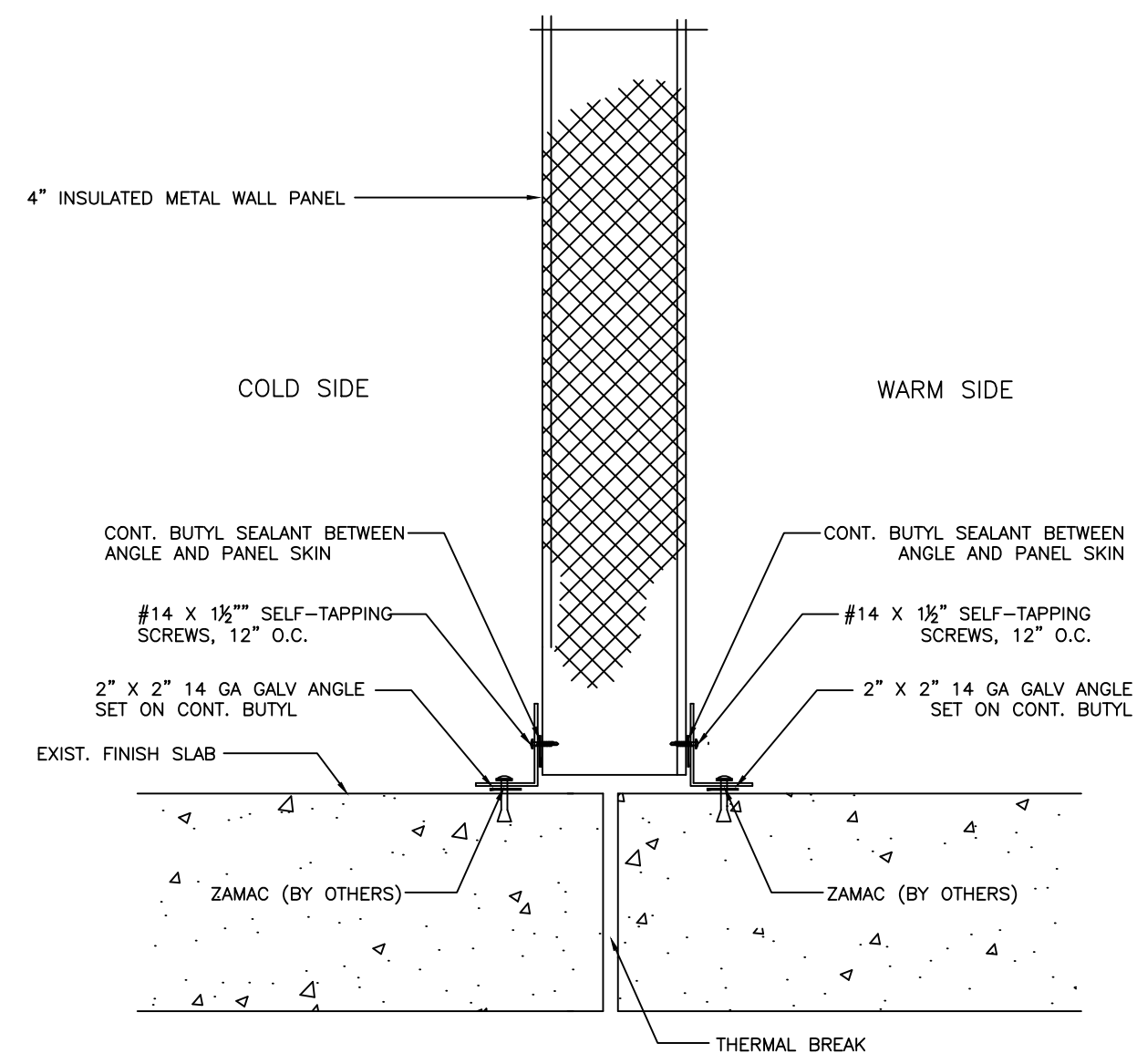
20' x 20' x 10'-4"
Drive-In Cooler

TOLERANCES UNLESS SPECIFIED
FRACTIONAL .XX ± 1/32"
DECIMAL .015 ± .005
X' ± .030"
X'XX' ± .005
X'XXX' ± .001
ANGLE ± 0°05'

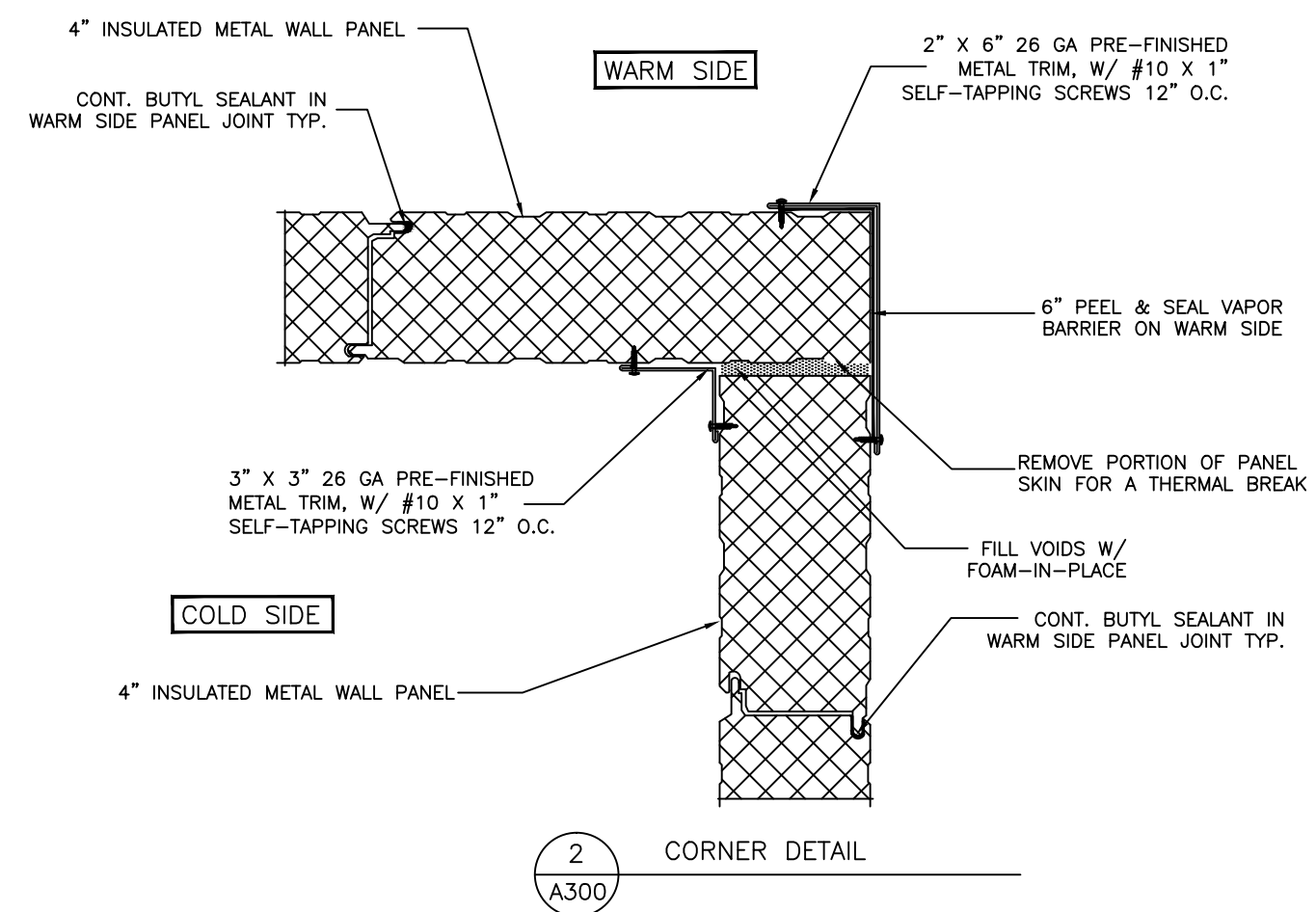
Draftsman is not responsible for panel heights, quantities and/or dimensions. Contractor to verify all information.

WALL ELEVATIONS

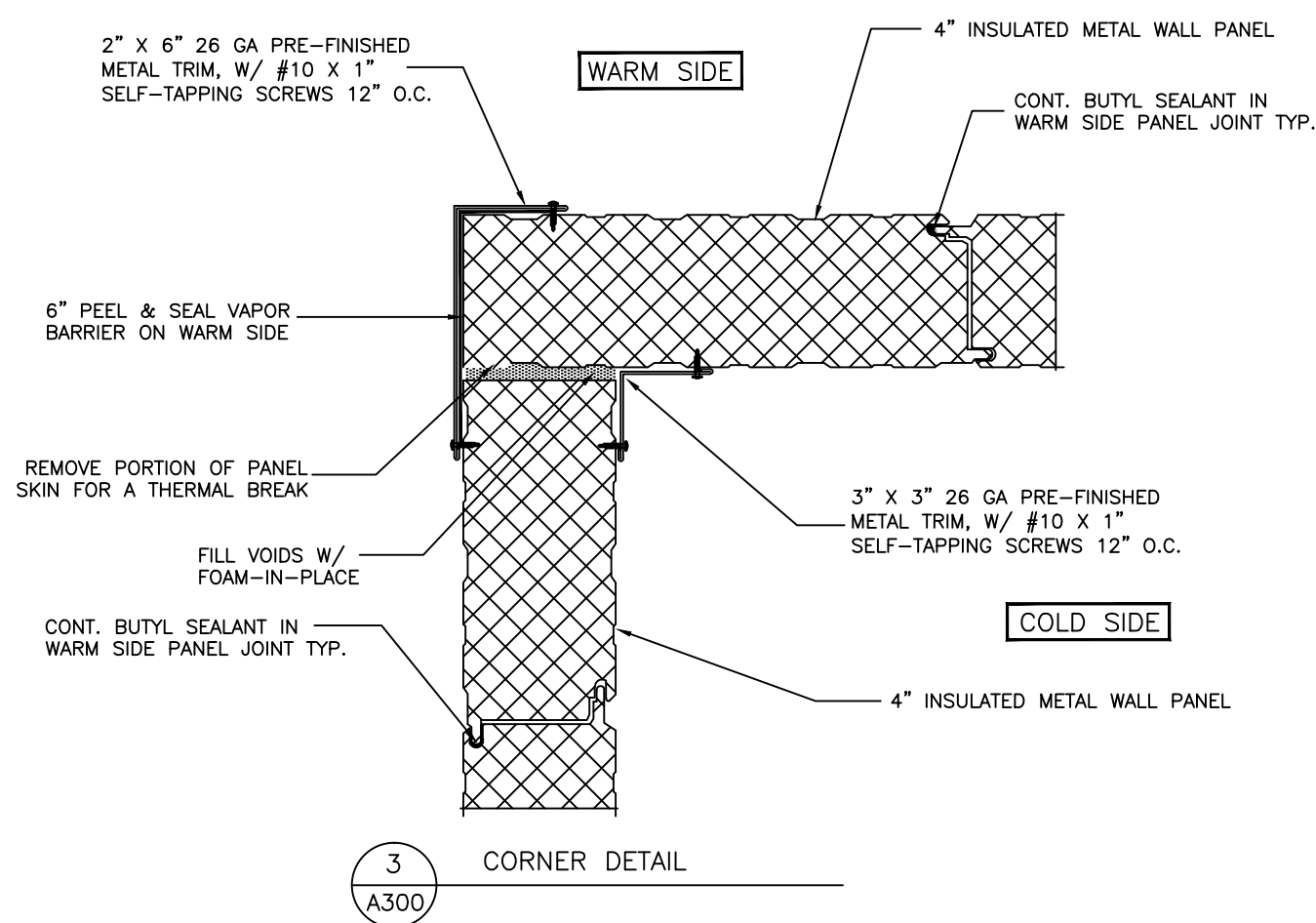
DR. BY:	KRZ
DATE:	8/30/2016
SCALE:	N.T.S.
CHECKED BY:	
SHEET NO.:	A200



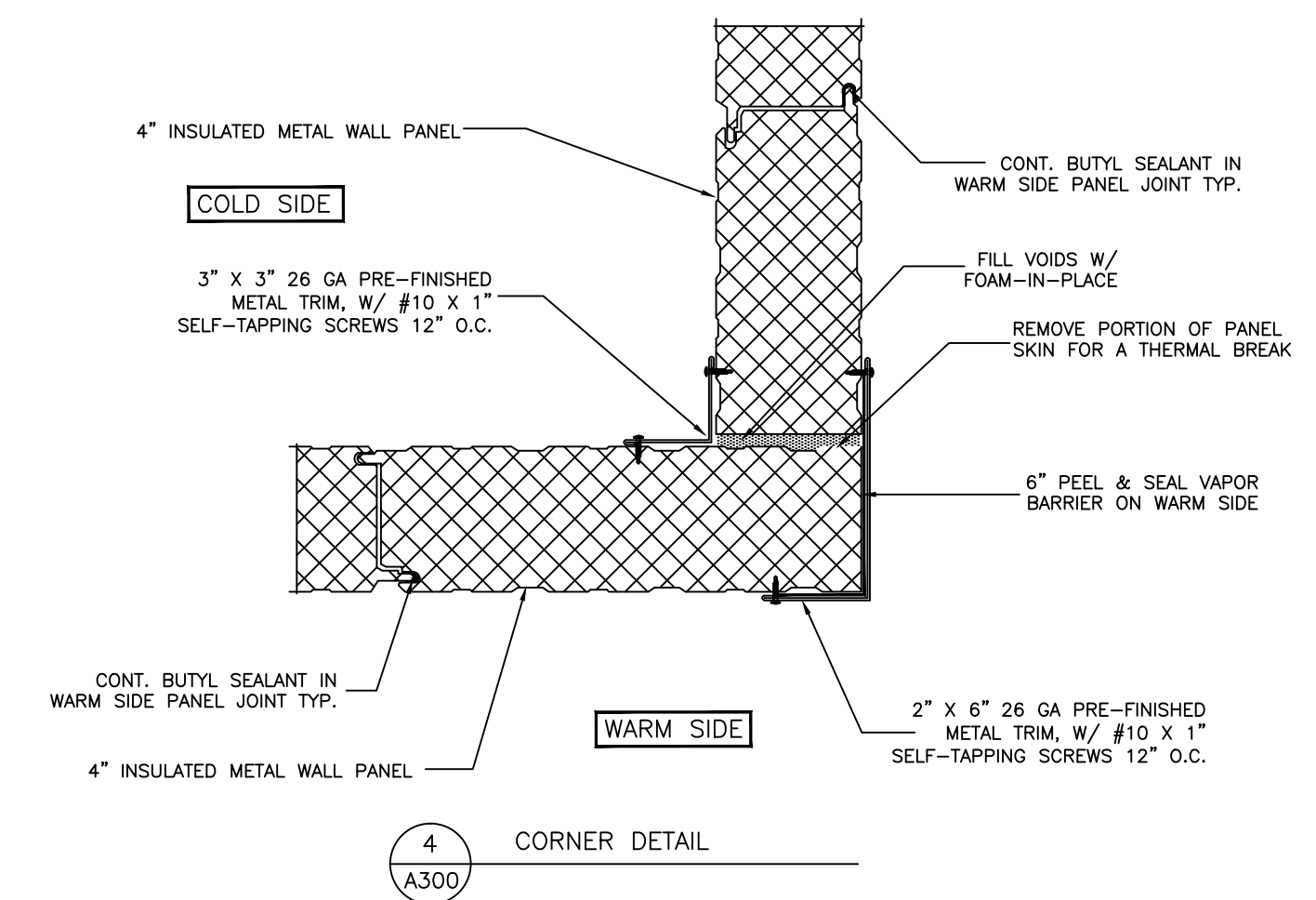
1
A300 BASE DETAIL



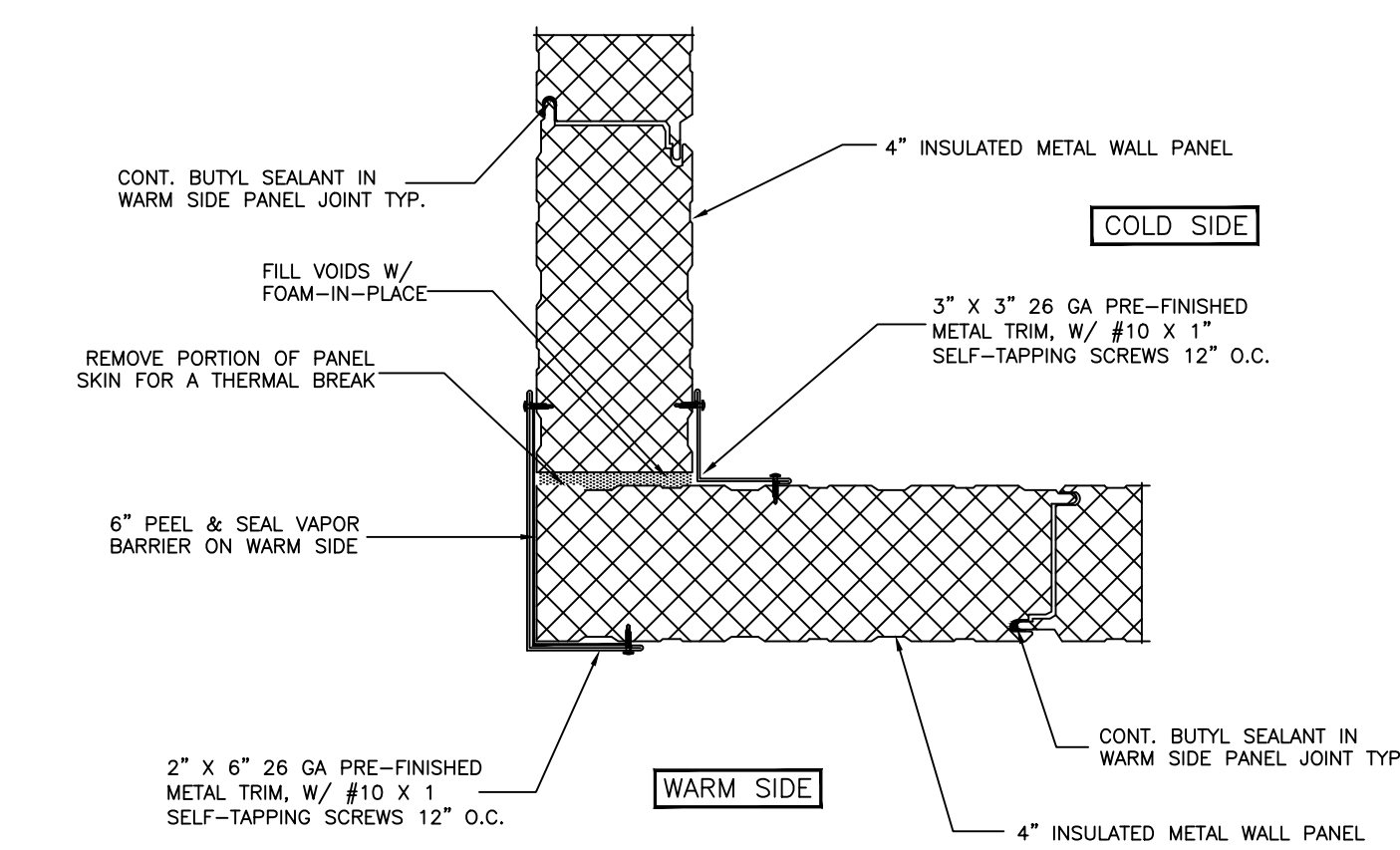
2
A300 CORNER DETAIL



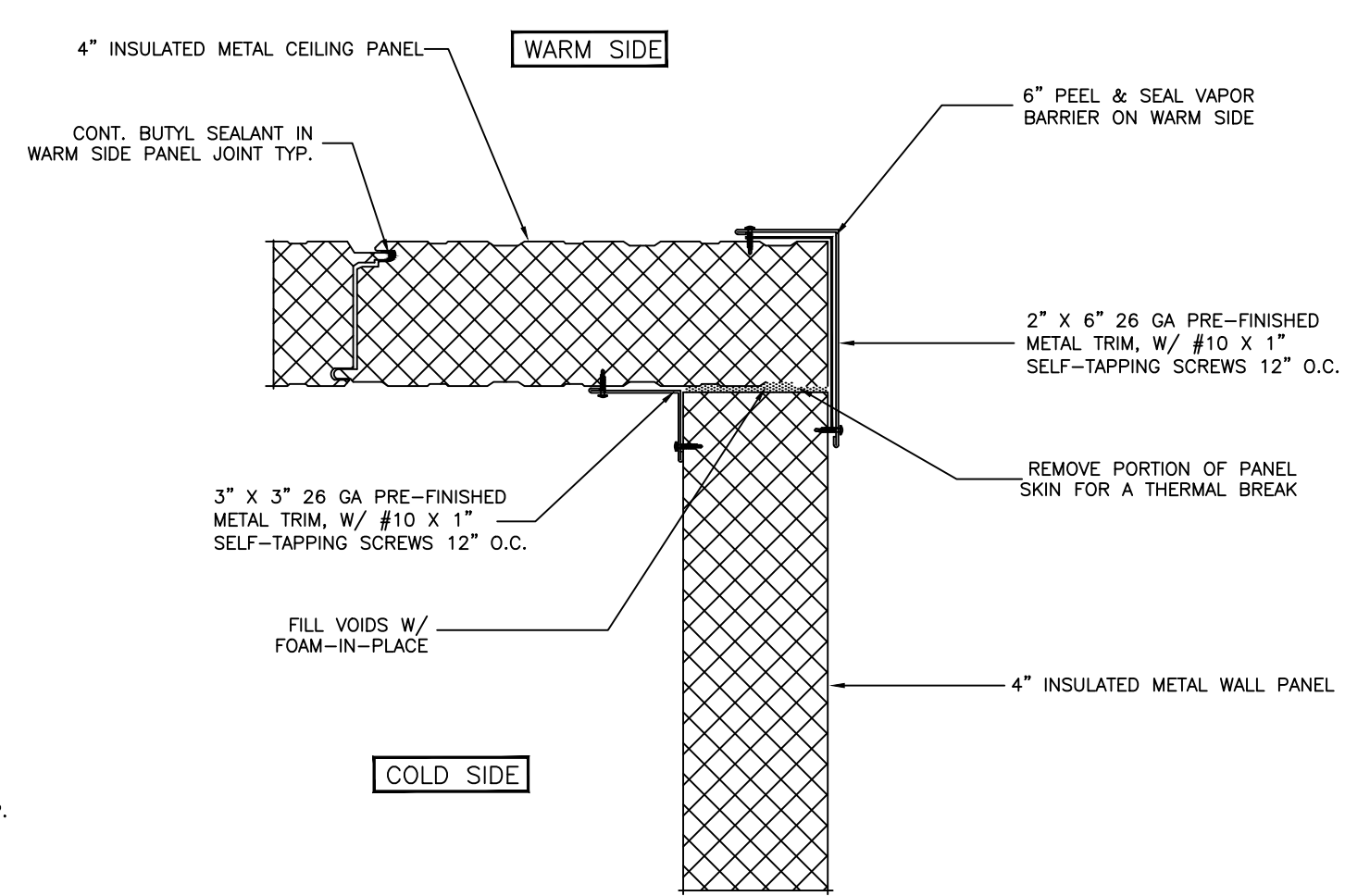
3
A300 CORNER DETAIL



4
A300 CORNER DETAIL

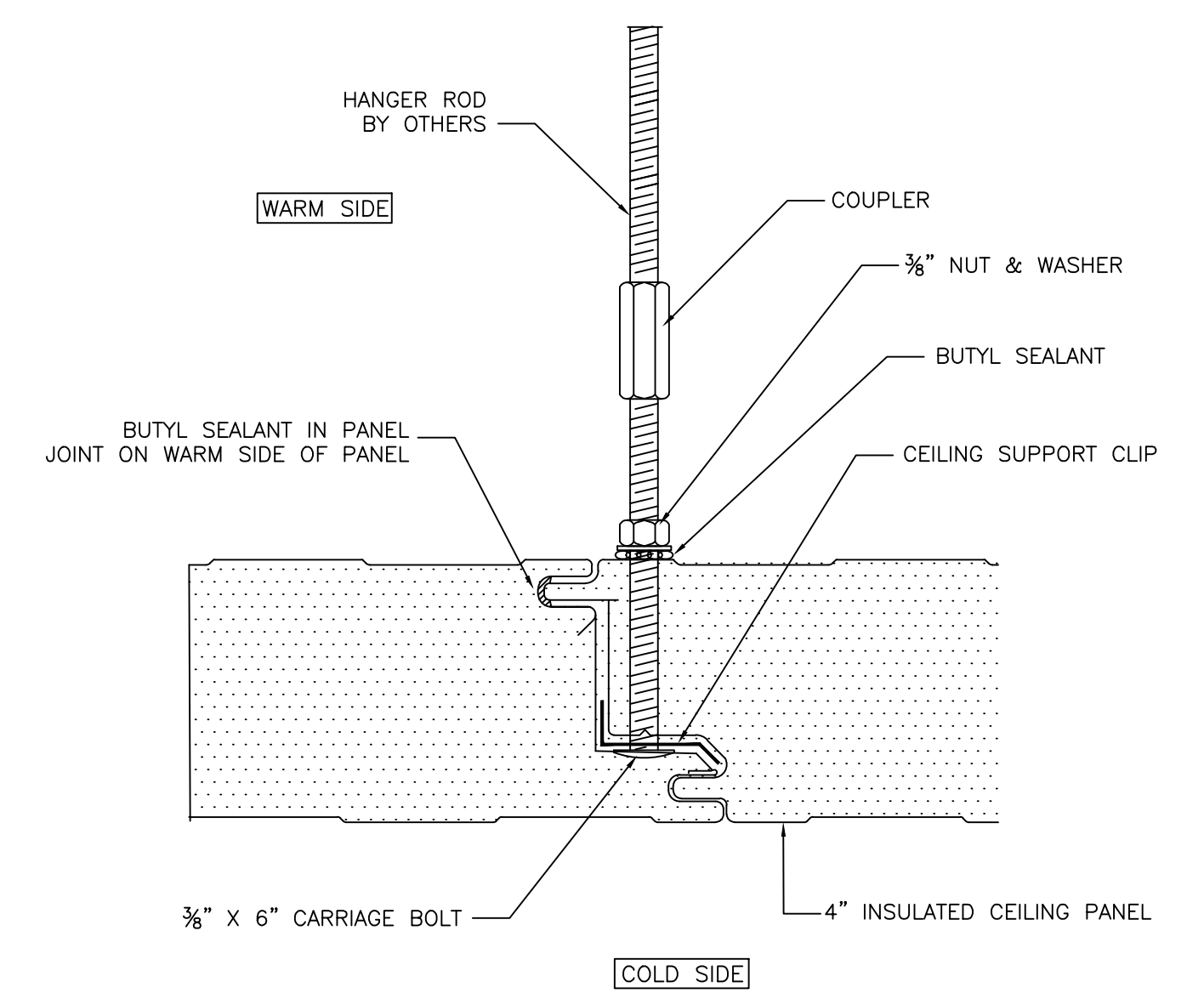


5
A300 CORNER DETAIL



6
A300 WALL / CEILING DETAIL

7
A300 NOT USED



8
A300 INTERMEDIATE CEILING SUPPORT

NO.	REVISION	BY	DATE

Barr Inc.
1423 Planeview Drive
Oshkosh, WI 54904
920-231-1711 Phone

20' x 20' x 10'-4"
Drive-In Cooler

TOLERANCES UNLESS SPECIFIED
FRACTIONAL DECIMAL ANGLE
X/X" ± 1/32" .015 X° ± 0'30"
.XX ± .005 .XXX ± .005 .XXX ± .005
.XXXX ± .001 .XXXX ± .001

Draftsman is not responsible for panel heights, quantities, and/or dimensions. Contractor to verify all information.

WALL DETAILS

DR. BY: KRZ
DATE: 8/30/2016
SCALE: NTS
CHECKED BY:
SHEET NO. A300