

Barr Inc.

1423 Planeview Drive

Oshkosh, WI 54904

920-231-1711 Phone

20' x 40' x 16'-4"

Drive-In Freezer

DRAWING INDEX

T.1	TITLE SHEET
A100	FLOOR/CEILING PLAN
A200	INSULATED WALL PANEL ELEVATIONS
A300	INSULATED WALL PANEL DETAILS

REVISION	DATE	BY

Barr Inc.
1423 Planeview Drive
Oshkosh, WI 54904
920-231-1711 Phone

20' x 40' x 16'-4"
Drive-In Freezer

TOLERANCES UNLESS SPECIFIED
 FRACTIONAL XX ± 1/32" DECIMAL .XX ± .015 X' ± 0'30"
 .XXX ± .005 XXX' ± 0'05"
 .XXXX ± .001 XXXX ± .01

Draftsman is not responsible for panel heights, quantities and / or dimensions. Contractor to verify all information.

TITLE

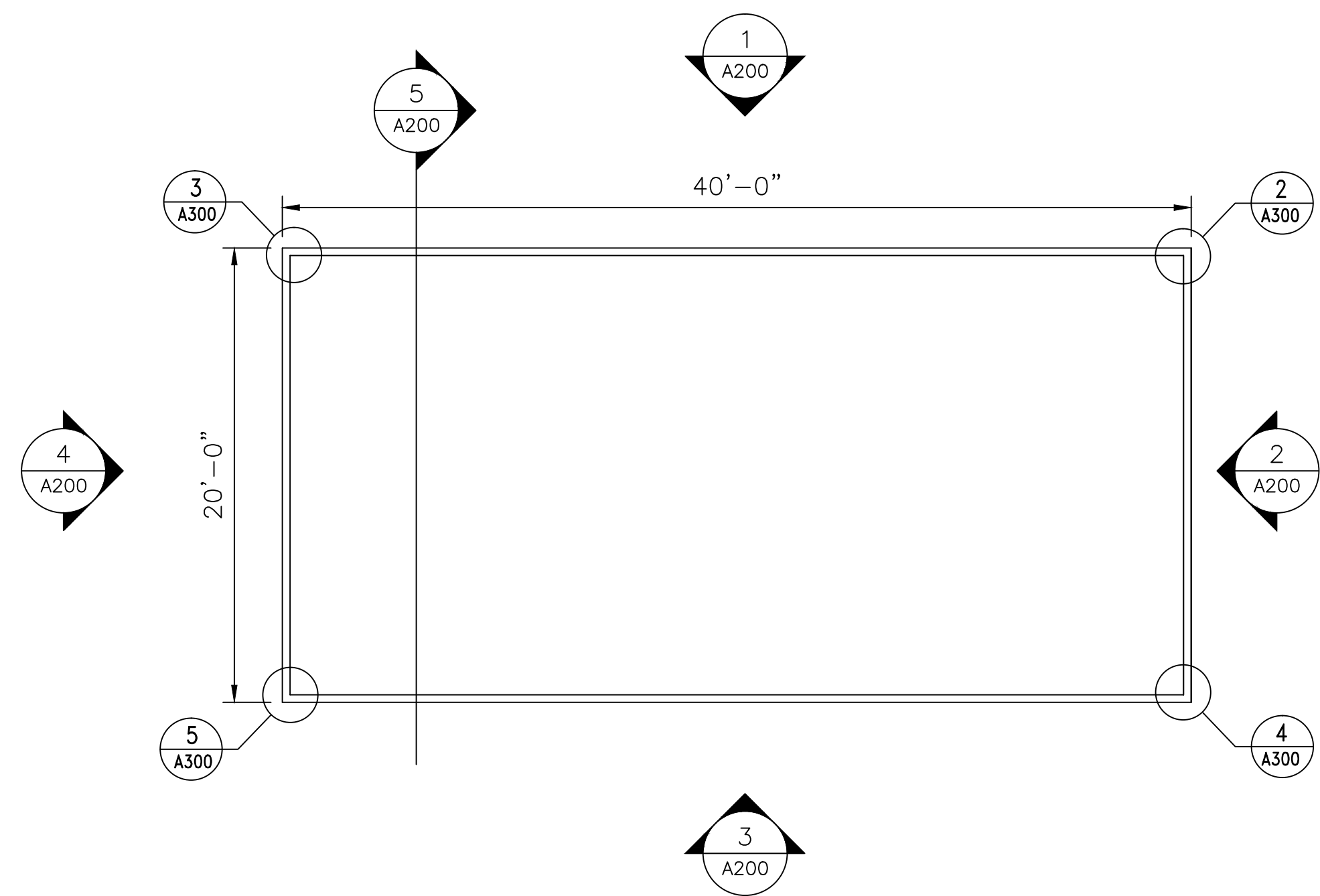
DR.BY: KRZ

DATE: 8/30/2016

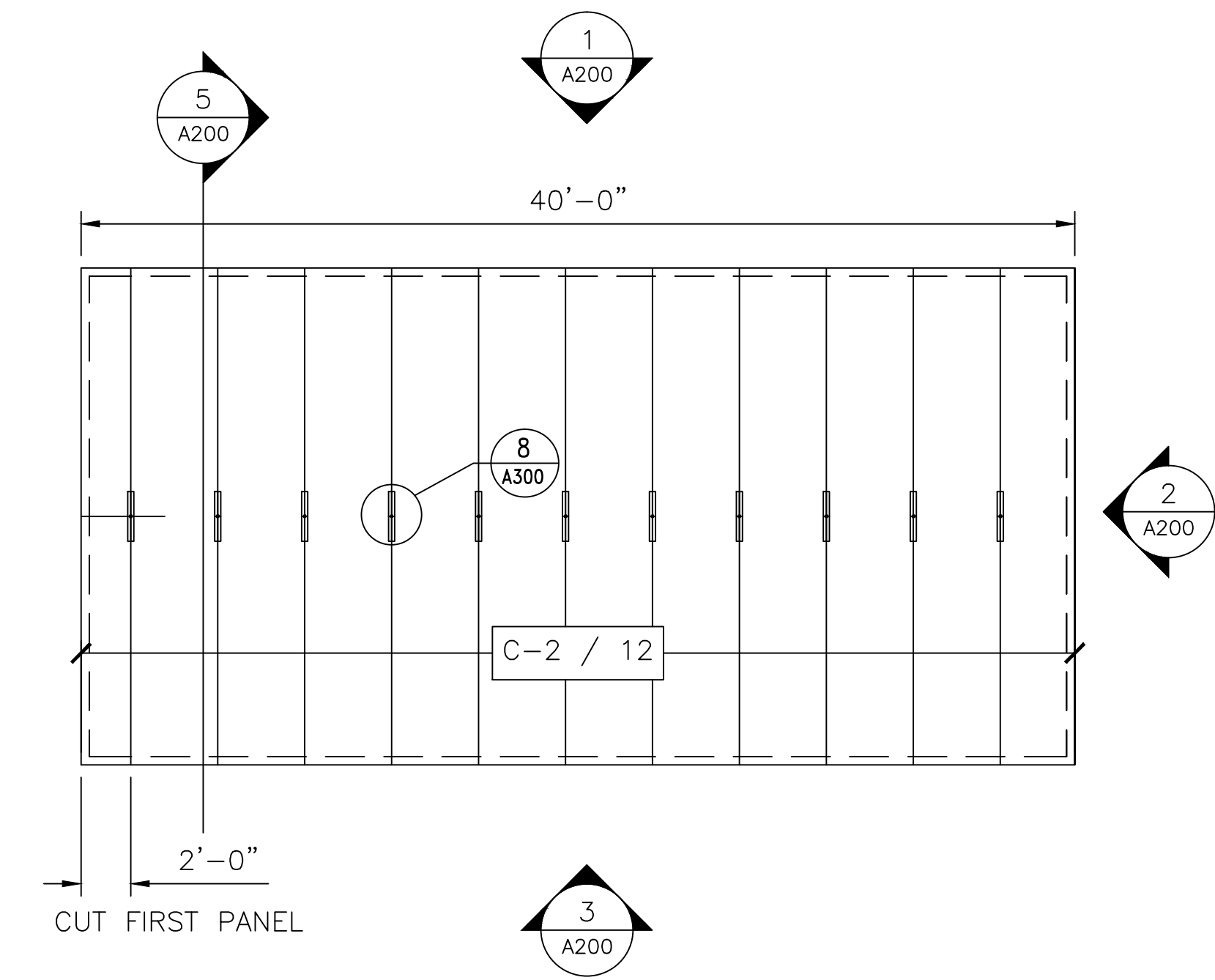
SCALE: NTS

CHECKED BY:

SHEET NO.
T.1



1 FLOOR PLAN
SCALE: N.T.S.



2 CEILING PLAN
SCALE: N.T.S.

PANEL SCHEDULE

PANEL DESIG.	PANEL HEIGHT	QTY OF PANELS	PANEL THICK	PANEL SERIES	PANEL COLOR
W-1	16'-0"	36	4"	MESALINE	USDA WHITE
C-2	20'-0"	12	4"	MESALINE	USDA WHITE

REVISION	BY	DATE

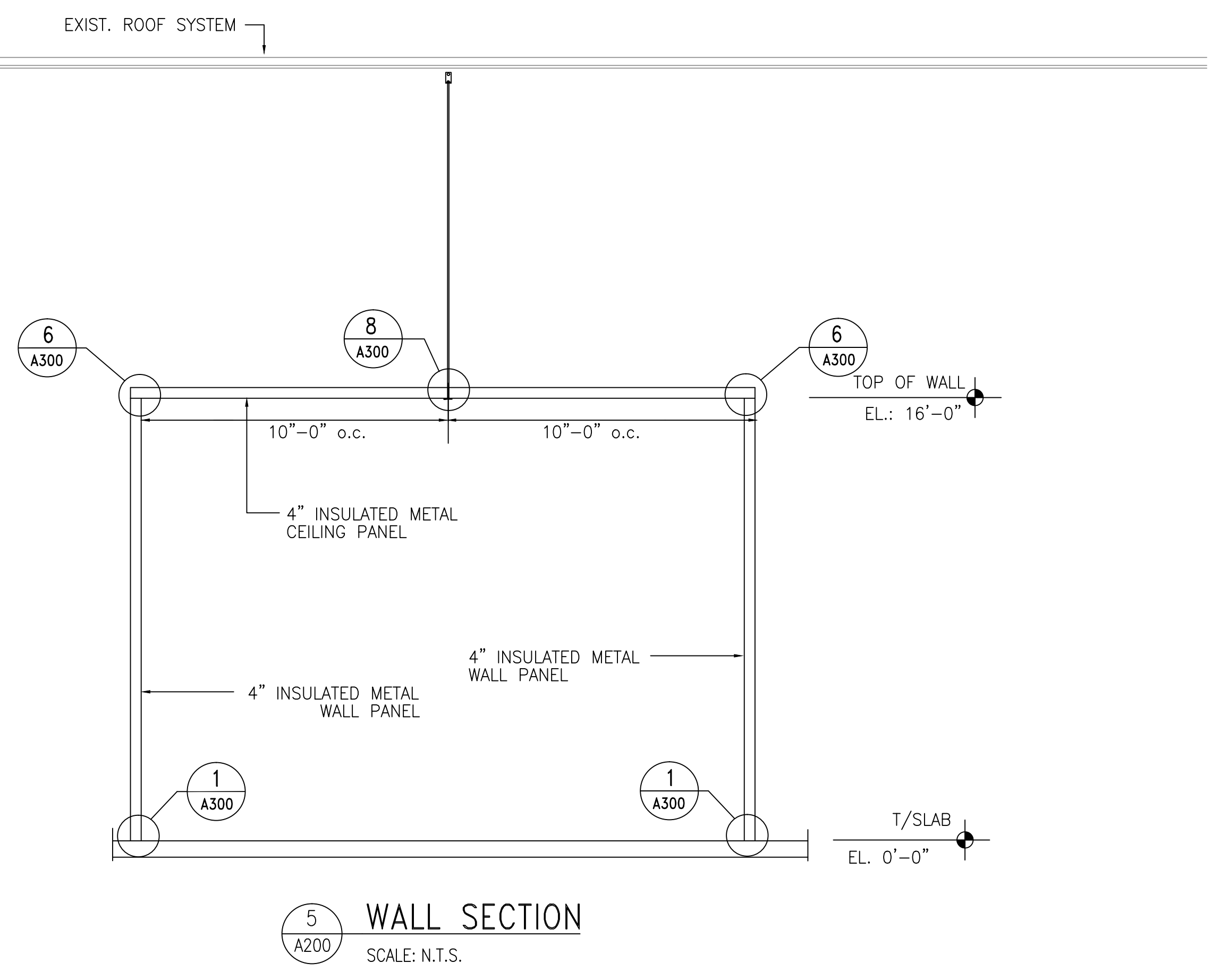
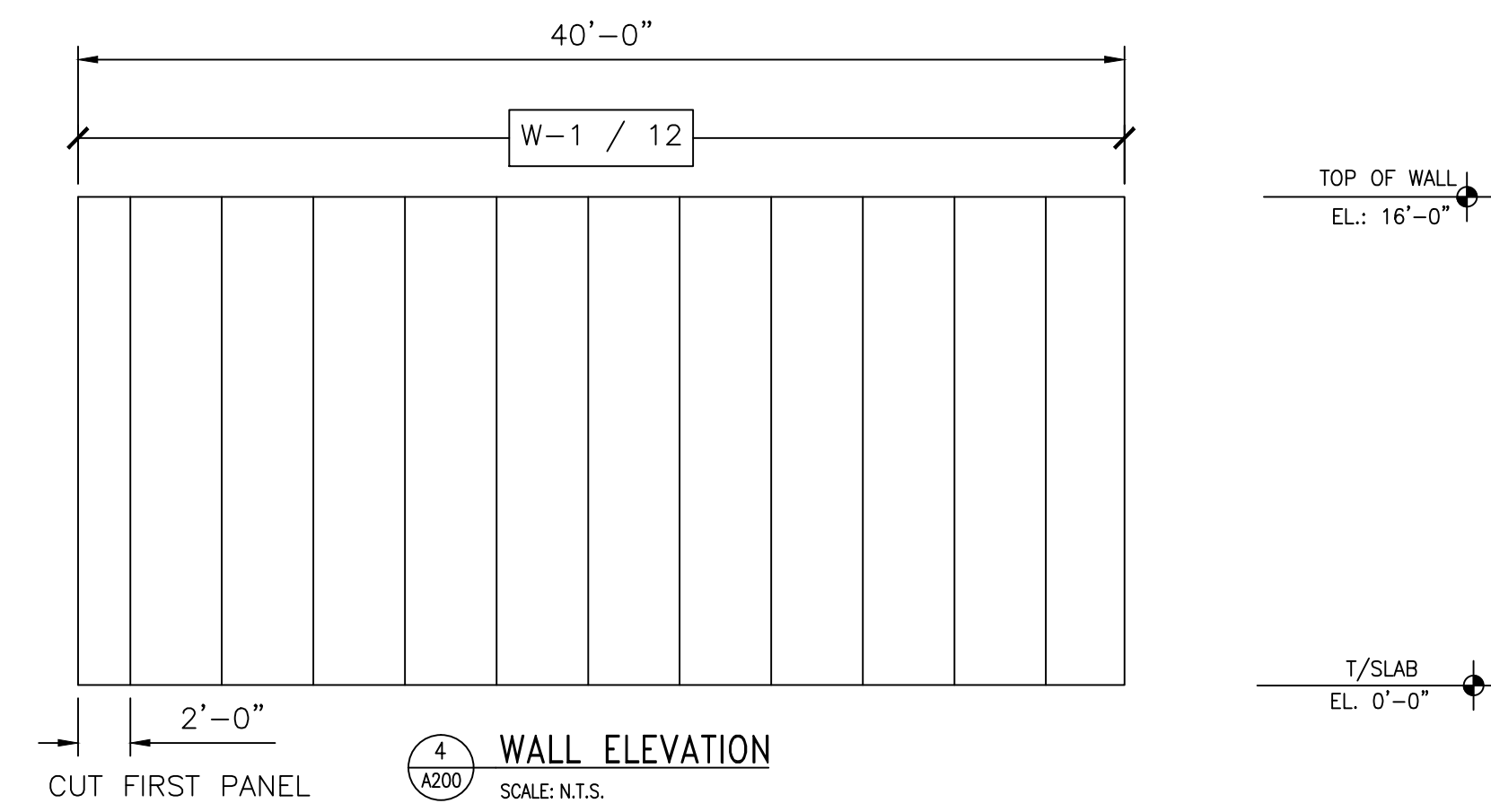
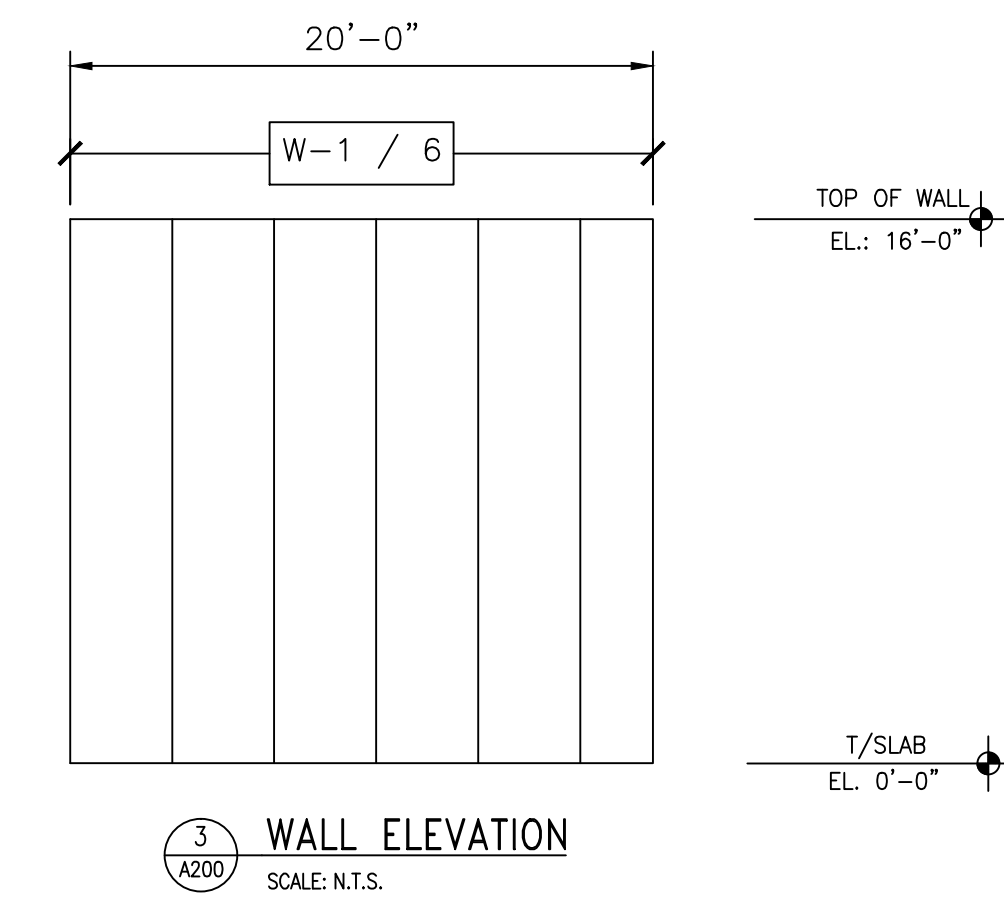
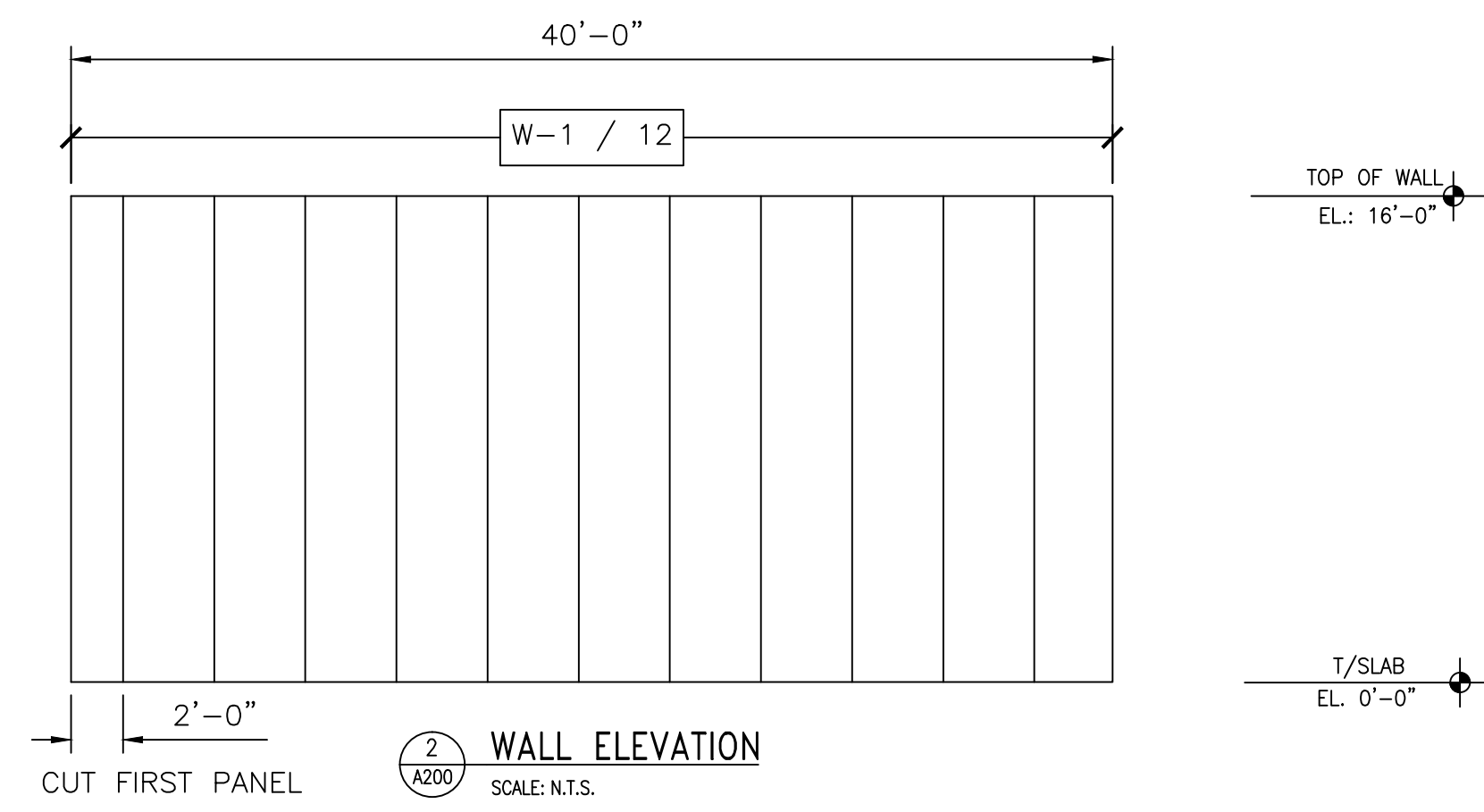
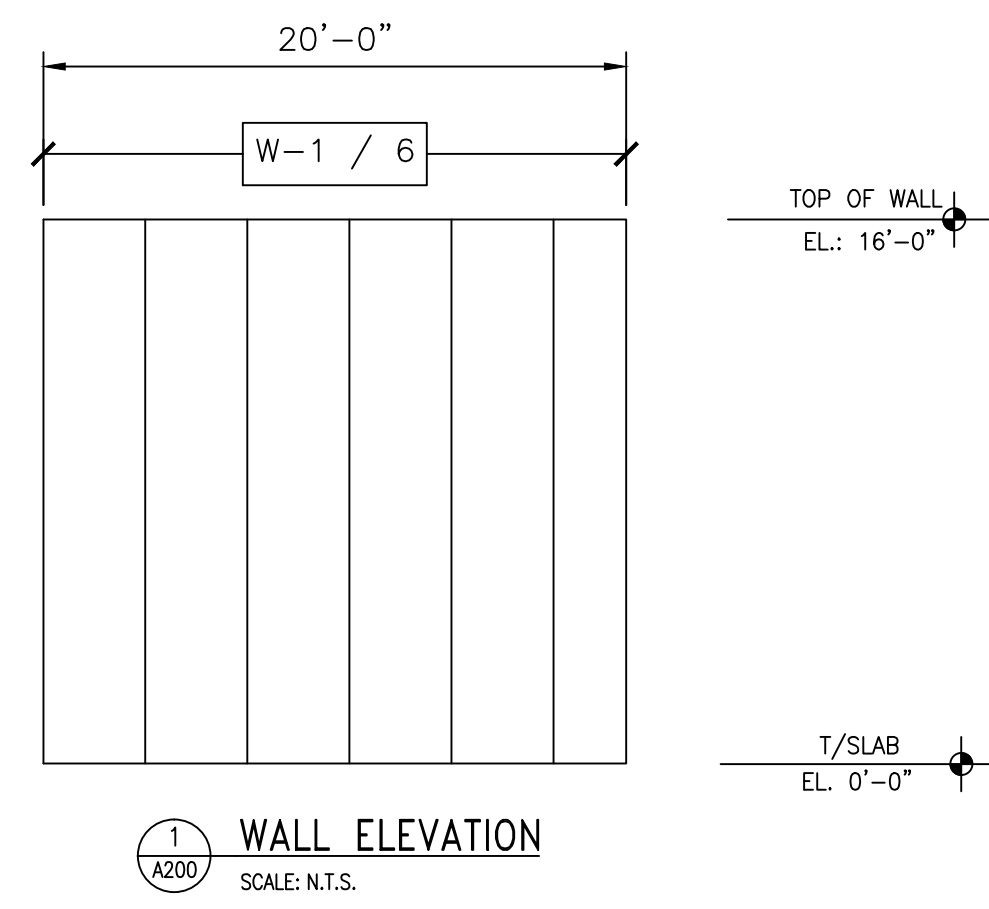
Barr Inc.
1423 Planeview Drive
Oshkosh, WI 54904
920-231-1711 Phone

20' x 40' x 16'-4"
Drive-In Freezer

TOLERANCES UNLESS SPECIFIED
FRACTIONAL X/X" ± 1/32"
DECIMAL .XX ± .015
".XXX ± .005
".XXXX ± .001
ANGLE X° ± 0'30"
X'XX' ± 0'05"
Drafter is not responsible for panel heights, quantities and/or dimensions. Contractor to verify all information.

FLOOR PLAN

DR.BY: KRZ
DATE: 8/30/2016
SCALE: NTS
CHECKED BY:
SHEET NO. A100



PANEL SCHEDULE

PANEL DESIG.	PANEL HEIGHT	QTY. OF PANELS	PANEL THICK	PANEL SERIES	PANEL COLOR
W-1	16'-0"	36	4"	MESALINE	USDA WHITE
C-2	20'-0"	12	4"	MESALINE	USDA WHITE

NO.	REVISION	BY	DATE

Barr Inc.
1423 Planeview Drive
Oshkosh, WI 54904
920-231-1711 Phone

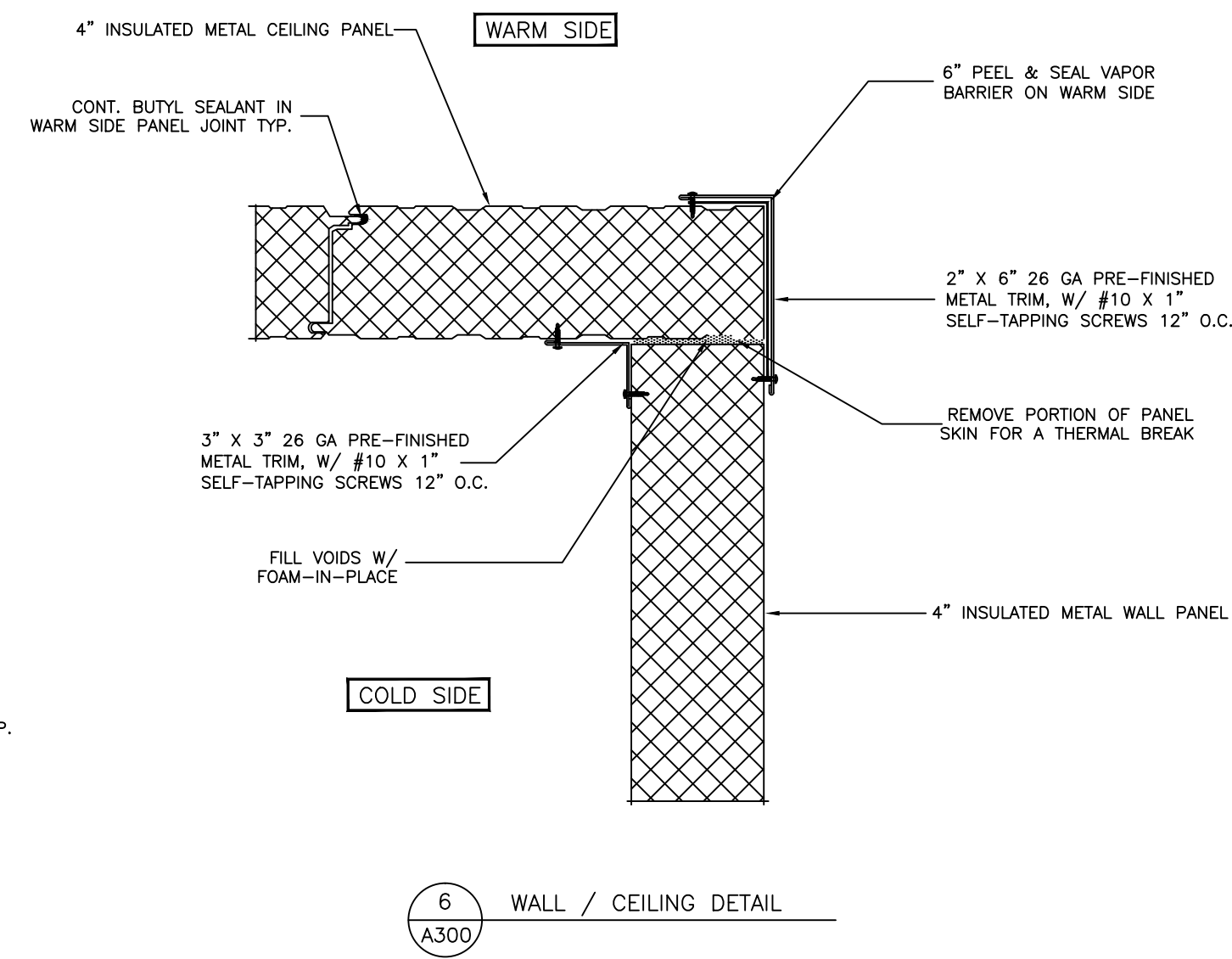
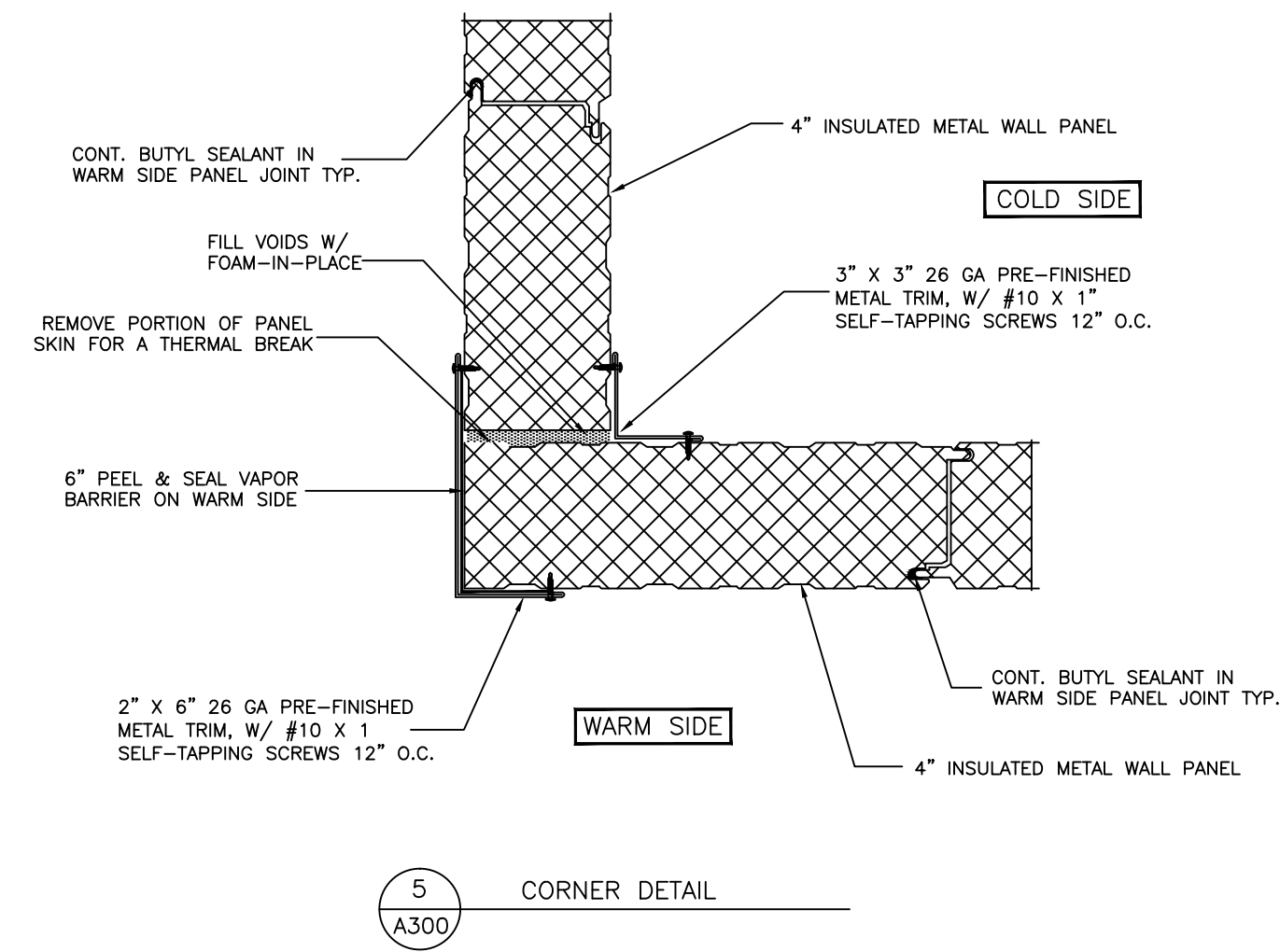
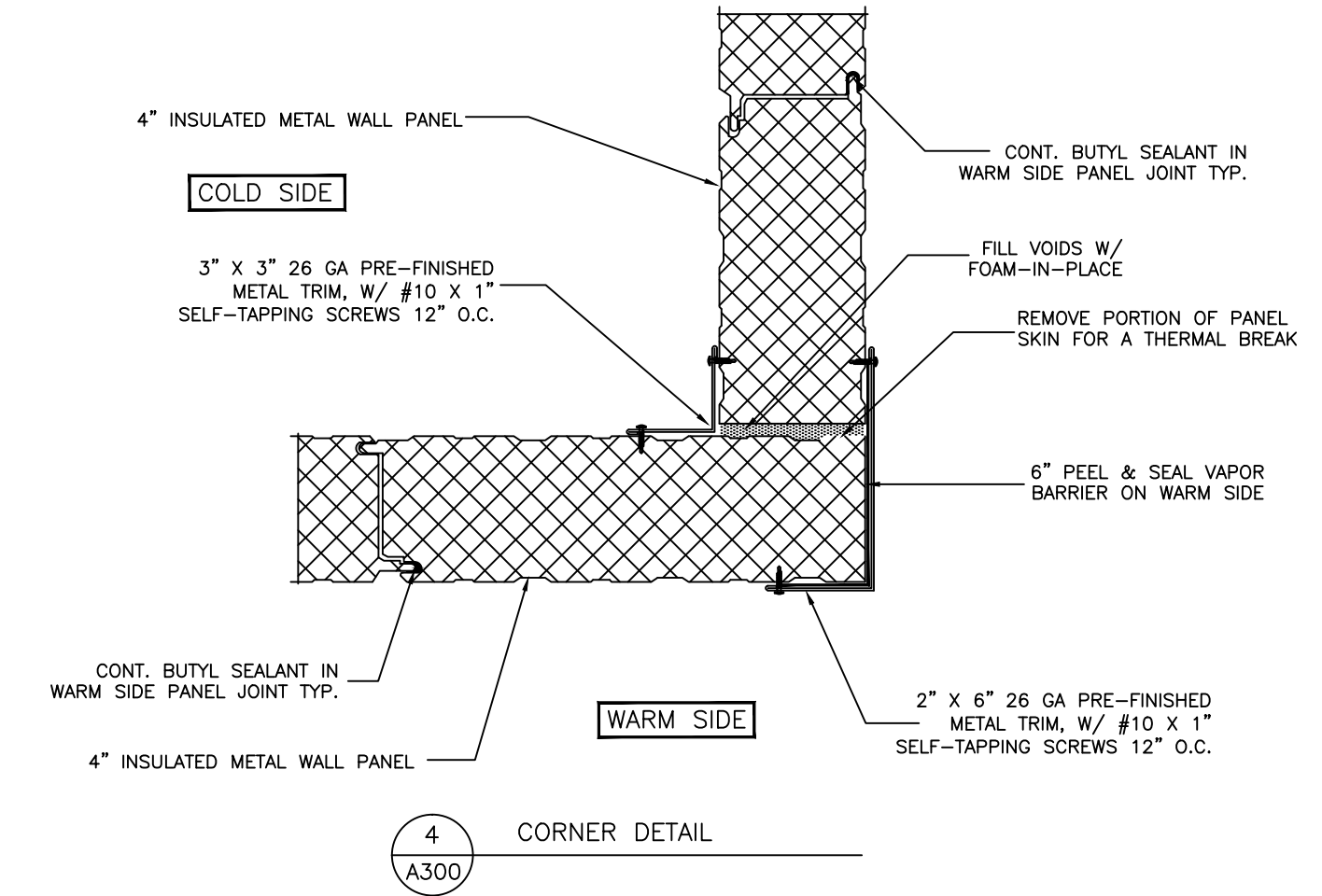
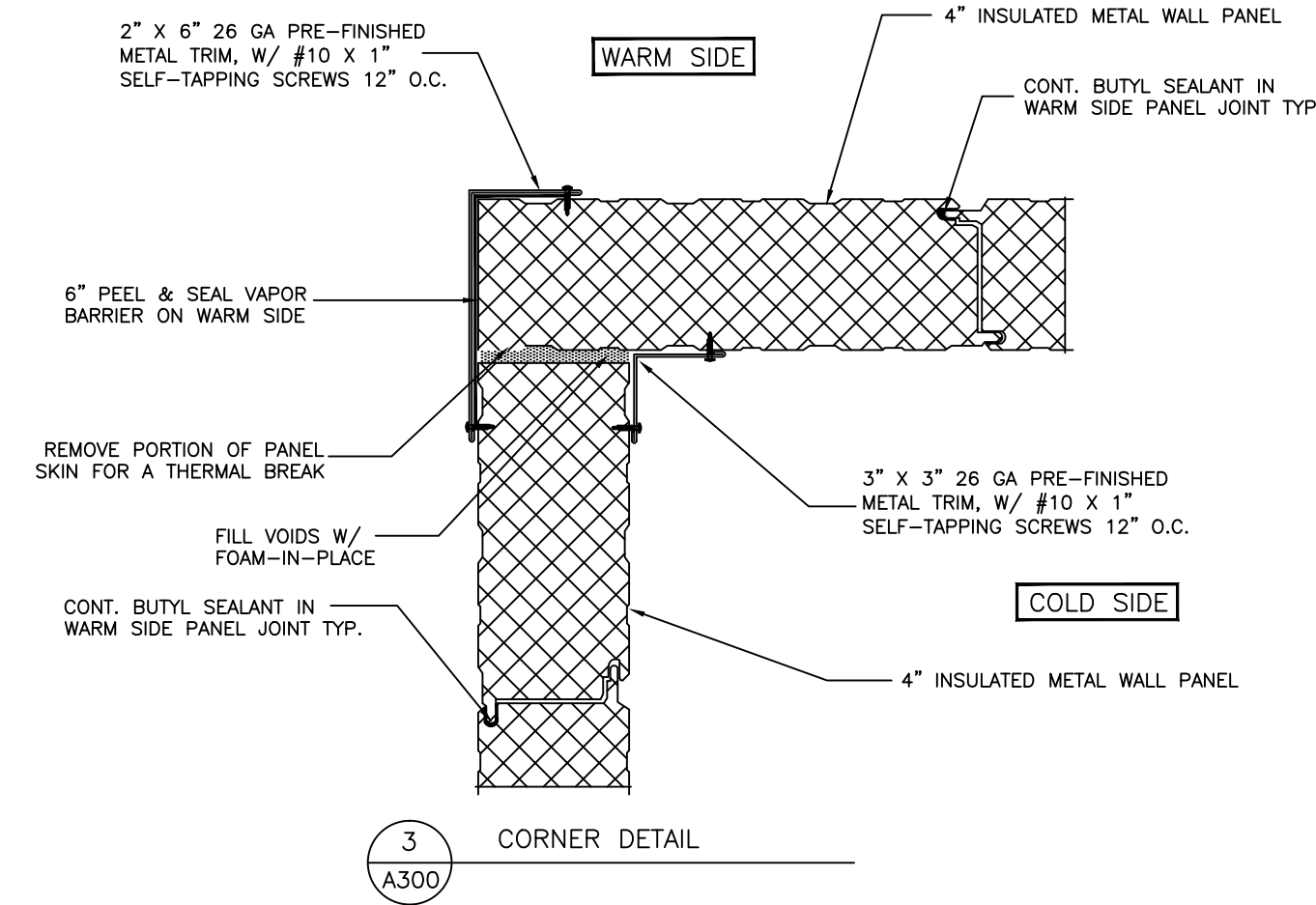
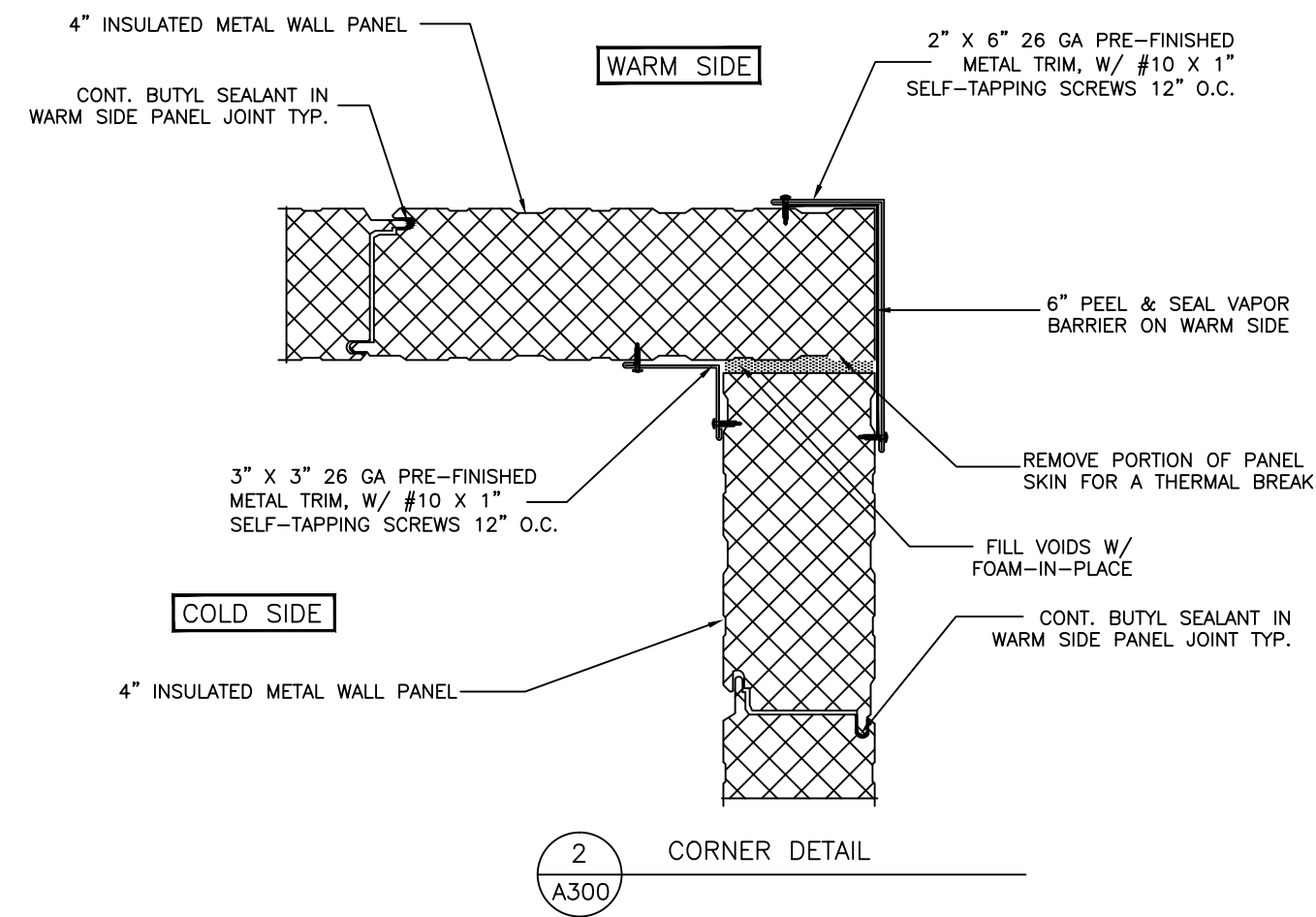
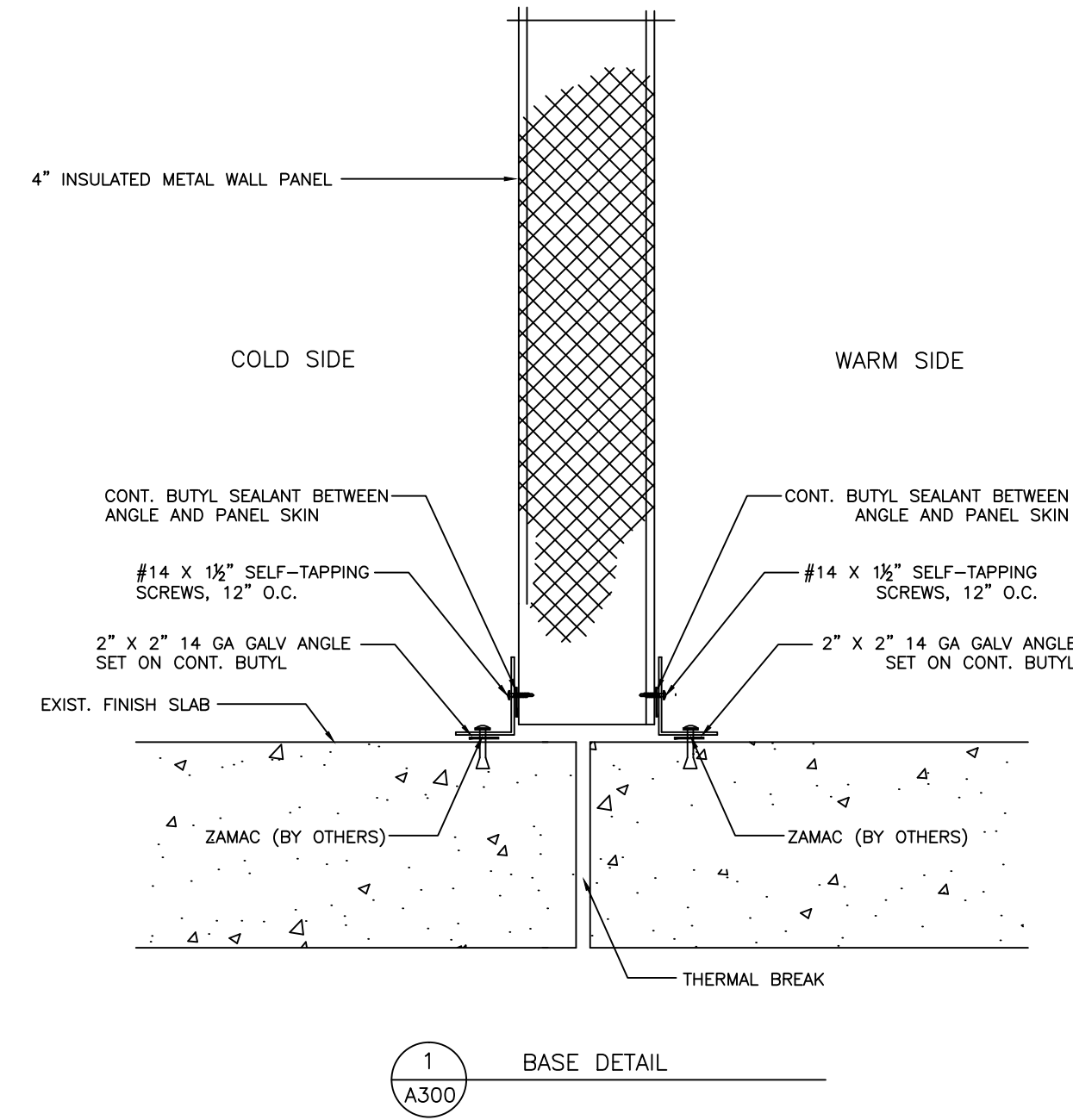
20' x 40' x 16'-4"
Drive-In Freezer

TOLERANCES UNLESS SPECIFIED
FRACTIONAL .XX ± 1/32" .015 X' ± 0'30"
DECIMAL .XXX ± .005 .XXXX ± .005"
ANGLE .XXXX ± .001

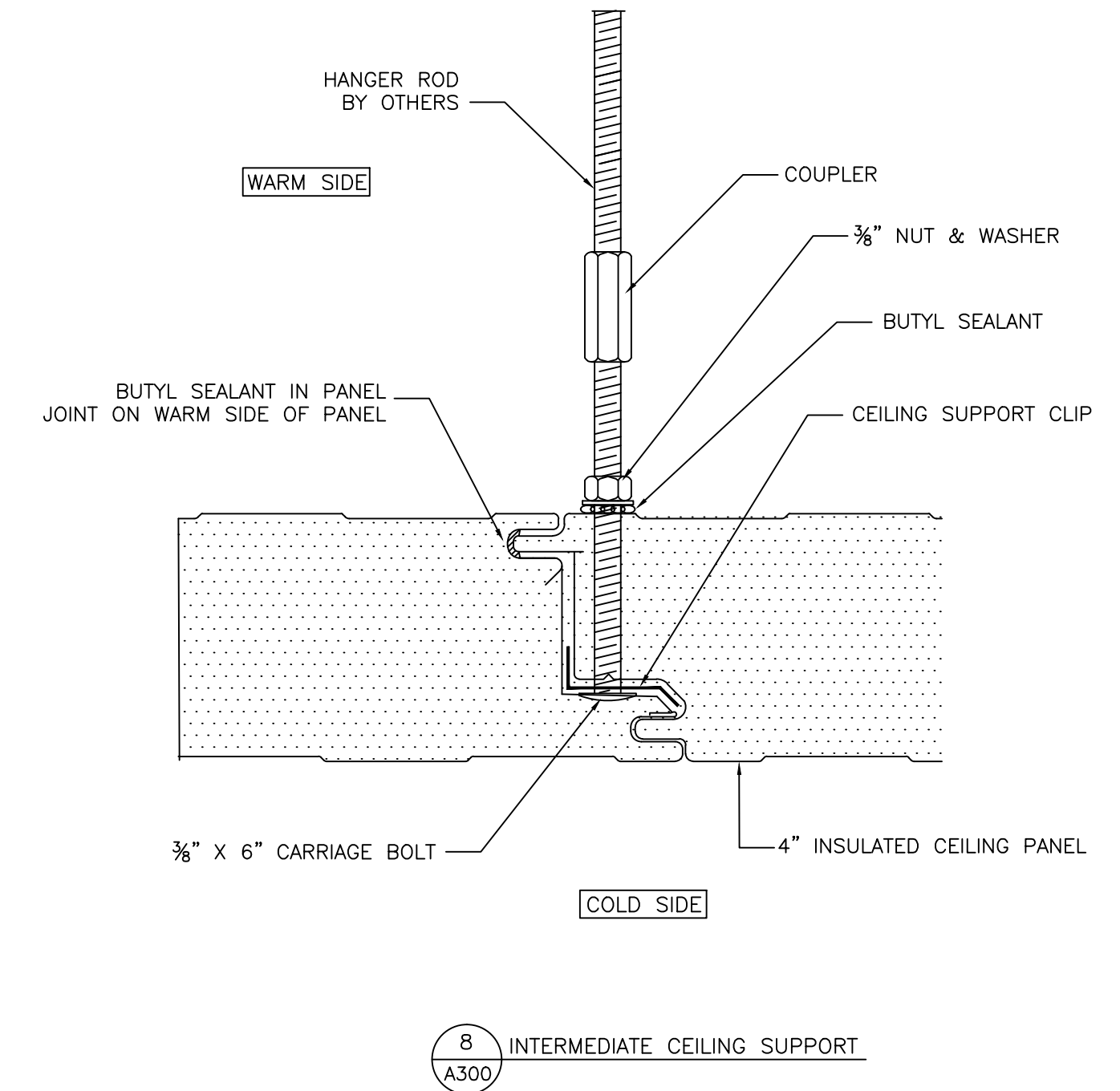
Draftsman is not responsible for panel heights, quantities and/or dimensions. Contractor to verify all information.

WALL ELEVATIONS

DR. BY: KRZ
DATE: 8/30/2016
SCALE: NTS
CHECKED BY:
SHEET NO. A200



7 NOT USED
A300



NO.	REVISION	BY	DATE

Barr Inc.
1423 Planeview Drive
Oshkosh, WI 54904
920-231-1711 Phone

20' x 40' x 16'-4"
Drive-In Freezer

TOLERANCES UNLESS SPECIFIED:
FRACTIONAL X/X" ± 1/32"
DECIMAL .XX ± .015
.XXX ± .005
.XXXX ± .001
ANGLE X° ± 0'30"
X'XX" ± 0'05"
DRAFTSMAN IS NOT RESPONSIBLE FOR PANEL HEIGHTS, QUANTITIES, AND/OR DIMENSIONS. CONTRACTOR TO VERIFY ALL INFORMATION.