

Barr Inc.
1423 Planeview Drive
Oshkosh, WI 54904
920-231-1711 Phone

40' x 40' x 20'-5"
Drive-In Freezer

DRAWING INDEX

T.1	TITLE SHEET
A100	FLOOR/CEILING PLAN
A200	INSULATED WALL PANEL ELEVATIONS
A300	INSULATED WALL PANEL DETAILS

REVISION	DATE

Barr Inc.
1423 Planeview Drive
Oshkosh, WI 54904
920-231-1711 Phone

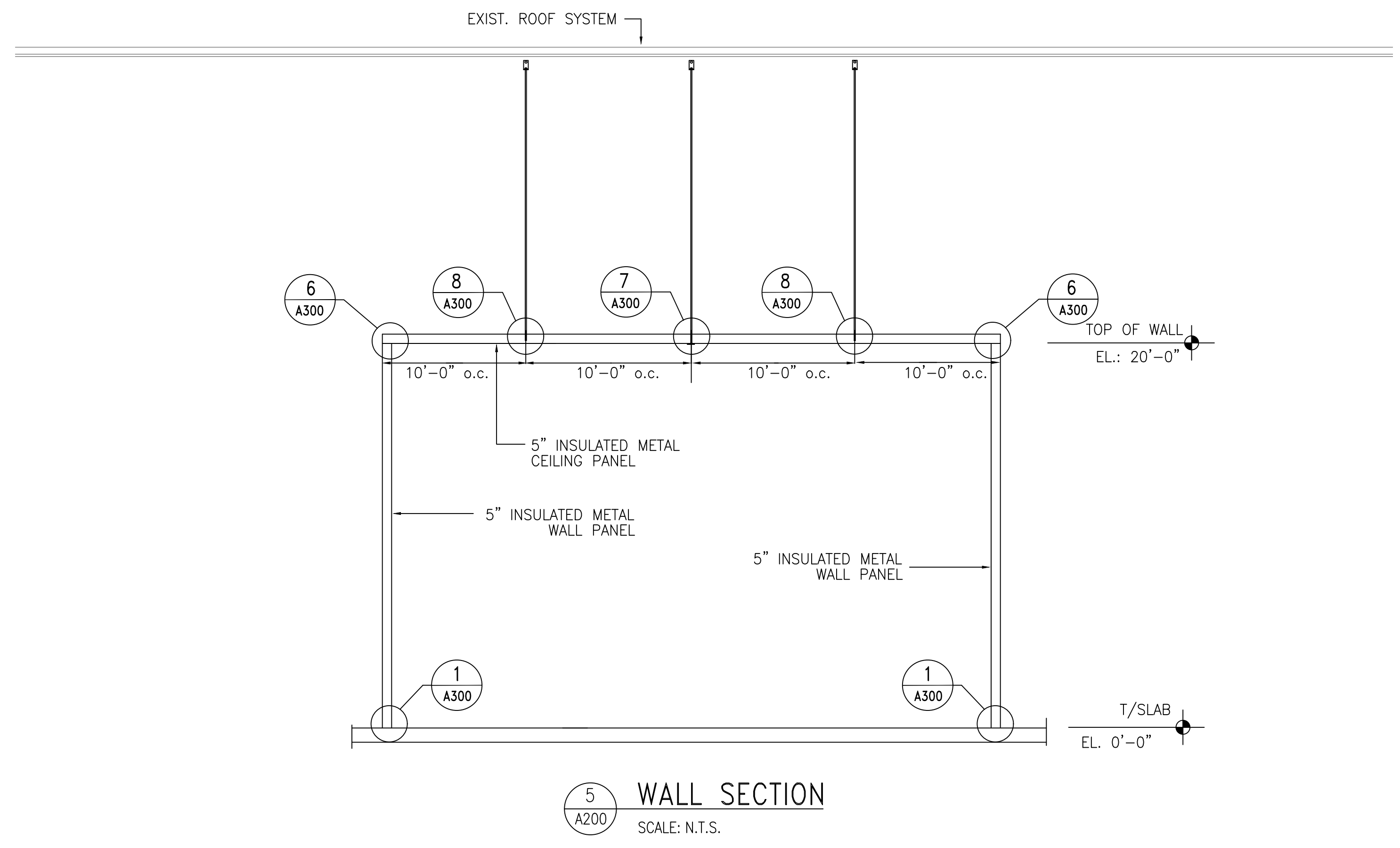
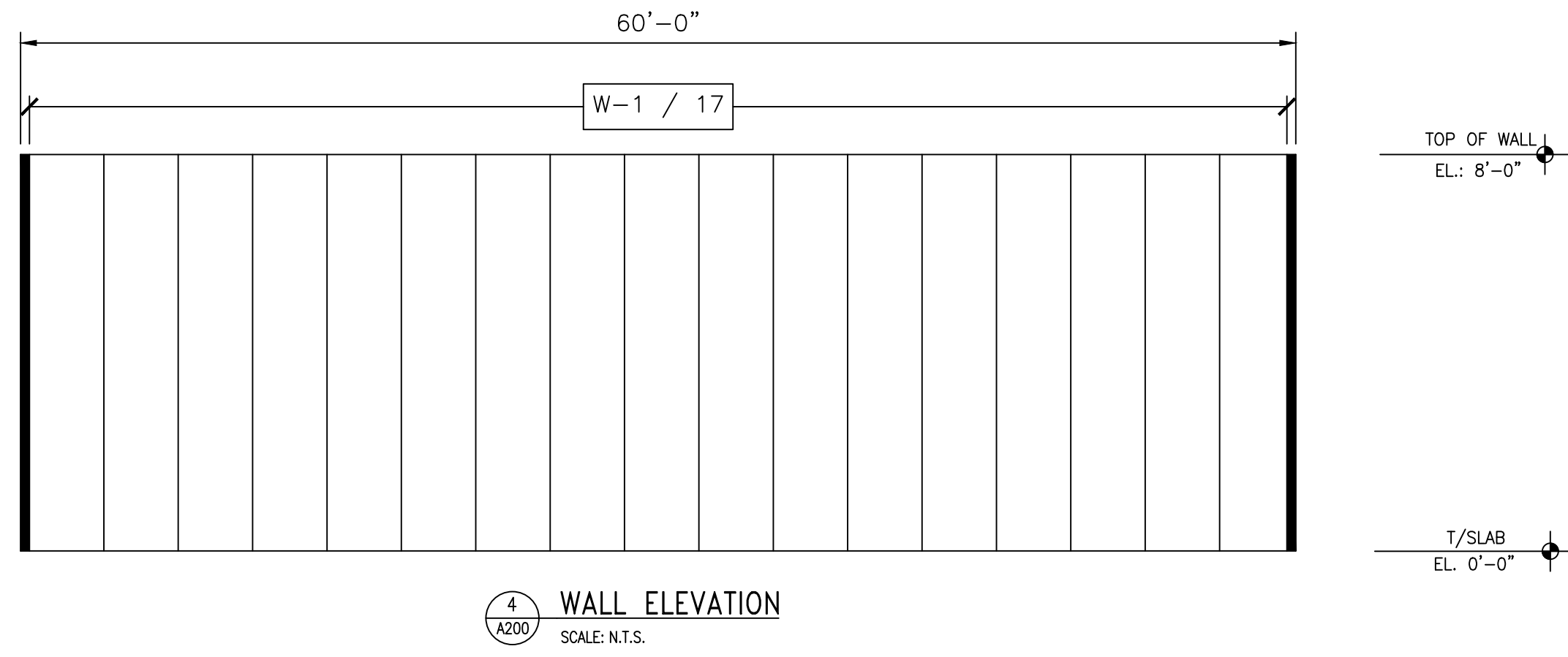
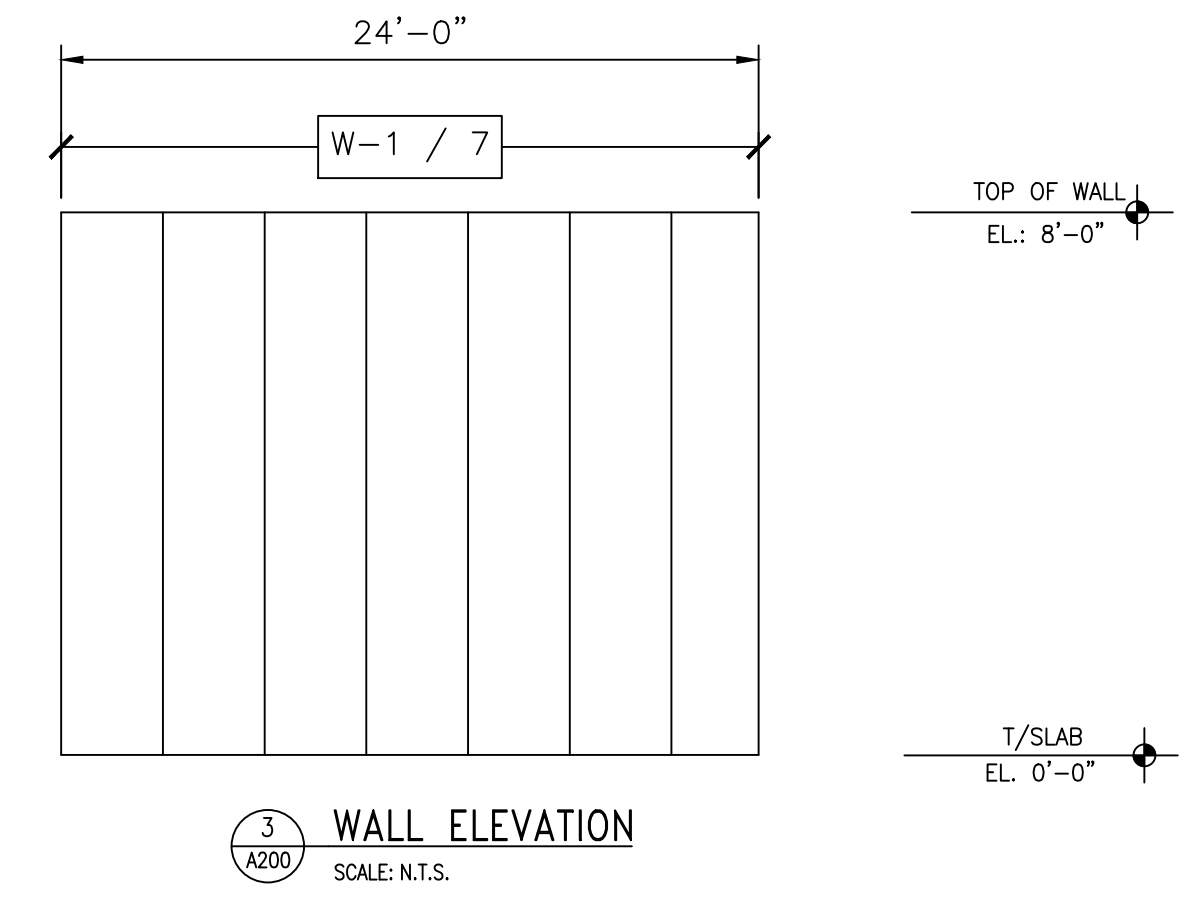
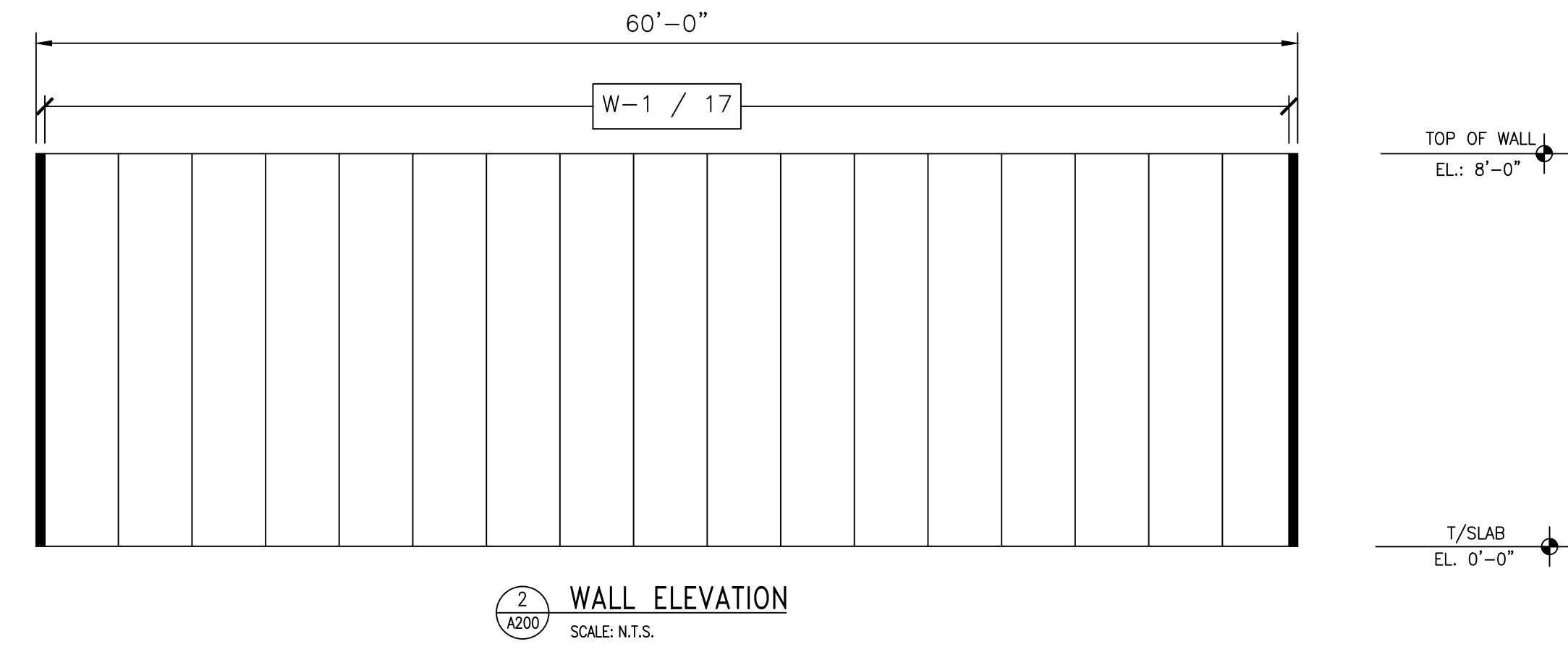
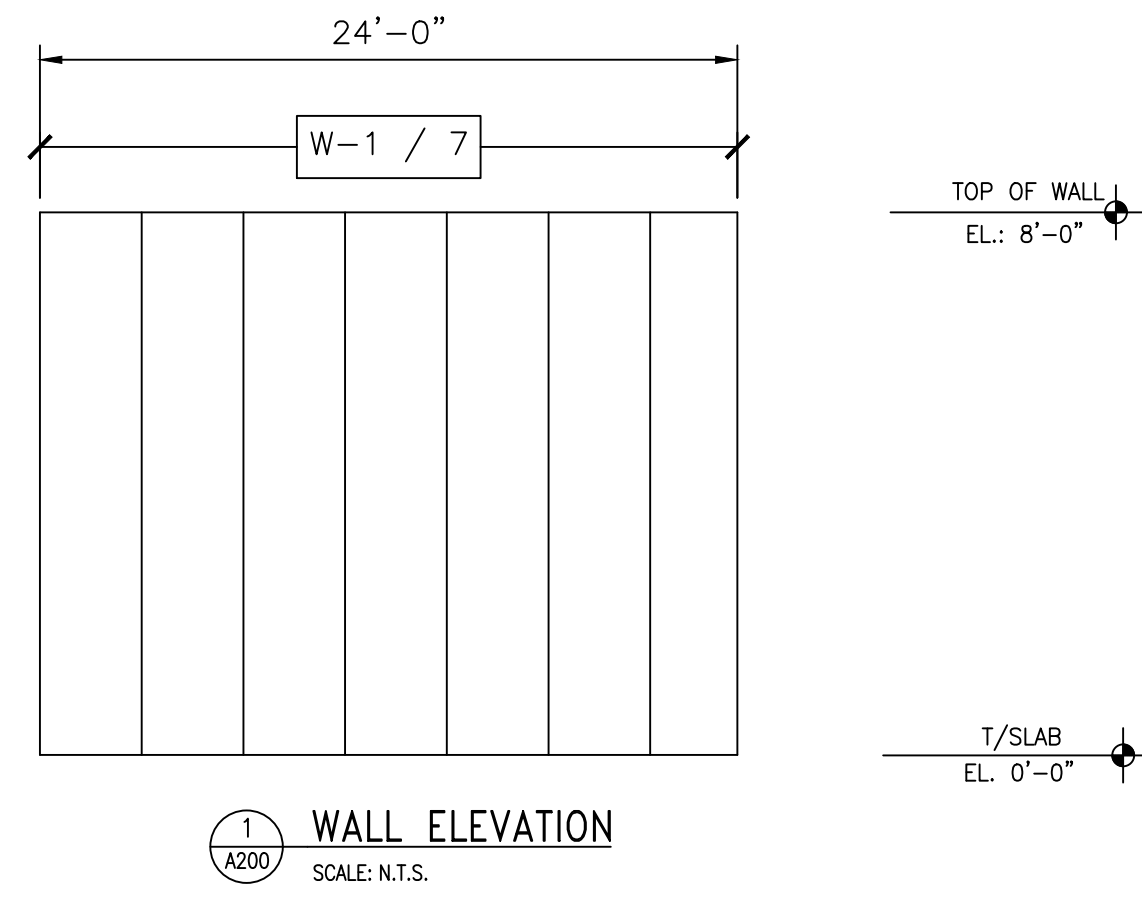
40' x 40' x 20'-5"
Drive-In Freezer

TOLERANCES UNLESS SPECIFIED
FRACTIONAL X/8" ± 1/32"
DECIMAL .XX ± .015
.XXX ± .005
.XXXX ± .001
ANGLE X" ± 0°30'
X'XX" ± 0°05'

Draftsman is not responsible for panel heights, wall dimensions. Contractor to verify all information.

TITLE

DR. BY: KRZ
DATE: 8/1/2023
SCALE: NTS
CHECKED BY:
SHEET NO. T.1



PANEL SCHEDULE

PANEL DESIG.	PANEL HEIGHT	QTY OF PANELS	PANEL THICK	PANEL SERIES	PANEL COLOR
W-1	20'-0"	48	5"	MESALINE	USDA WHITE
C-2	20'-0"	24	5"	MESALINE	USDA WHITE

REVISION	BY	DATE

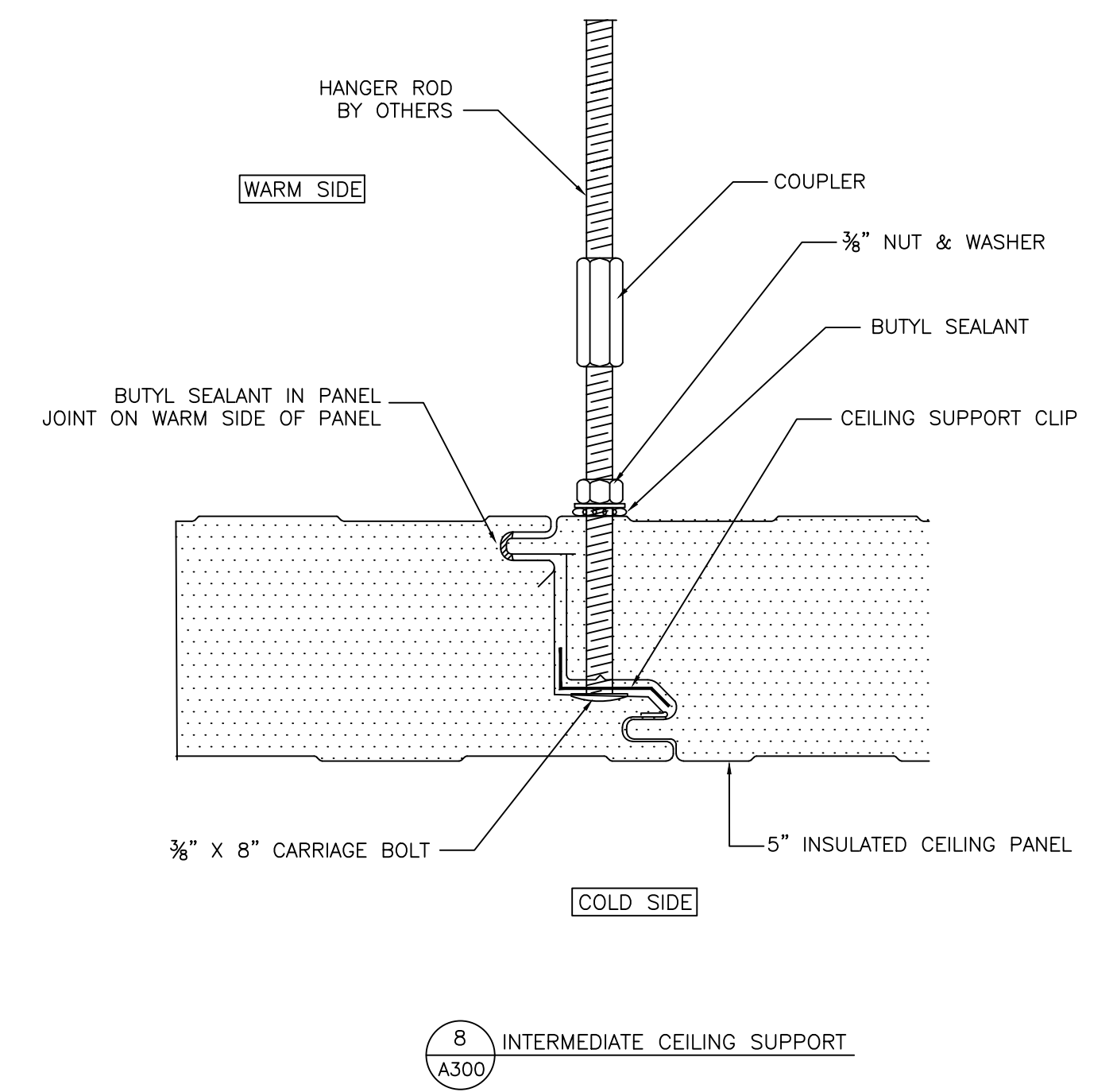
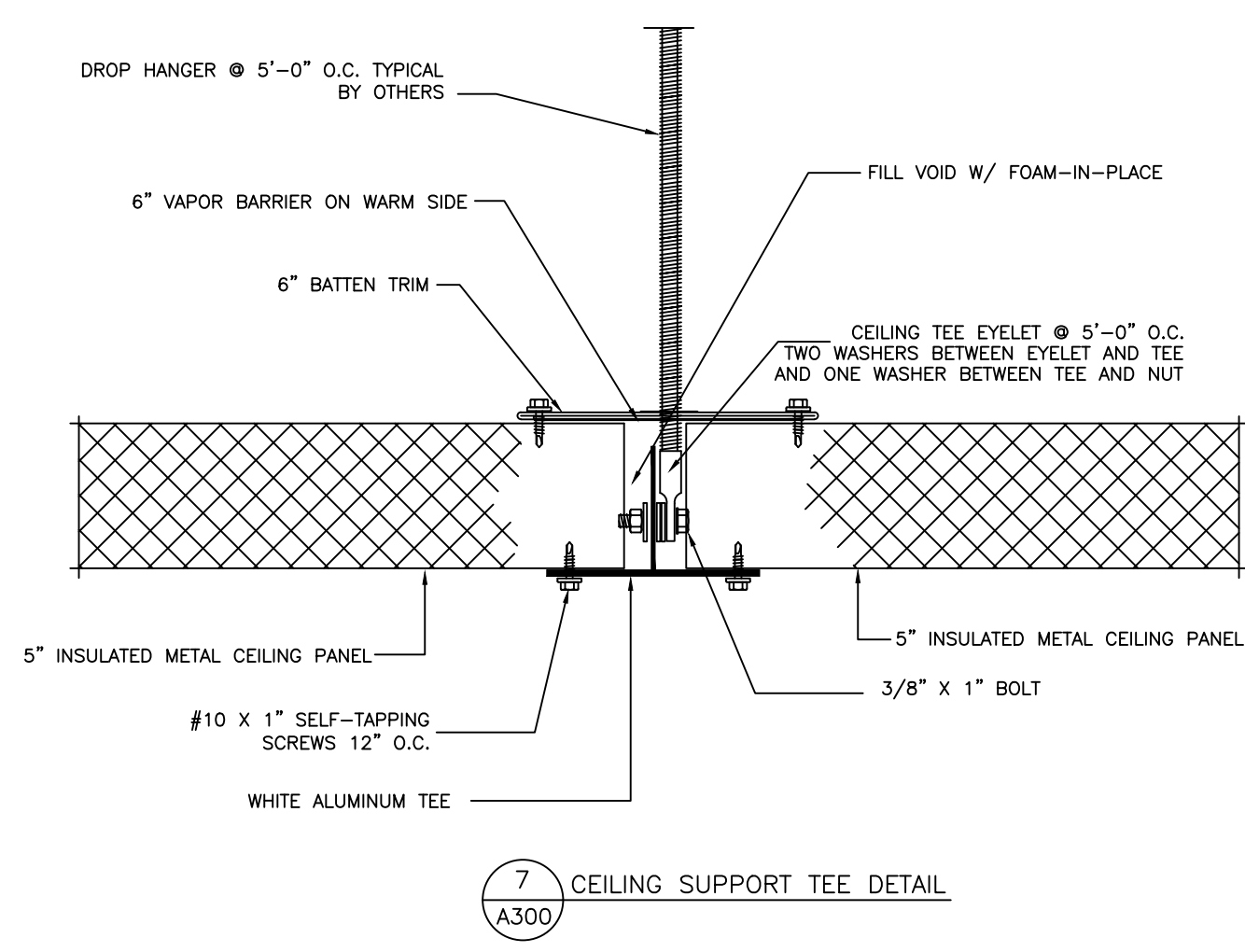
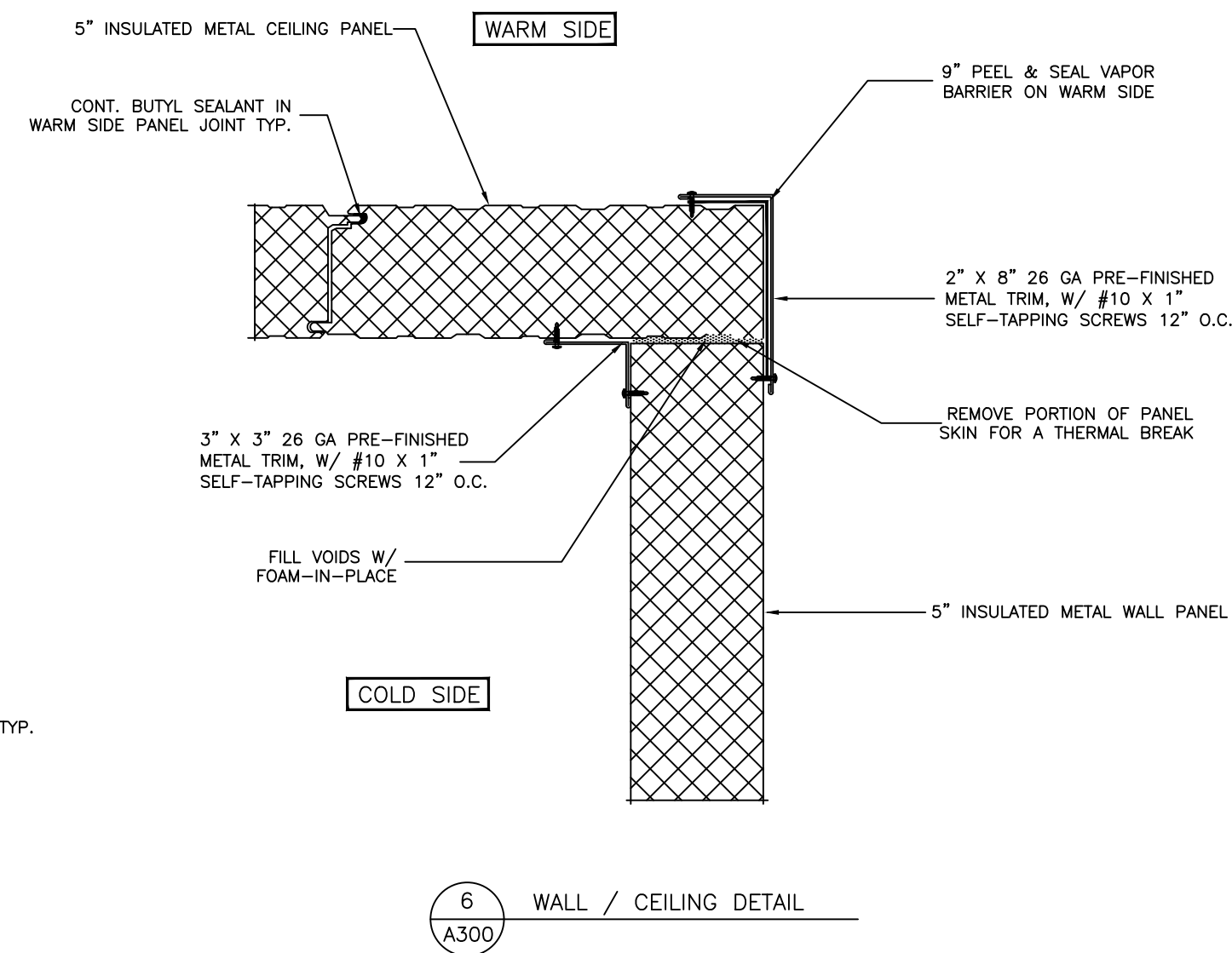
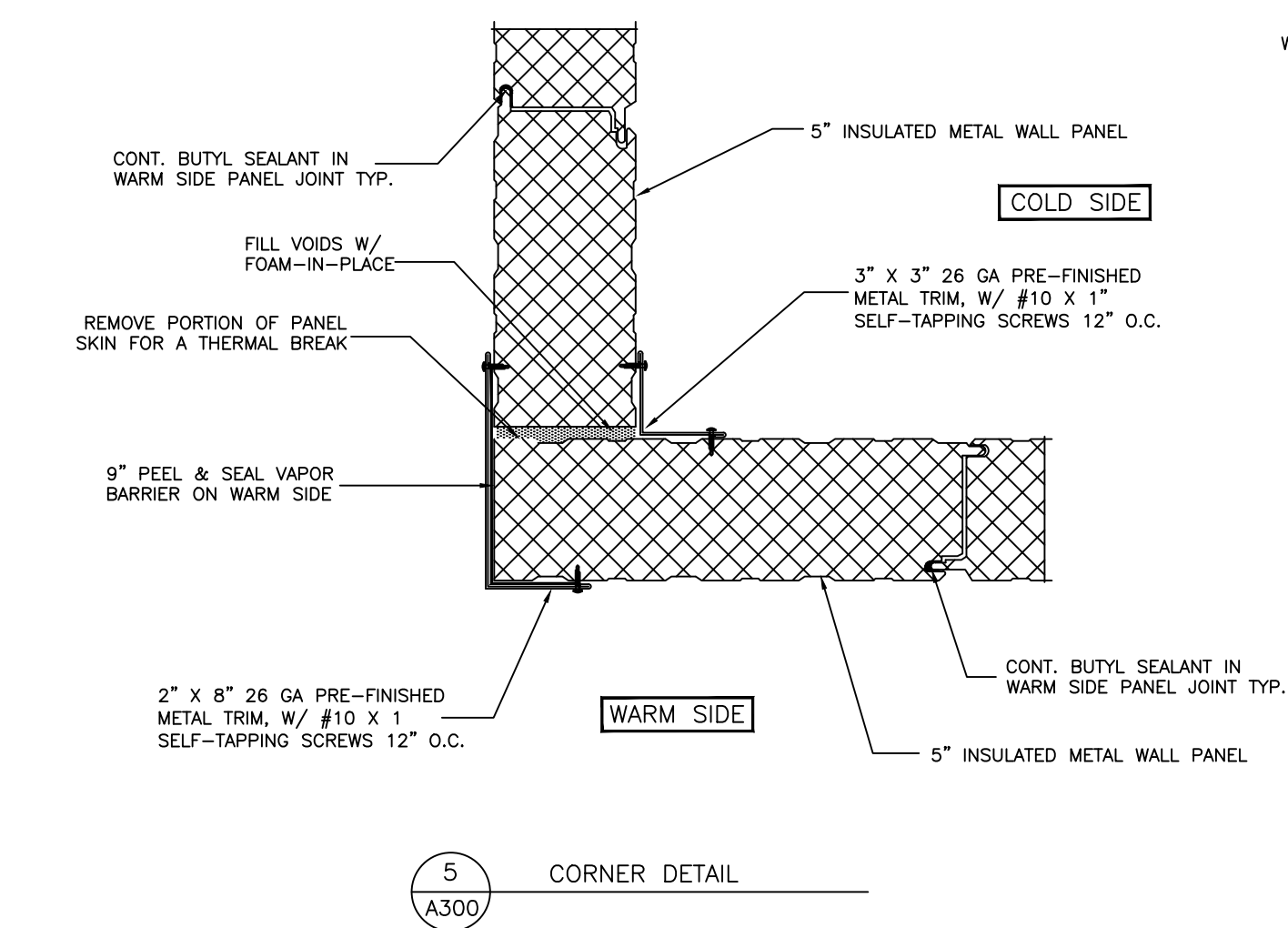
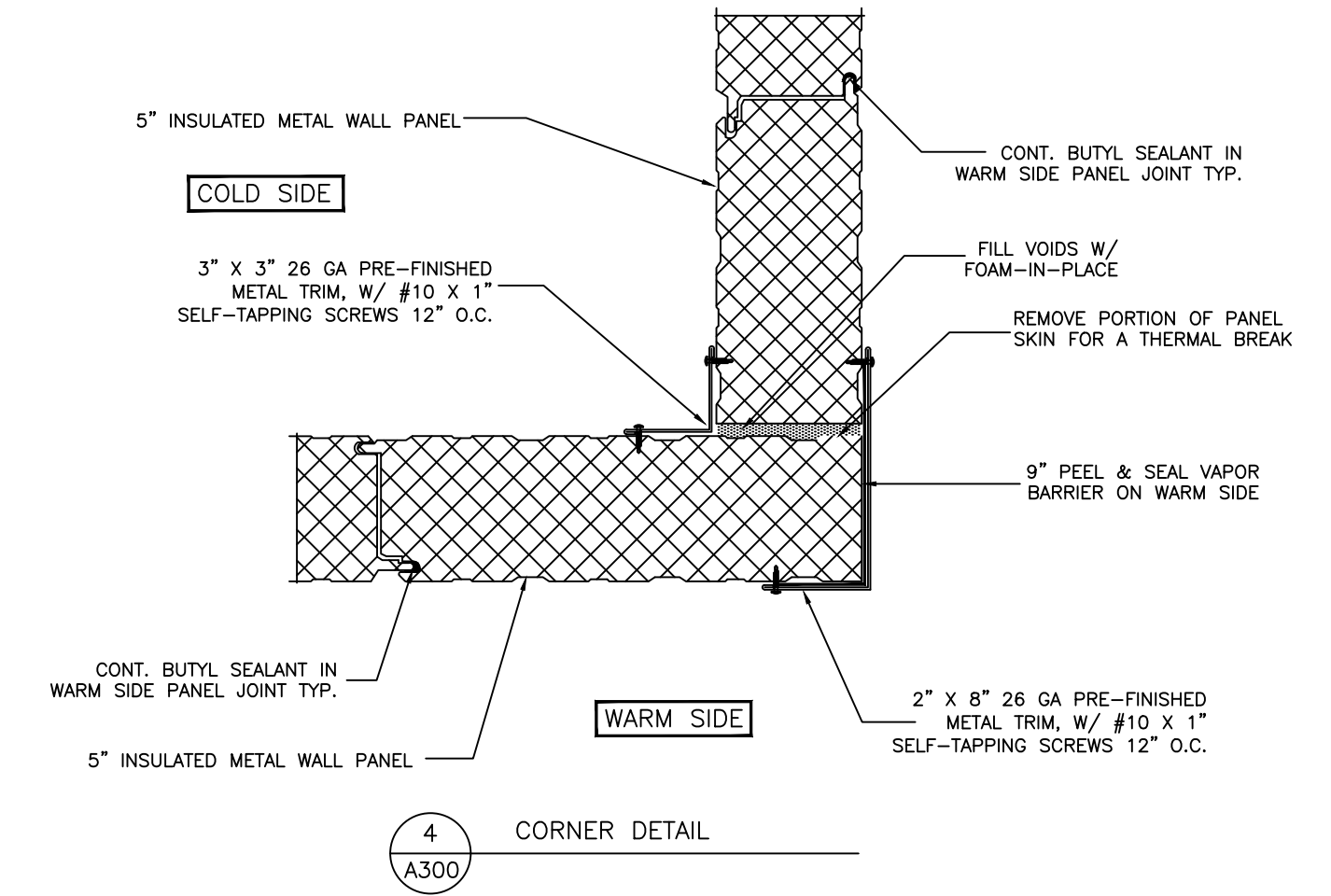
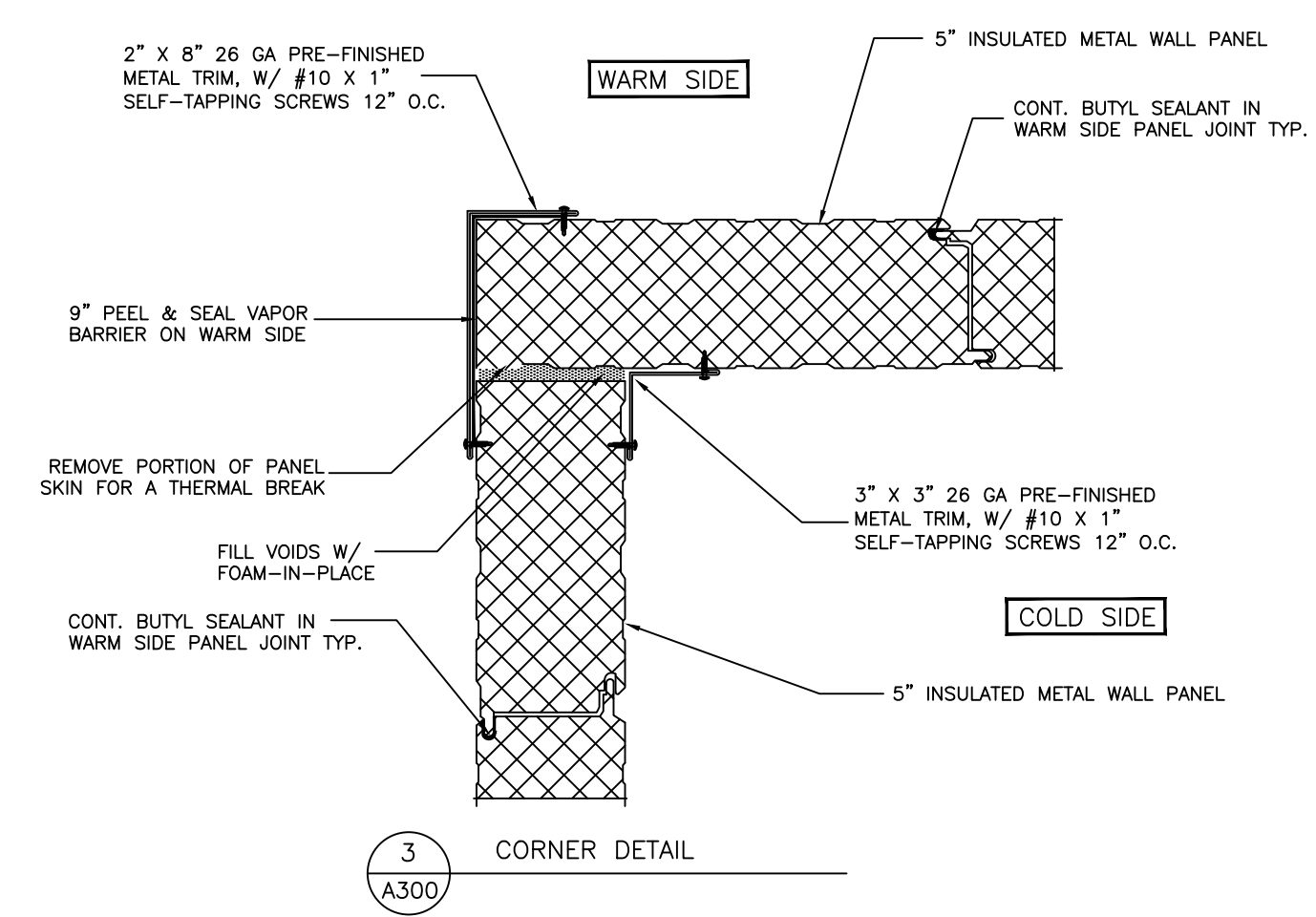
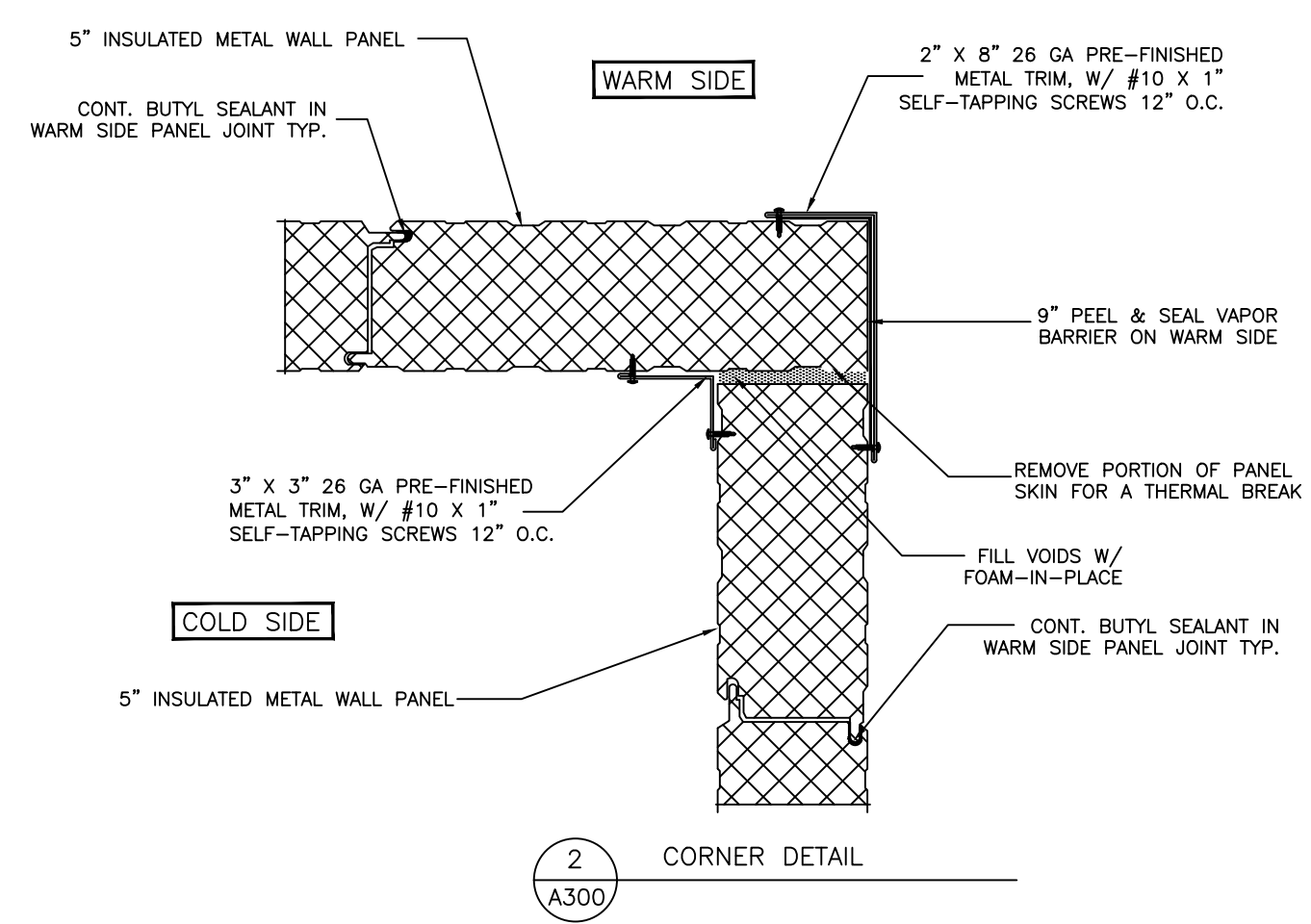
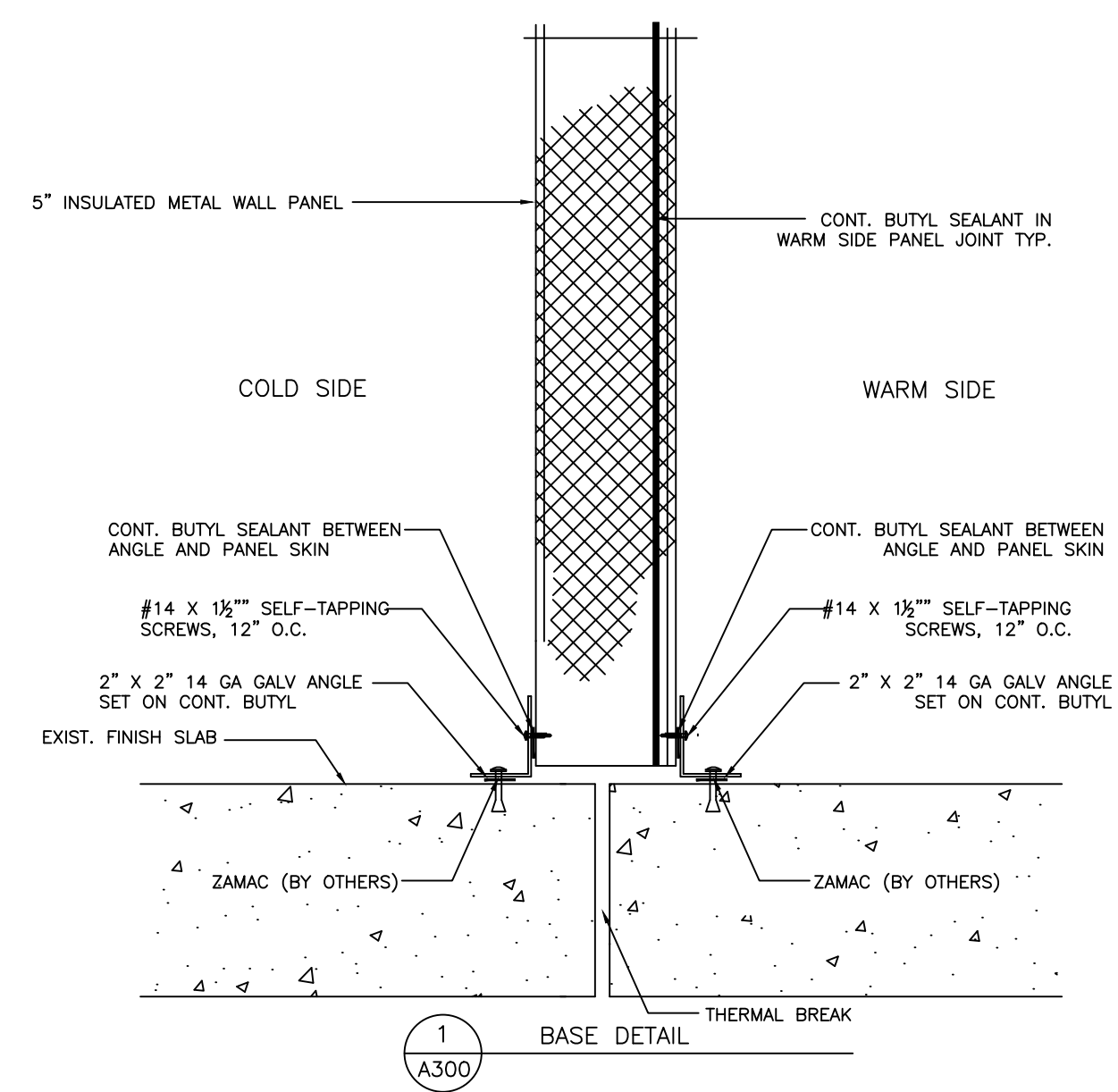
Barr Inc.
 1423 Planeview Drive
 Oshkosh, WI 54904
 920-231-1711 Phone

40' x 40' x 20'-5"
 Drive-In Freezer

TOLERANCES UNLESS SPECIFIED
 FRACTIONAL DECIMAL ANGLE
 X/X" ± 1/32" .XX ± .015 X" ± 0.30"
 .XXX ± .005 X"XX ± .005
 .XXXX ± .001
 Draftsmen is not responsible for panel heights, verify all dimensions. Contractor to verify all information.

WALL ELEVATIONS

DR. BY: KRZ
 DATE: 8/1/2023
 SCALE: NTS
 CHECKED BY:
 SHEET NO. A200



NO.	REVISION	DATE	BY

Barr Inc.
1423 Planeview Drive
Oshkosh, WI 54904
920-231-1711 Phone

40' x 40' x 20'-5"
Drive-In Freezer

TOLERANCES UNLESS SPECIFIED
FRACTIONAL DECIMAL ANGLE
X/X" ± 1/32" .XX ± .015 X" ± 0'30"
.XXX ± .005 X'XX' ± .005'
.XXXX ± .001
Draftsmen is not responsible for panel heights, wall panel dimensions. Contractor to verify all information.

WALL DETAILS
DR.BY: KRZ
DATE: 8/1/2023
SCALE: NTS
CHECKED BY:
SHEET NO. A300