

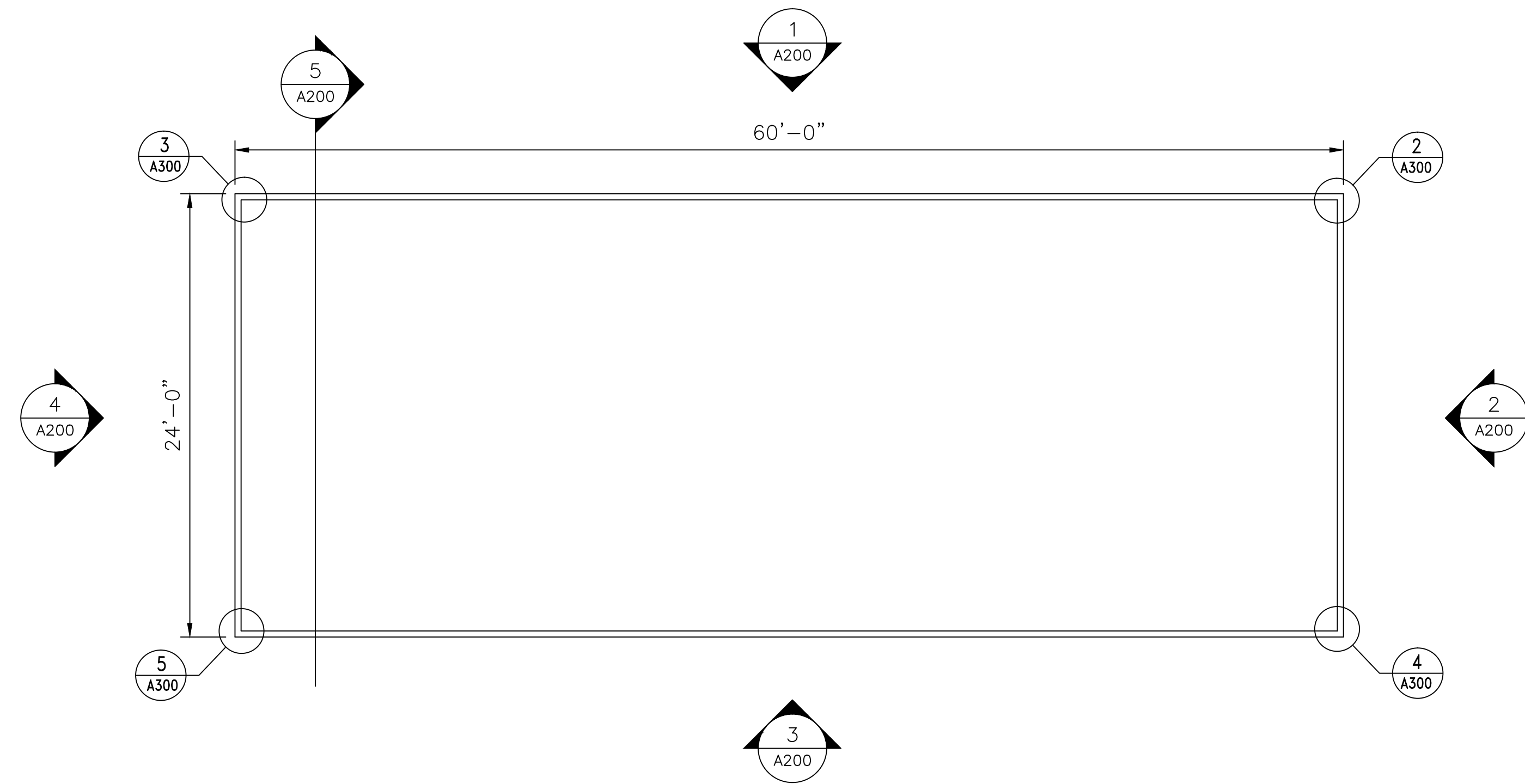
Barr Inc.
 1423 Planeview Drive
 Oshkosh, WI 54904
 920-231-1711 Phone

24' x 60' x 16'-4"
Drive-In Freezer

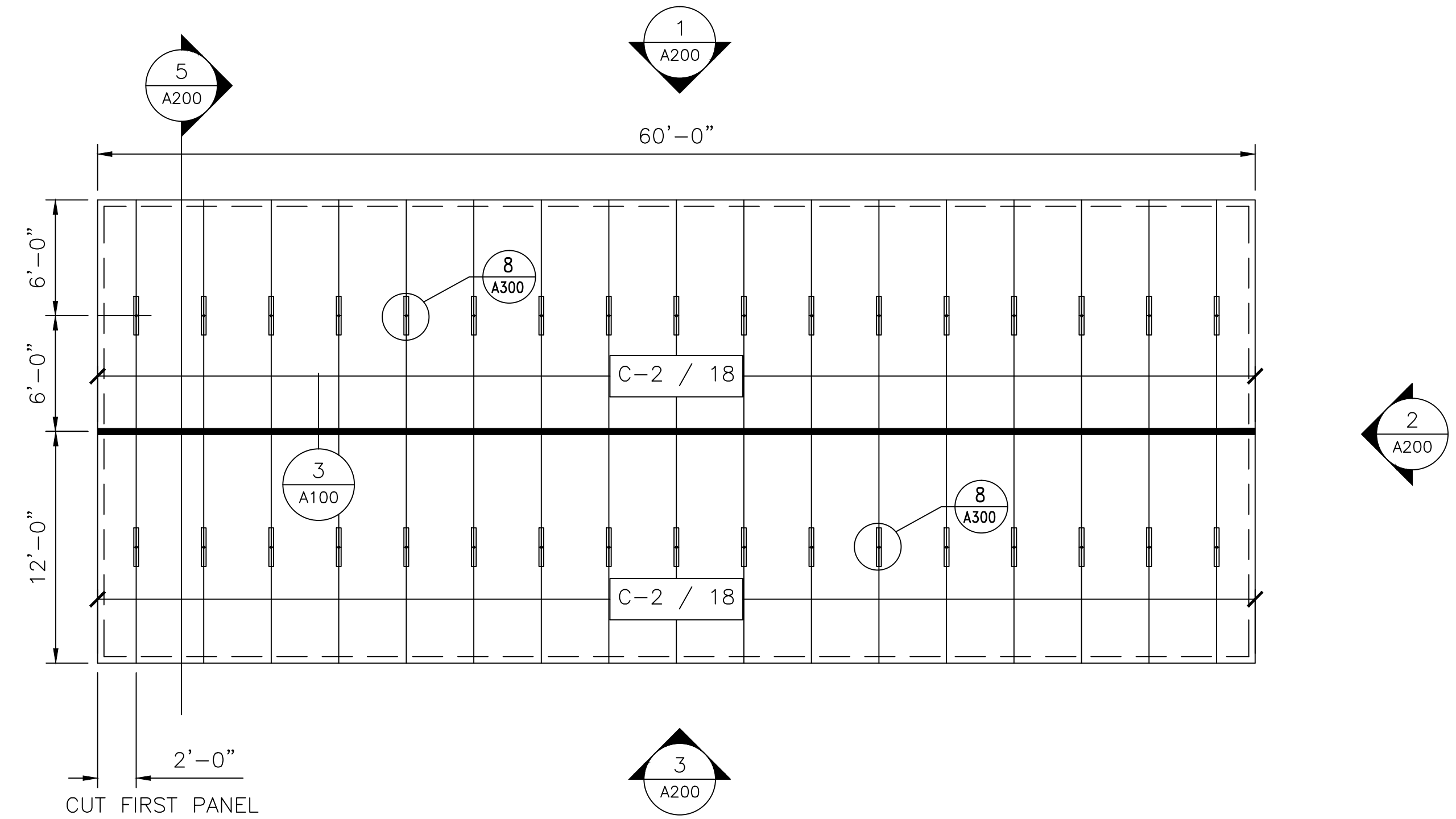
DRAWING INDEX

T.1	TITLE SHEET
A100	FLOOR/CEILING PLAN
A200	INSULATED WALL PANEL ELEVATIONS
A300	INSULATED WALL PANEL DETAILS

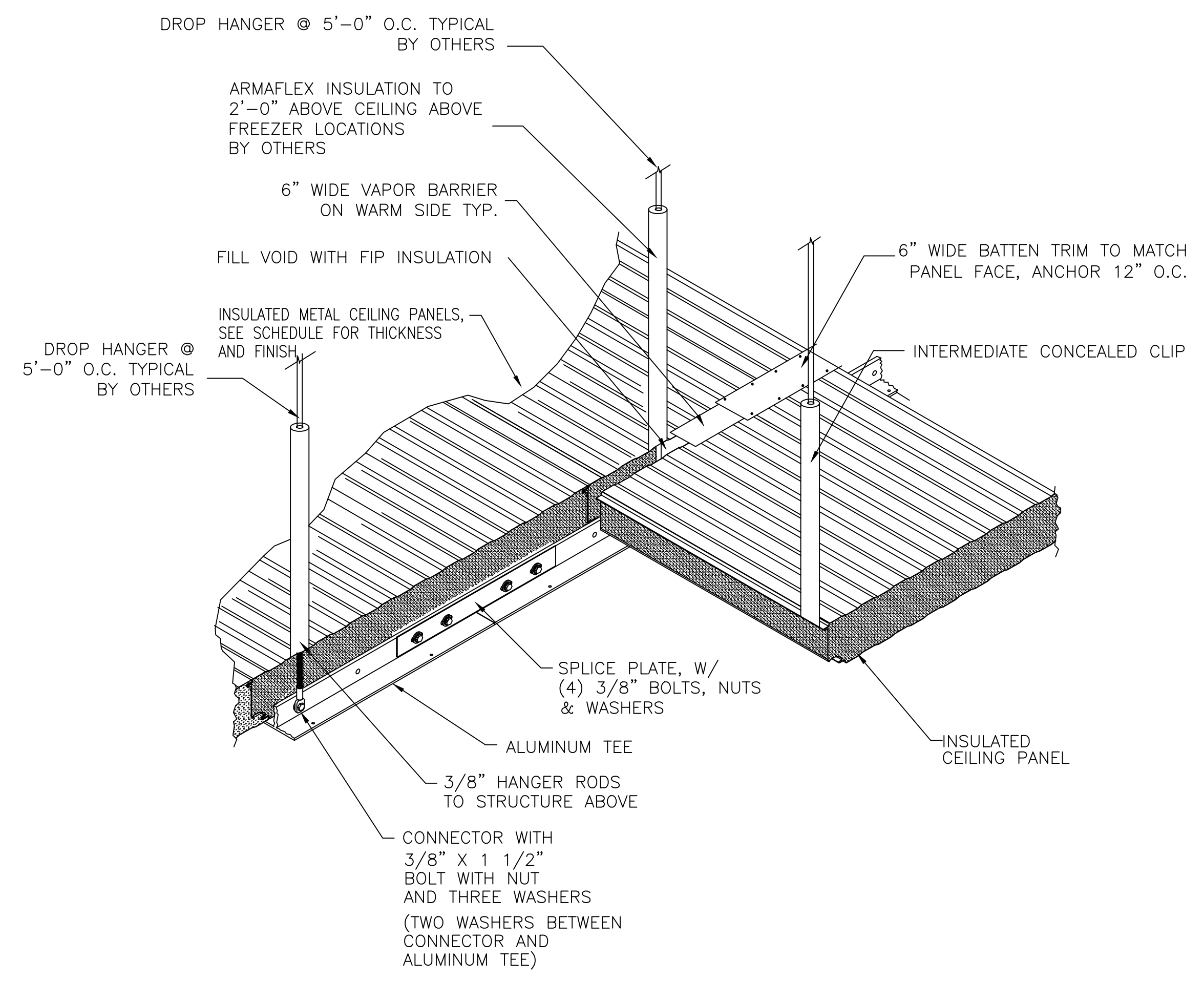
TITLE	24' x 60' x 16'-4" Drive-In Freezer	Barr Inc. 1423 Planeview Drive Oshkosh, WI 54904 920-231-1711 Phone	REVISION <table border="1" style="width: 100%; border-collapse: collapse;"> <tr><td style="width: 5%;"> </td><td style="width: 5%;"> </td><td style="width: 5%;"> </td><td style="width: 5%;"> </td><td style="width: 5%;"> </td><td style="width: 5%;"> </td><td style="width: 5%;"> </td><td style="width: 5%;"> </td><td style="width: 5%;"> </td><td style="width: 5%;"> </td></tr> </table>										
<small> TOLERANCES UNLESS SPECIFIED FRACTIONAL: 1/32" ± 1/32" .XX ± .015 X' ± 0'30" XXX ± .005 XXX' ± 0'05" XXXX ± .001 </small>		<small> Draftsman is not responsible for panel heights, quantities and/or dimensions. Contractor to verify all information. </small>											
DR.BY: KRZ		DATE: 8/30/2016											
SCALE: NTS		CHECKED BY:											
SHEET NO. T.1		BY: DATE:											



1 FLOOR PLAN
A100 SCALE: N.T.S.



2 CEILING PLAN
A100 SCALE: N.T.S.



3 CEILING TEE DETAIL
A100 SCALE: N.T.S.

PANEL SCHEDULE

PANEL DESIG.	PANEL HEIGHT	QTY OF PANELS	PANEL THICK	PANEL SERIES	PANEL COLOR
W-1	16'-0"	50	4"	MESALINE	USDA WHITE
C-2	12'-0"	36	4"	MESALINE	USDA WHITE

NO.	REVISION	DATE	BY

Barr Inc.
1423 Planeview Drive
Oshkosh, WI 54904
920-231-1711 Phone

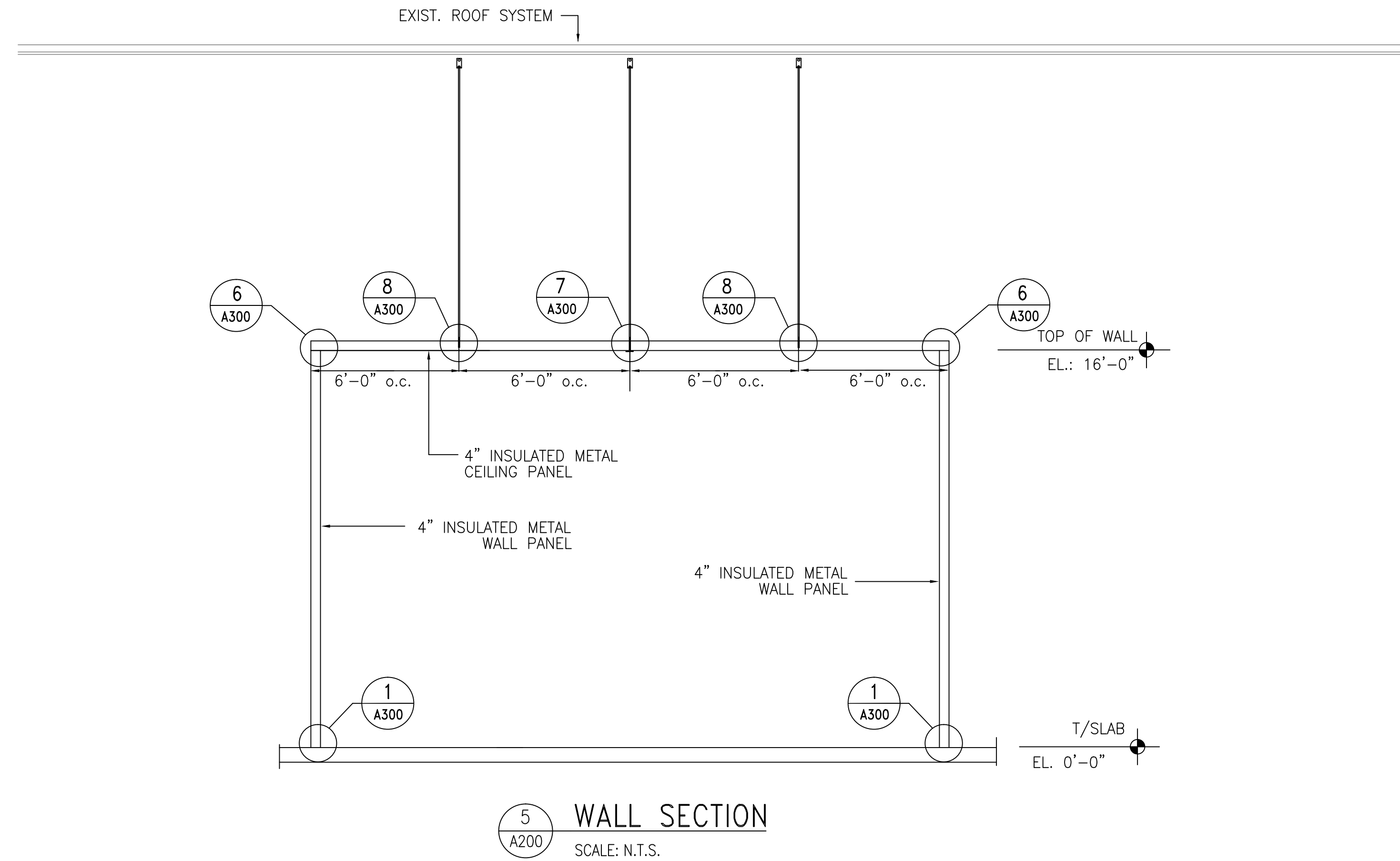
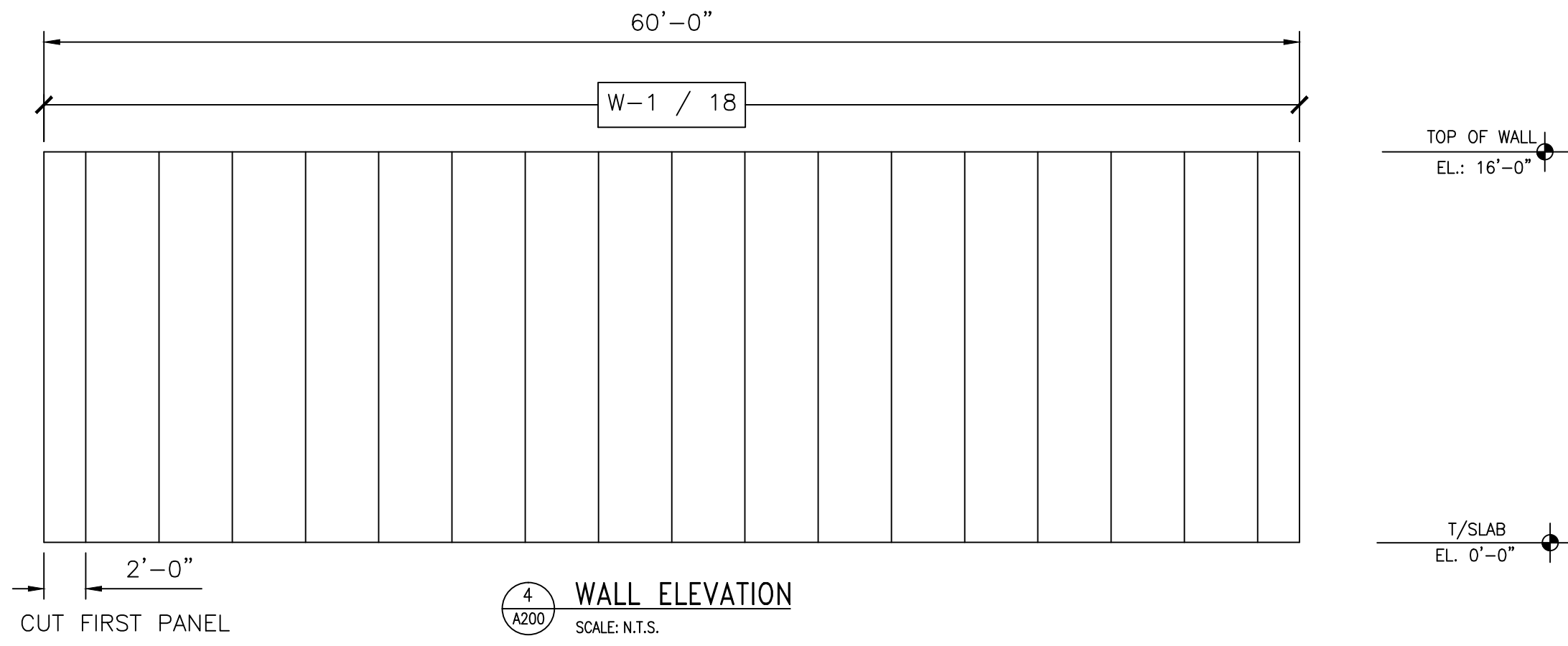
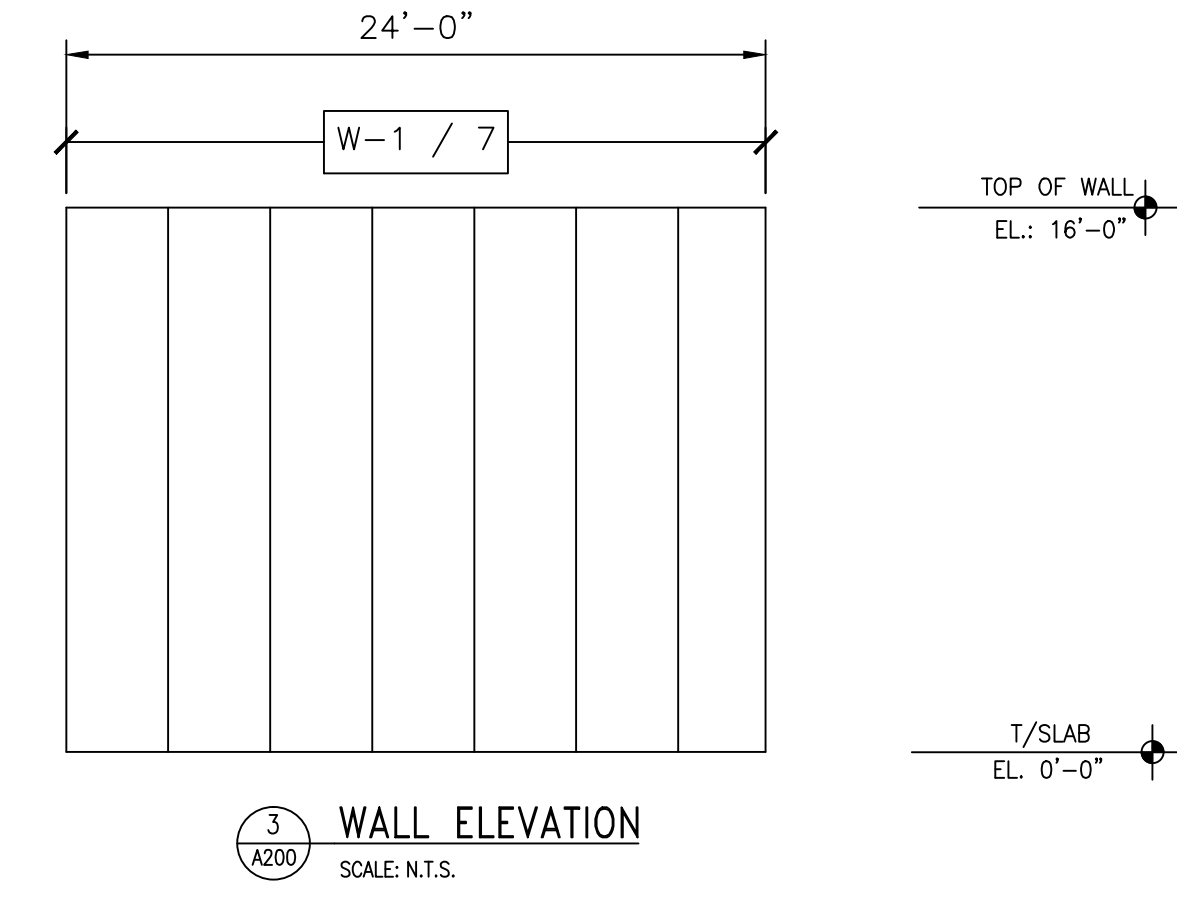
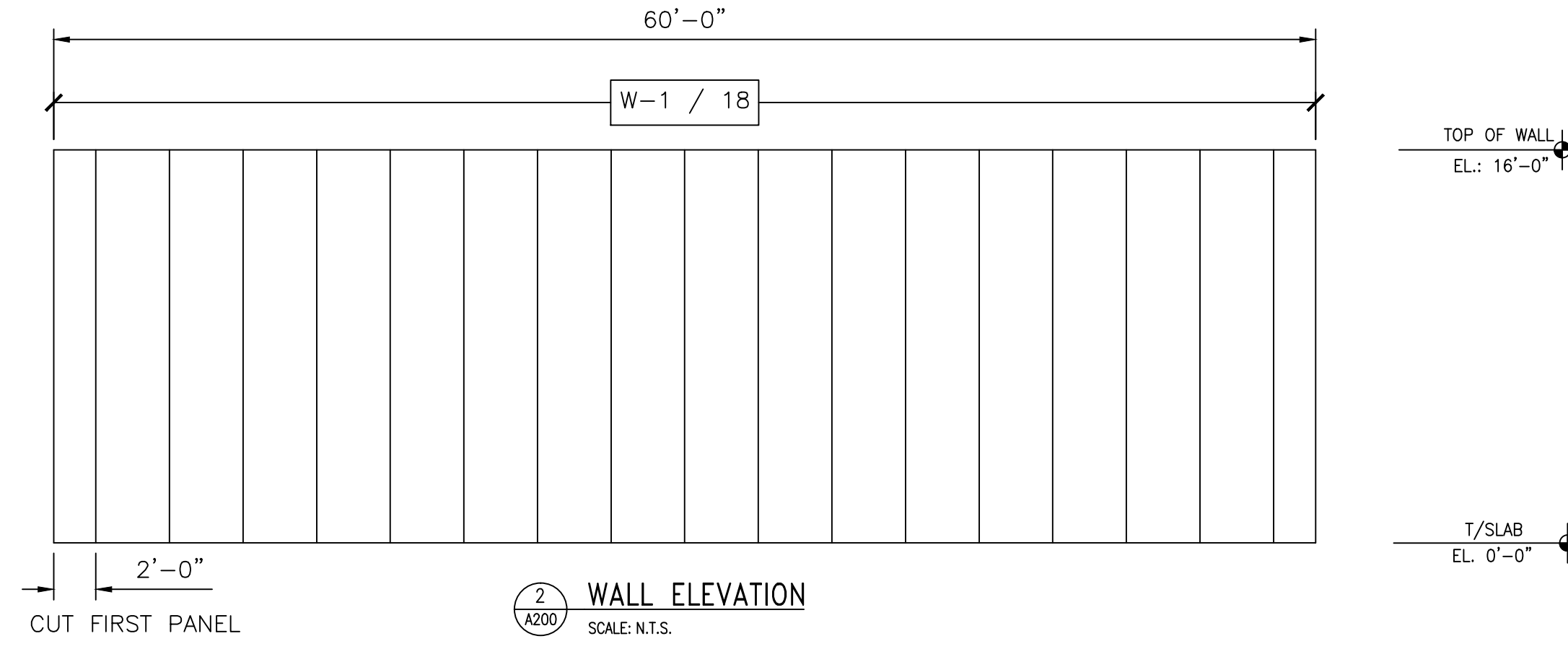
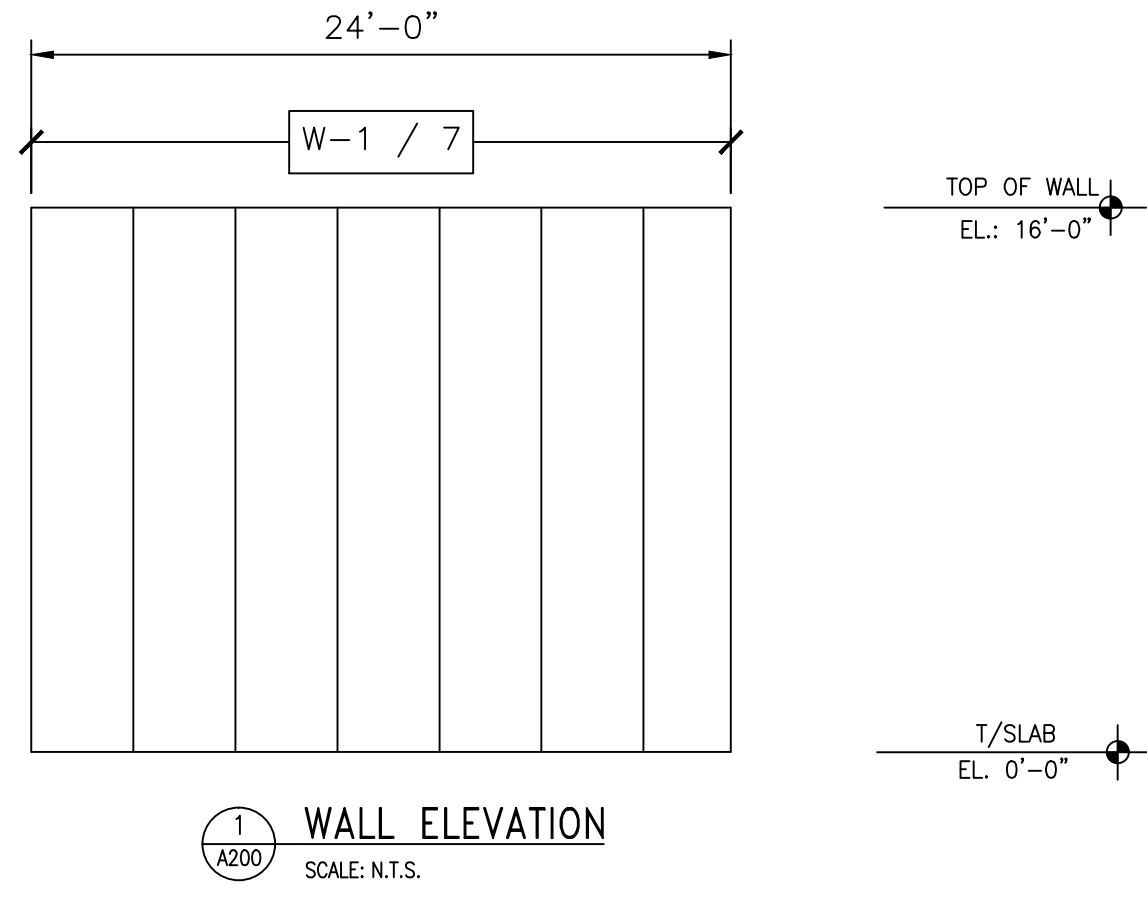
24' x 60' x 16'-4"
Drive-In Freezer

TOLERANCES UNLESS SPECIFIED
FRACTIONAL DECIMAL .015 X ± 0'30"
X/X" ± 1/32" .XX ± .005 X'X' ± 0'05"
.XXXX ± .001

Draftsman is not responsible for panel heights, quantities and / or dimensions. Contractor to verify all information.

FLOOR PLAN

DR.BY: KRZ
DATE: 8/30/2016
SCALE: NTS
CHECKED BY:
SHEET NO. A100



PANEL SCHEDULE

PANEL DESIG.	PANEL HEIGHT	QTY. OF PANELS	PANEL THICK	PANEL SERIES	PANEL COLOR
W-1	16'-0"	50	4"	MESALINE	USDA WHITE
C-2	12'-0"	36	4"	MESALINE	USDA WHITE

NO.	REVISION	BY	DATE

Barr Inc.
1423 Planeview Drive
Oshkosh, WI 54904
920-231-1711 Phone

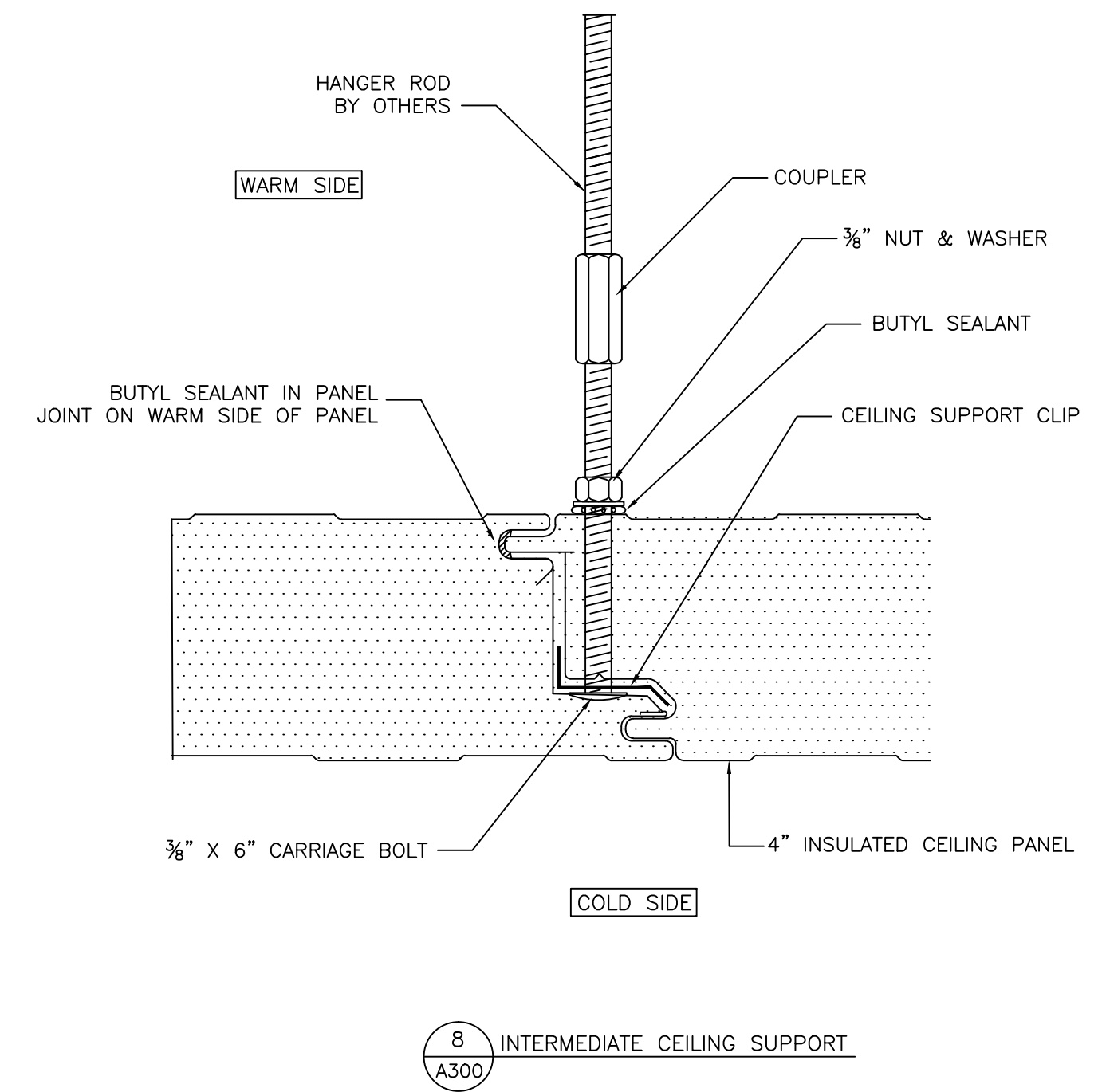
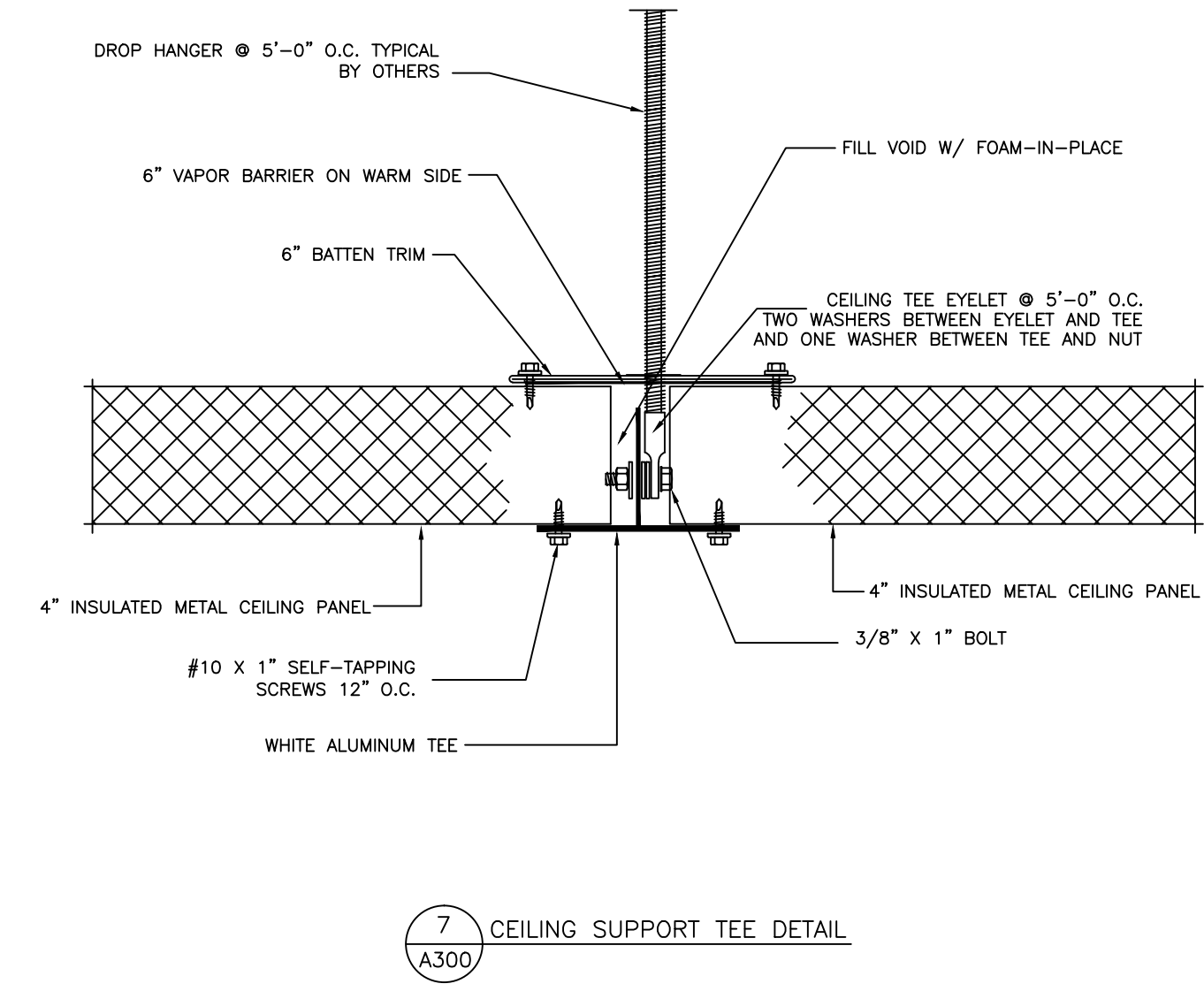
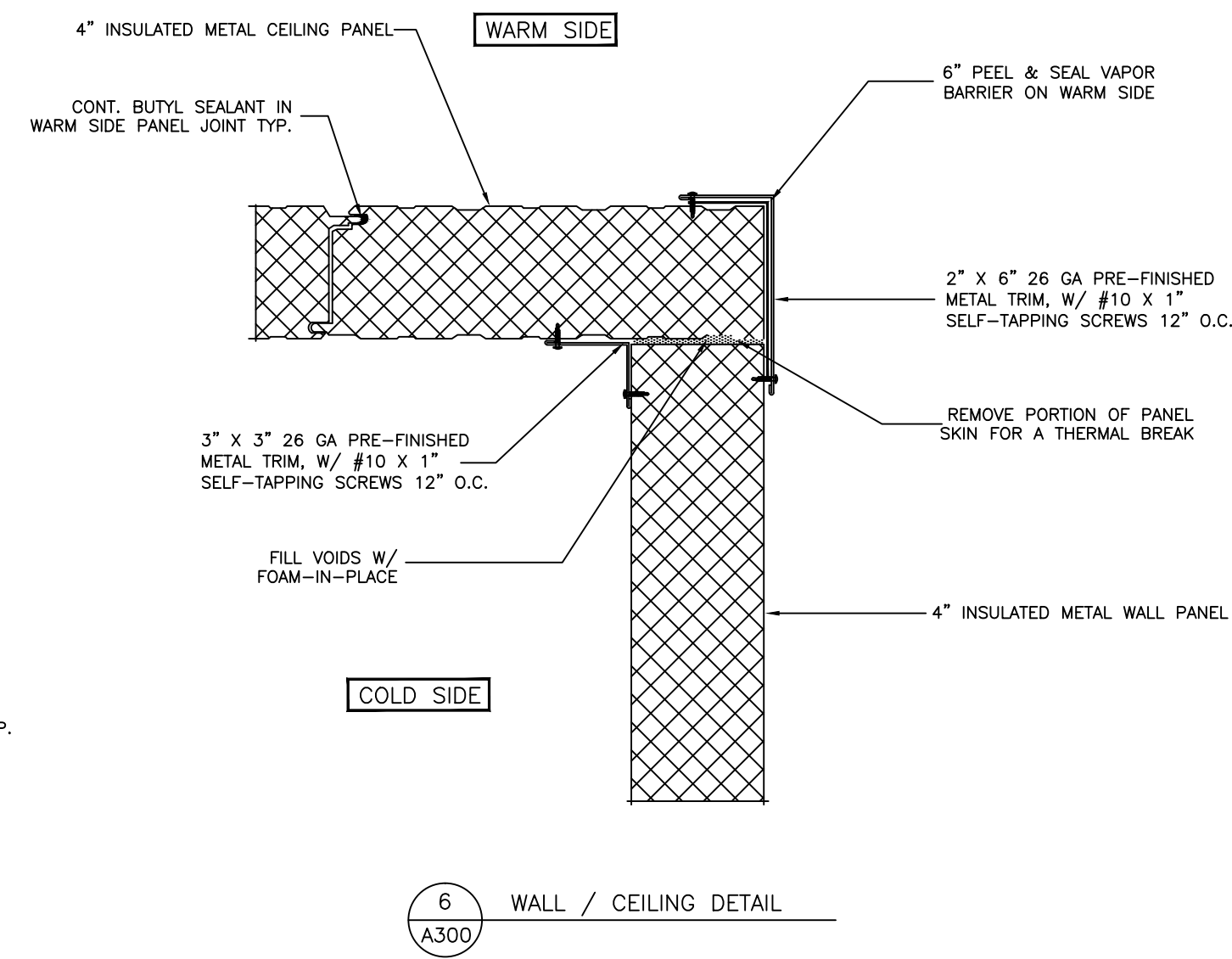
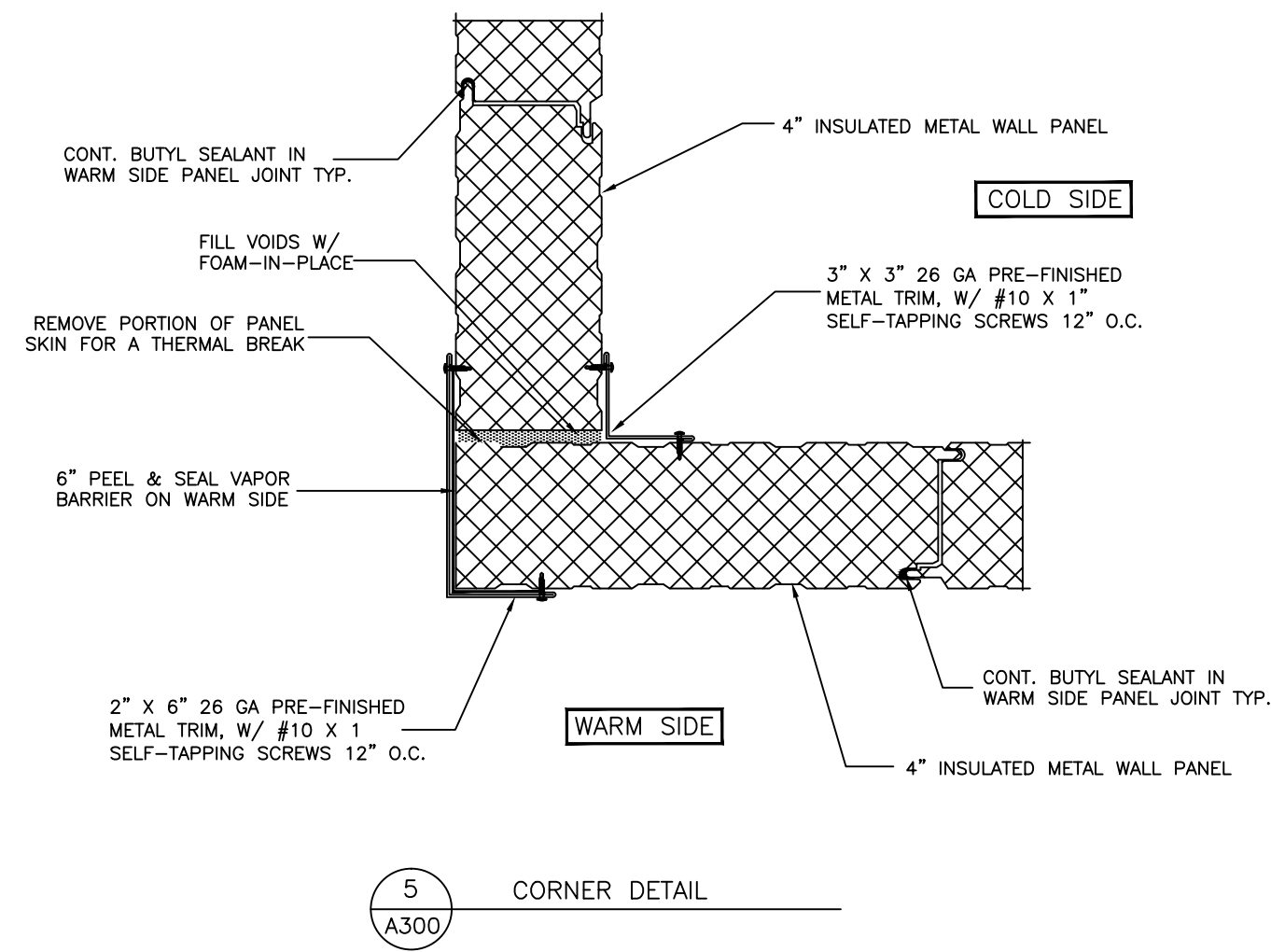
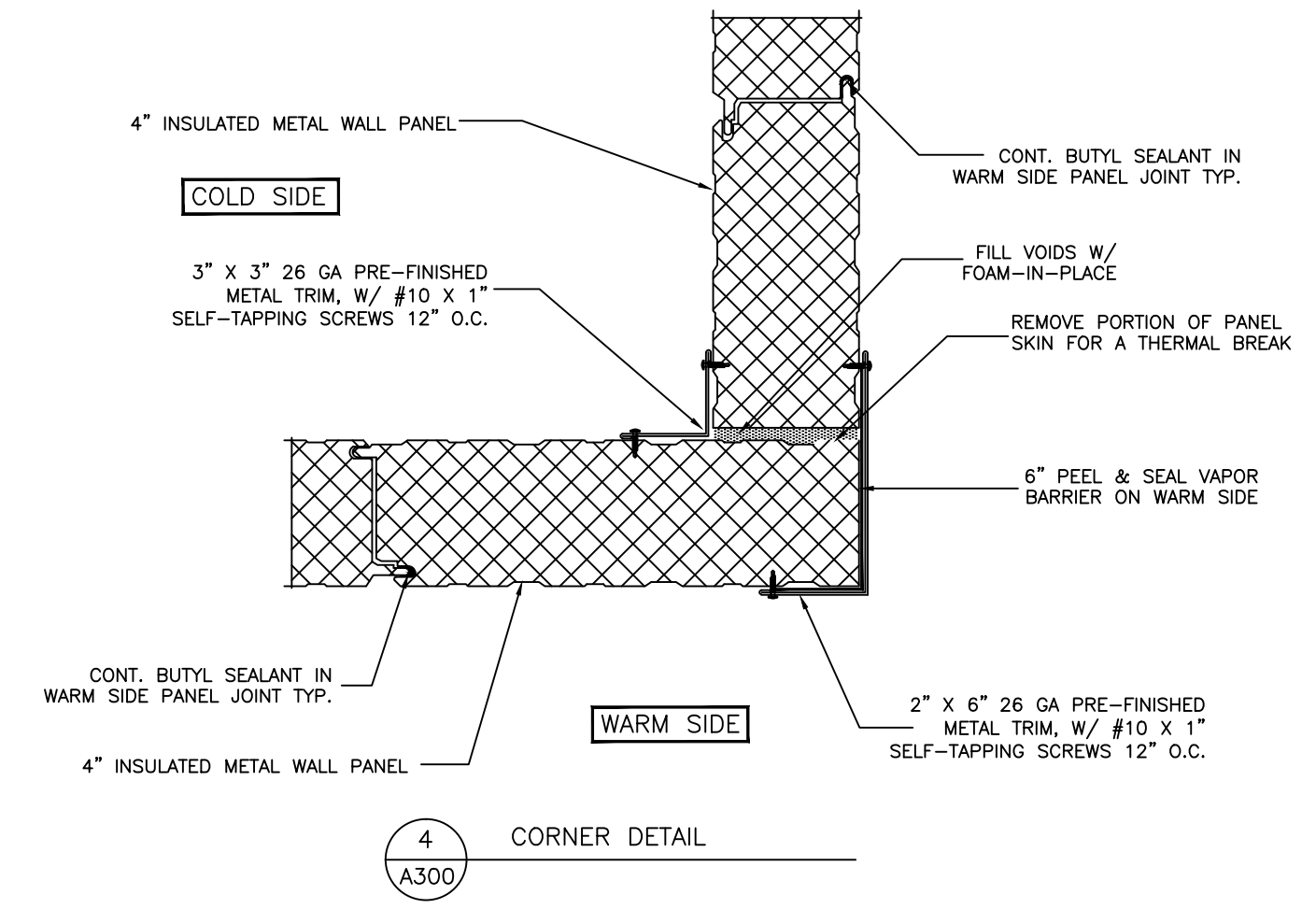
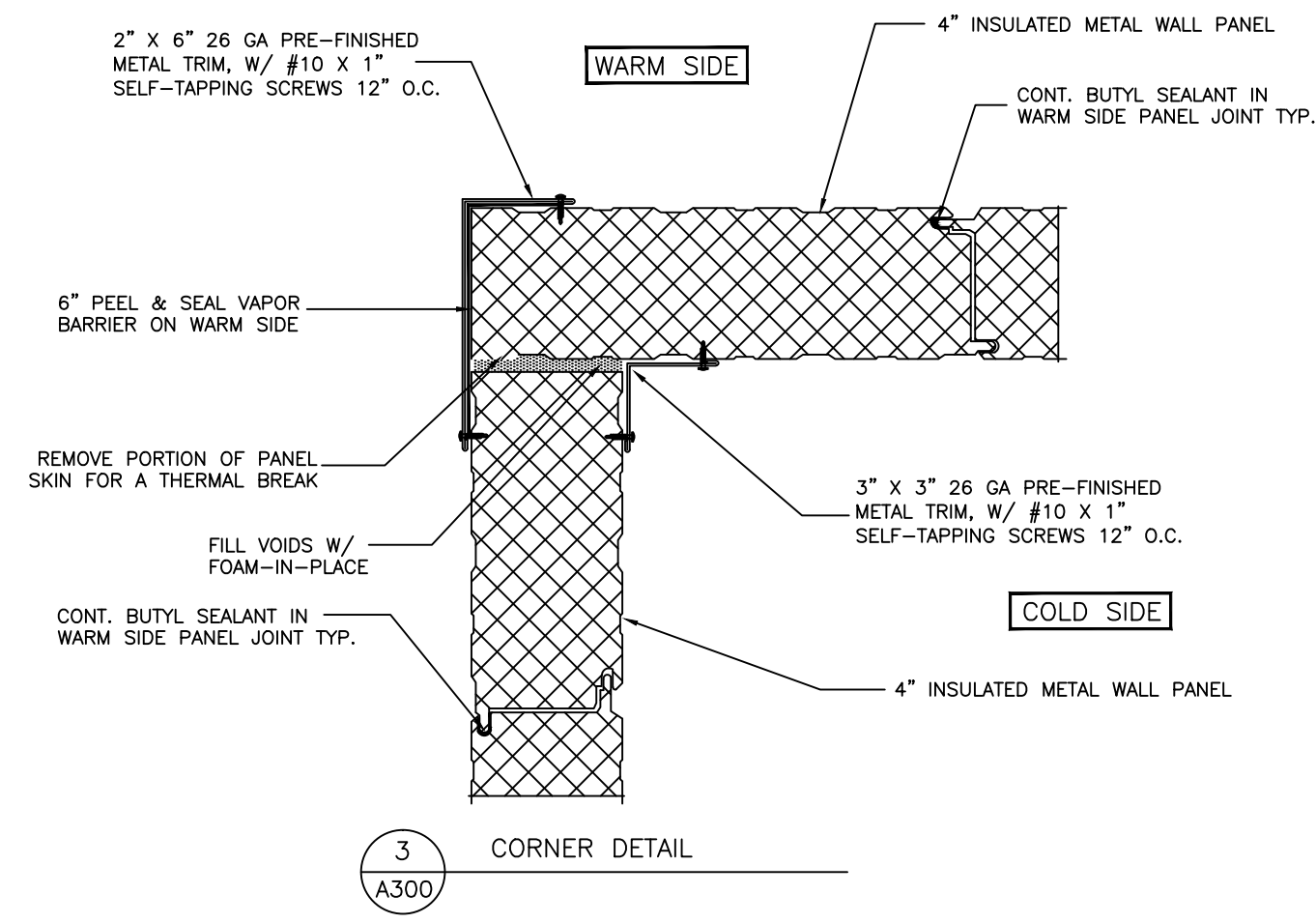
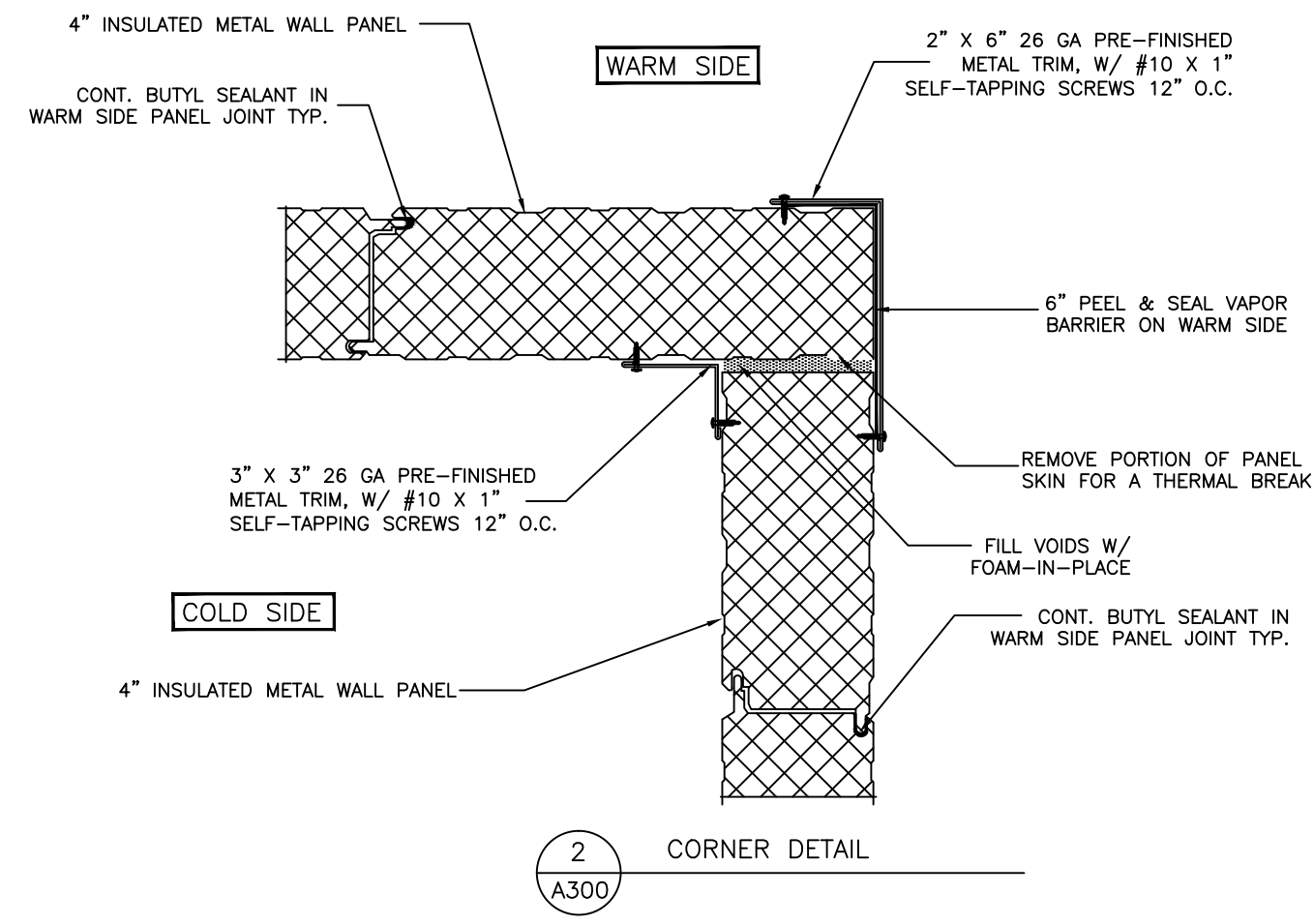
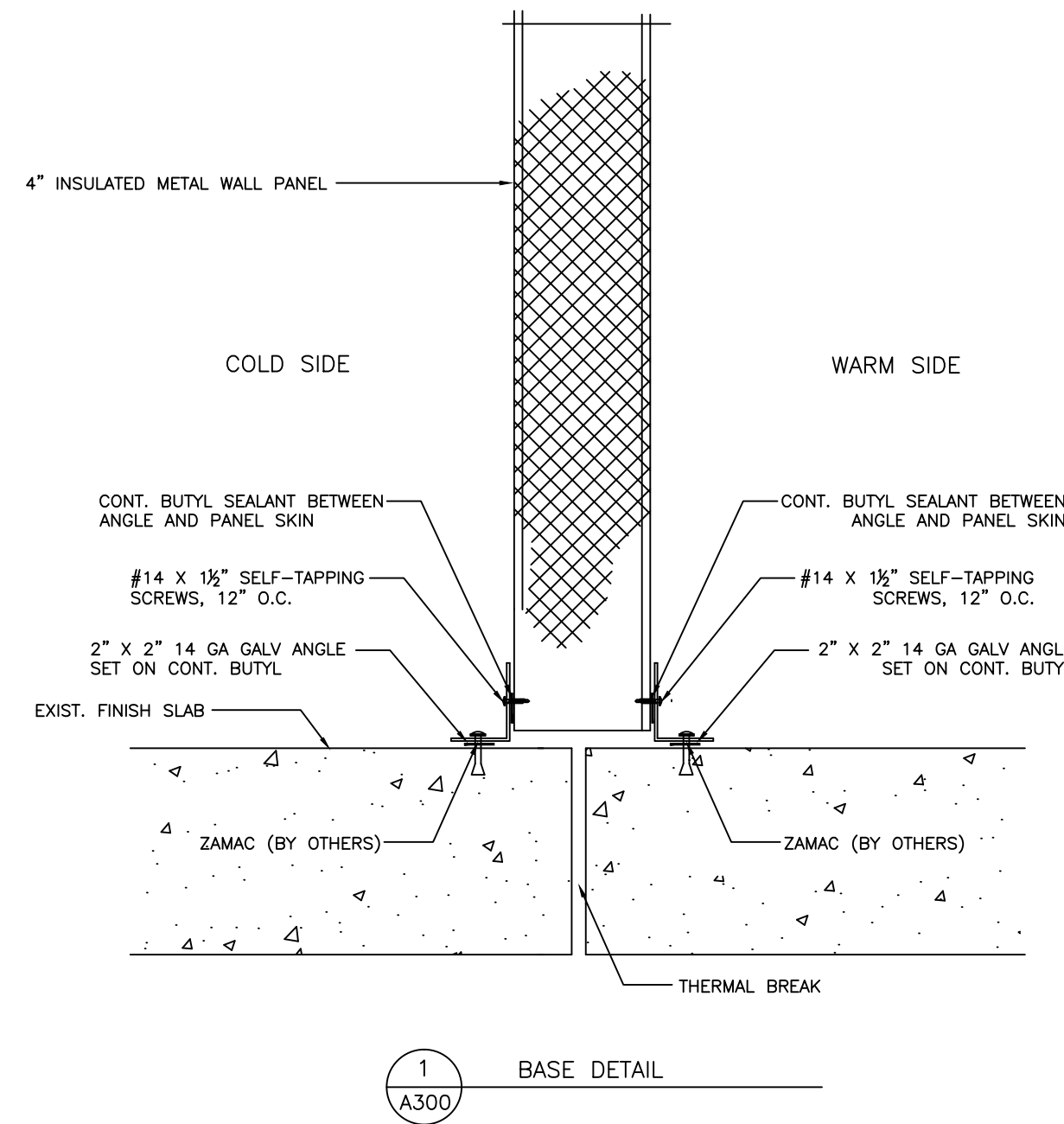
24' x 60' x 16'-4"
Drive-In Freezer

TOLERANCES UNLESS SPECIFIED
FRACTIONAL: XX ± 1/32" .XXX ± .005 .XXXX ± .001
DECIMAL: .XX ± .015 .XXX ± .005 .XXXX ± .001
ANGLE: X° ± 0°30' XX' ± 0°05'

Draftsman is not responsible for panel heights, quantities and/or dimensions. Contractor to verify all information.

WALL ELEVATIONS

DR. BY: KRZ
DATE: 8/30/2016
SCALE: NTS
CHECKED BY:
SHEET NO. A200



NO.	REVISION	DATE	BY

Barr Inc.
 1423 Planeview Drive
 Oshkosh, WI 54904
 920-231-1711 Phone

24' x 60' x 16'-4"
 Drive-In Freezer

TOLERANCES UNLESS SPECIFIED
 FRACTIONAL DECIMAL ANGLE
 X/X" ± 1/32" .XX ± .015 X° ± 0'30"
 .XXX ± .005 XXX' ± 0'05"
 .XXXX ± .001 .XXXX ± .001

Draftsman is not responsible for panel heights, quantities and/or dimensions. Contractor to verify all information.

WALL DETAILS

DR. BY: KRZ
 DATE: 8/30/2016
 SCALE: NTS
 CHECKED BY:
 SHEET NO. A300