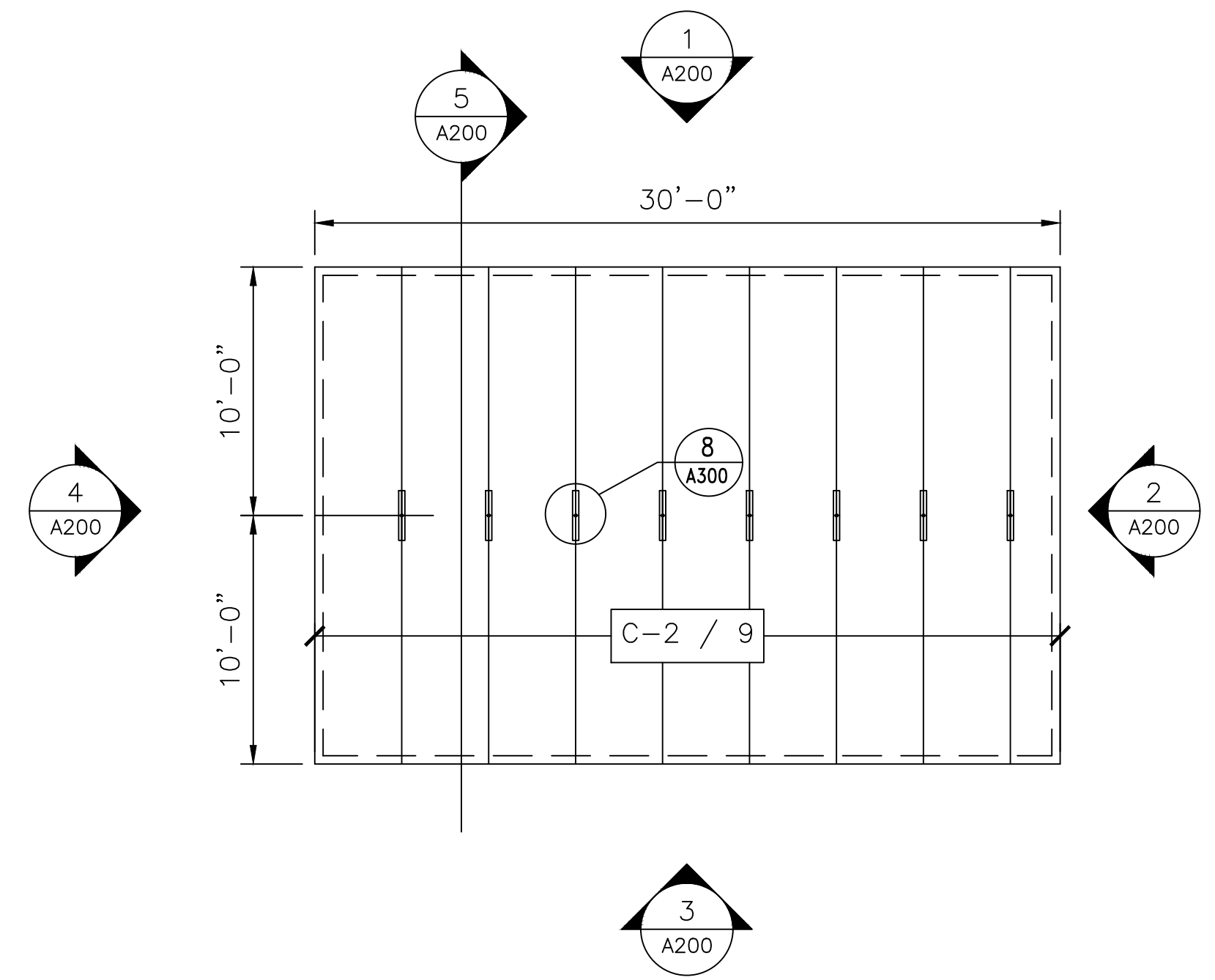


1 FLOOR PLAN
A100 SCALE: N.T.S.



2 CEILING PLAN
A100 SCALE: N.T.S.

PANEL SCHEDULE

PANEL DESIG.	PANEL HEIGHT	QTY OF PANELS	PANEL THICK	PANEL SERIES	PANEL COLOR
W-1	20'-0"	30	5"	MESALINE	USDA WHITE
C-2	20'-0"	9	5"	MESALINE	USDA WHITE

REVISION	BY	DATE

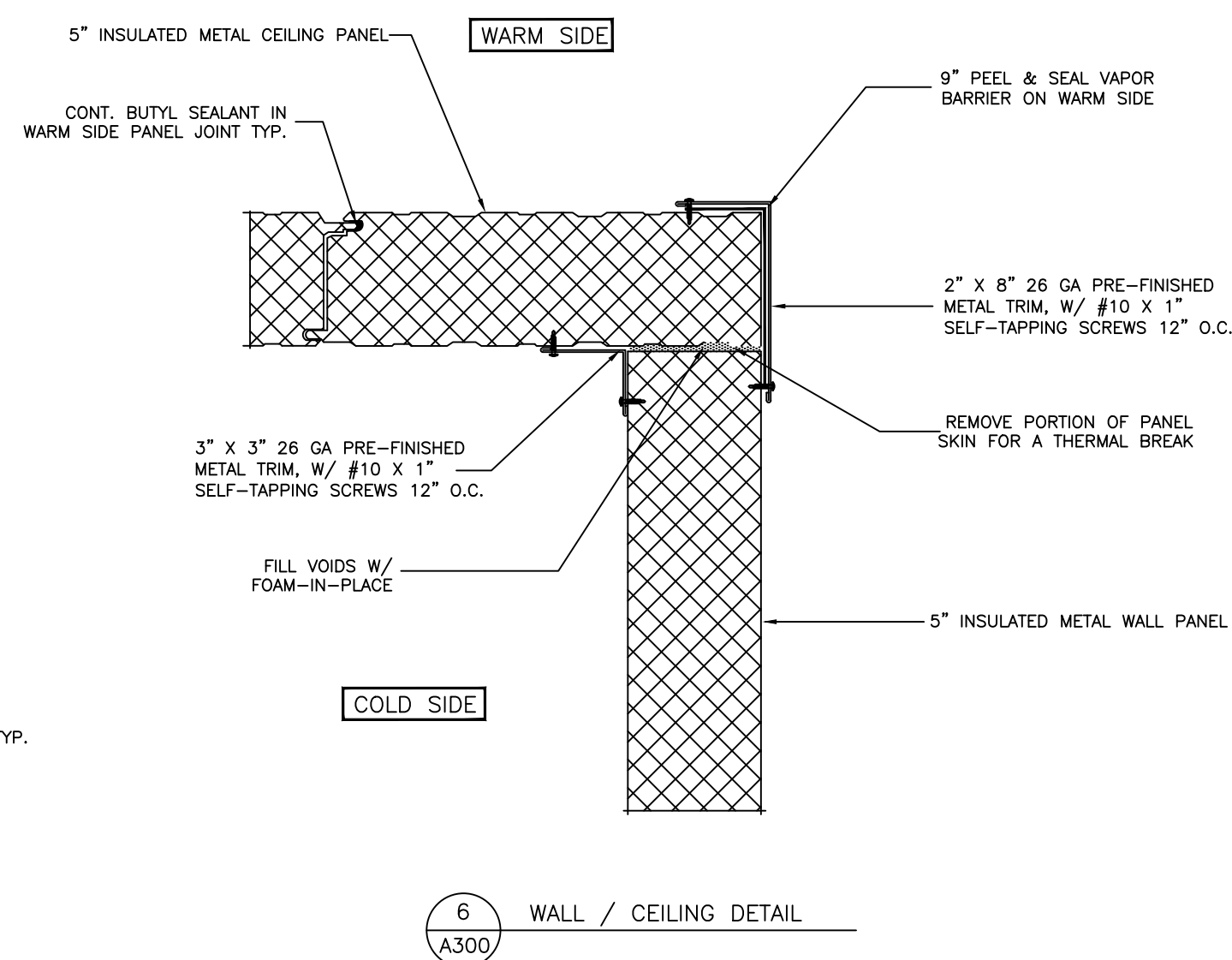
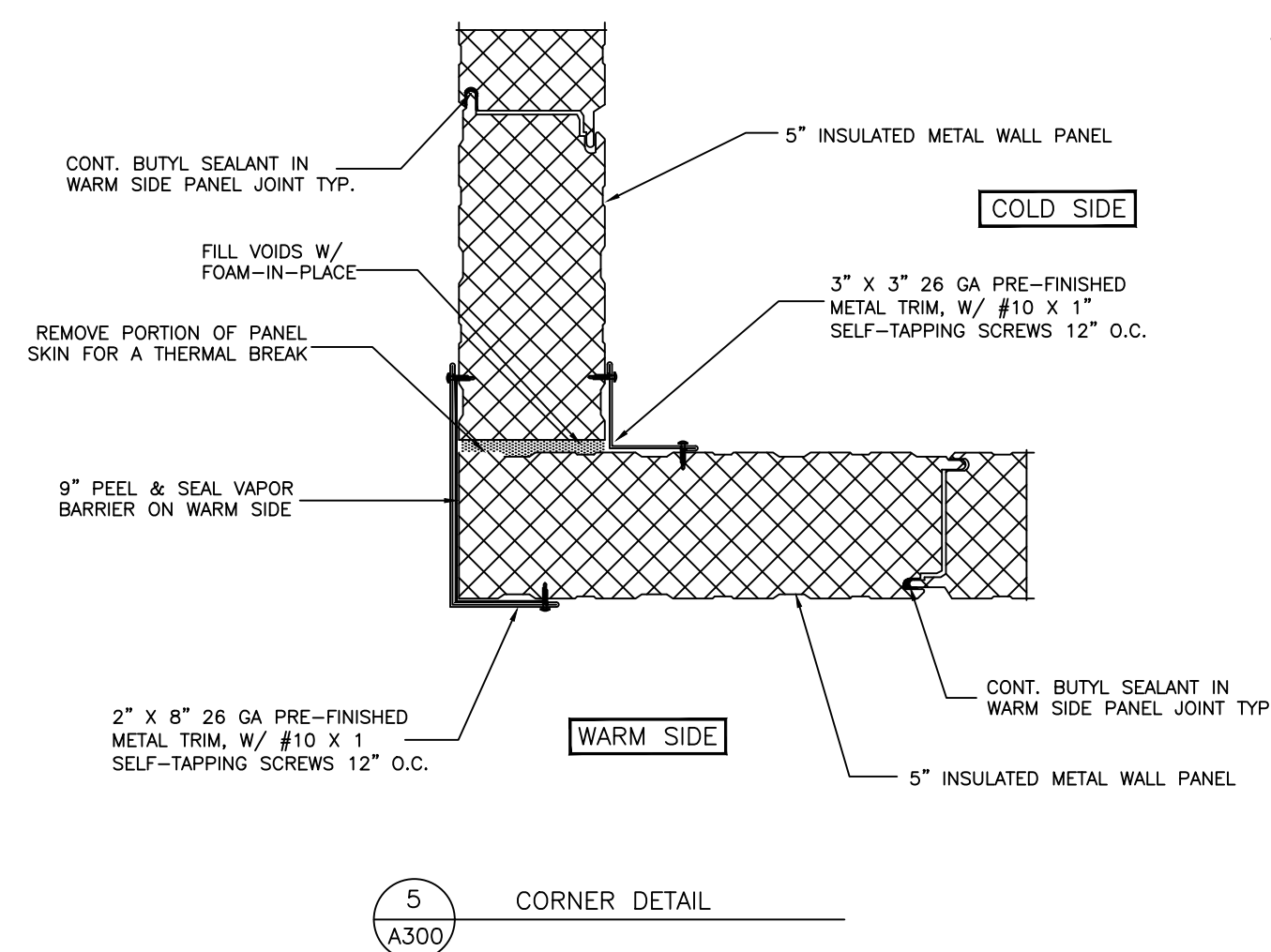
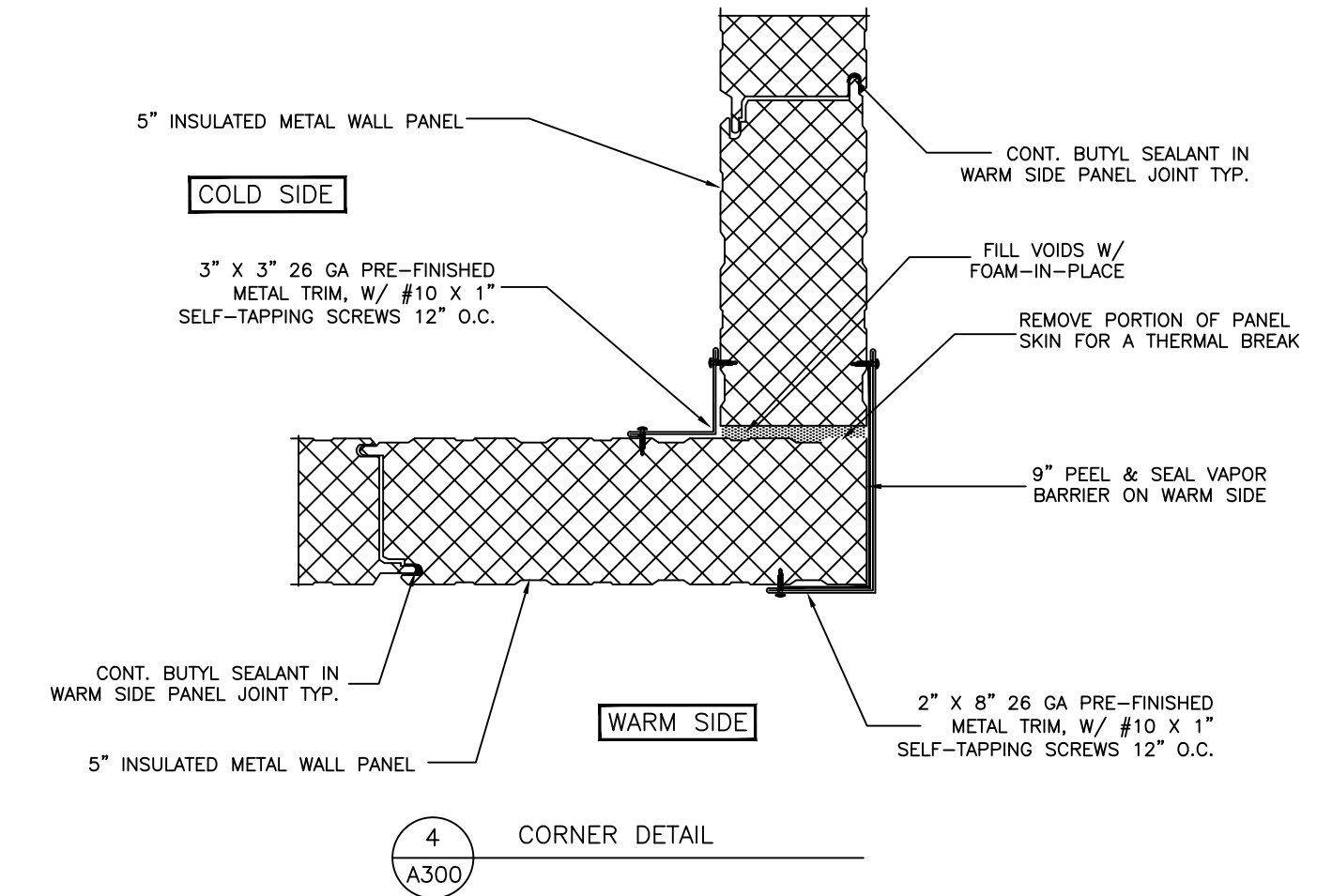
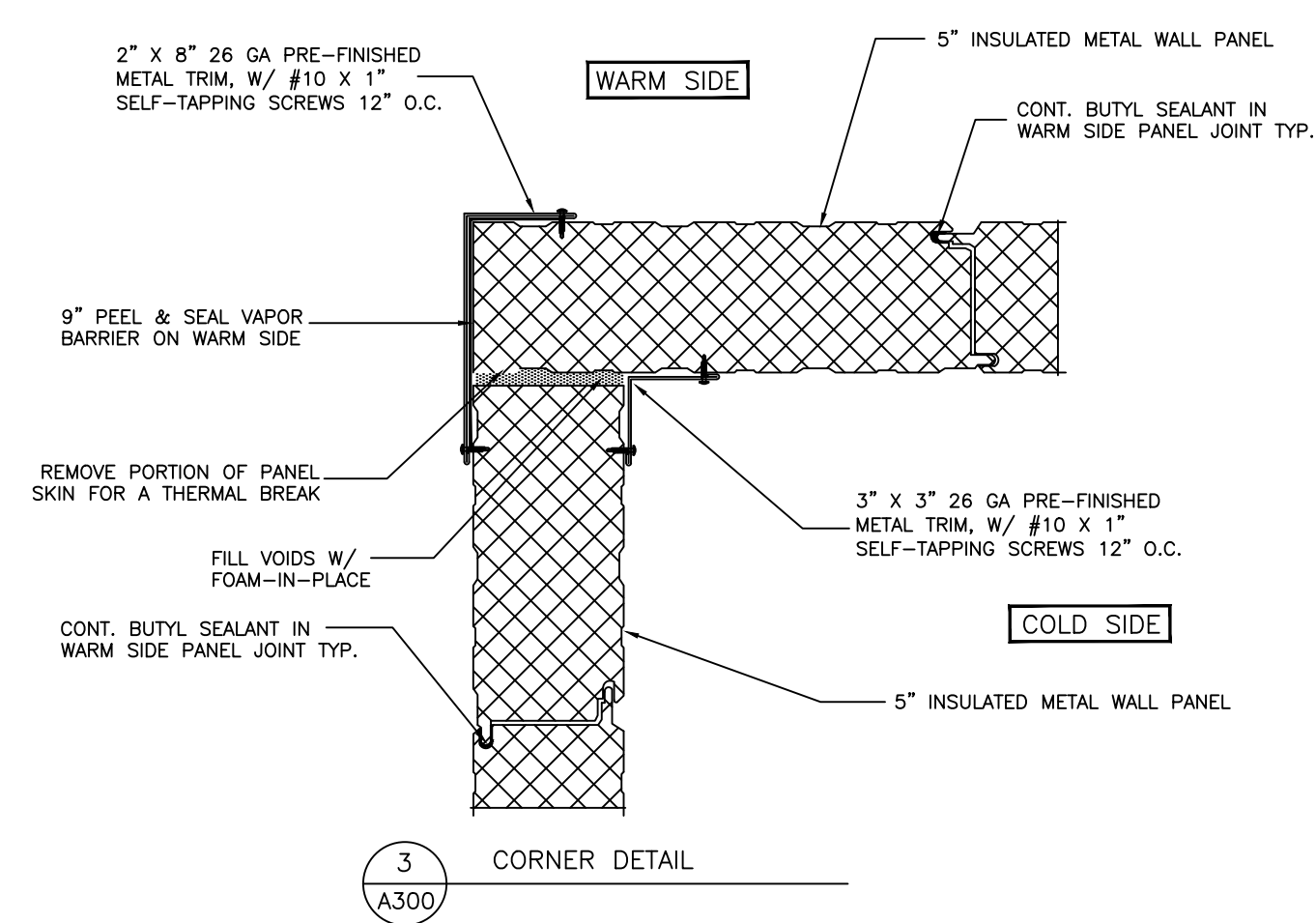
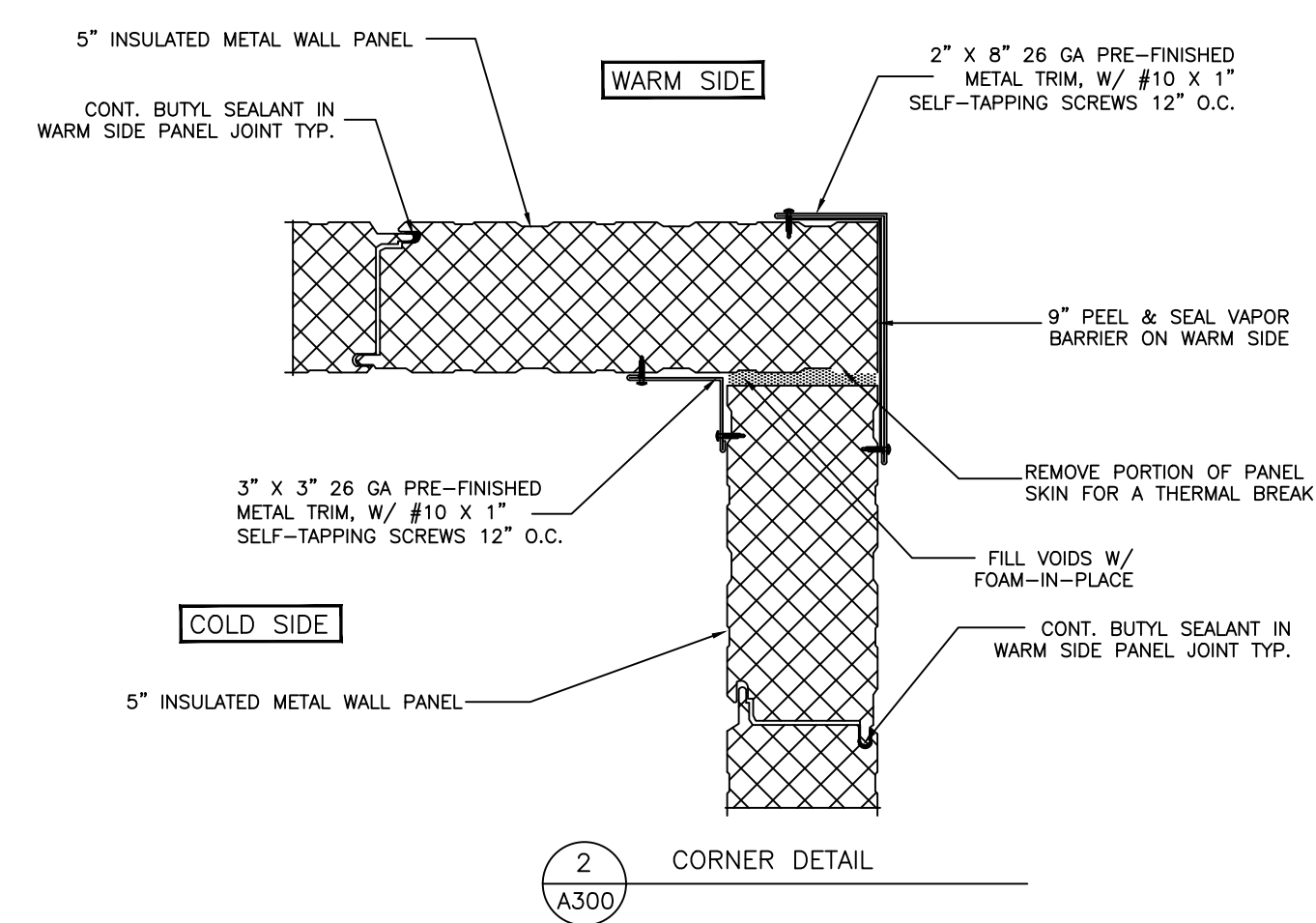
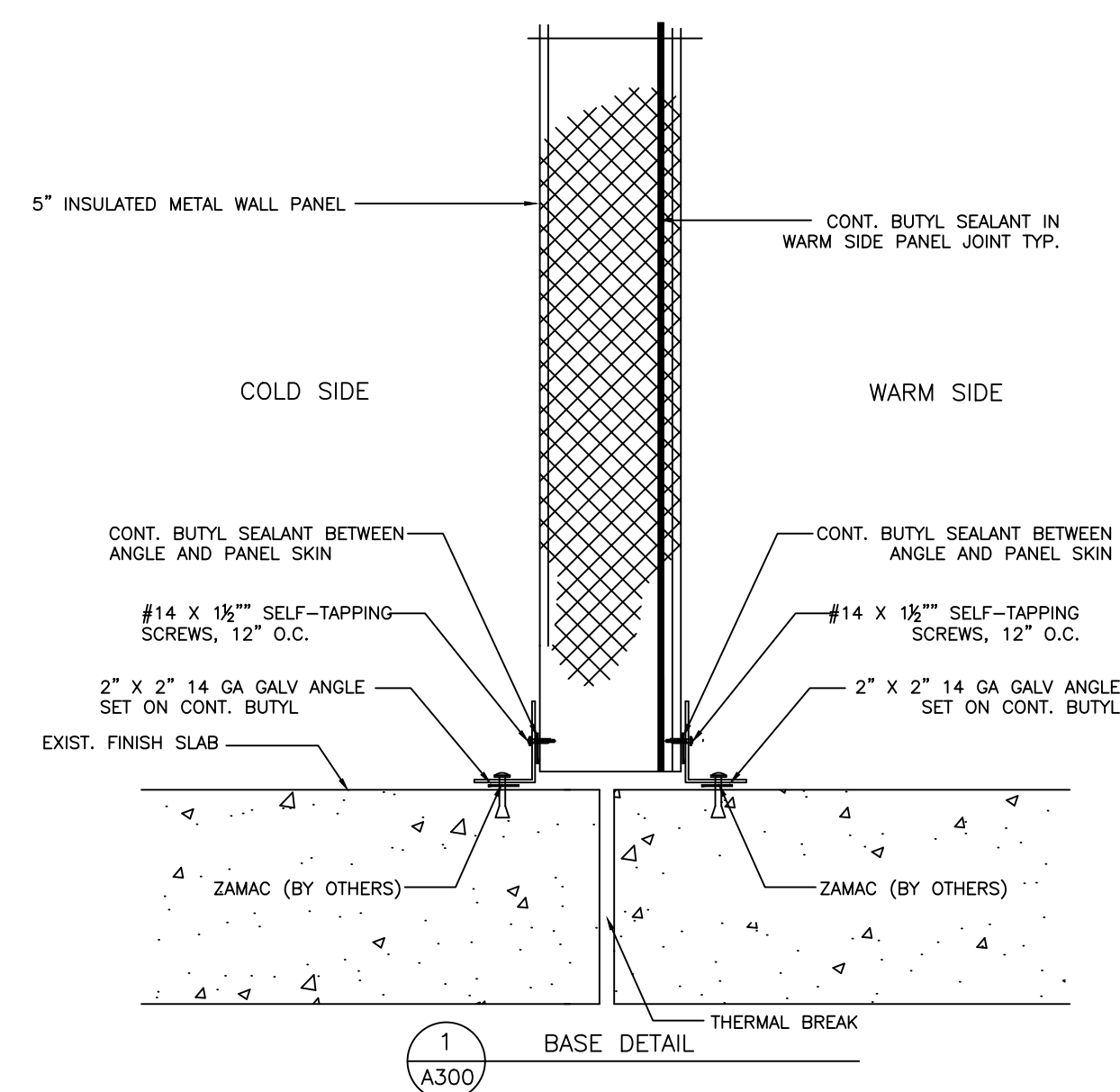
Barr Inc.
1423 Planeview Drive
Oshkosh, WI 54904
920-231-1711 Phone

20' x 30' x 20'-5"
Drive-In Freezer

TOLERANCES UNLESS SPECIFIED
FRACTIONAL X/8" ± 1/32"
DECIMAL .XX ± .015
XXX ± .005
ANGLE X' ± 0'30"
X'XX ± 0'05"
DRAFTSMAN IS NOT RESPONSIBLE FOR PANEL HEIGHTS, VERIFY ALL DIMENSIONS. CONTRACTOR TO VERIFY ALL INFORMATION.

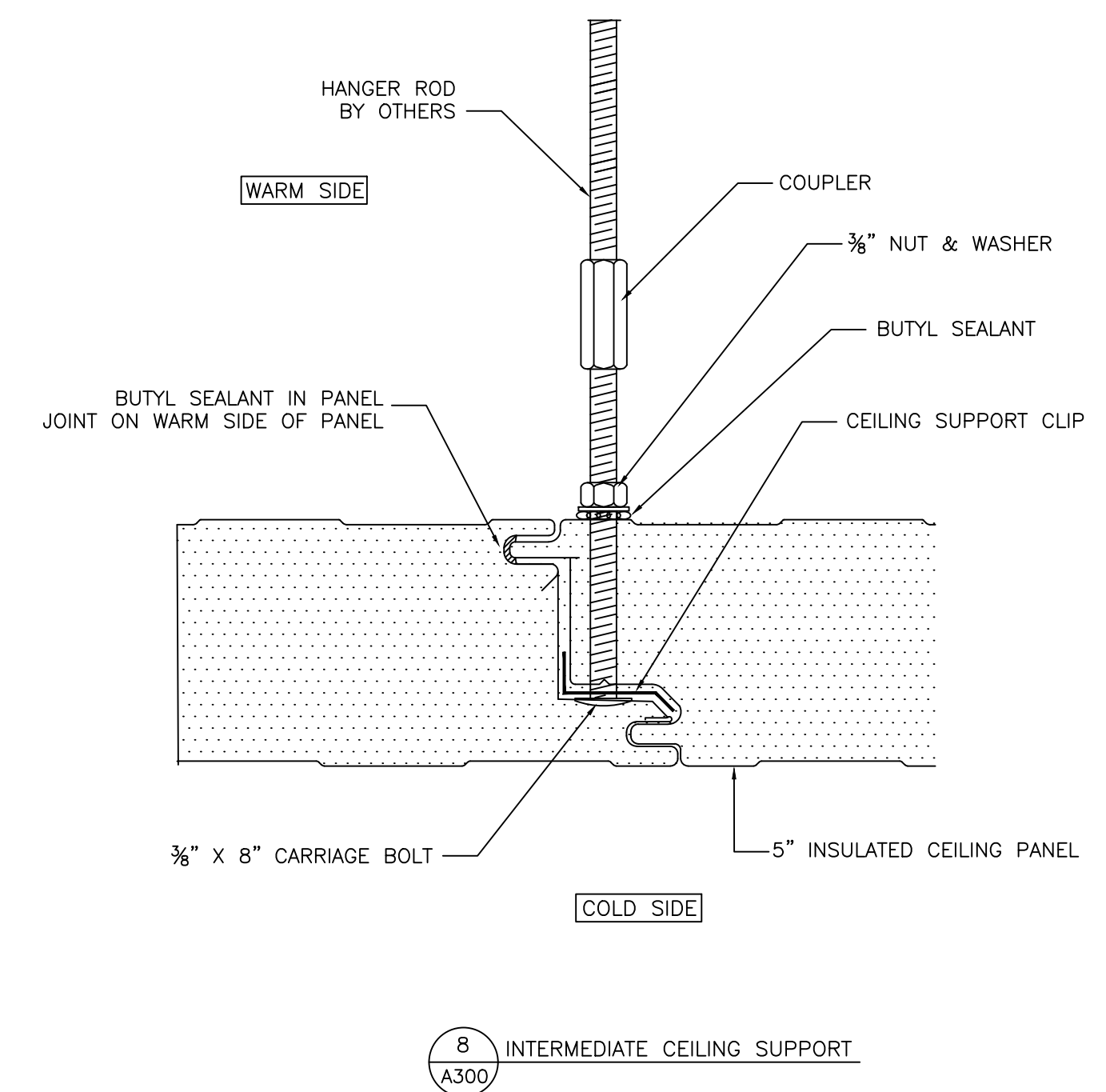
FLOOR PLAN

DR. BY: KRZ
DATE: 8/1/2023
SCALE: NTS
CHECKED BY:
SHEET NO. A100



7 NOT USED

A300



NO.	REVISION	DATE	BY

Barr Inc.
1423 Planeview Drive
Oshkosh, WI 54904
920-231-1711 Phone

20' x 30' x 20'-5"
Drive-In Freezer

TOLERANCES UNLESS SPECIFIED

FRACTIONAL	DECIMAL	ANGLE
X/X" ± 1/32"	.XX ± .015	X° ± 0'30"
	.XXX ± .005	X'XX' ± 0'05"
	.XXXX ± .001	

Draftsman is not responsible for panel heights, wall panel dimensions. Contractor to verify all information.

WALL DETAILS

DR. BY: KRZ
DATE: 8/1/2023
SCALE: NTS
CHECKED BY:
SHEET NO. A300