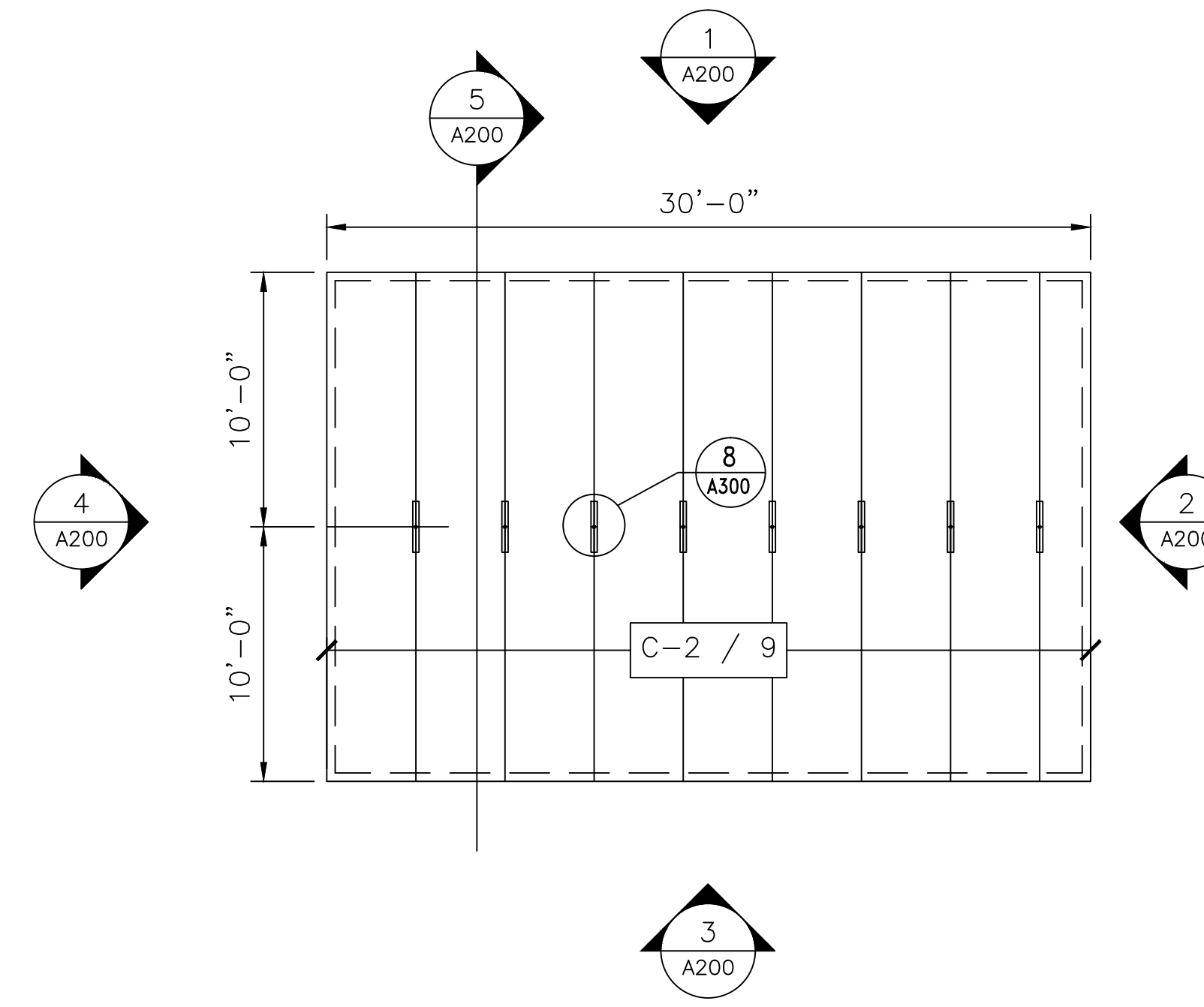


1 FLOOR PLAN
A100 SCALE: N.T.S.



2 CEILING PLAN
A100 SCALE: N.T.S.

PANEL SCHEDULE

PANEL DESIG.	PANEL HEIGHT	QTY OF PANELS	PANEL THICK	PANEL SERIES	PANEL COLOR
W-1	20'-0"	30	4"	MESALINE	USDA WHITE
C-2	20'-0"	9	4"	MESALINE	USDA WHITE

Barr Inc.
1423 Planeview Drive
Oshkosh, WI 54904
920-231-1711 Phone

20' x 30' x 20'-4"
Drive-In Cooler

TOLERANCES UNLESS SPECIFIED
FRACTIONAL DECIMAL .015 X' ± 0'30"
X/X" ± 1/32" .XXX ± .005 X'X' ± 0'05"
.XXXX ± .001

Draftsman is not responsible for panel heights, quantities and/or dimensions. Contractor to verify all information.

FLOOR PLAN

DR.BY: KRZ

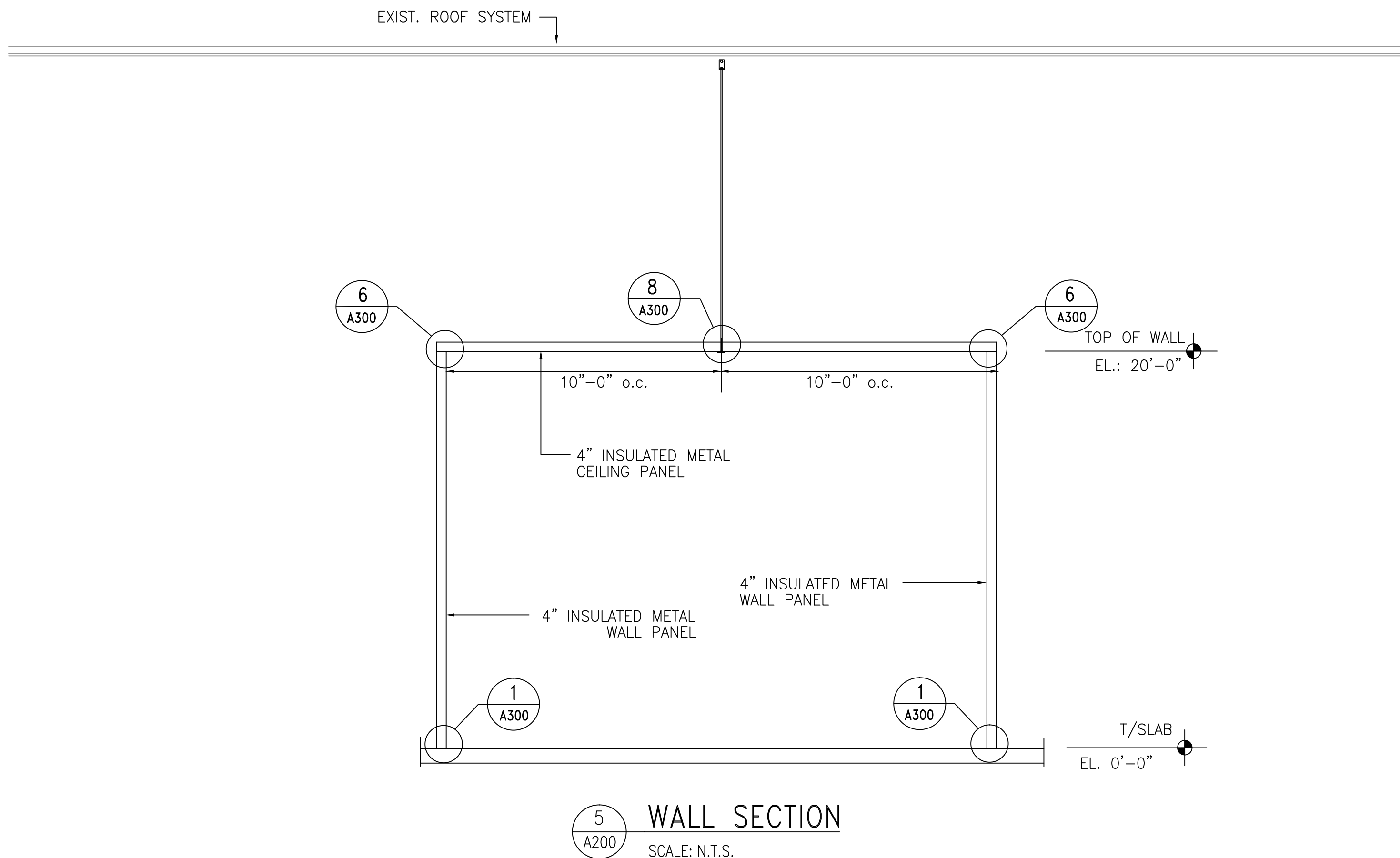
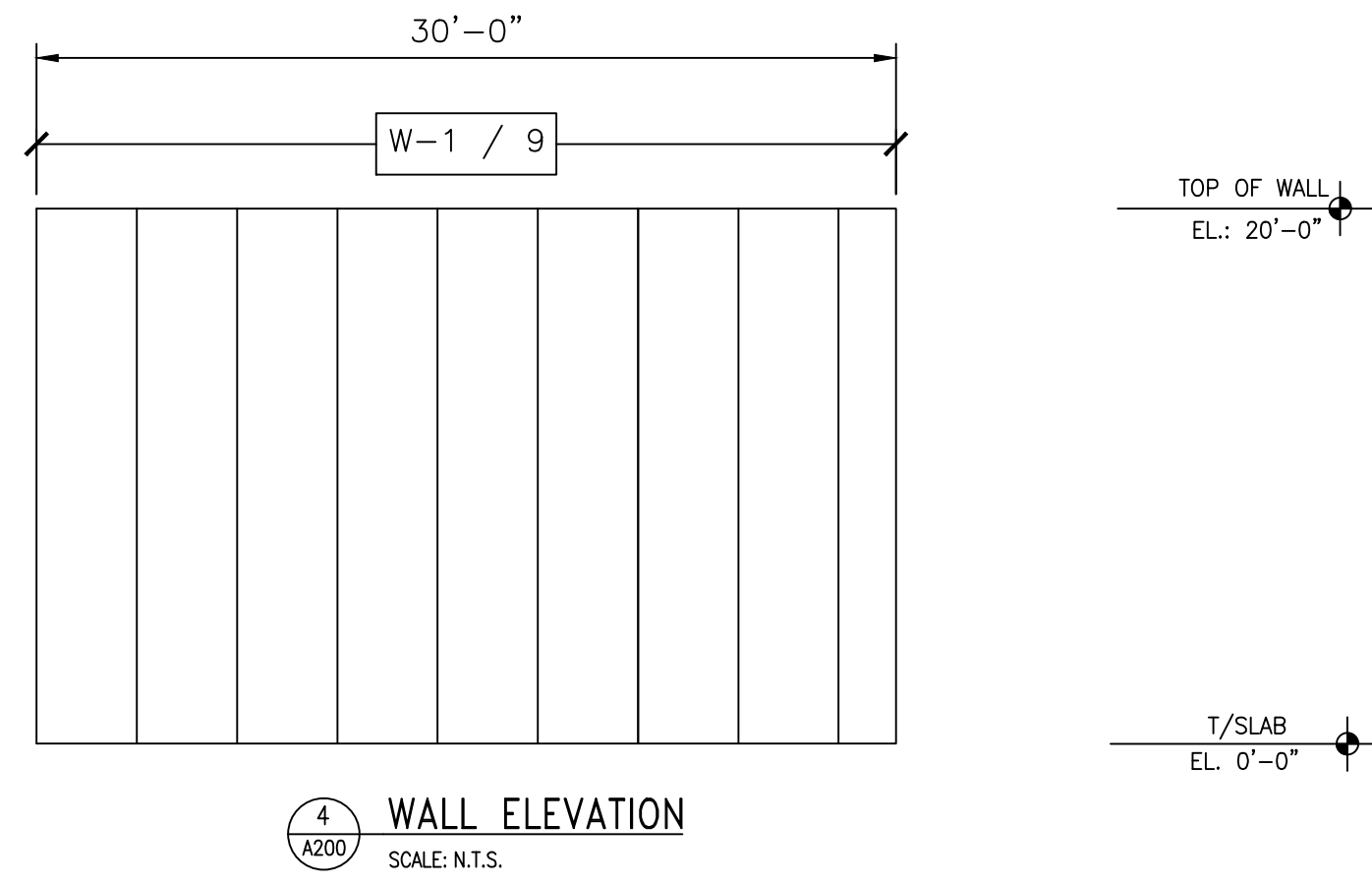
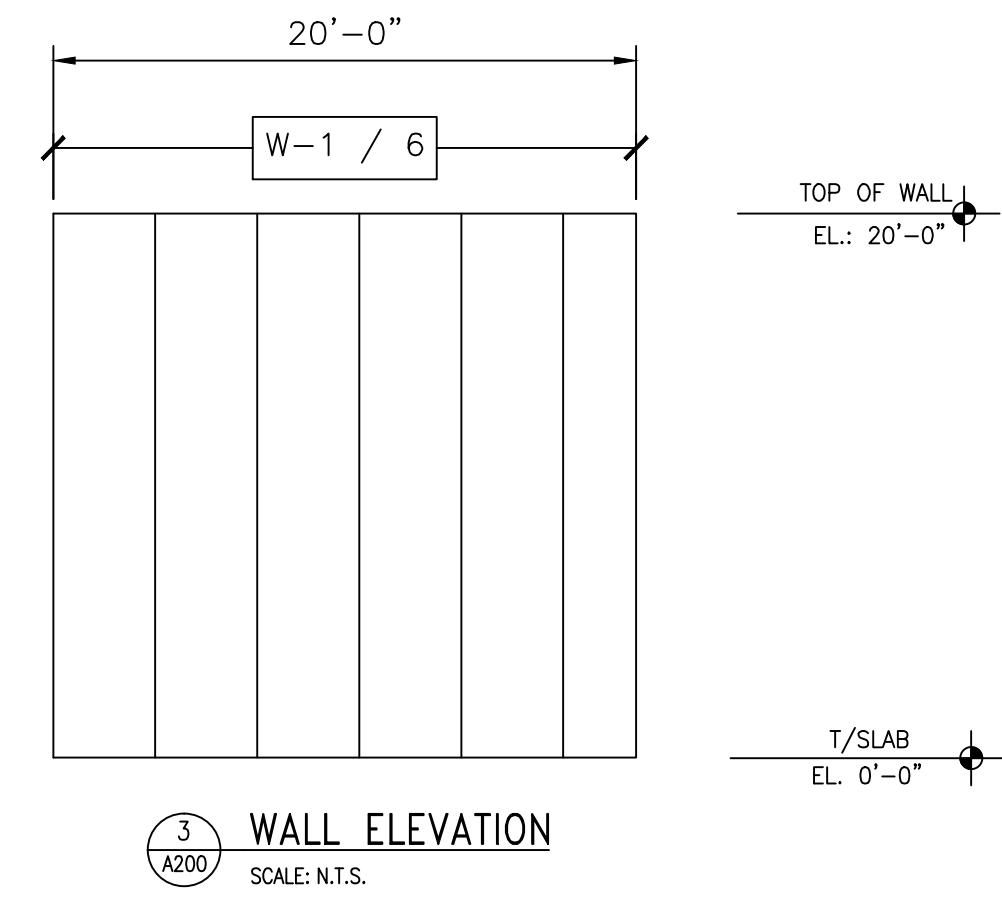
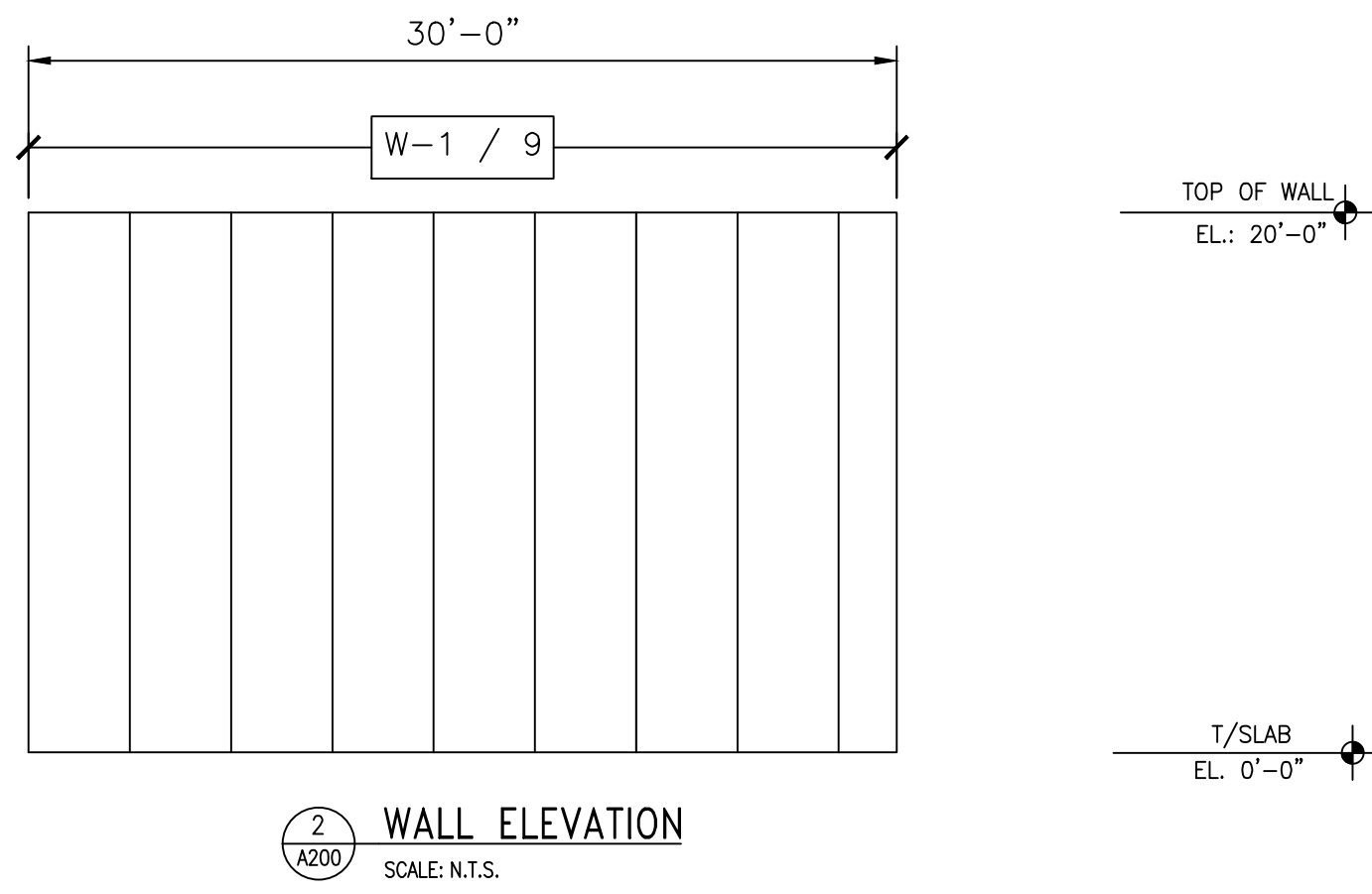
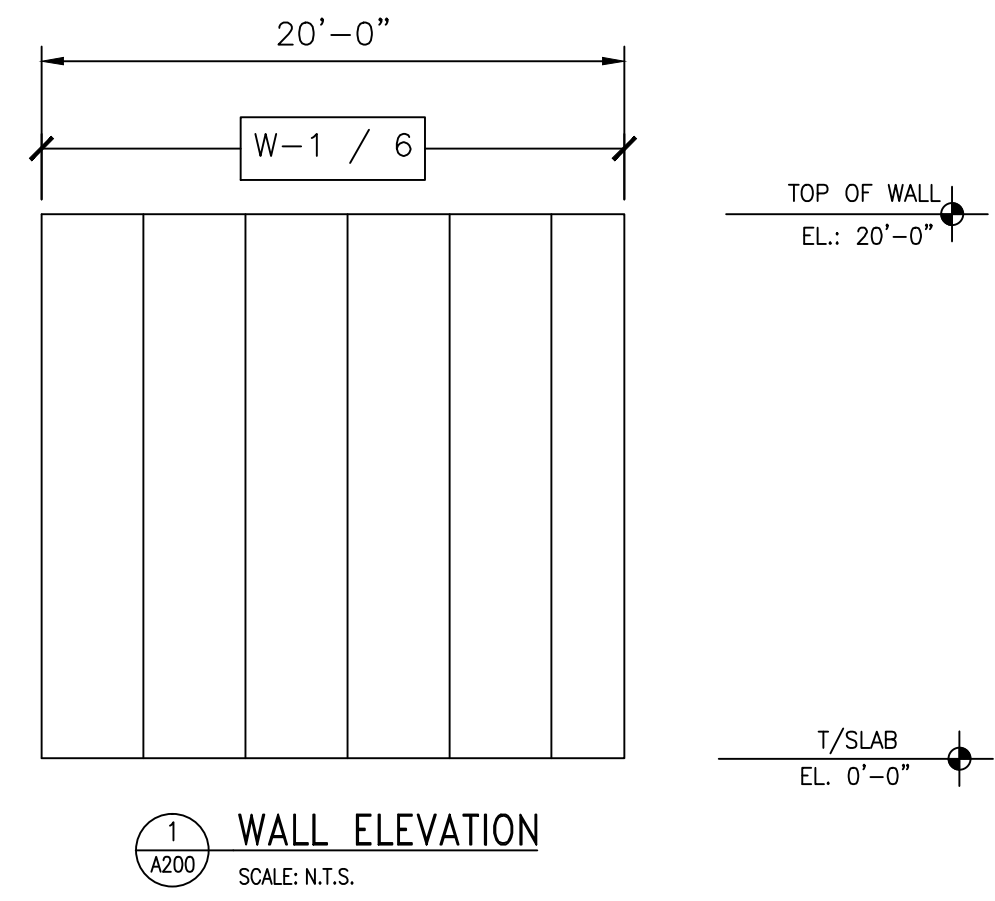
DATE: 8/30/2016

SCALE: NTS

CHECKED BY:

SHEET NO.
A100

REVISION BY DATE



PANEL SCHEDULE

PANEL DESIG.	PANEL HEIGHT	QTY. OF PANELS	PANEL THICK	PANEL SERIES	PANEL COLOR
W-1	20'-0"	30	4"	MESALINE	USDA WHITE
C-2	20'-0"	9	4"	MESALINE	USDA WHITE

REVISION	BY	DATE

Barr Inc.
1423 Planeview Drive
Oshkosh, WI 54904
920-231-1711 Phone

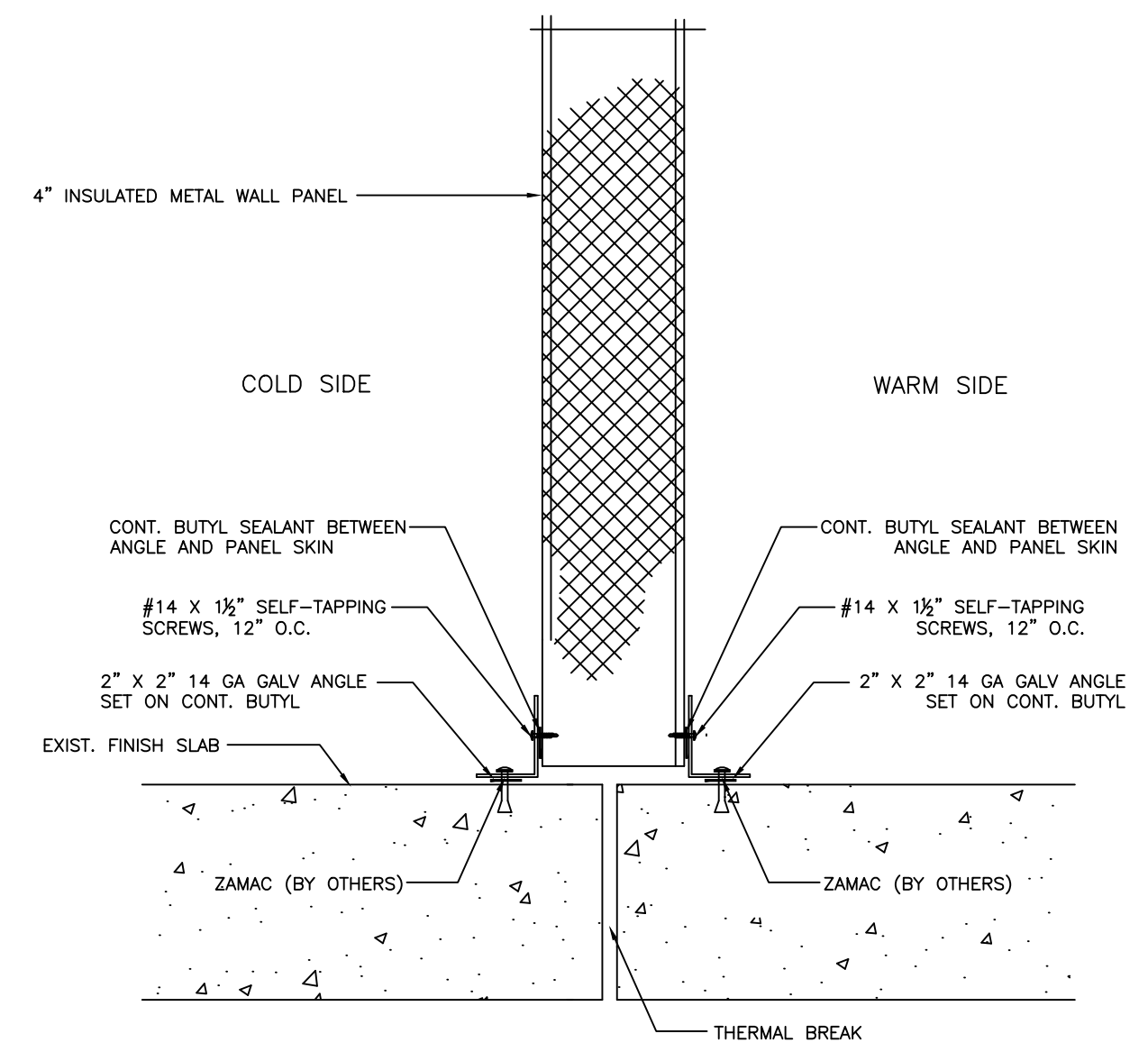
20' x 30' x 20'-4"
Drive-In Cooler

TOLERANCES UNLESS SPECIFIED
FRACTIONAL DECIMAL .015 X' ± 0'30"
X'X' ± 1/32" .XXX ± .005 X'X' ± 0'05"
.XXXX ± .001

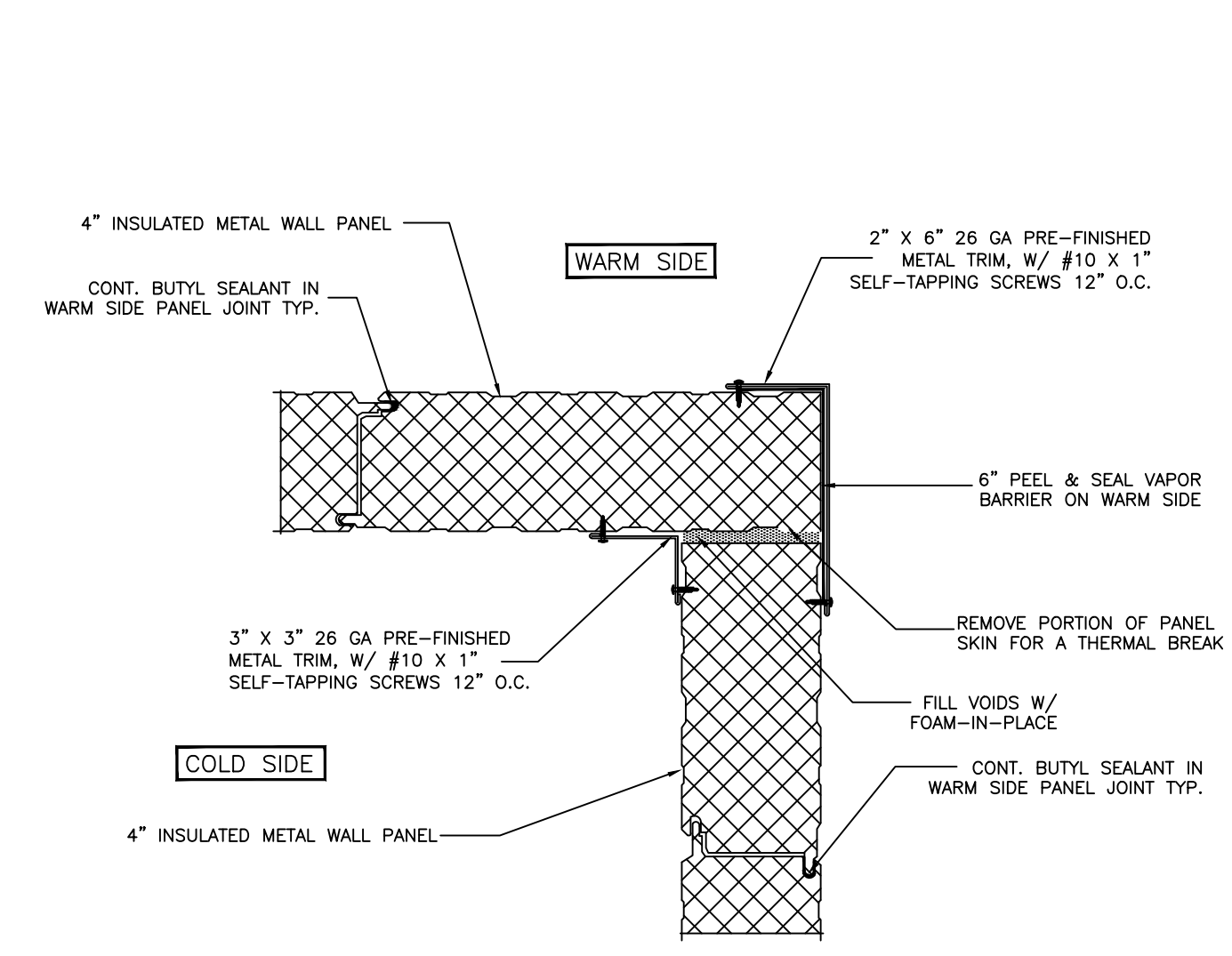
Draftsman is not responsible for panel heights, quantities and/or dimensions. Contractor to verify all information.

WALL ELEVATIONS

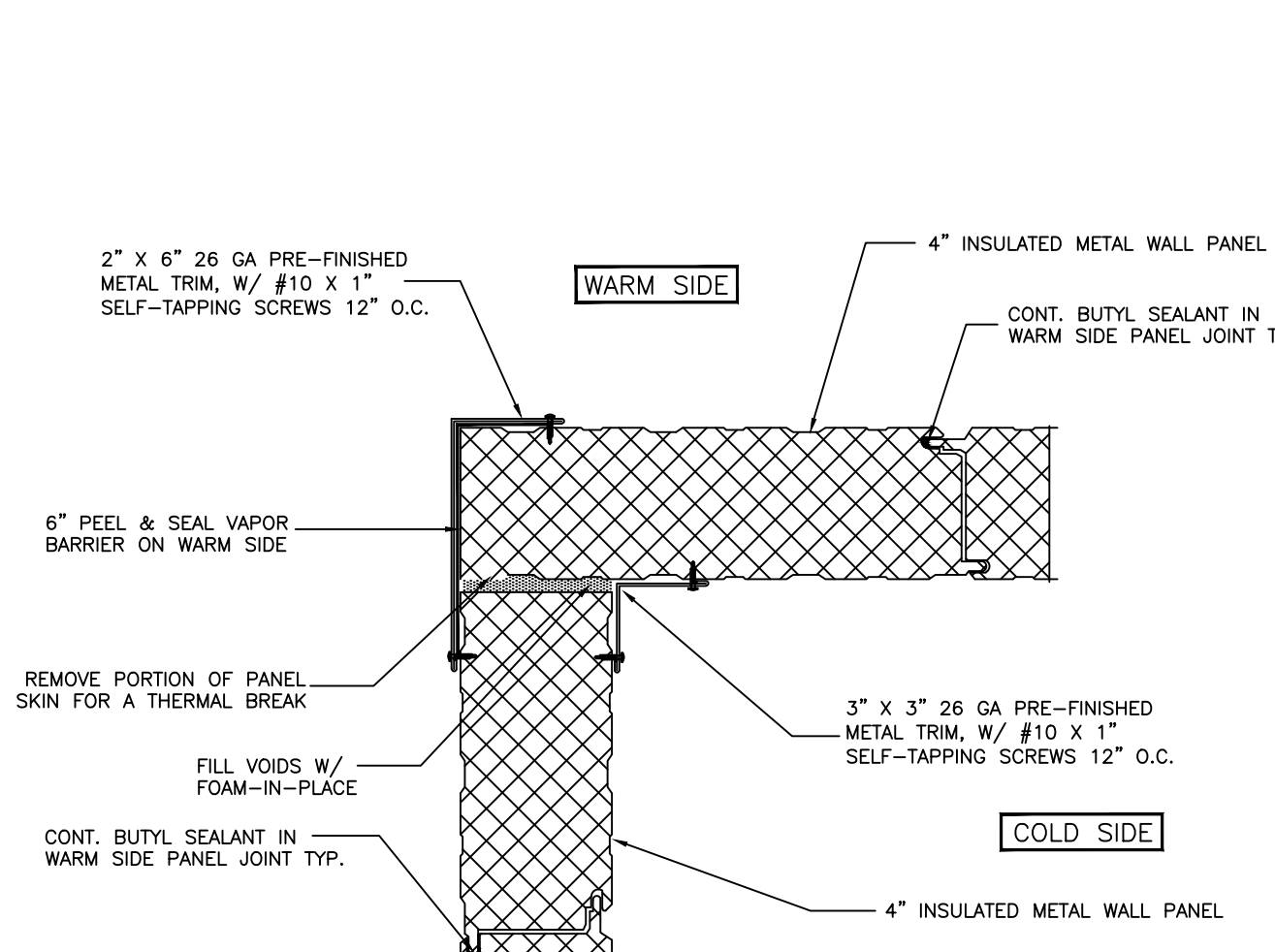
DR. BY: KRZ
DATE: 8/30/2016
SCALE: NTS
CHECKED BY:
SHEET NO. A200



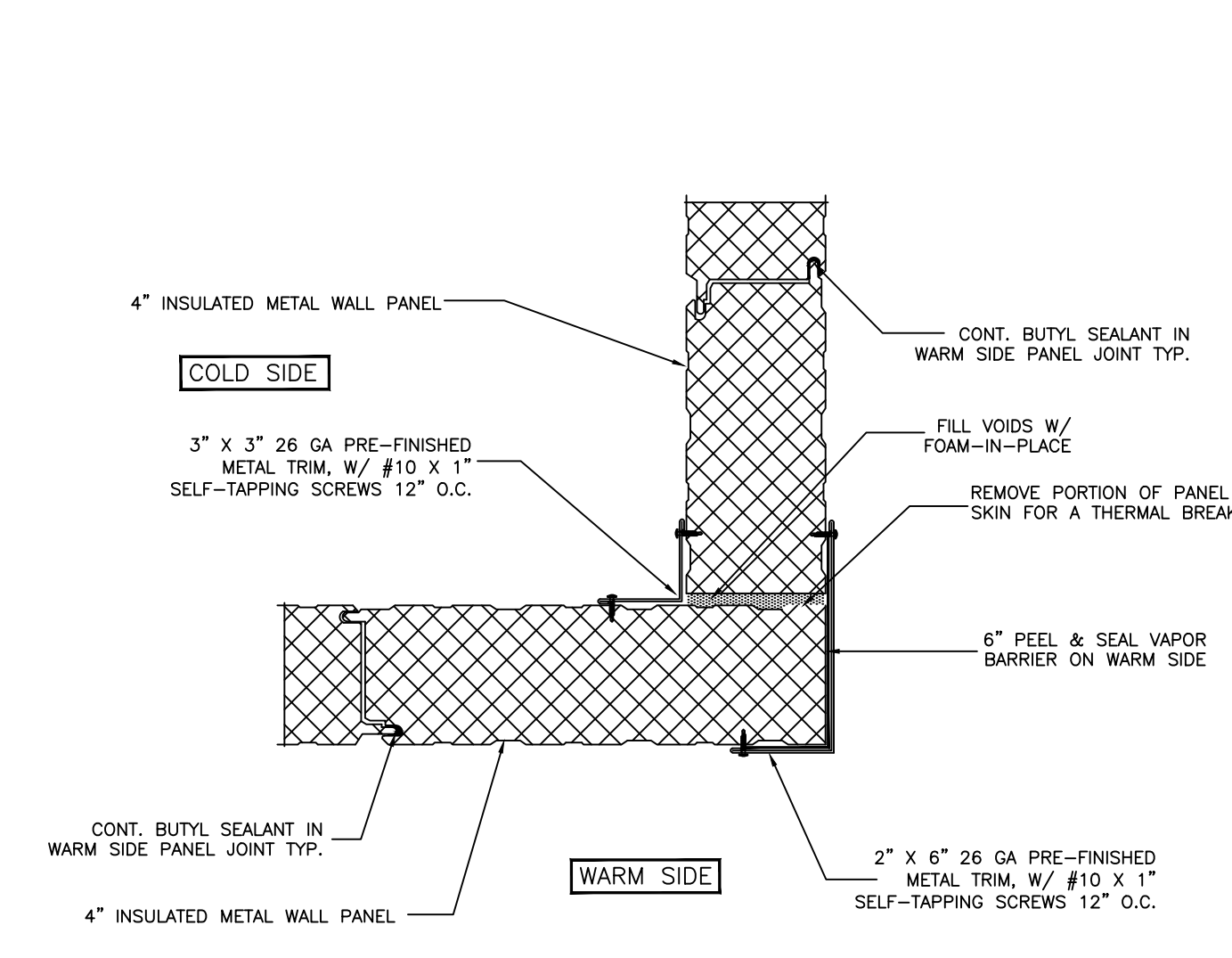
1 BASE DETAIL
A300



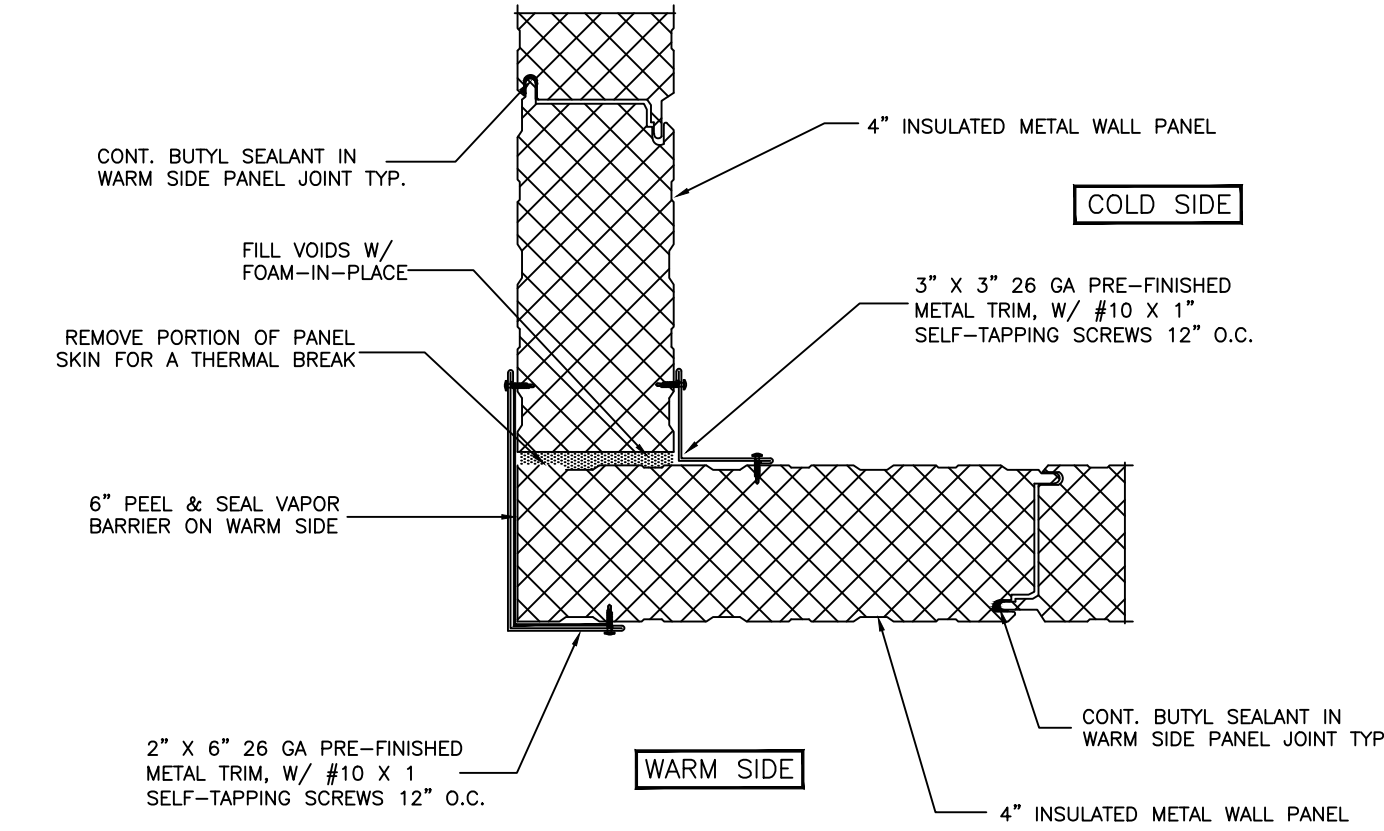
2 CORNER DETAIL
A300



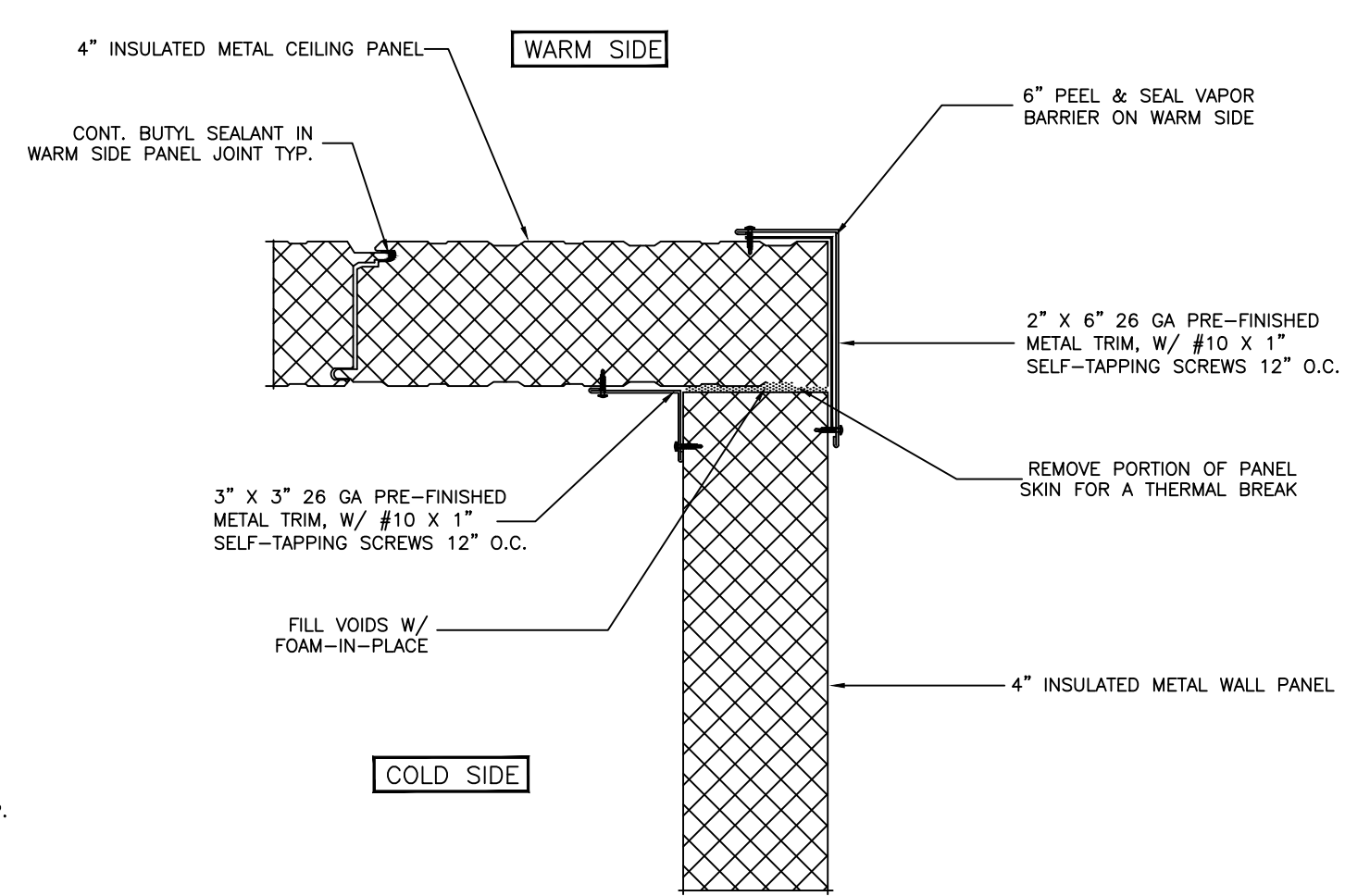
3 CORNER DETAIL
A300



4 CORNER DETAIL
A300

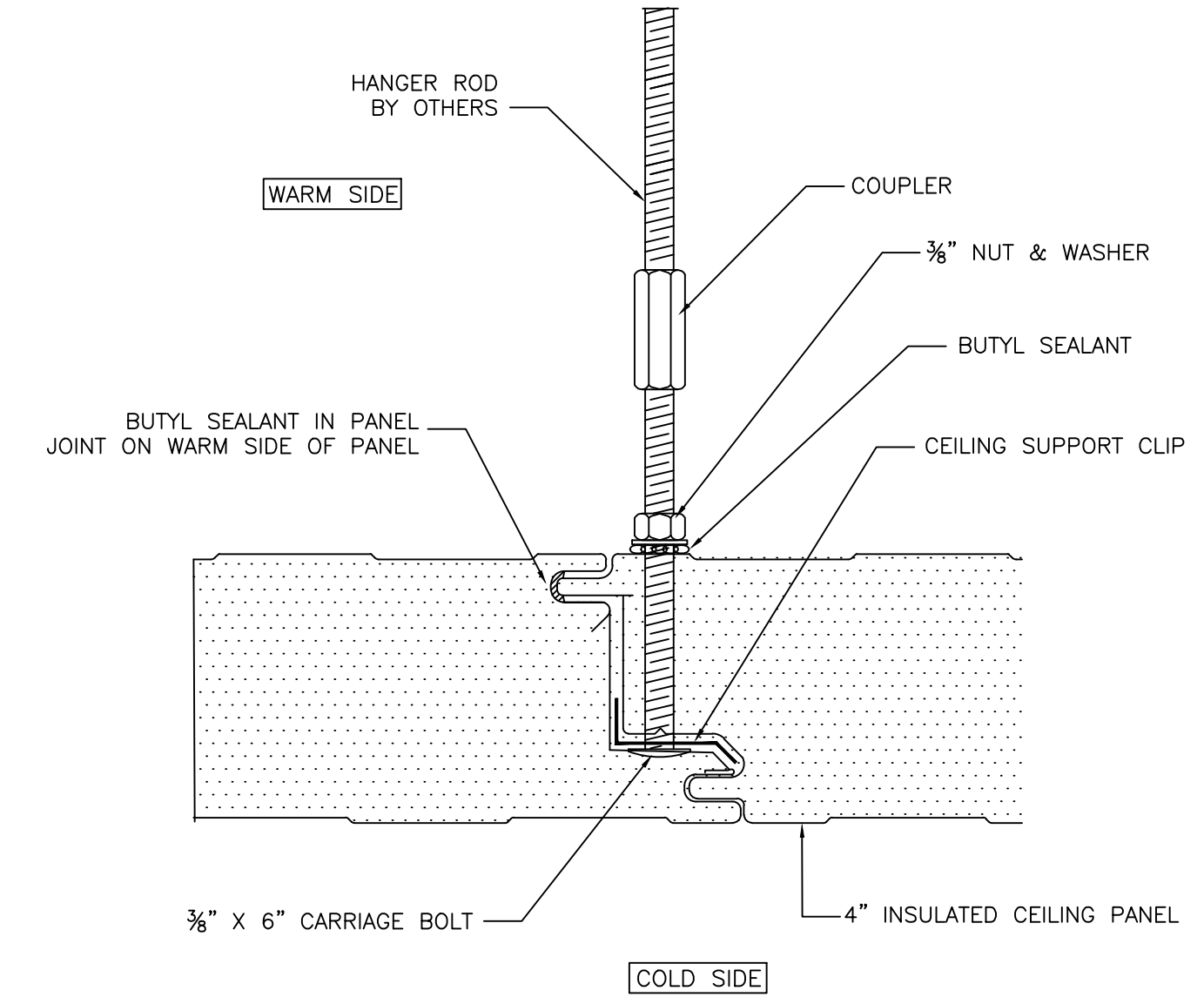


5 CORNER DETAIL
A300



6 WALL / CEILING DETAIL
A300

7 NOT USED
A300



8 INTERMEDIATE CEILING SUPPORT
A300

NO.	REVISION	BY	DATE

Barr Inc.
1423 Planeview Drive
Oshkosh, WI 54904
920-231-1711 Phone

20' x 30' x 20'-4"
Drive-In Cooler

TOLERANCES UNLESS SPECIFIED
 FRACTIONAL X/X" ± 1/32"
 DECIMAL .XX ± .015
 .XXX ± .005
 .XXXX ± .001
 ANGLE X° ± 0'30"
 X'X" ± 0'05"
 XXX' ± 0'05"
 XXXX' ± .001

Draftsman is not responsible for panel heights, quantities and/or dimensions. Contractor to verify all information.

WALL DETAILS

DR. BY: KRZ
 DATE: 8/30/2016
 SCALE: NTS
 CHECKED BY:
 SHEET NO. A300