

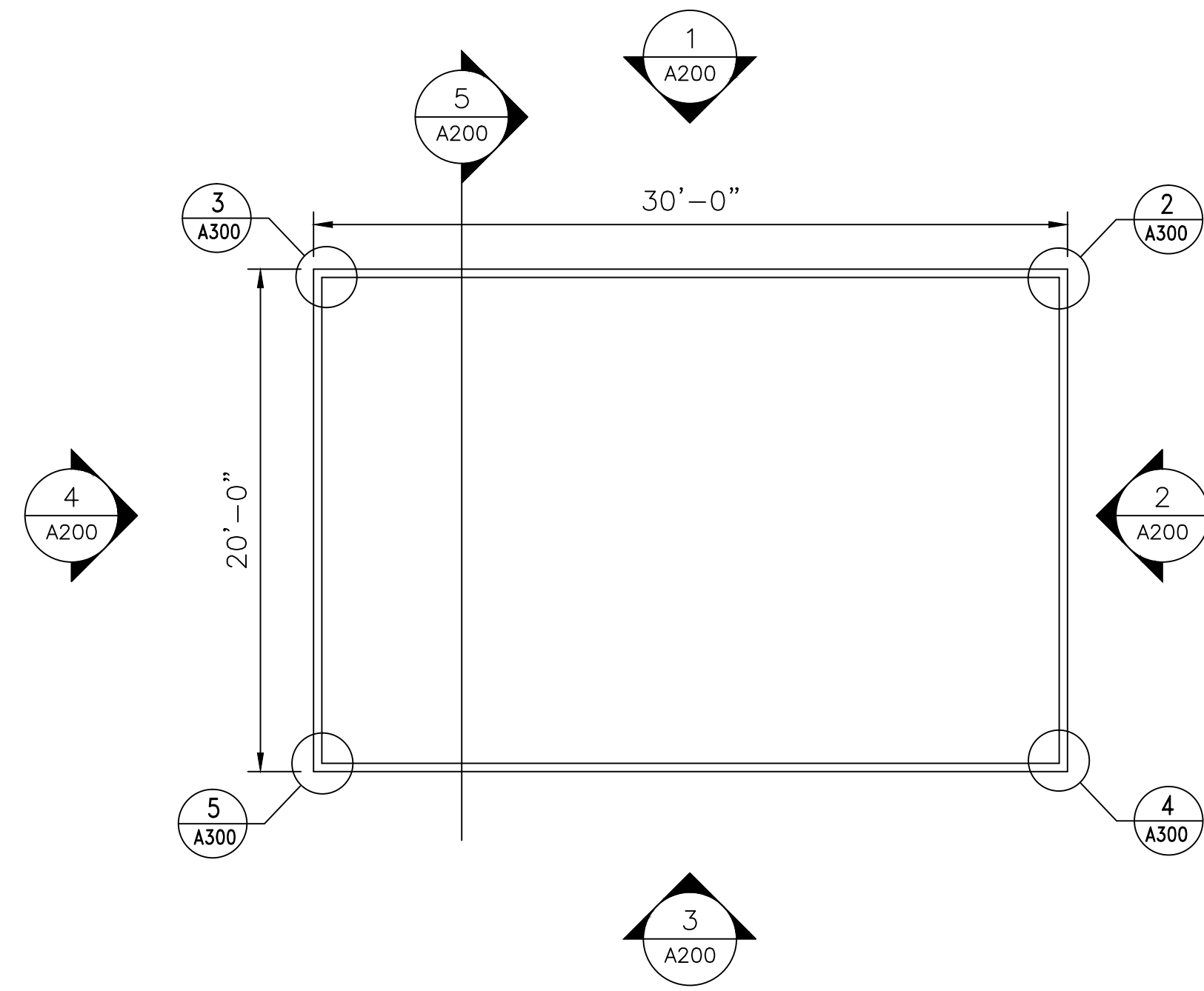
Barr Inc.
 1423 Planeview Drive
 Oshkosh, WI 54904
 920-231-1711 Phone

**20' x 30' x 16'-4"
 Drive-In Freezer**

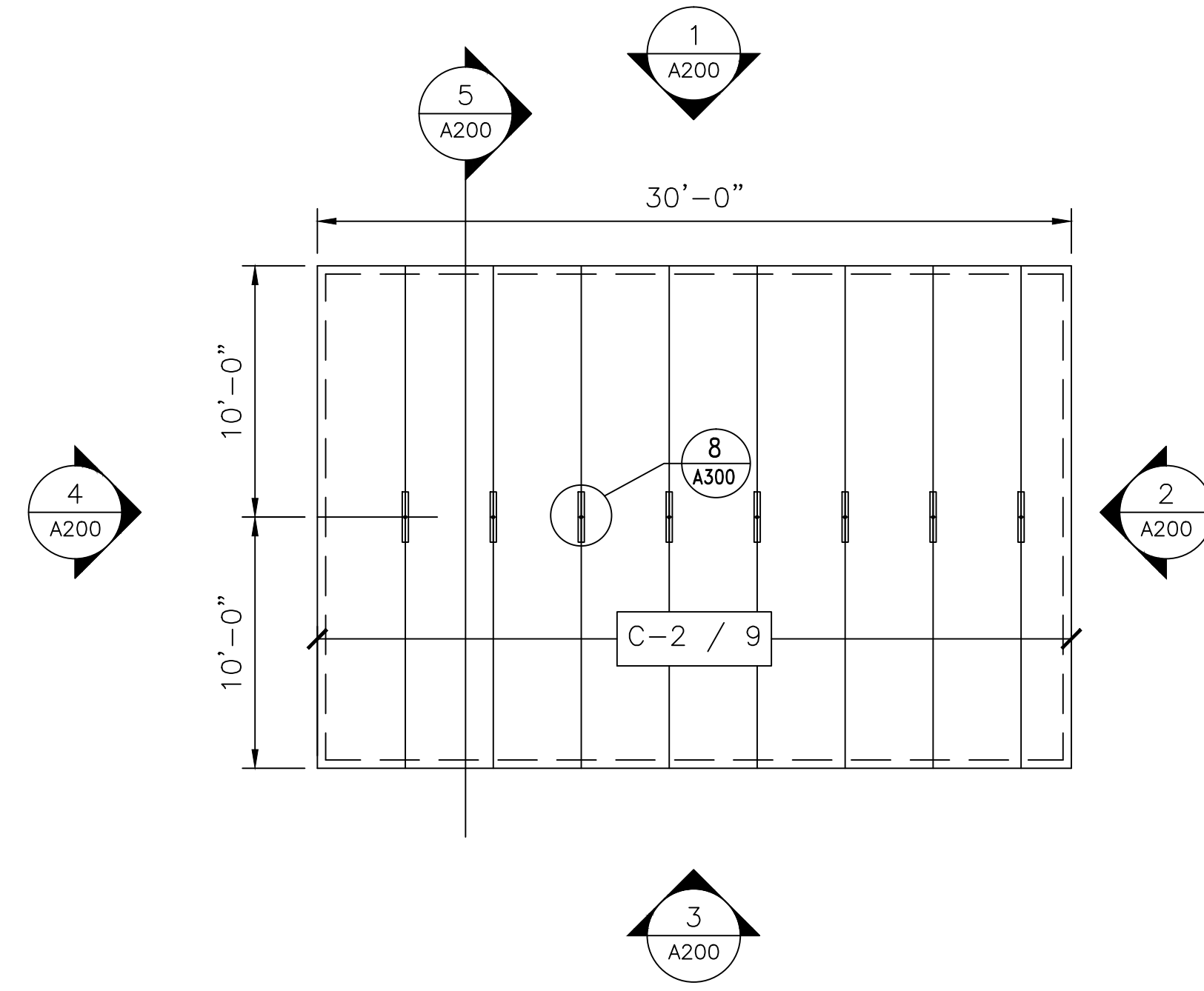
DRAWING INDEX

- T.1** **TITLE SHEET**
- A 100** **FLOOR/CEILING PLAN**
- A200** **INSULATED WALL PANEL ELEVATIONS**
- A300** **INSULATED WALL PANEL DETAILS**

	<small>REVISION</small>	<small>BY</small>	<small>DATE</small>
<small>TOLERANCES UNLESS SPECIFIED FRACTIONAL XX ± 1/32" DECIMAL .XX ± .015 " ± 0'30" XXX ± .005 " ± 0'05" XXXX ± .001 " ± 0'05" <small>Draftsman is not responsible for panel heights, quantities, and / or dimensions. Contractor to verify all information.</small></small>			
TITLE			
DR.BY: KRZ			
DATE: 8/30/2016			
SCALE: NTS			
CHECKED BY:			
SHEET NO. T.1			
Barr Inc. 1423 Planeview Drive Oshkosh, WI 54904 920-231-1711 Phone			
20' x 30' x 16'-4" Drive-In Freezer			



1 FLOOR PLAN
A100 SCALE: N.T.S.



2 CEILING PLAN
A100 SCALE: N.T.S.

PANEL SCHEDULE

PANEL DESIG.	PANEL HEIGHT	QTY OF PANELS	PANEL THICK	PANEL SERIES	PANEL COLOR
W-1	16'-0"	30	4"	MESALINE	USDA WHITE
C-2	20'-0"	9	4"	MESALINE	USDA WHITE

REVISION	DATE	BY

Barr Inc.
1423 Planeview Drive
Oshkosh, WI 54904
920-231-1711 Phone

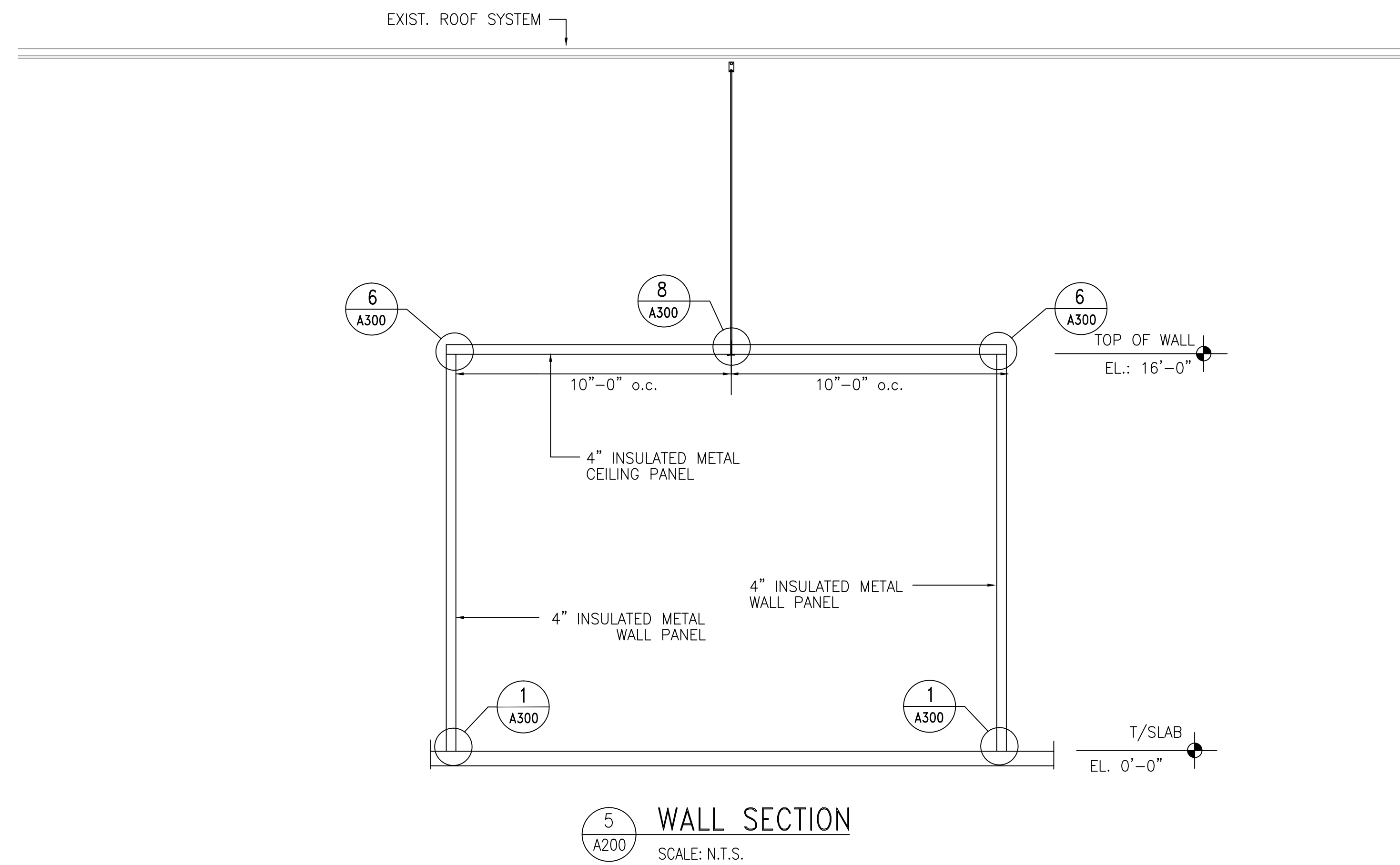
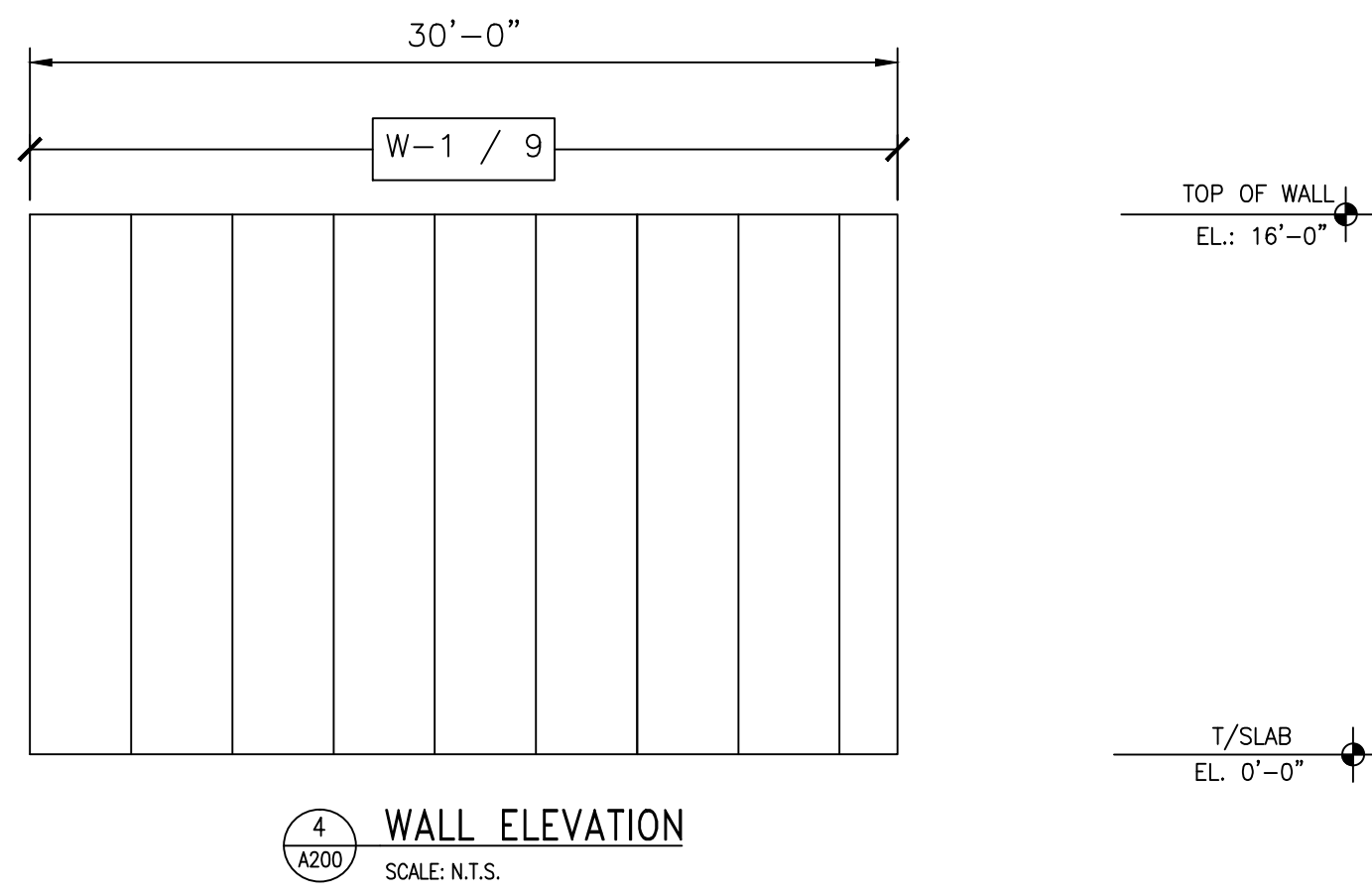
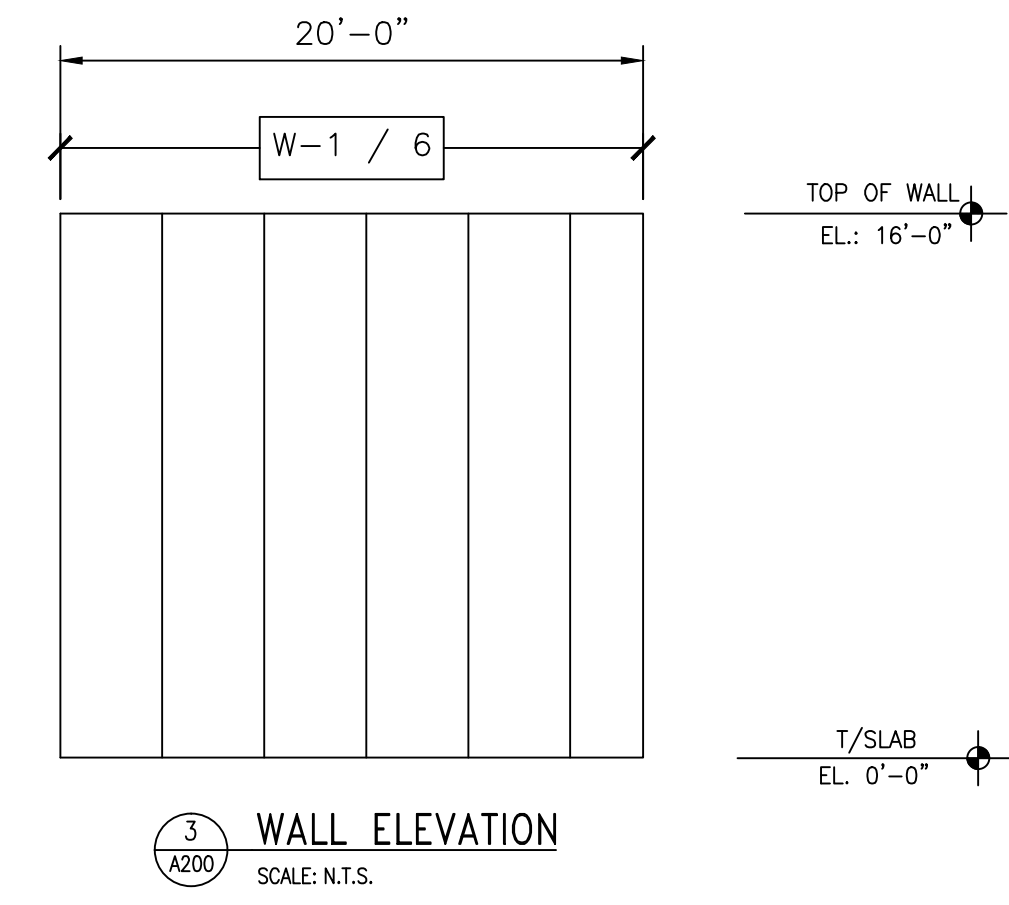
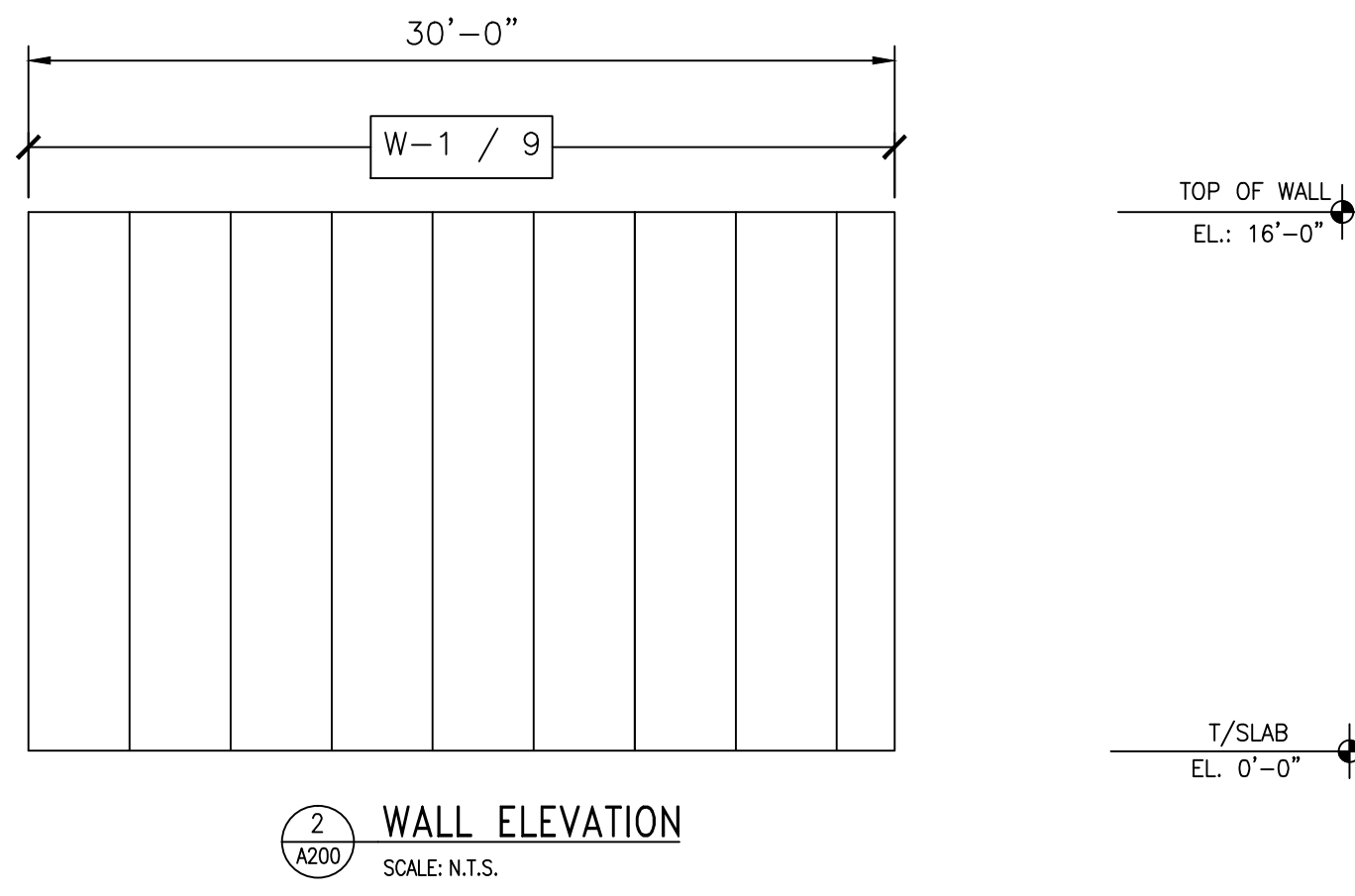
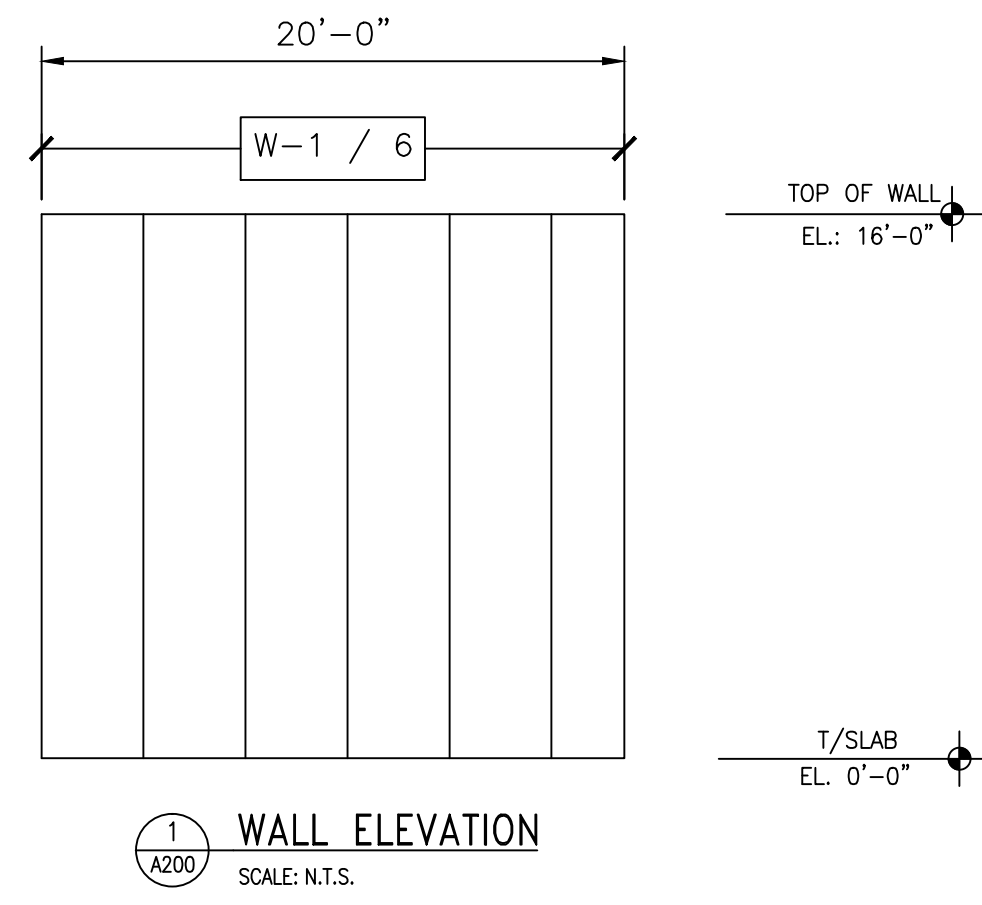
20' x 30' x 16'-4"
Drive-In Freezer

TOLERANCES UNLESS SPECIFIED
FRACTIONAL DECIMAL .015 X' ± 0'30'
X/X" ± 1/32" .XX ± .05 X'X' ± 0'05"
.XXX ± .005 X'X' ± 0'05"
.XXXX ± .001

Draftsman is not responsible for panel heights, quantities and / or dimensions. Contractor to verify all information.

FLOOR PLAN

DR.BY: KRZ
DATE: 8/30/2016
SCALE: NTS
CHECKED BY:
SHEET NO. A100



PANEL SCHEDULE

PANEL DESIG.	PANEL HEIGHT	QTY. OF PANELS	PANEL THICK	PANEL SERIES	PANEL COLOR
W-1	16'-0"	30	4"	MESALINE	USDA WHITE
C-2	20'-0"	9	4"	MESALINE	USDA WHITE

NO.	REVISION	BY	DATE

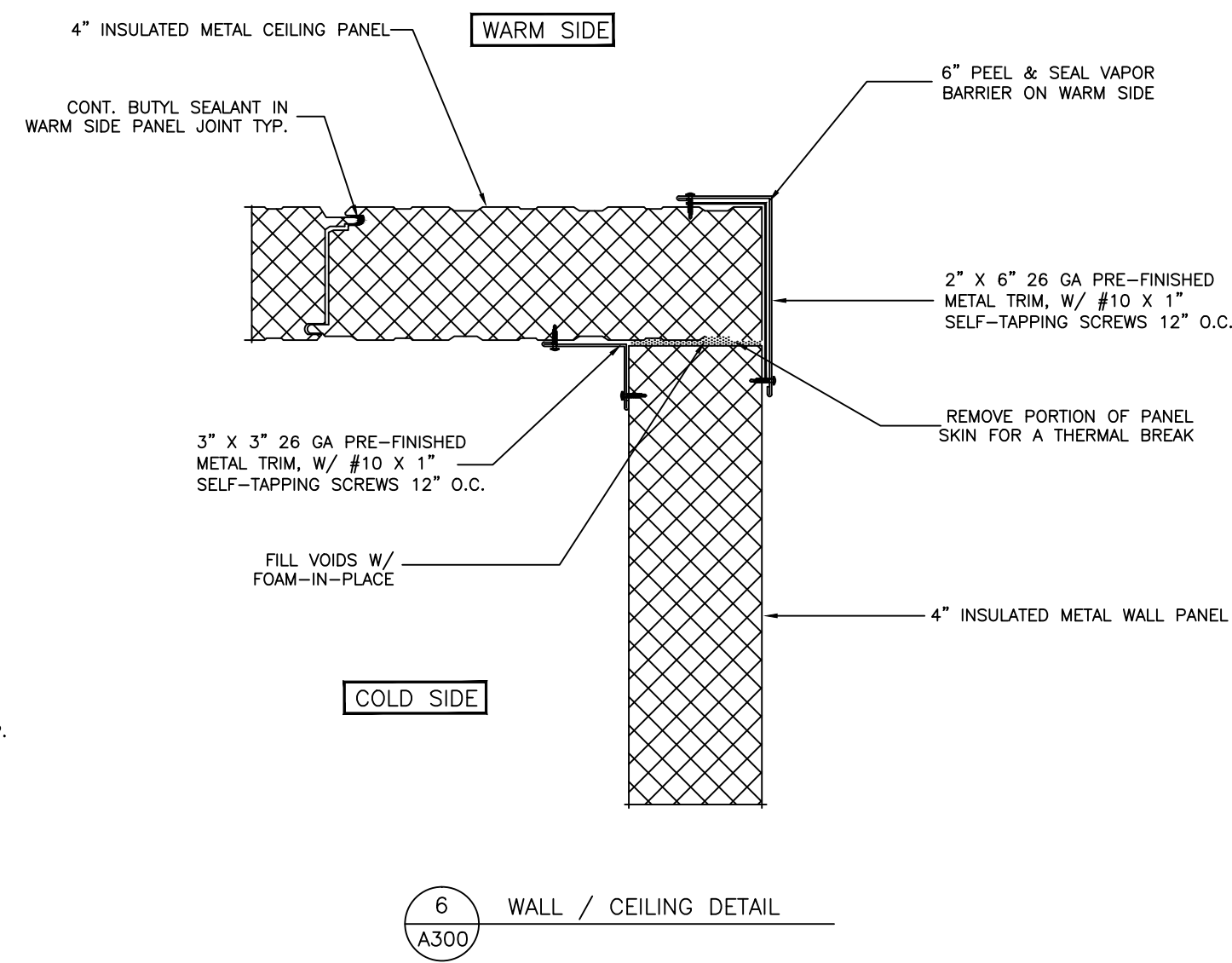
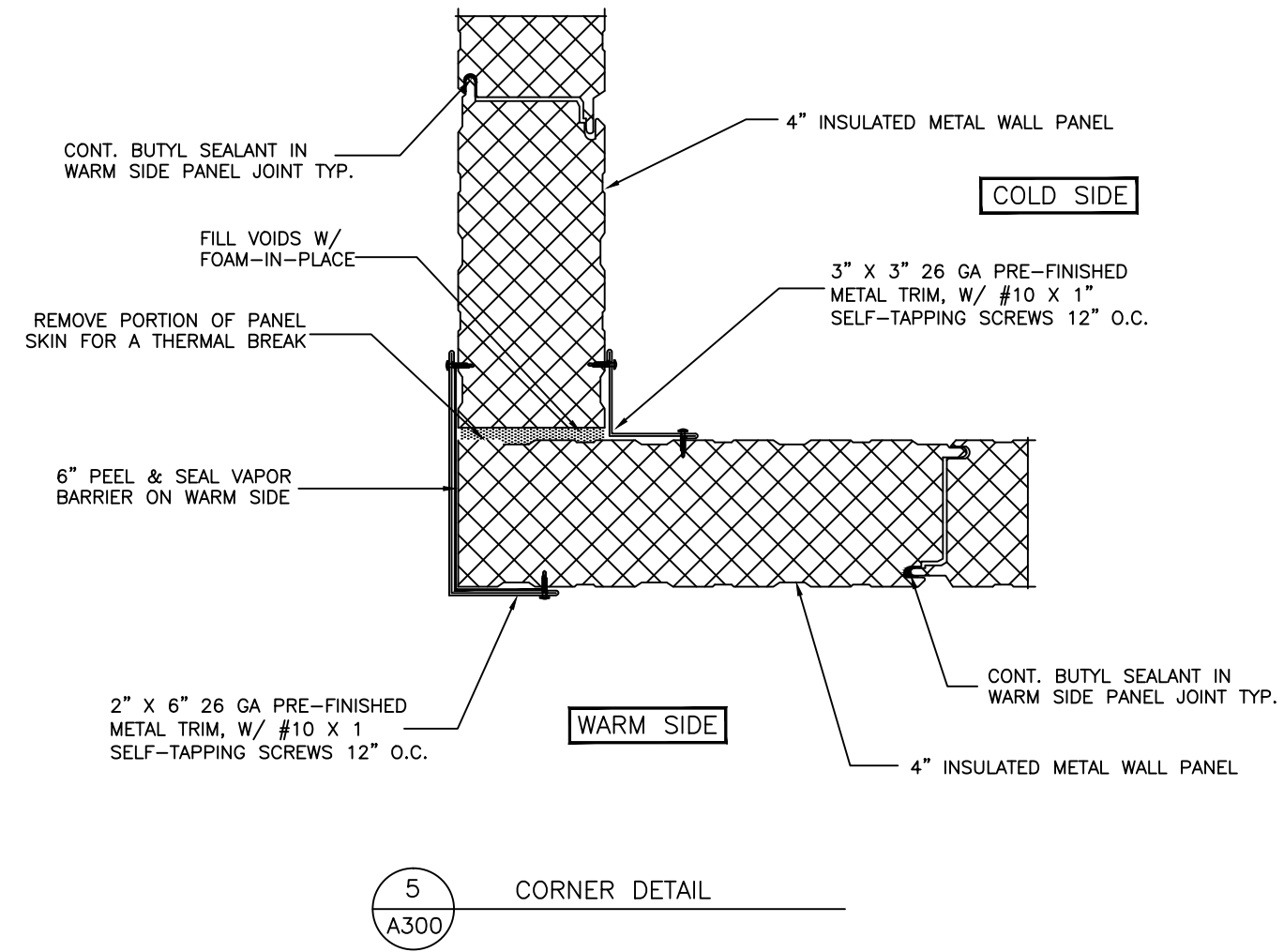
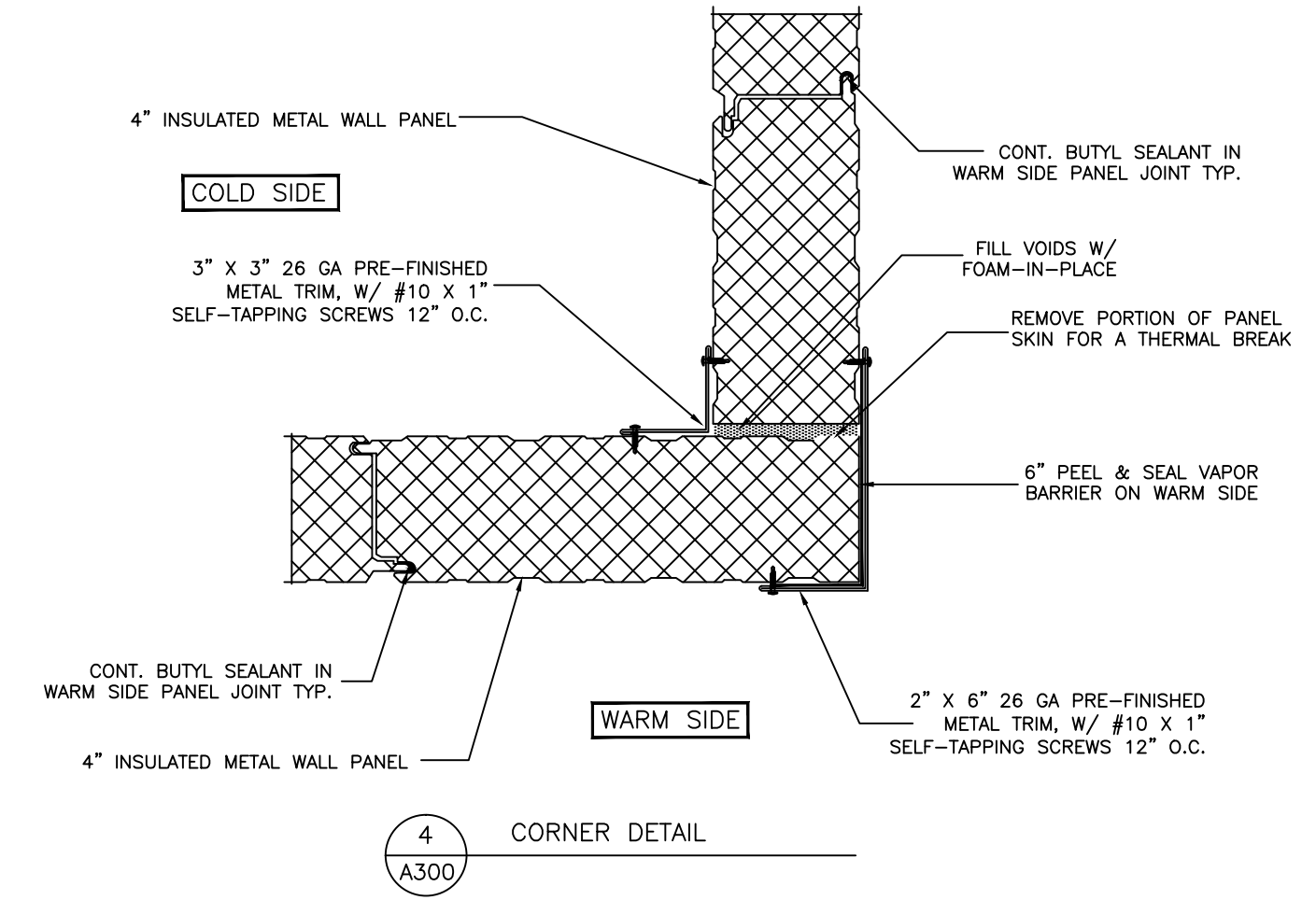
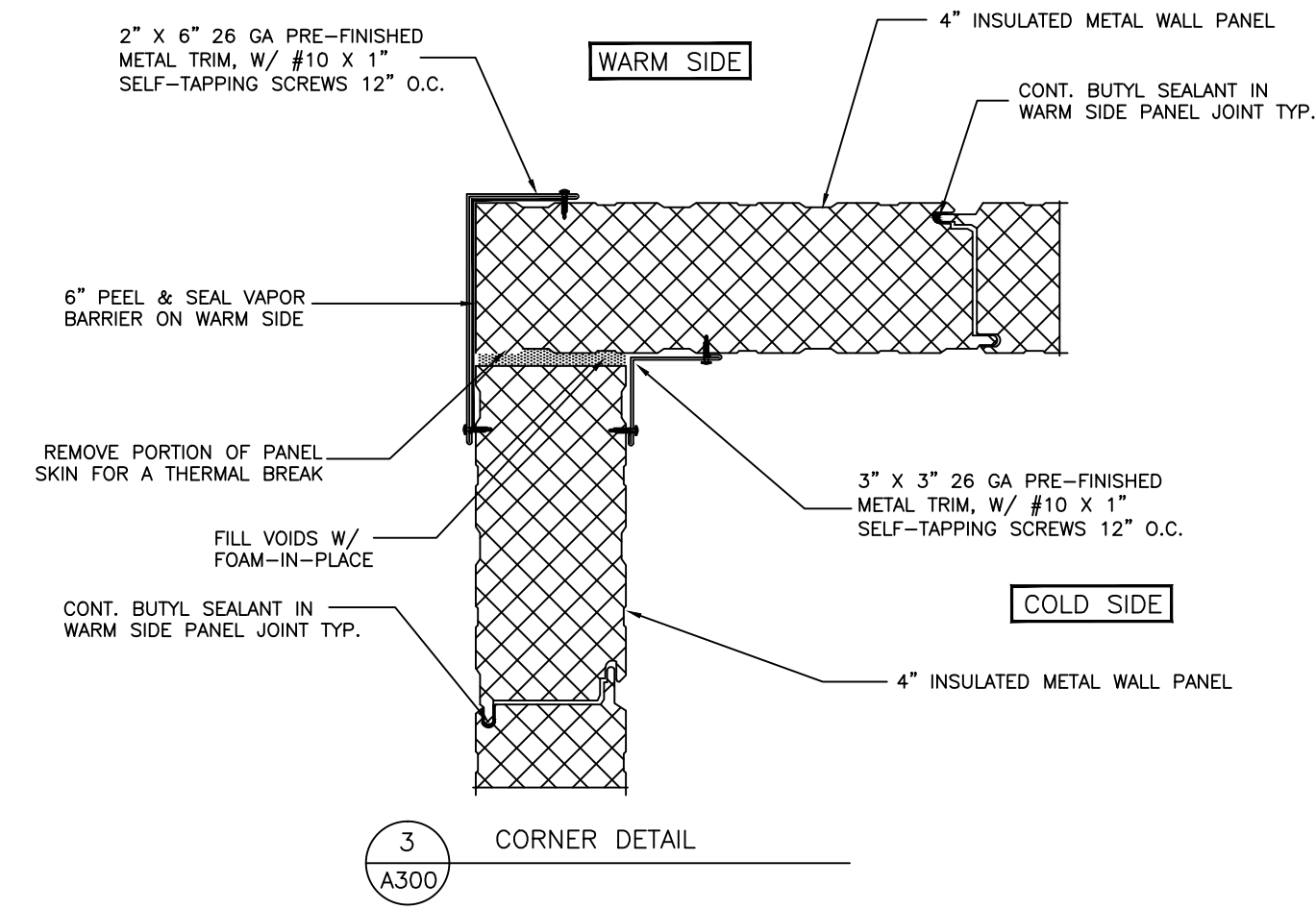
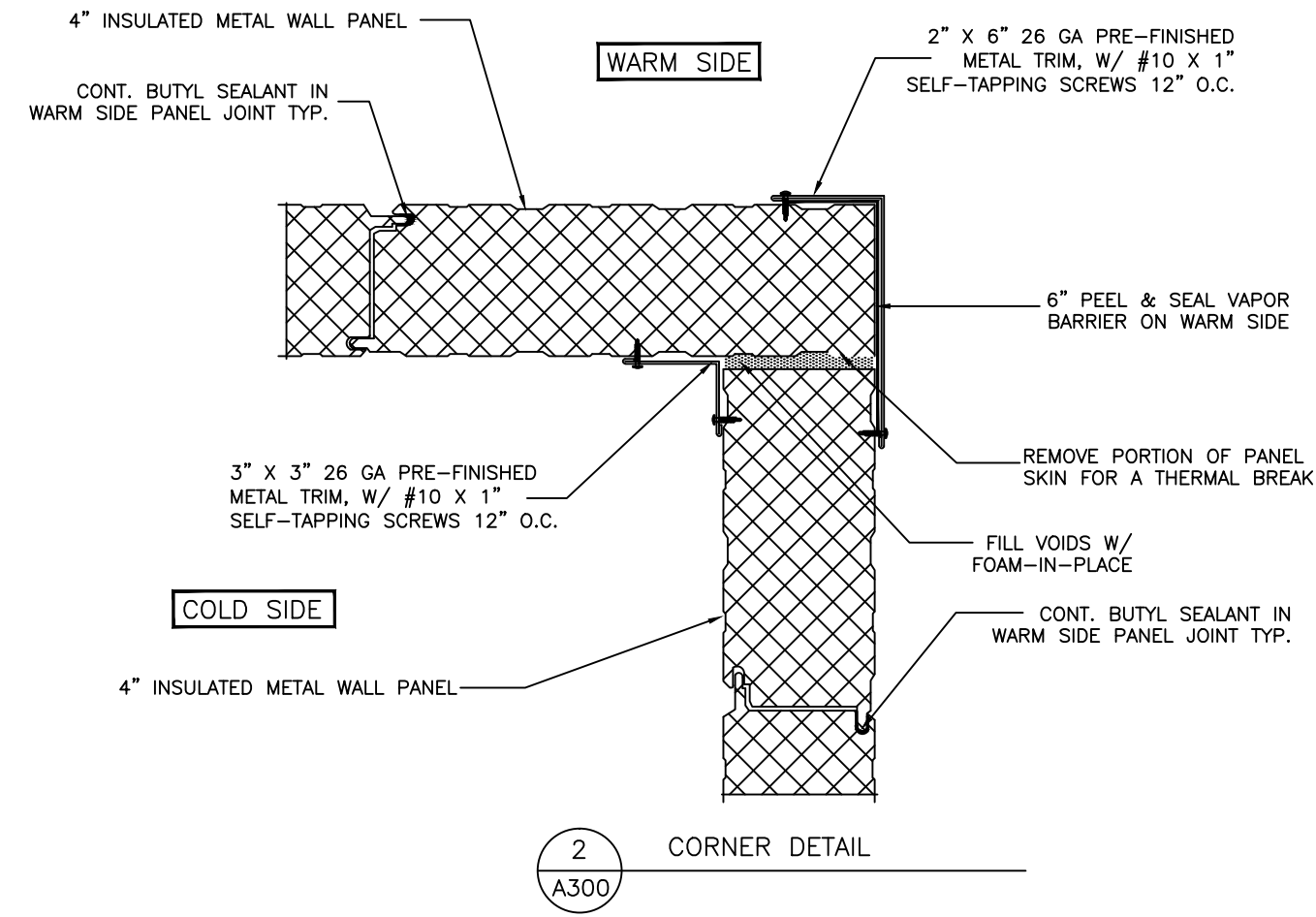
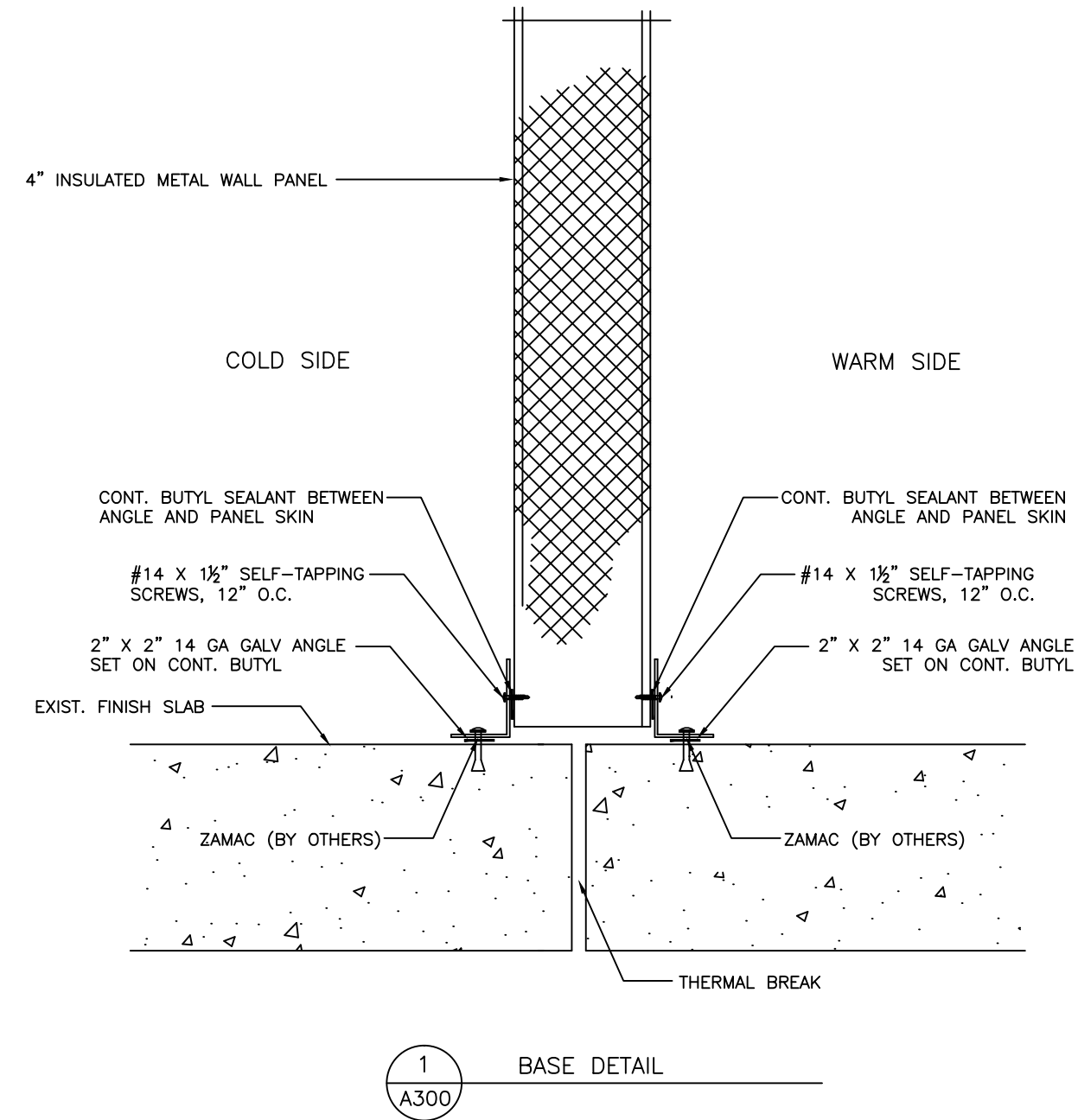
Barr Inc.
1423 Planeview Drive
Oshkosh, WI 54904
920-231-1711 Phone

20' x 30' x 16'-4"
Drive-In Freezer

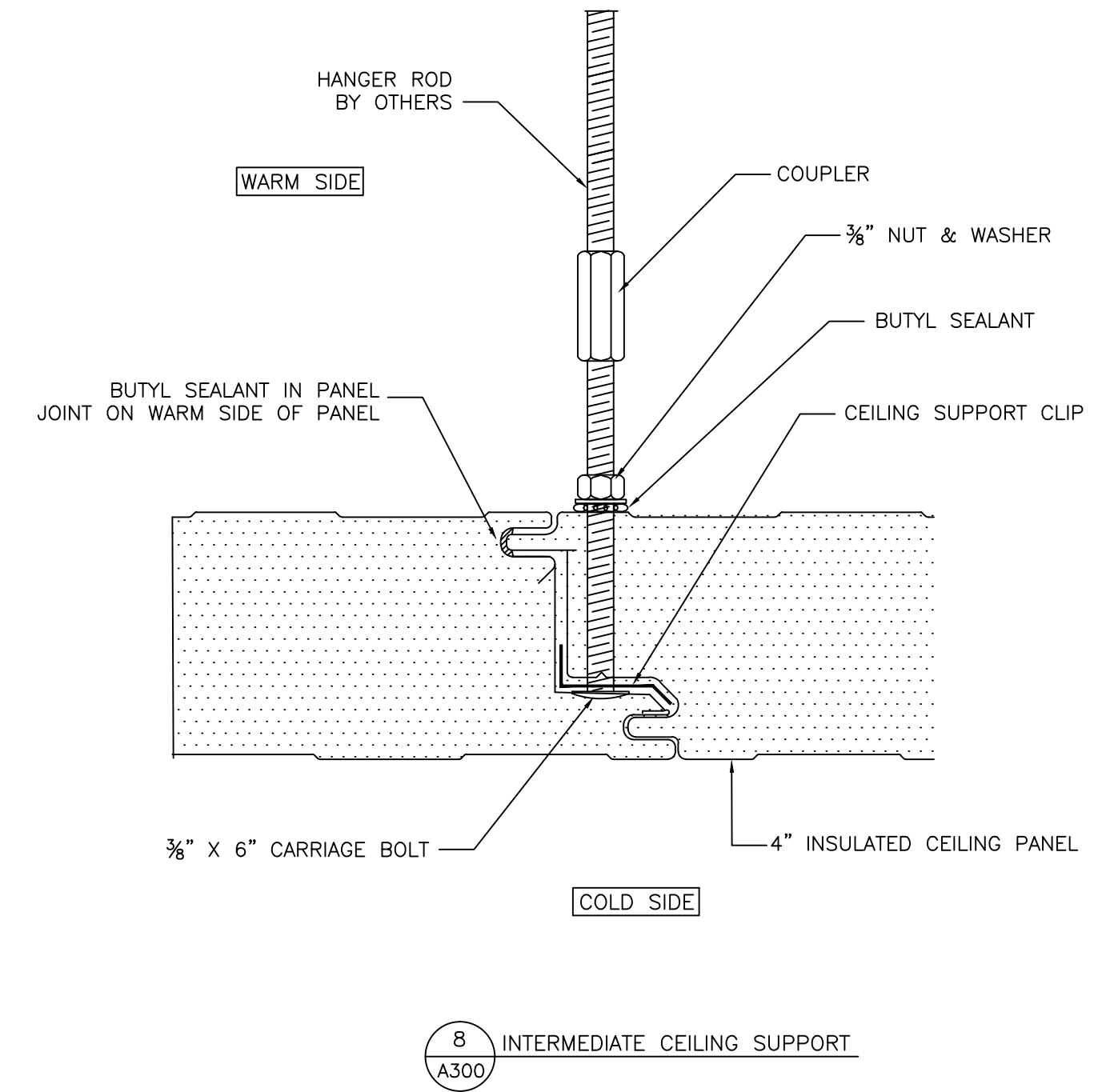
TOLERANCES UNLESS SPECIFIED
FRACTIONAL DECIMAL X'X" ± 1/32" .XX ± .015 .XXX ± .005 .XXXX ± .001 X' °' ± 0'30" X' °'X" ± 0'05" X' °'X" ± 0'05" X' °'X" ± 0'05"
Draftsman is not responsible for panel heights, quantities and/or dimensions. Contractor to verify all information.

WALL ELEVATIONS

DR. BY: KRZ
DATE: 8/30/2016
SCALE: NTS
CHECKED BY:
SHEET NO. A200



7 NOT USED
A300



NO.	REVISION	BY	DATE

Barr Inc.
1423 Planeview Drive
Oshkosh, WI 54904
920-231-1711 Phone

20' x 30' x 16'-4"
Drive-In Freezer

TOLERANCES UNLESS SPECIFIED
 FRACTIONAL DECIMAL ANGLE
 X/X" ± 1/32" .015 X° ± 0'30"
 ± .005 .005 X'X' ± 0'05"
 .XXXX ± .001

Draftsman is not responsible for panel heights, quantities and/or dimensions. Contractor to verify all information.

WALL DETAILS

DR. BY: KRZ
 DATE: 8/30/2016
 SCALE: NTS
 CHECKED BY:
 SHEET NO. A300