

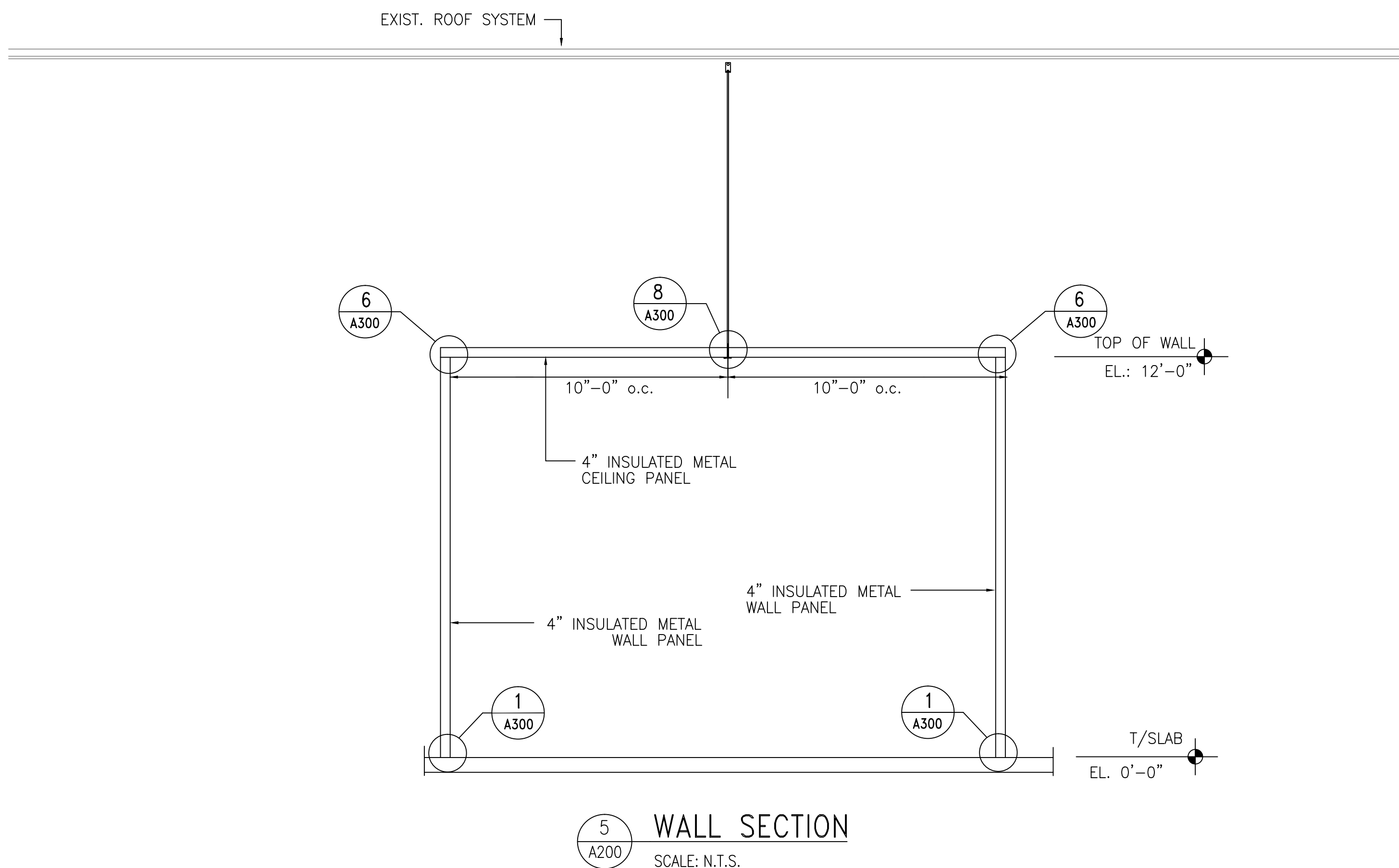
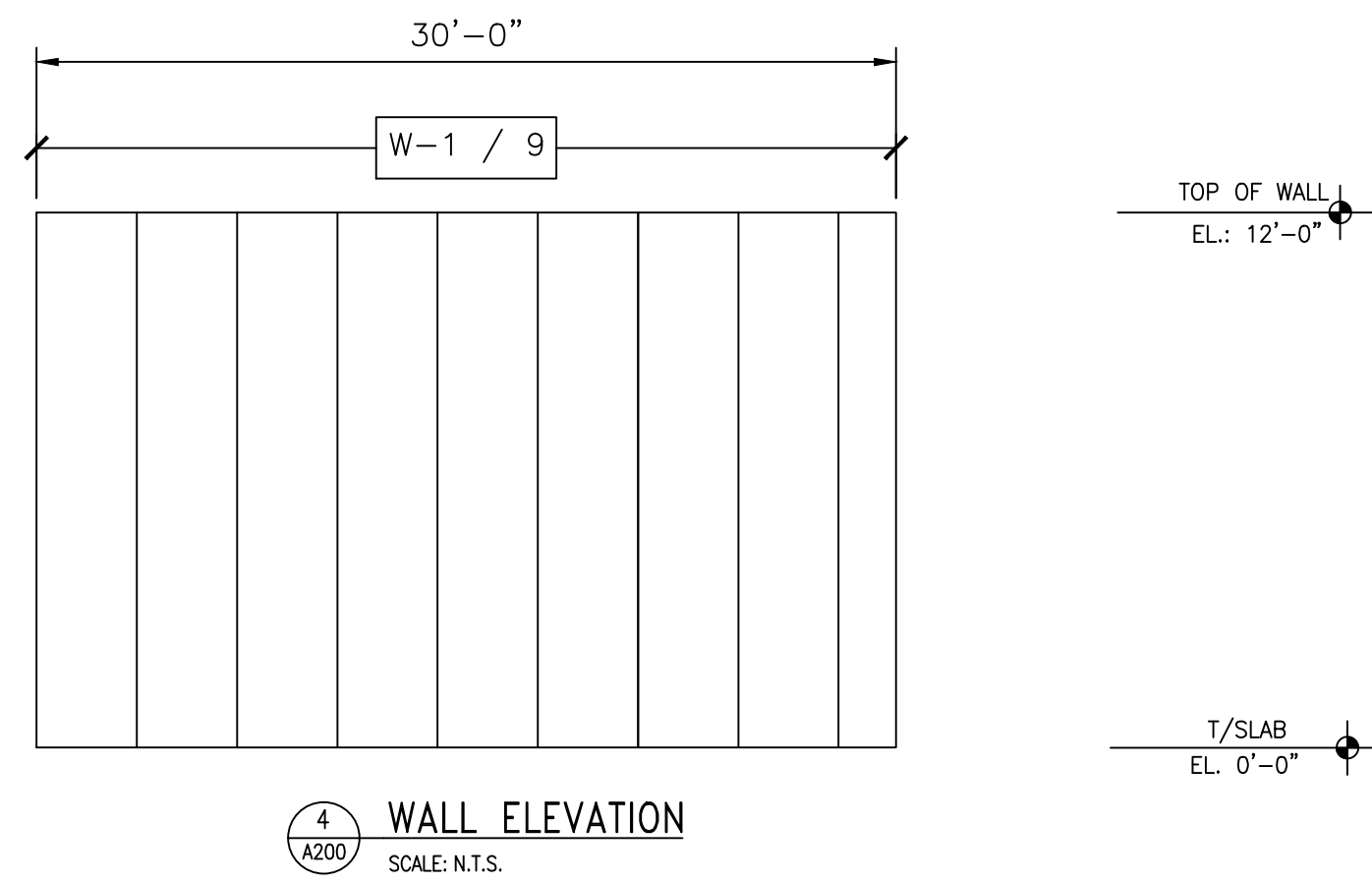
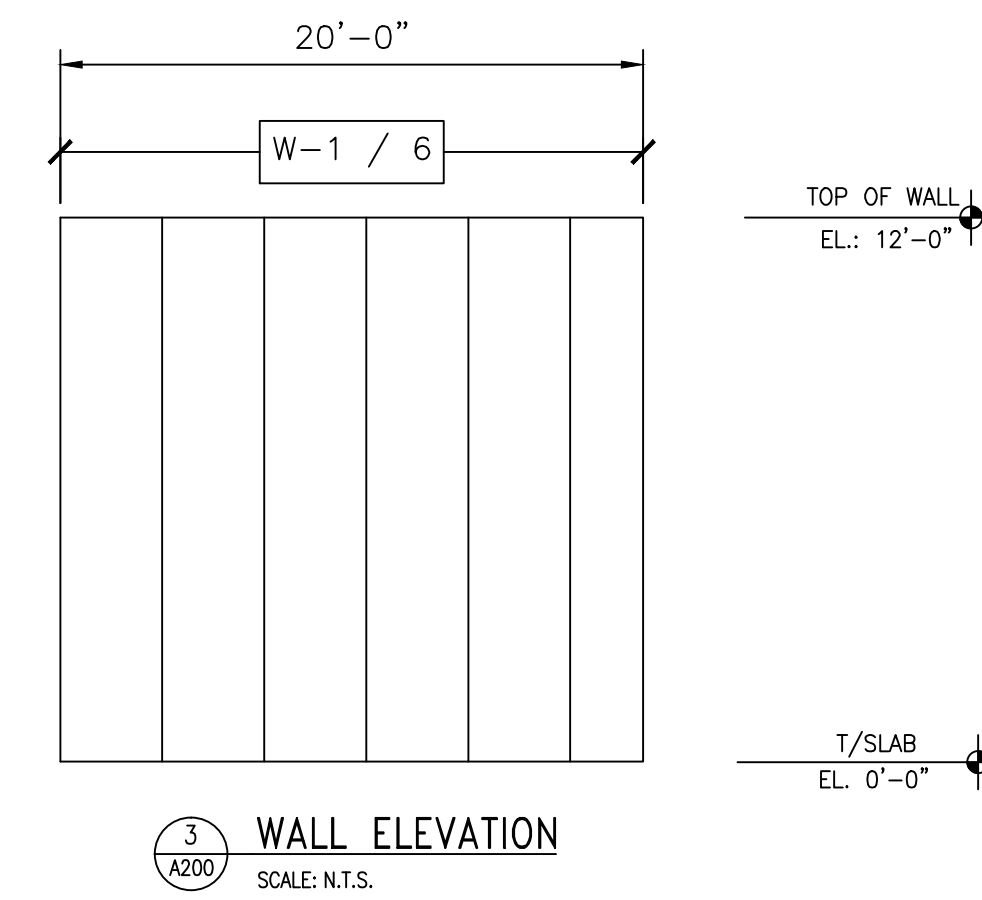
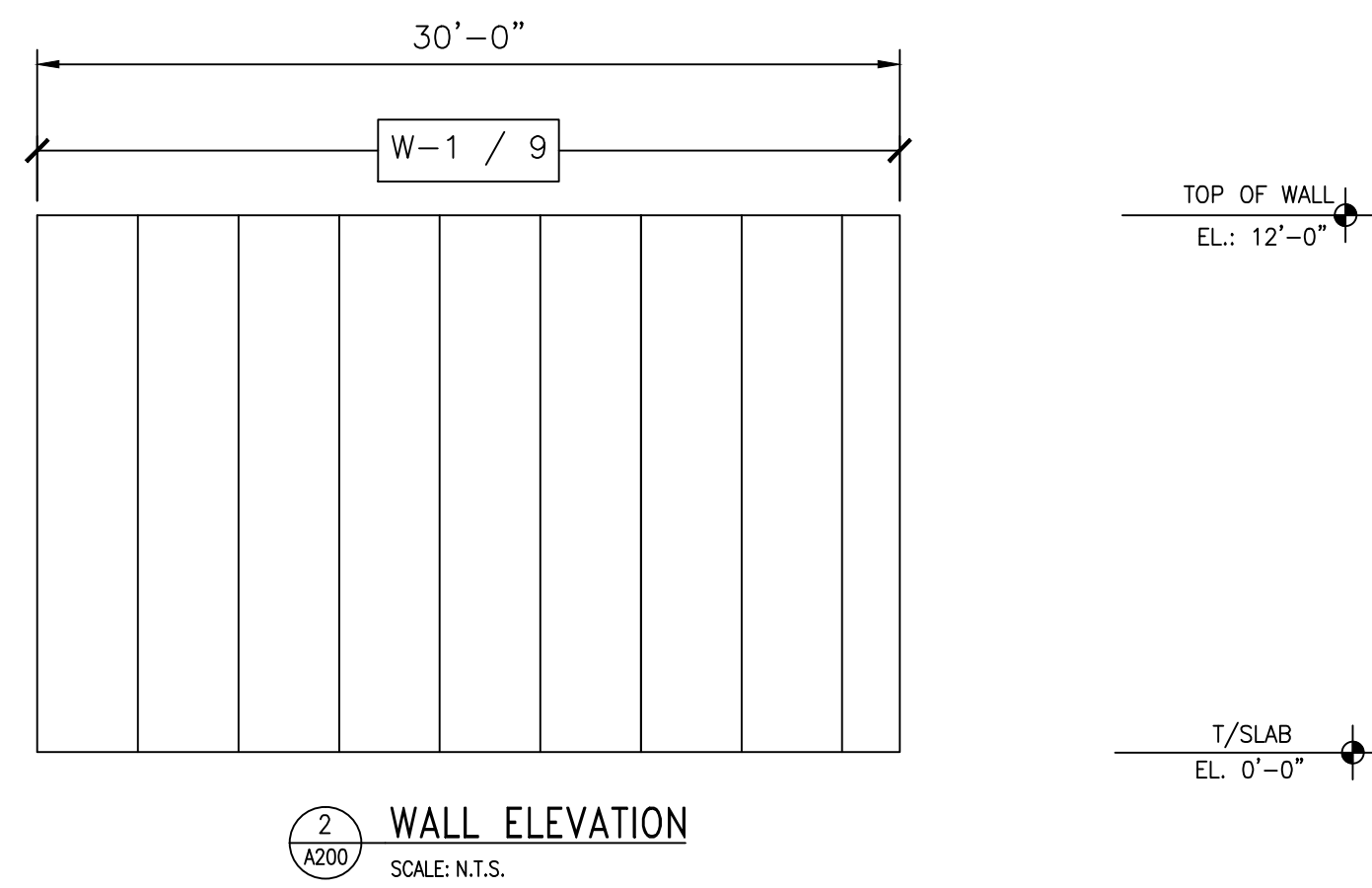
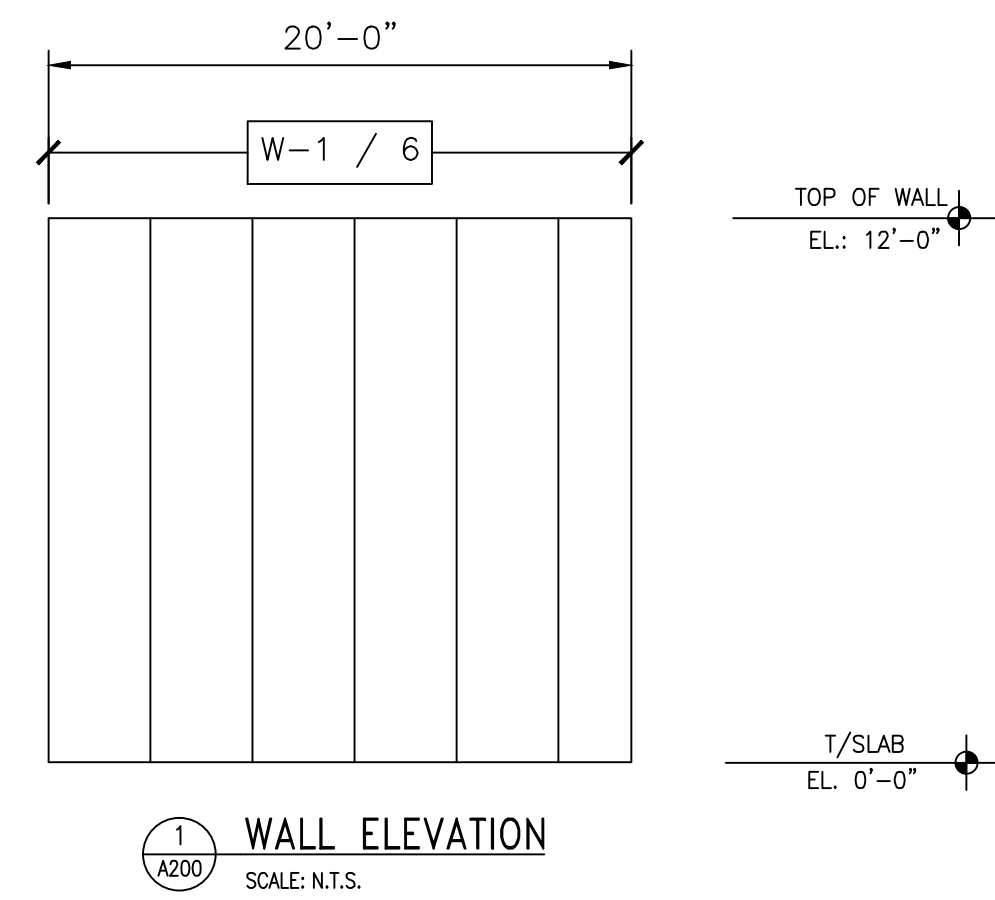
Barr Inc.
1423 Planeview Drive
Oshkosh, WI 54904
920-231-1711 Phone

20' x 30' x 12'-4"
Drive-In Freezer

DRAWING INDEX

T.1	TITLE SHEET
A100	FLOOR/CEILING PLAN
A200	INSULATED WALL PANEL ELEVATIONS
A300	INSULATED WALL PANEL DETAILS

TOLERANCES UNLESS SPECIFIED	
FRACTIONAL X/X"	± 1/32"
DECIMAL .XX .XXX .XXXX	± .015 ± .005 ± .001
ANGLE X° XX'	± 0'30" ± 0'05"
Draftsman is not responsible for panel heights, quantities and / or dimensions. Contractor to verify all information.	
TITLE	
DR. BY:	KRZ
DATE:	8/30/2016
SCALE:	NTS
CHECKED BY:	
SHEET NO.	T.1
Barr Inc. 1423 Planeview Drive Oshkosh, WI 54904 920-231-1711 Phone	
20' x 30' x 12'-4" Drive-In Freezer	
REVISION	
BY	DATE



PANEL SCHEDULE

PANEL DESIG.	PANEL HEIGHT	QTY. OF PANELS	PANEL THICK	PANEL SERIES	PANEL COLOR
W-1	12'-0"	30	4"	MESALINE	USDA WHITE
C-2	20'-0"	9	4"	MESALINE	USDA WHITE

TOLERANCES UNLESS SPECIFIED
 FRACTIONAL .XX ± 1/32"
 DECIMAL .015 ± .005
 X" ± .005
 ANGLE °'30" ± 0'05"
 °'00" ± 0'05"
 °'00" ± 0'05"
 °'00" ± 0'05"

Draftsman is not responsible for panel heights, quantities, and/or dimensions. Contractor to verify all information.

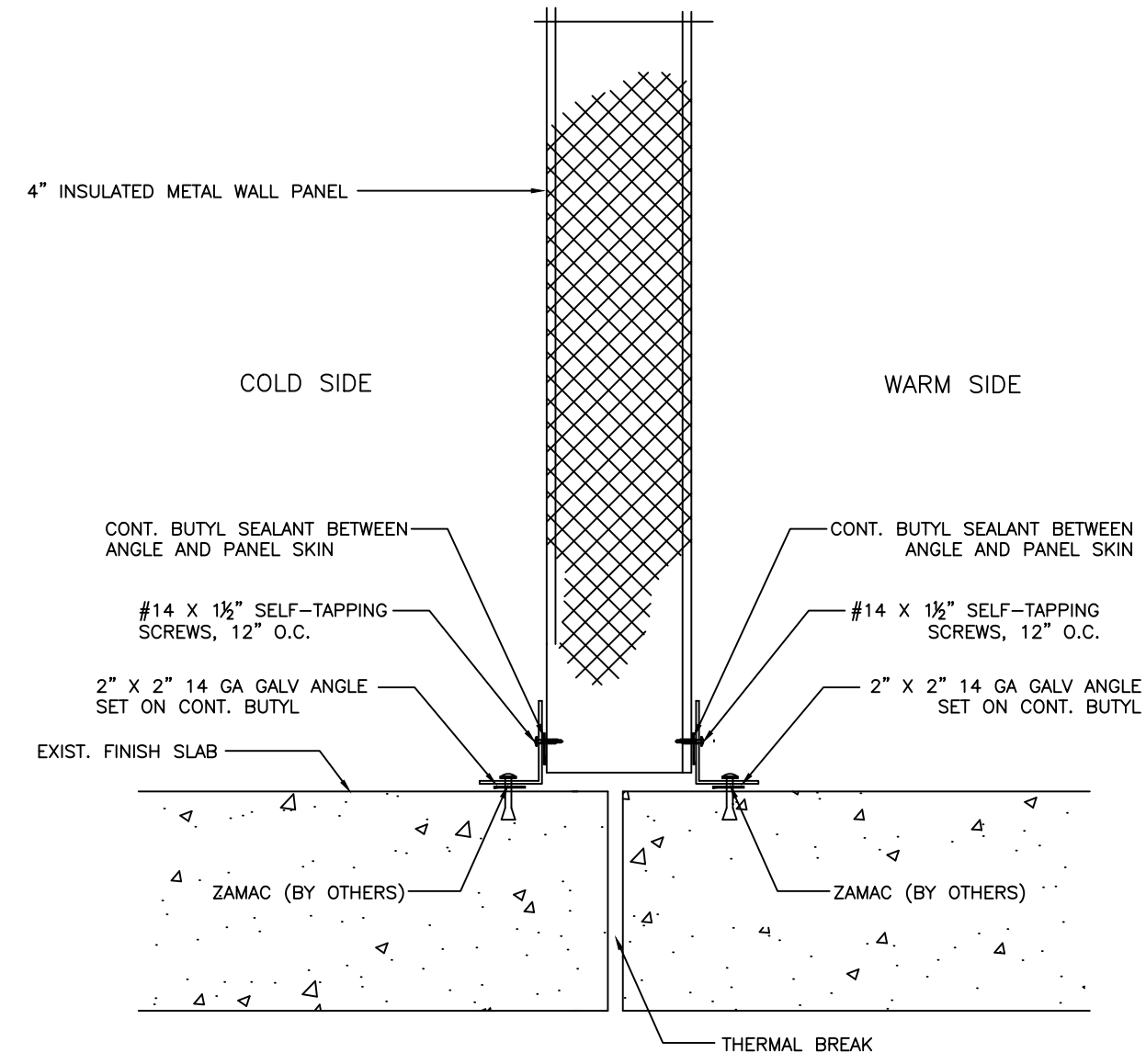
WALL ELEVATIONS

DR. BY: KRZ
DATE: 8/30/2016
SCALE: NTS
CHECKED BY:
SHEET NO. A200

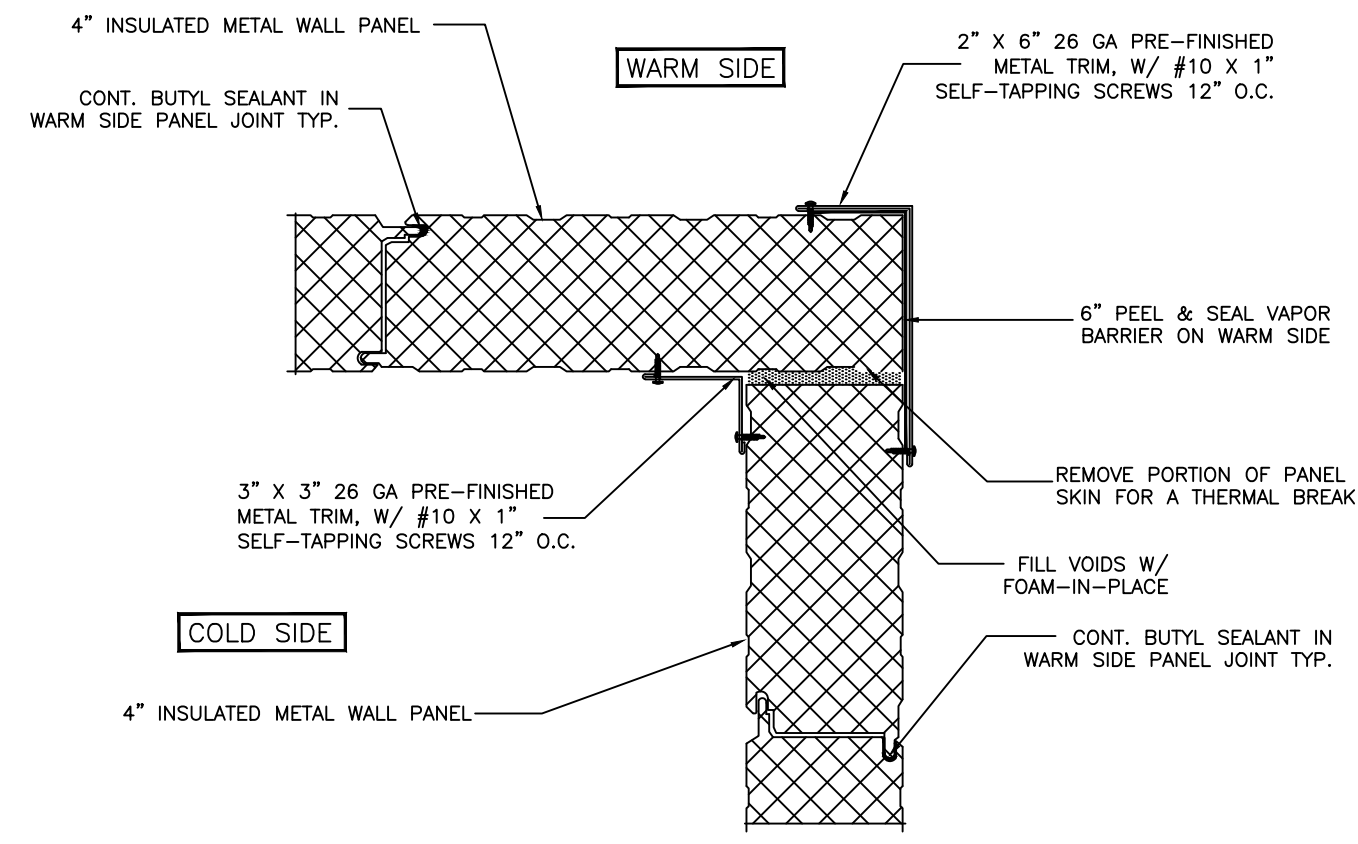
Barr Inc.
 1423 Planeview Drive
 Oshkosh, WI 54904
 920-231-1711 Phone

20' x 30' x 12'-4"
 Drive-In Freezer

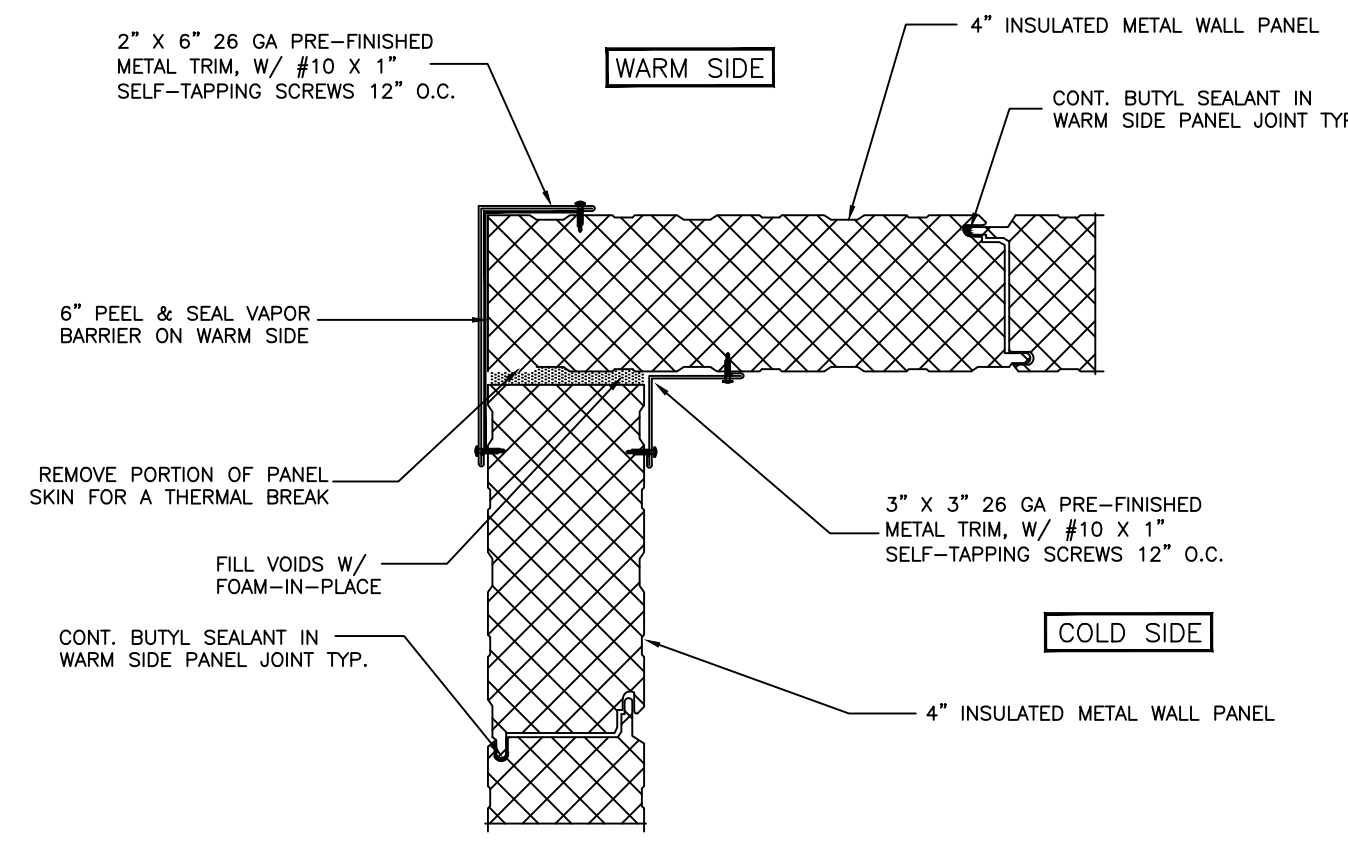
NO.	DATE	BY	REVISION



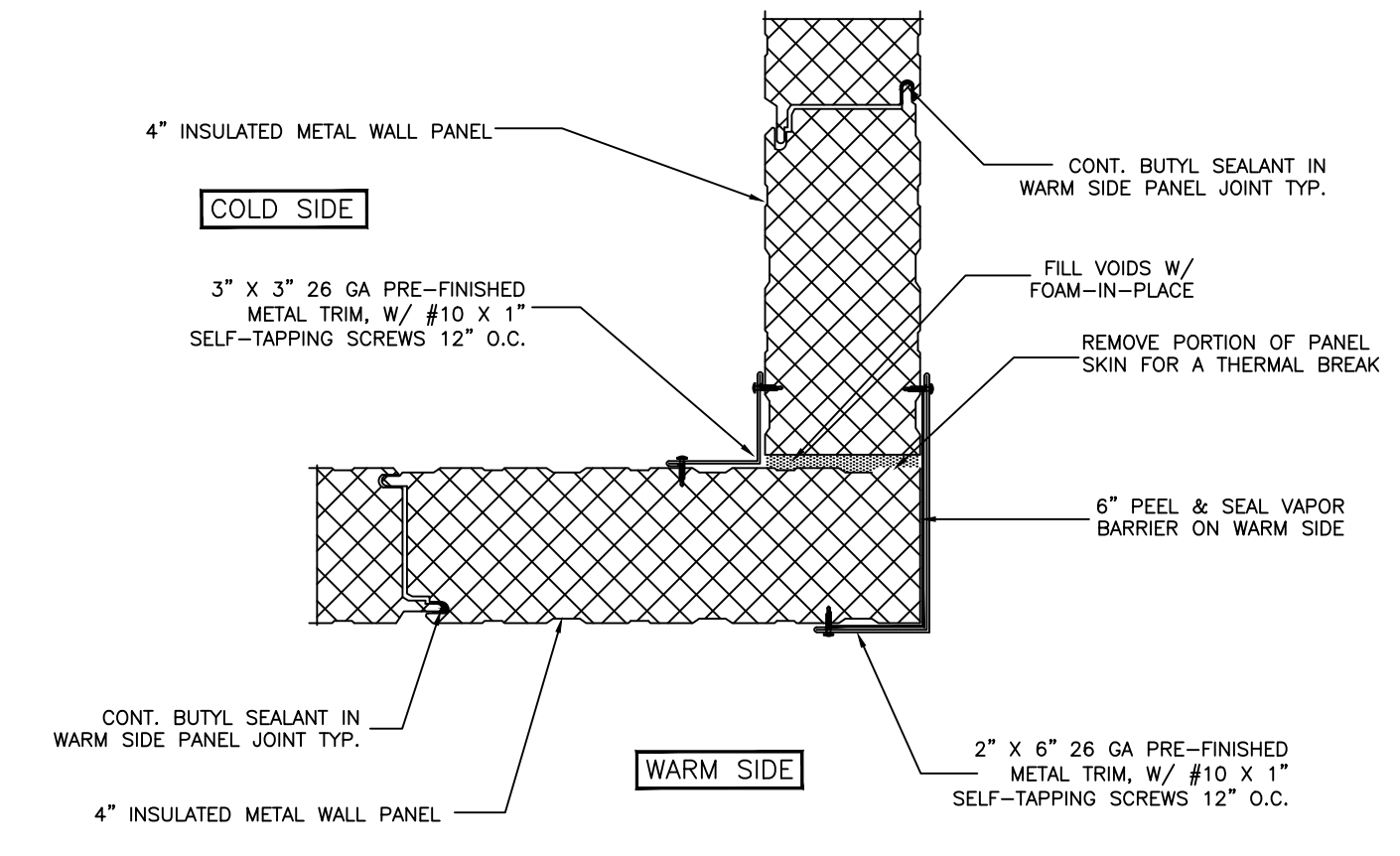
1
A300
BASE DETAIL



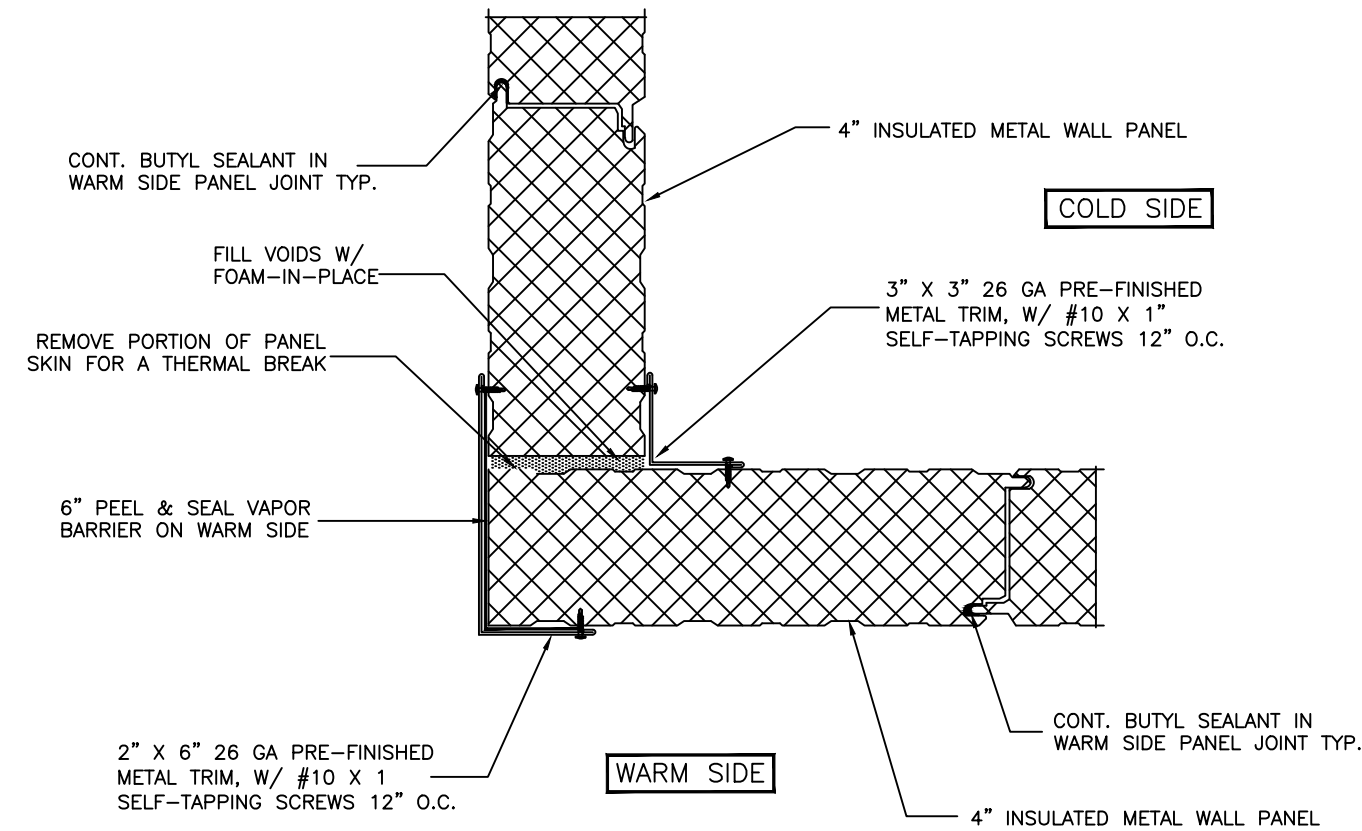
2
A300
CORNER DETAIL



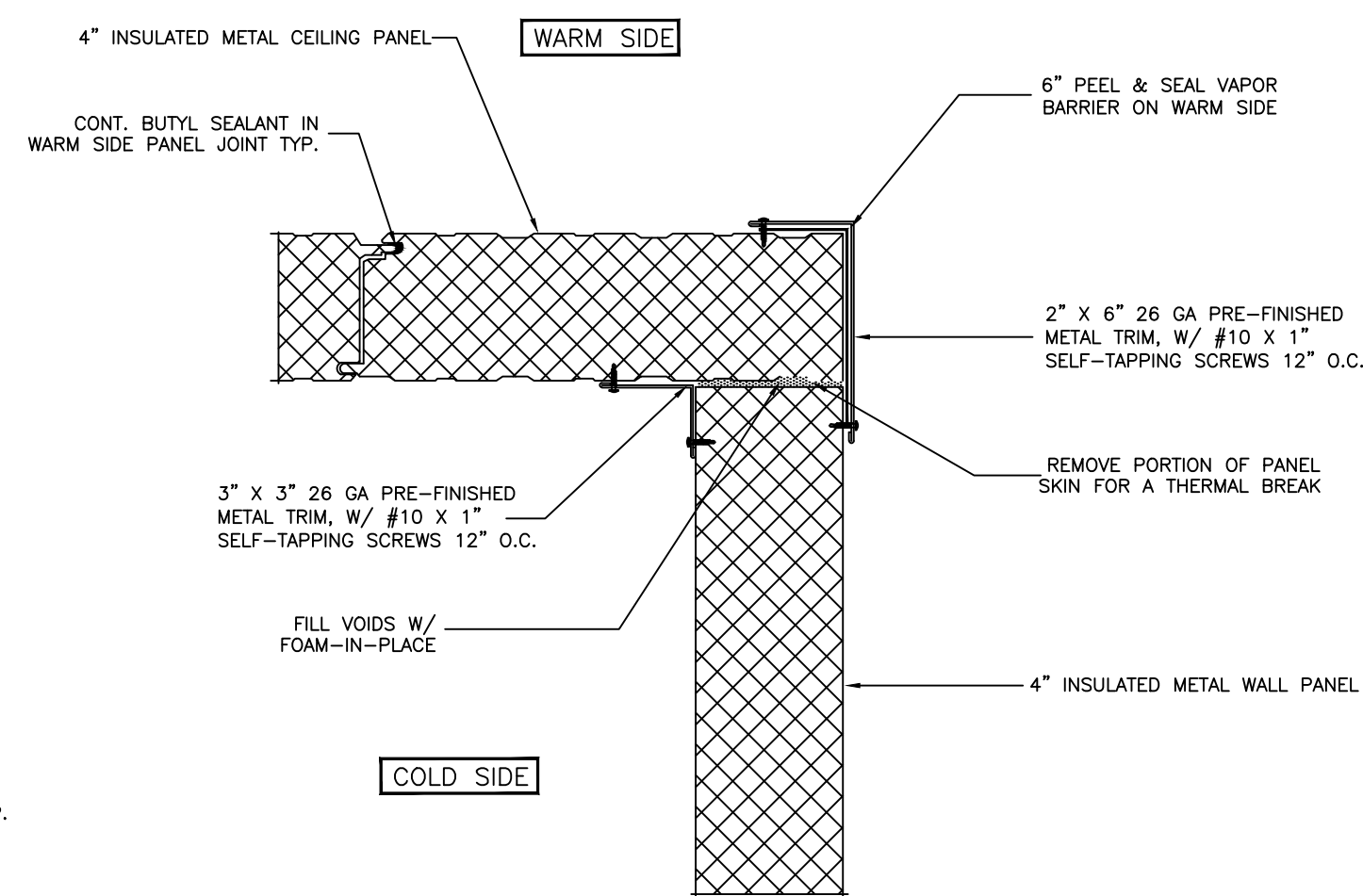
3
A300
CORNER DETAIL



4
A300
CORNER DETAIL

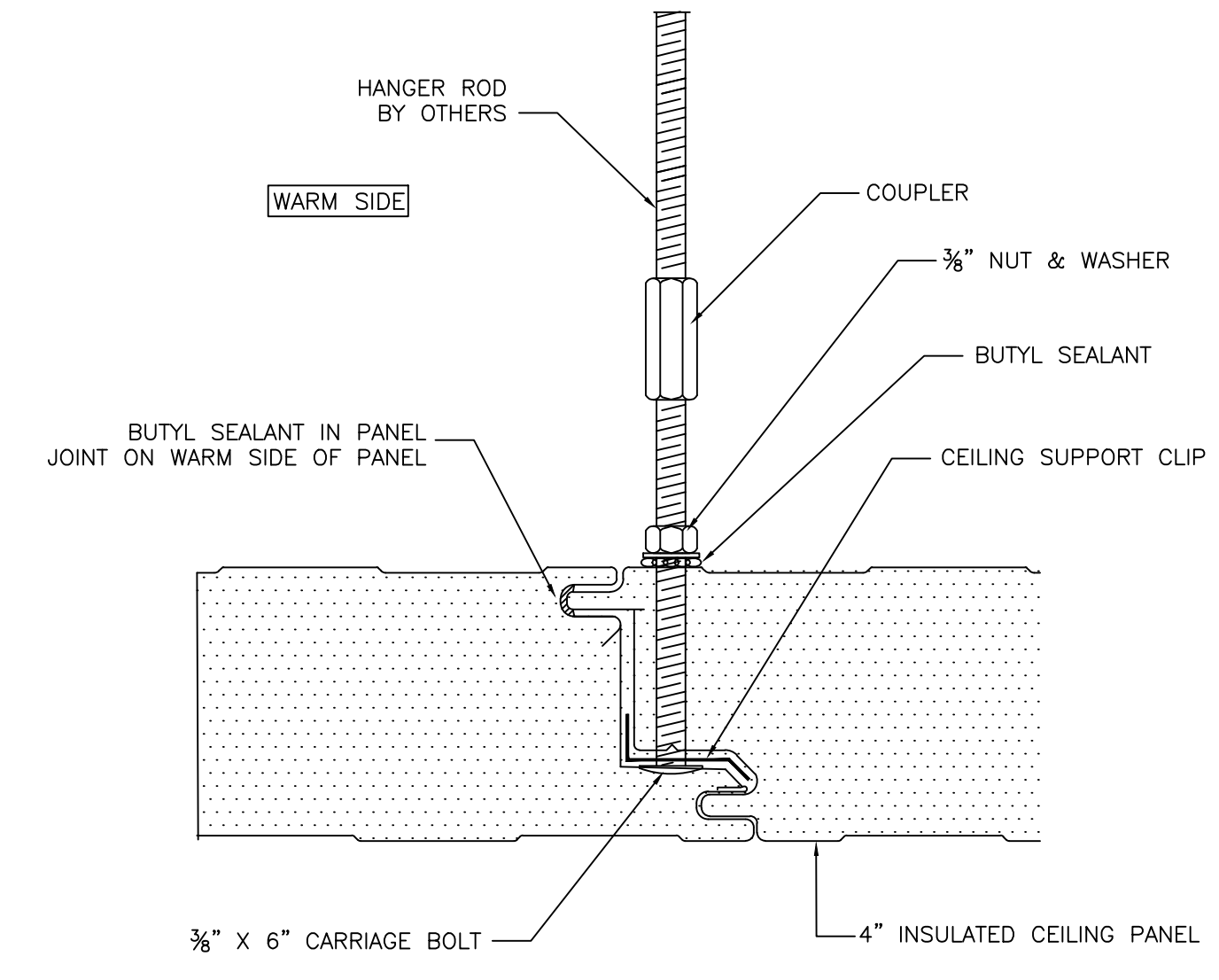


5
A300
CORNER DETAIL



6
A300
WALL / CEILING DETAIL

7
A300
NOT USED



8
A300
INTERMEDIATE CEILING SUPPORT

NO.	REVISION	BY	DATE

Barr Inc.
1423 Planeview Drive
Oshkosh, WI 54904
920-231-1711 Phone

20' x 30' x 12'-4"
Drive-In Freezer

TOLERANCES UNLESS SPECIFIED
FRACTIONAL DECIMAL ANGLE
X/X" ± 1/32" .XX ± .015 X° ± 0'30"
 .XXX ± .005 XXX' ± 0'05"
 .XXXX ± .001

Draftsman is not responsible for panel heights, quantities, and/or dimensions. Contractor to verify all information.

WALL DETAILS

DR. BY: KRZ
DATE: 8/30/2016
SCALE: NTS
CHECKED BY:
SHEET NO. A300