

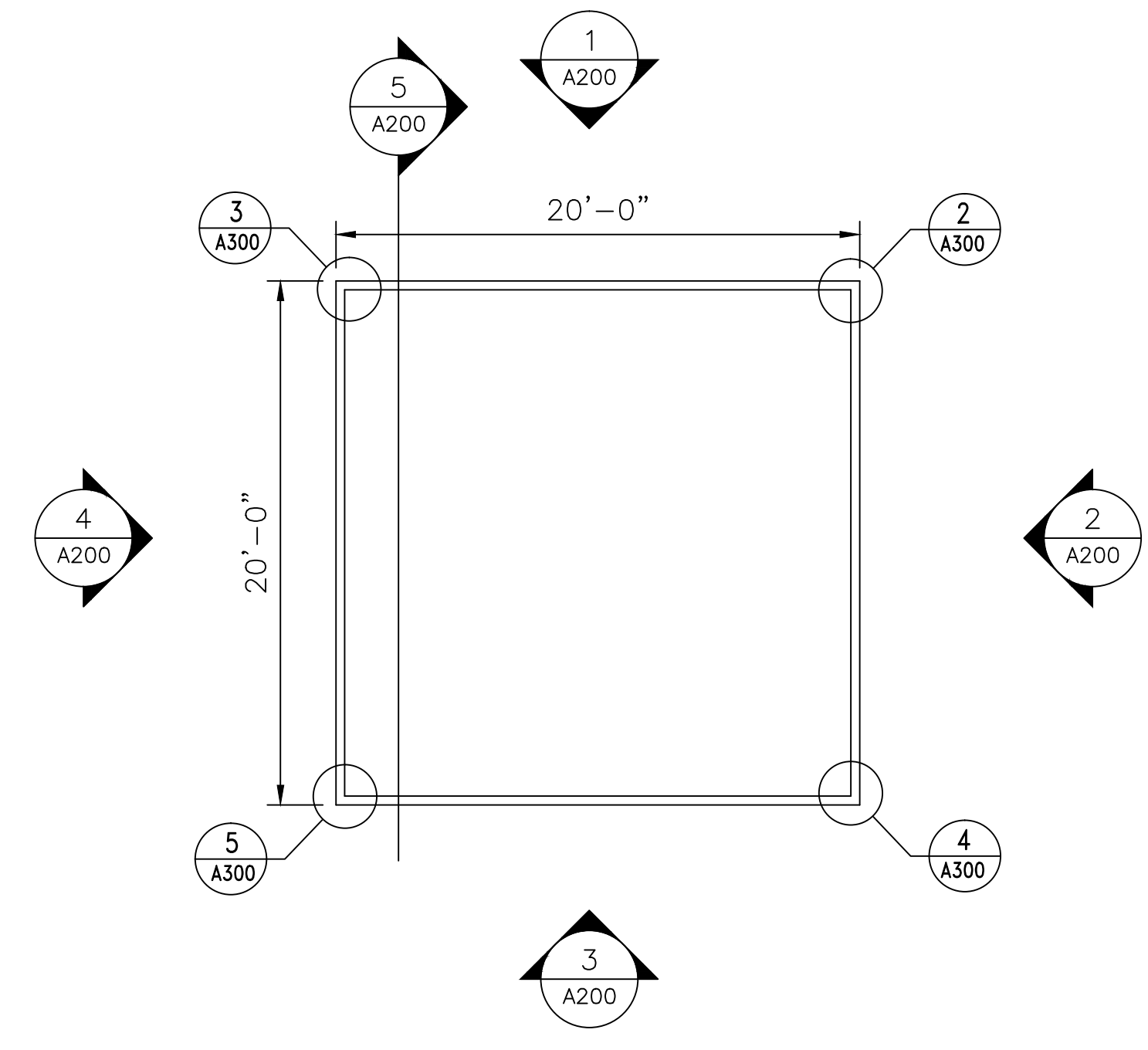
**Barr Inc.**  
 1423 Planeview Drive  
 Oshkosh, WI 54904  
 920-231-1711 Phone

**20' x 20' x 16'-4"**  
**Drive-In Freezer**

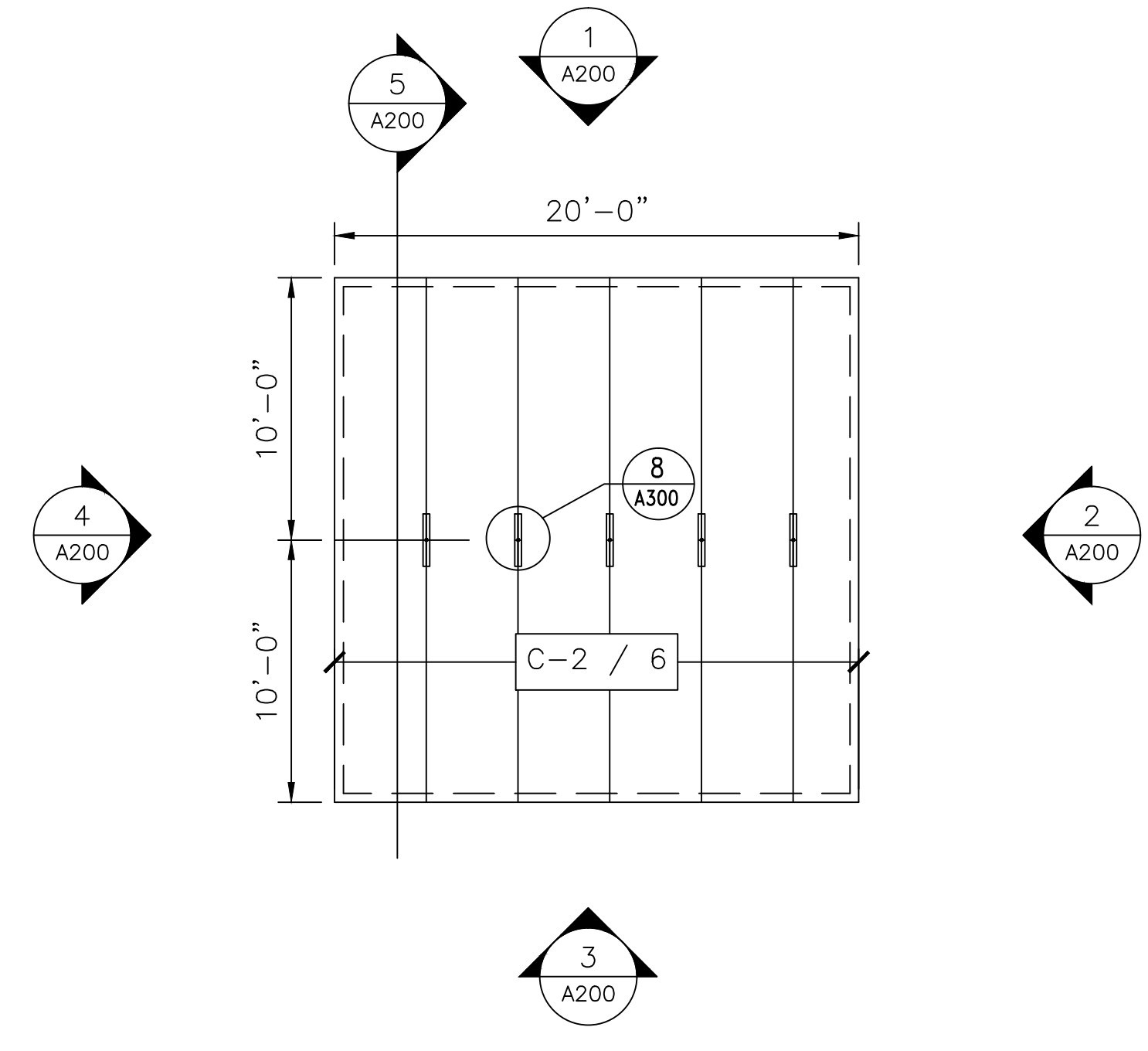
**DRAWING INDEX**

<b>T.1</b>	<b>TITLE SHEET</b>
<b>A100</b>	<b>FLOOR/CEILING PLAN</b>
<b>A200</b>	<b>INSULATED WALL PANEL ELEVATIONS</b>
<b>A300</b>	<b>INSULATED WALL PANEL DETAILS</b>

TITLE	20' x 20' x 16'-4" Drive-In Freezer
<small>           TOLERANCES UNLESS SPECIFIED            FRACTIONAL    .XX    ± 1/32"    .XXX    ± .005    .XXXX    ± .001            DECIMAL        .015    ±    .005    ±    .001            ANGLE            X'    ± 0'30"                              XXX' ± 0'05"         </small>	
<small>           Draftsman is not responsible for panel heights, quantities and / or dimensions. Contractor to verify all information.         </small>	
DR.BY: KRZ DATE: 8/30/2016 SCALE: NTS CHECKED BY: SHEET NO. T.1	
Barr Inc. 1423 Planeview Drive Oshkosh, WI 54904 920-231-1711 Phone	
REVISION BY    DATE	



1 FLOOR PLAN  
A100 SCALE: N.T.S.



2 CEILING PLAN  
A100 SCALE: N.T.S.

PANEL SCHEDULE

PANEL DESIG.	PANEL HEIGHT	QTY OF PANELS	PANEL THICK	PANEL SERIES	PANEL COLOR
W-1	16'-0"	24	4"	MESALINE	USDA WHITE
C-2	20'-0"	6	4"	MESALINE	USDA WHITE

REVISION	BY	DATE

Barr Inc.  
1423 Planeview Drive  
Oshkosh, WI 54904  
920-231-1711 Phone

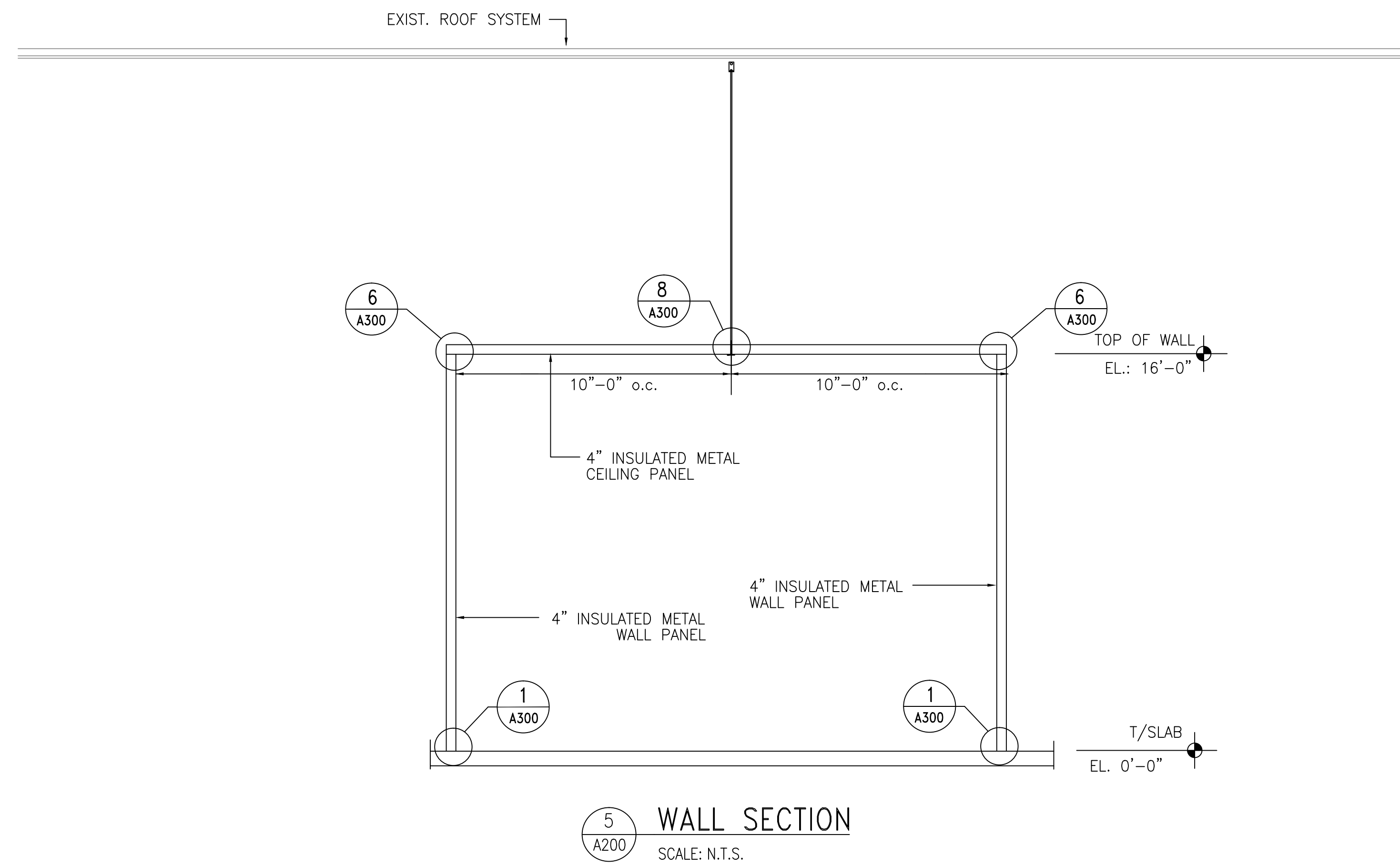
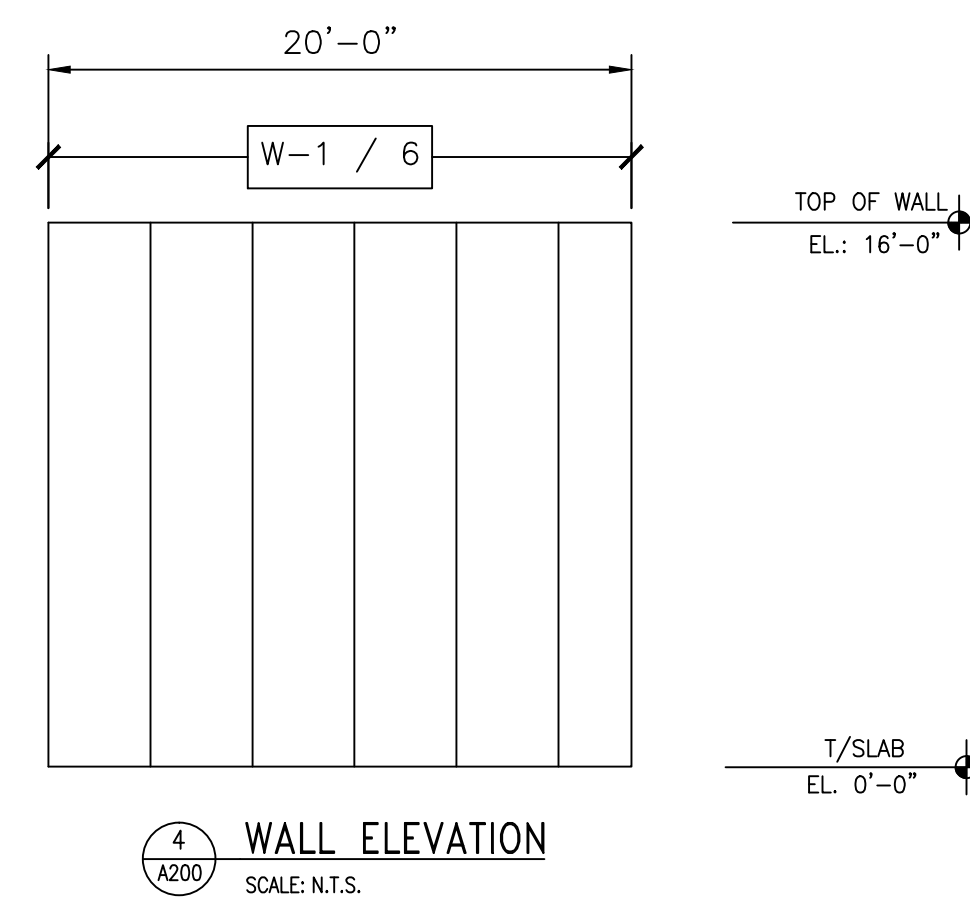
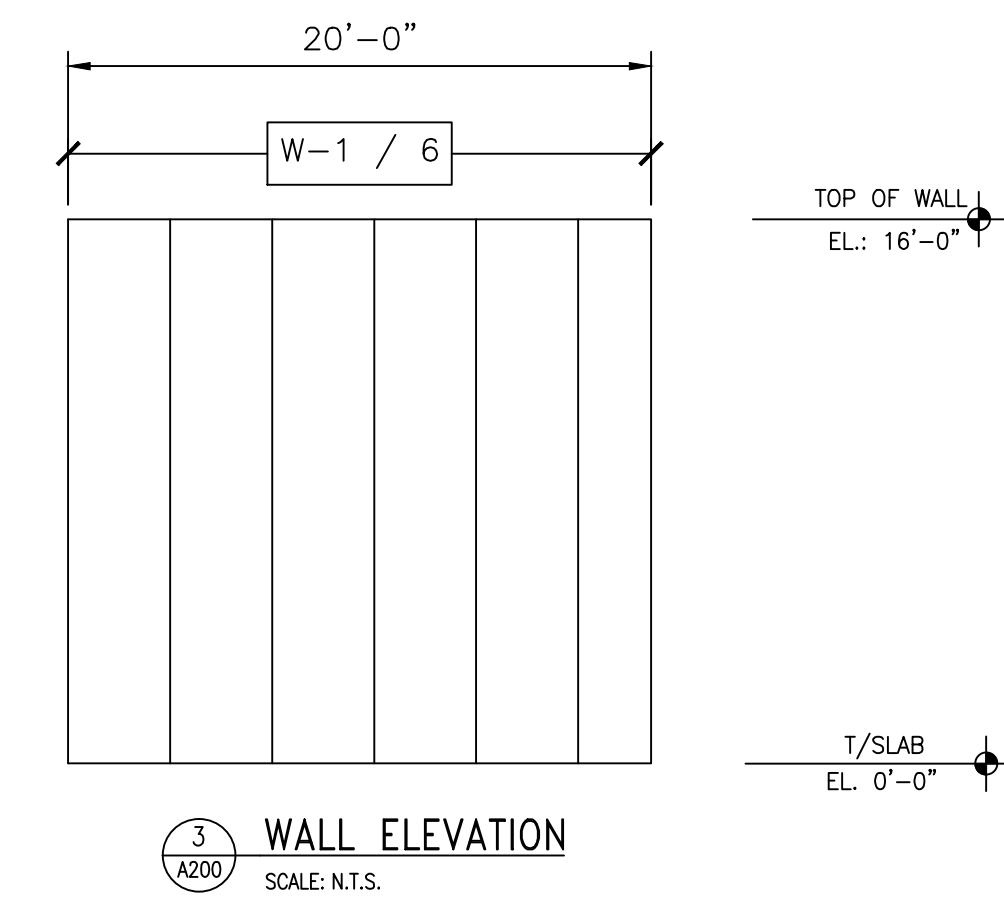
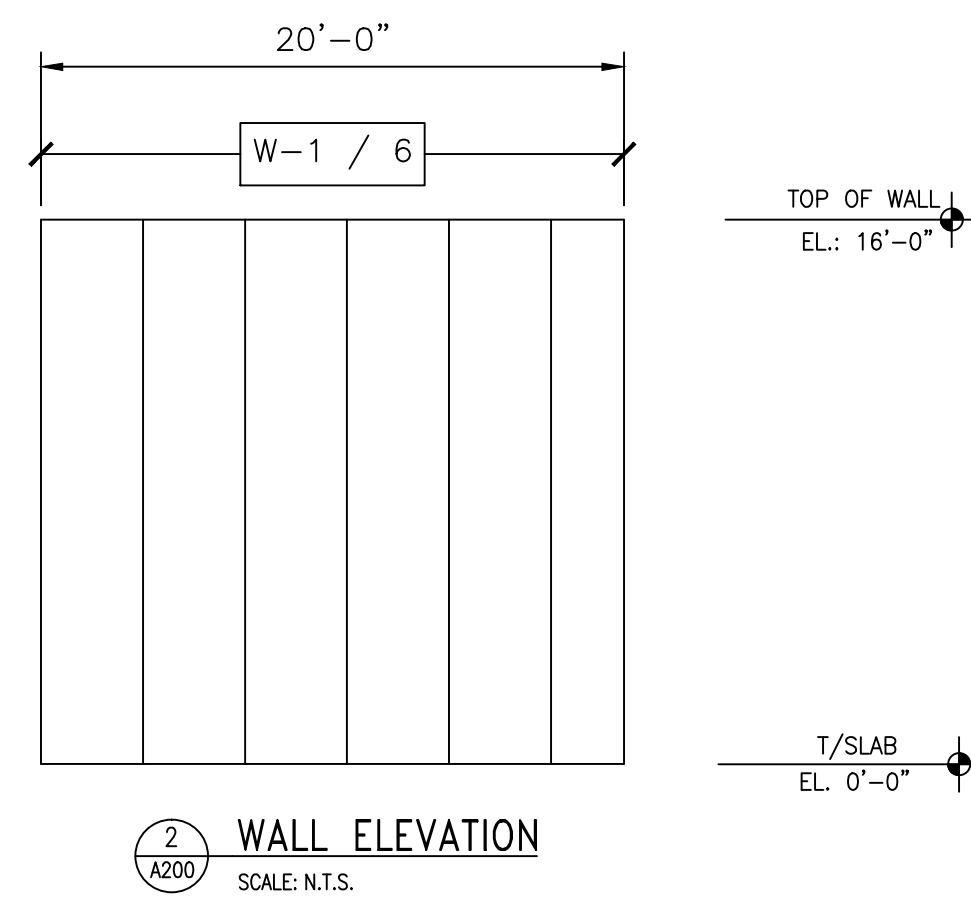
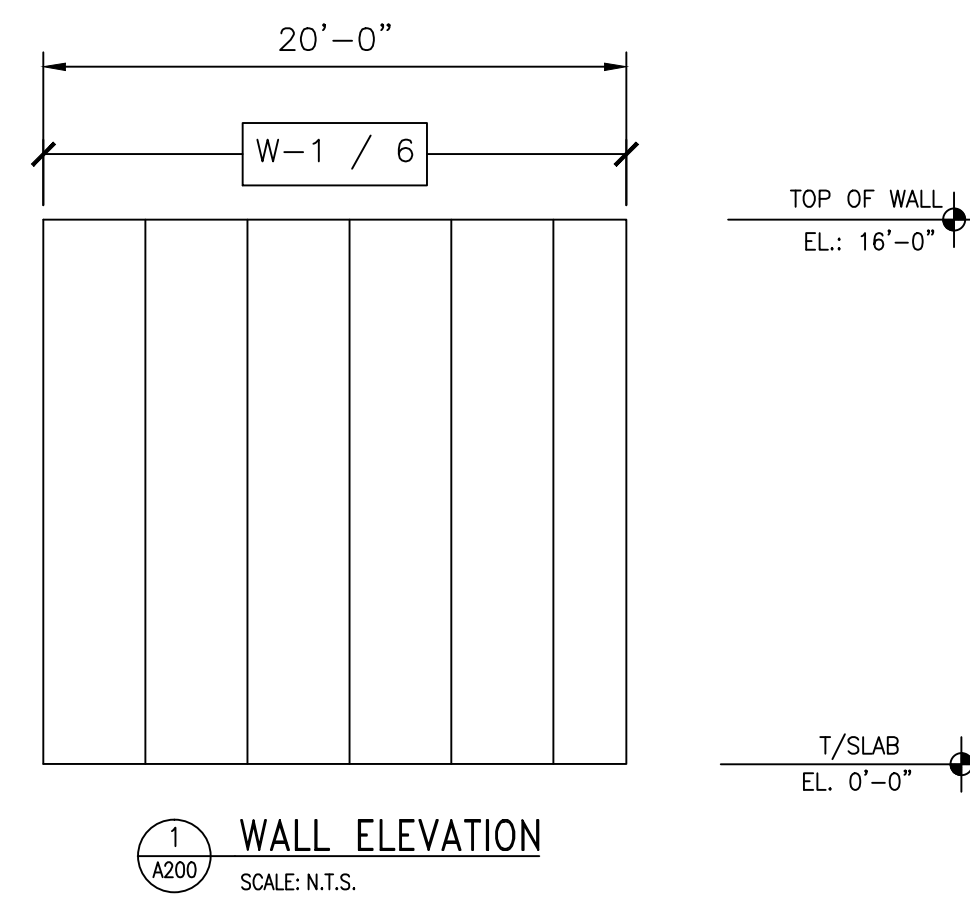
20' x 20' x 16'-4"  
Drive-In Freezer

TOLERANCES UNLESS SPECIFIED  
 FRACTIONAL X/X" ± 1/32"  
 DECIMAL .XX ± .015  
 .XXX ± .005  
 .XXXX ± .001  
 ANGLE X° ± 0°30'  
 XXX' ± 0°05'

Draftsman is not responsible for panel heights, quantities and / or dimensions. Contractor to verify all information.

FLOOR PLAN

DR.BY: KRZ  
 DATE: 8/30/2016  
 SCALE: NTS  
 CHECKED BY:  
 SHEET NO. A100



PANEL SCHEDULE

PANEL DESIG.	PANEL HEIGHT	QTY OF PANELS	PANEL THICK	PANEL SERIES	PANEL COLOR
W-1	16'-0"	24	4"	MESALINE	USDA WHITE
C-2	20'-0"	6	4"	MESALINE	USDA WHITE

NO.	REVISION	BY	DATE

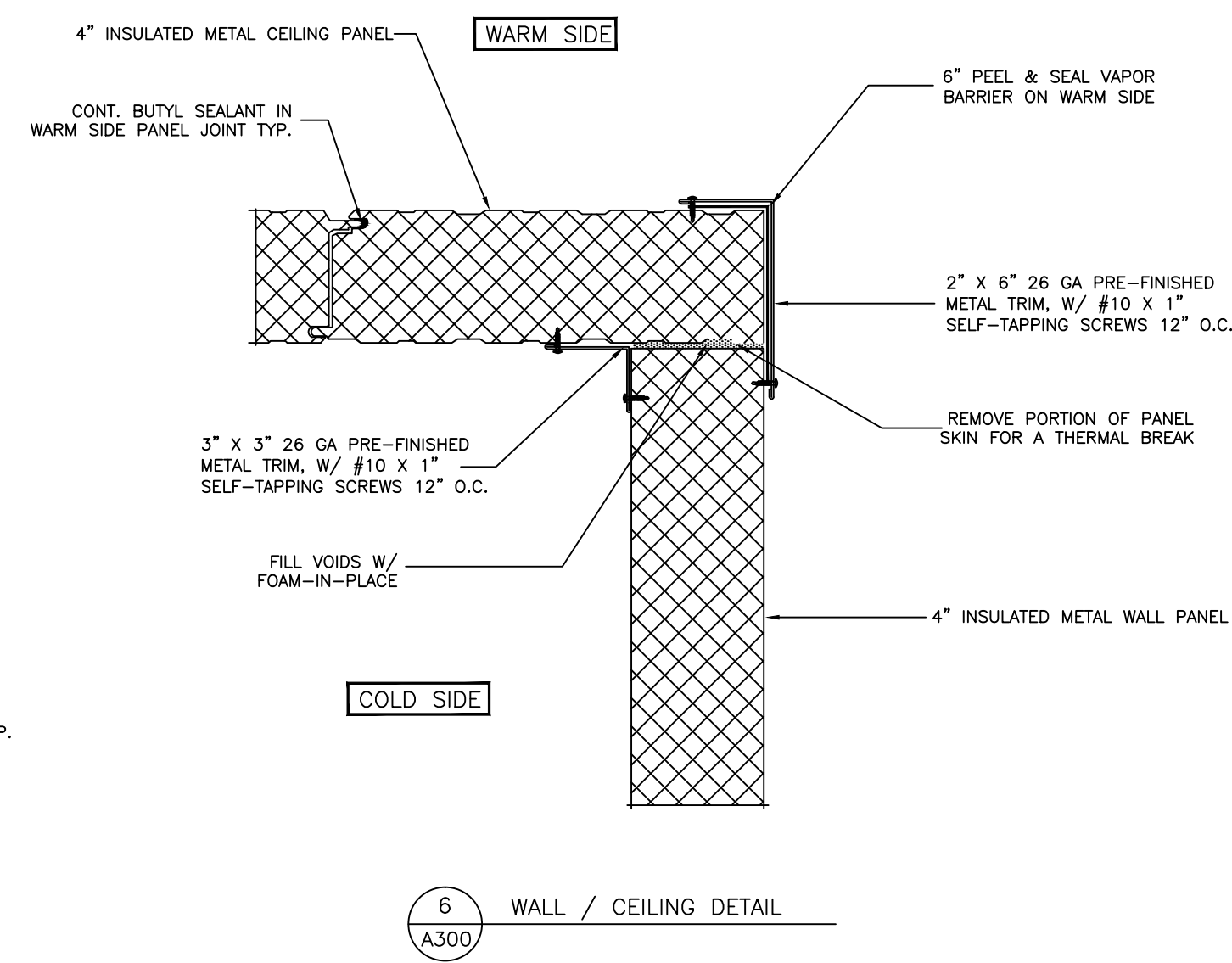
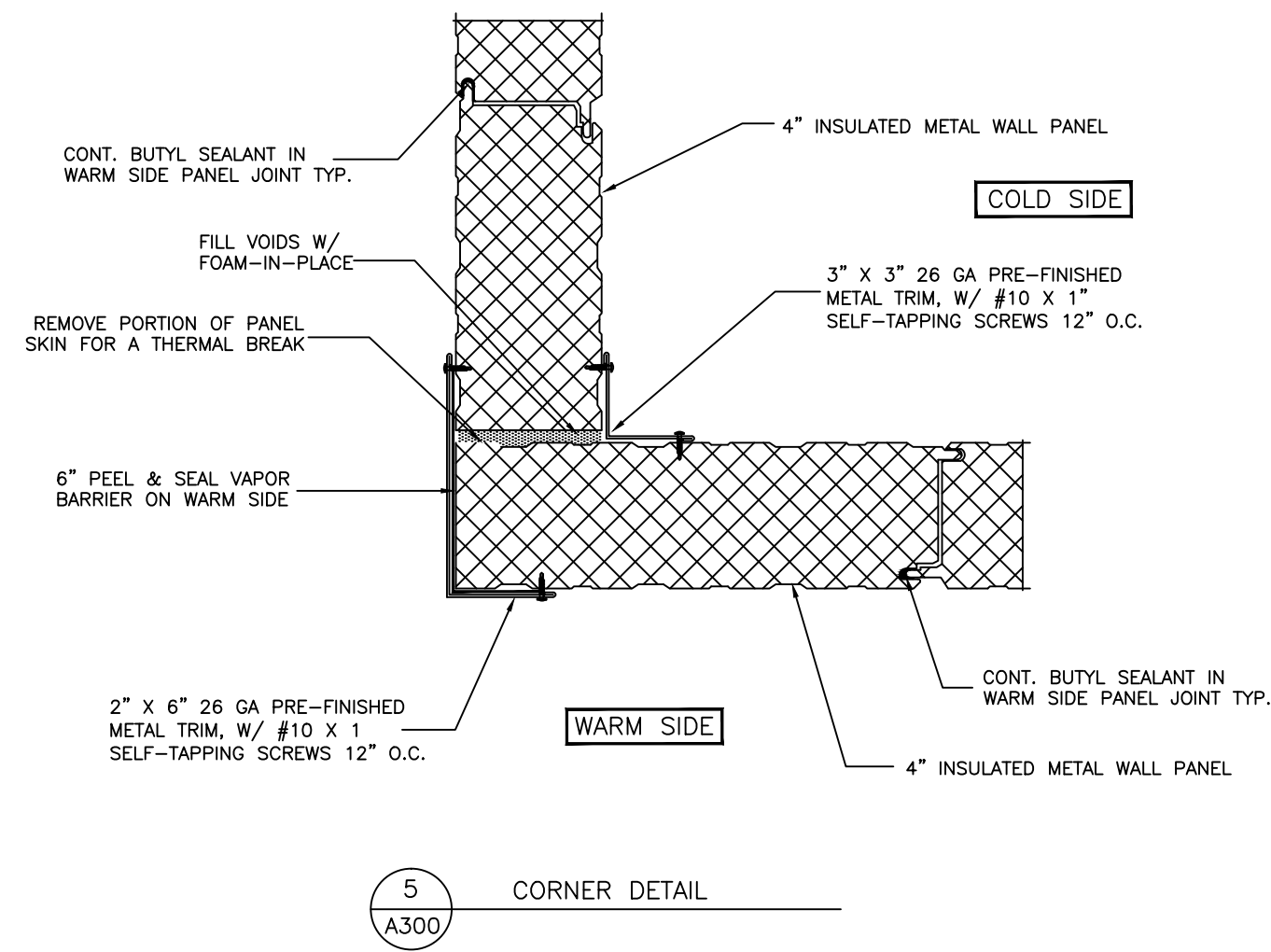
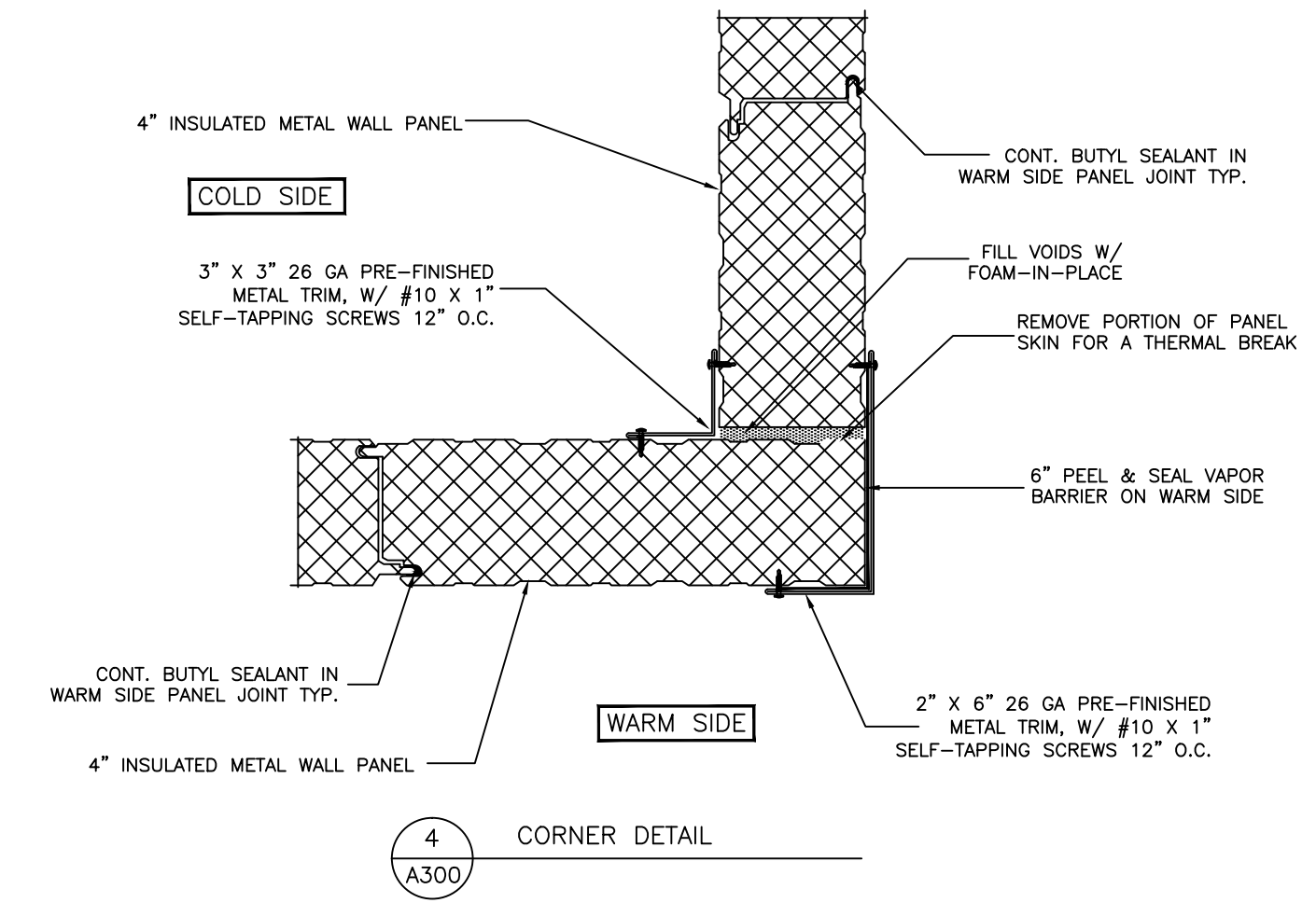
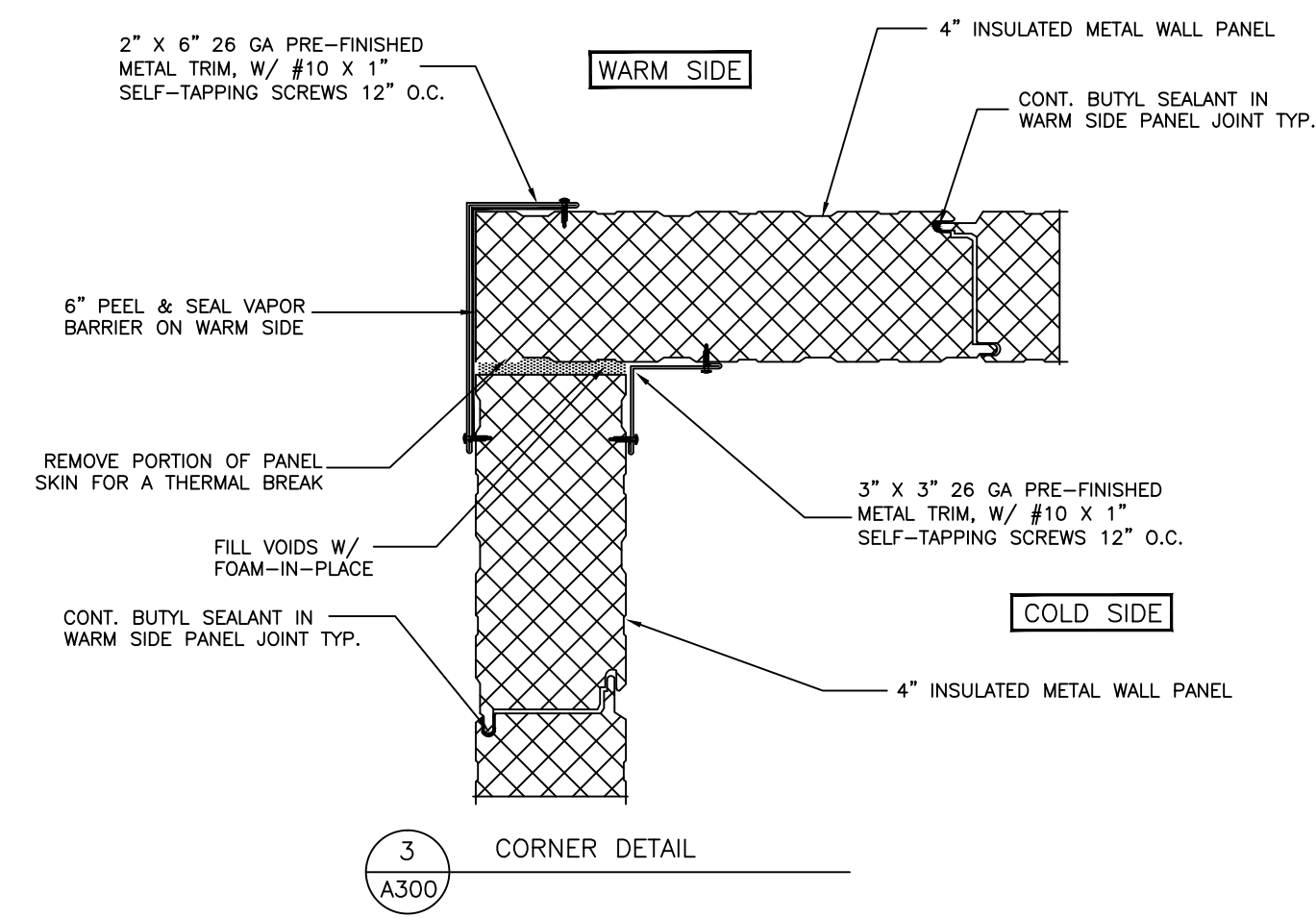
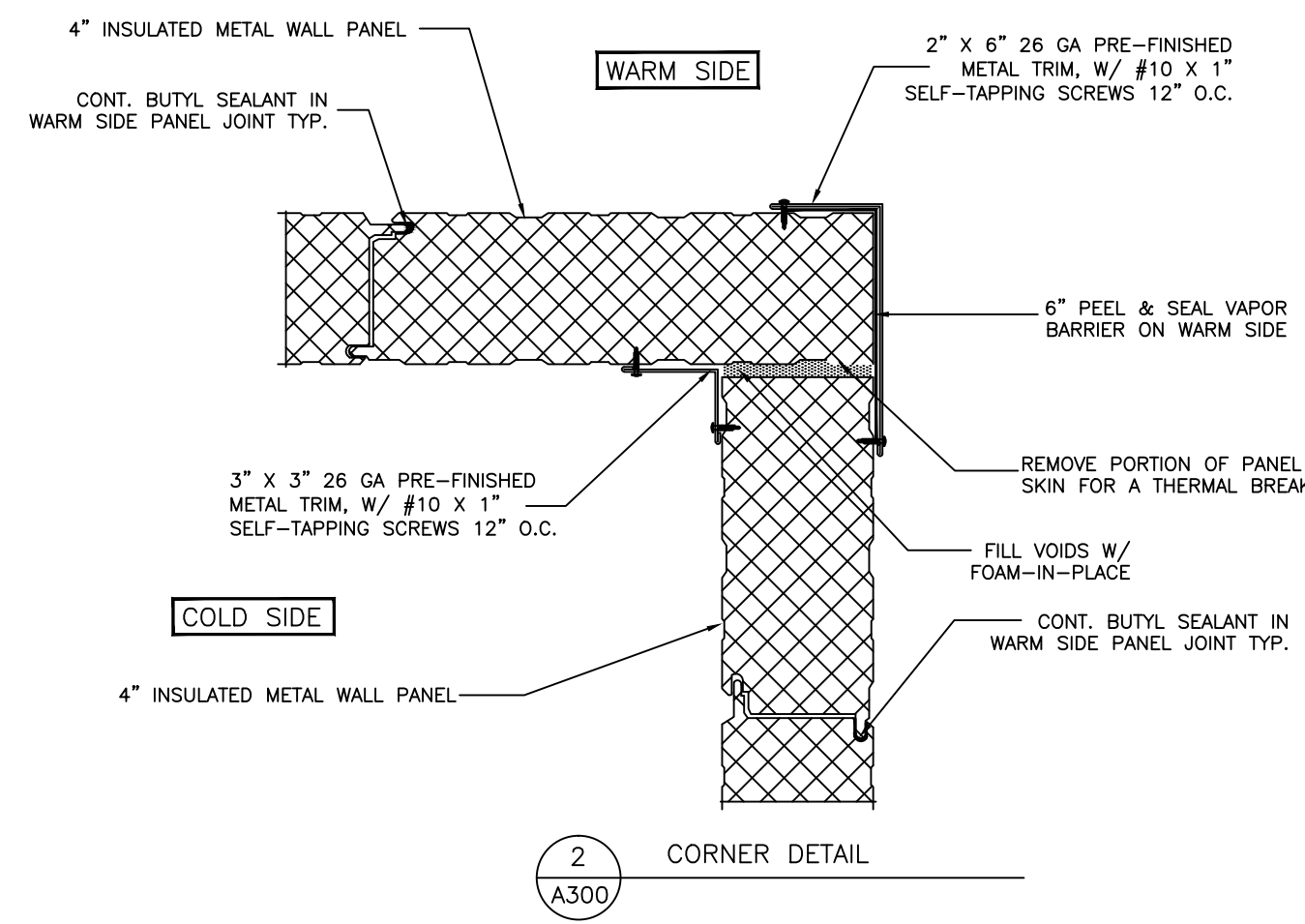
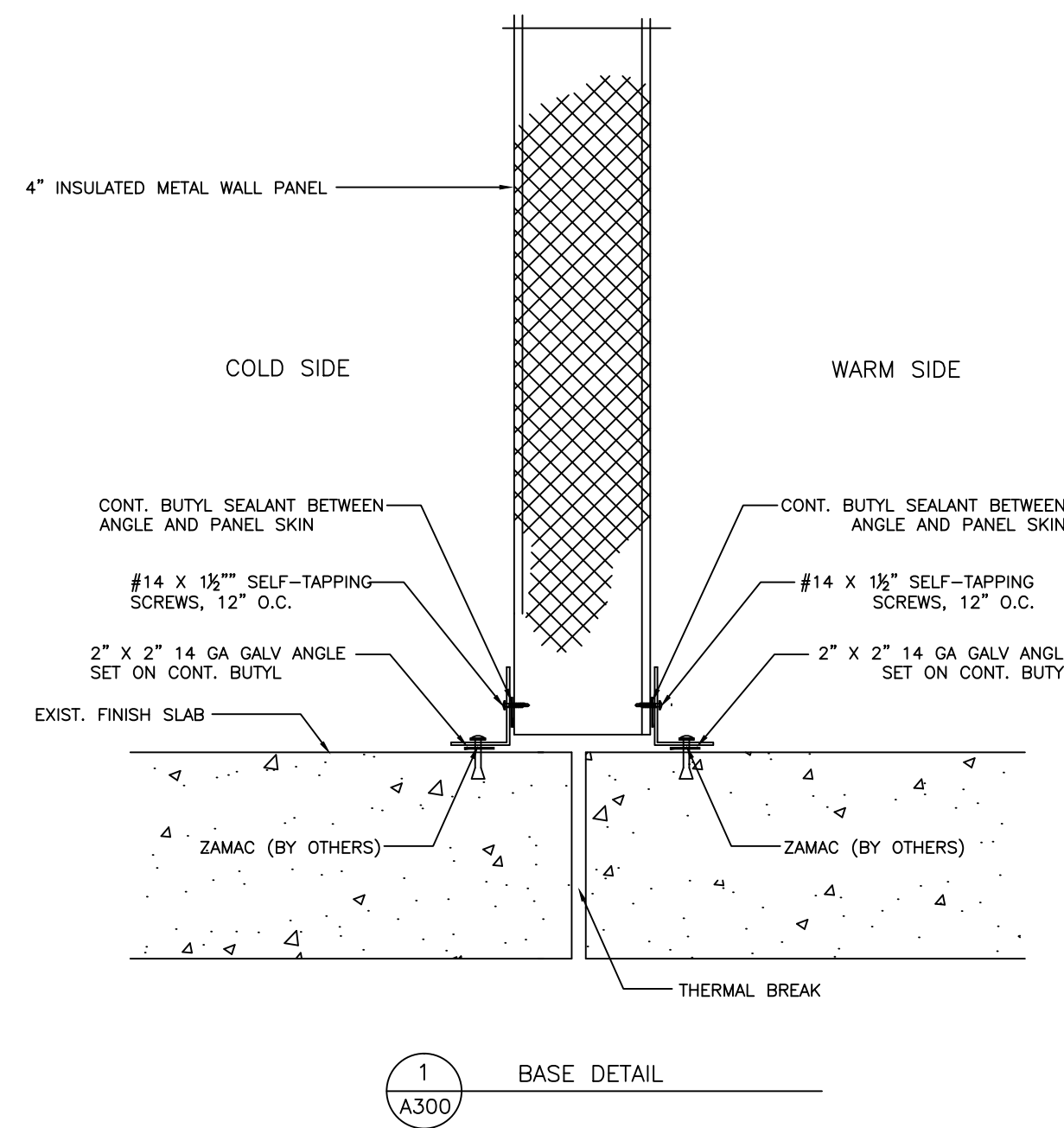
Barr Inc.  
1423 Planeview Drive  
Oshkosh, WI 54904  
920-231-1711 Phone

20' x 20' x 16'-4"  
Drive-In Freezer

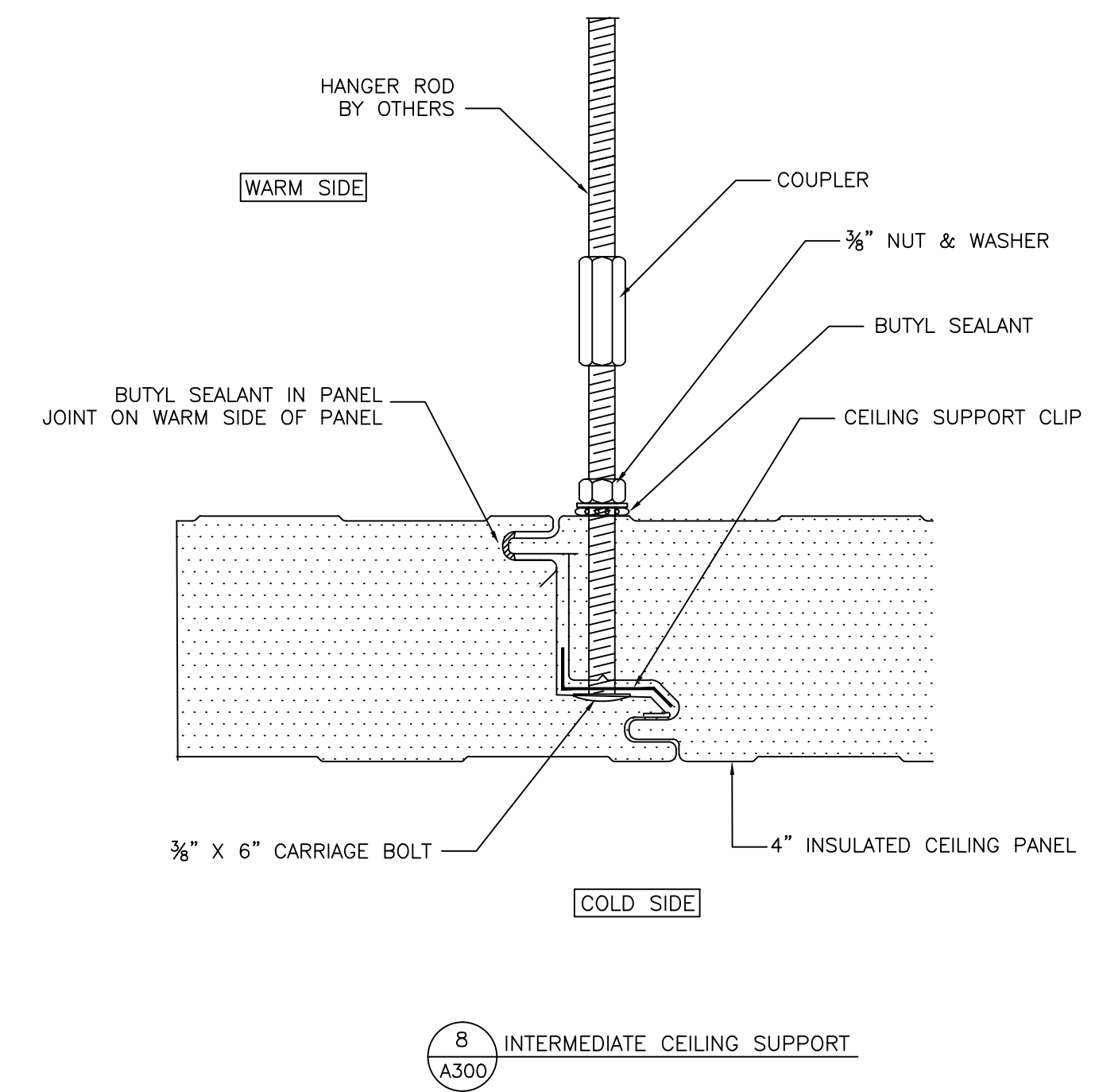
TOLERANCES UNLESS SPECIFIED  
FRACTIONAL .XX ± 1/32"  
DECIMAL .015 ± .005  
" ° ± 0'30"  
ANGLE ° ± 0'05"  
DRAFTSMAN IS NOT RESPONSIBLE FOR PANEL HEIGHTS, QUANTITIES AND/OR DIMENSIONS. CONTRACTOR TO VERIFY ALL INFORMATION.

WALL ELEVATIONS

DR. BY: KRZ  
DATE: 8/30/2016  
SCALE: NTS  
CHECKED BY:  
SHEET NO. A200



7  
A300 NOT USED



NO.	REVISION	BY	DATE

**Barr Inc.**  
1423 Planeview Drive  
Oshkosh, WI 54904  
920-231-1711 Phone

**20' x 20' x 16'-4"**  
Drive-In Freezer

TOLERANCES UNLESS SPECIFIED  
FRACTIONAL DECIMAL ANGLE  
X/X" ± 1/32" .015 X ± 0'30"  
.XX ± .005 .XXX ± .005 .XXX ± .005  
.XXXX ± .001 .XXXX ± .001

Draftsman is not responsible for panel heights, quantities and/or dimensions. Contractor to verify all information.

WALL DETAILS

DR.BY: KRZ  
DATE: 8/30/2016  
SCALE: NTS  
CHECKED BY:  
SHEET NO. A300