

Barr Inc.
 1423 Planeview Drive
 Oshkosh, WI 54904
 920-231-1711 Phone

20' x 20' x 8'-4"
 Drive-In Freezer

DRAWING INDEX

- T.1 TITLE SHEET
- A100 FLOOR/CEILING PLAN
- A200 INSULATED WALL PANEL ELEVATIONS
- A300 INSULATED WALL PANEL DETAILS

REVISION	BY	DATE

Barr Inc.
 1423 Planeview Drive
 Oshkosh, WI 54904
 920-231-1711 Phone

20' x 20' x 8'-4"
 Drive-In Freezer

TOLERANCES UNLESS SPECIFIED
 FRACTIONAL X/X" ± 1/32"
 DECIMAL .XX ± .015
 .XXX ± .005
 .XXXX ± .001
 ANGLE X' ± 0'30"
 XXX' ± 0'05"
 Draftsman is not responsible for panel heights, quantities and / or dimensions. Contractor to verify all information.

TITLE

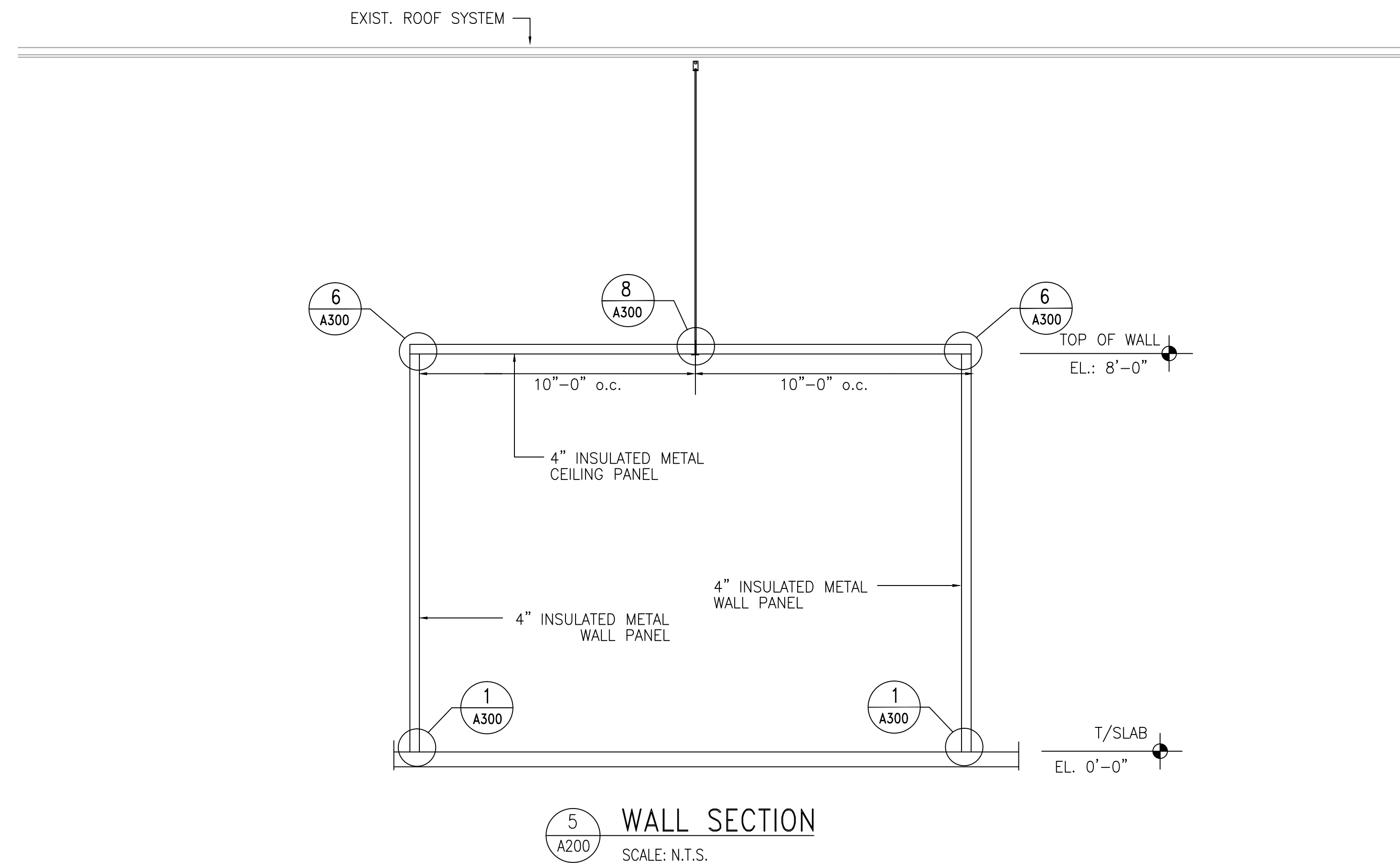
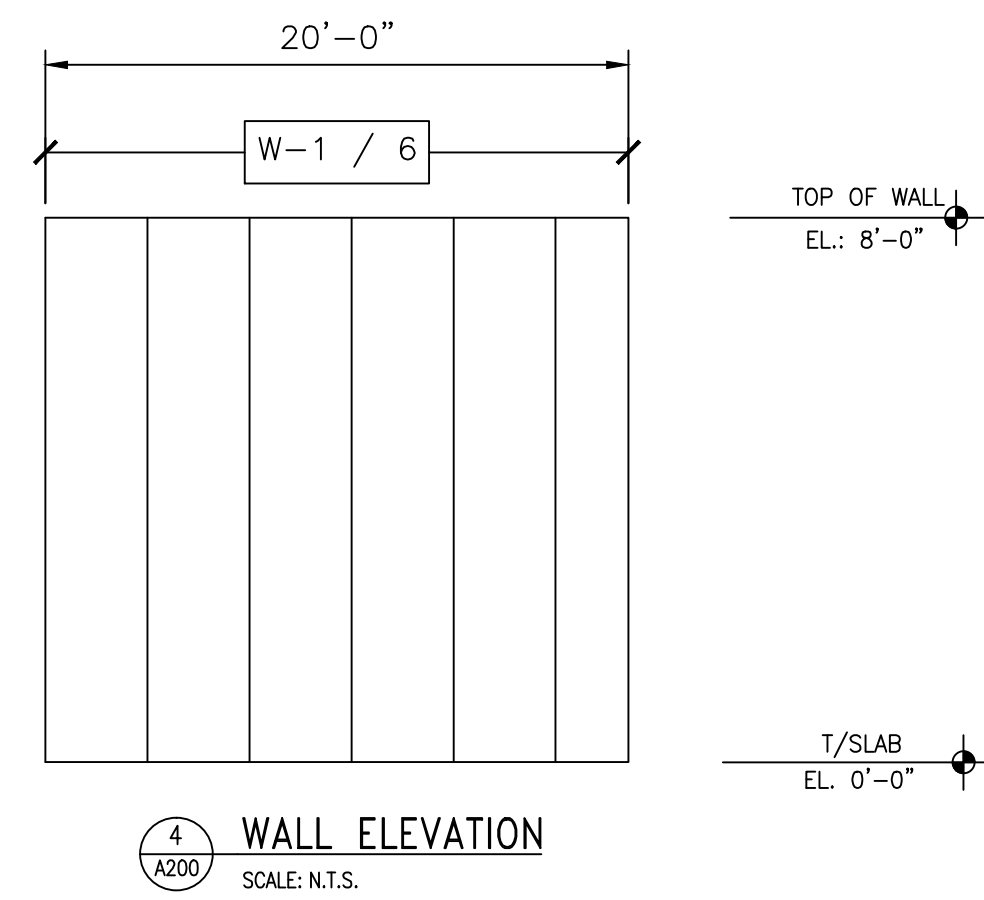
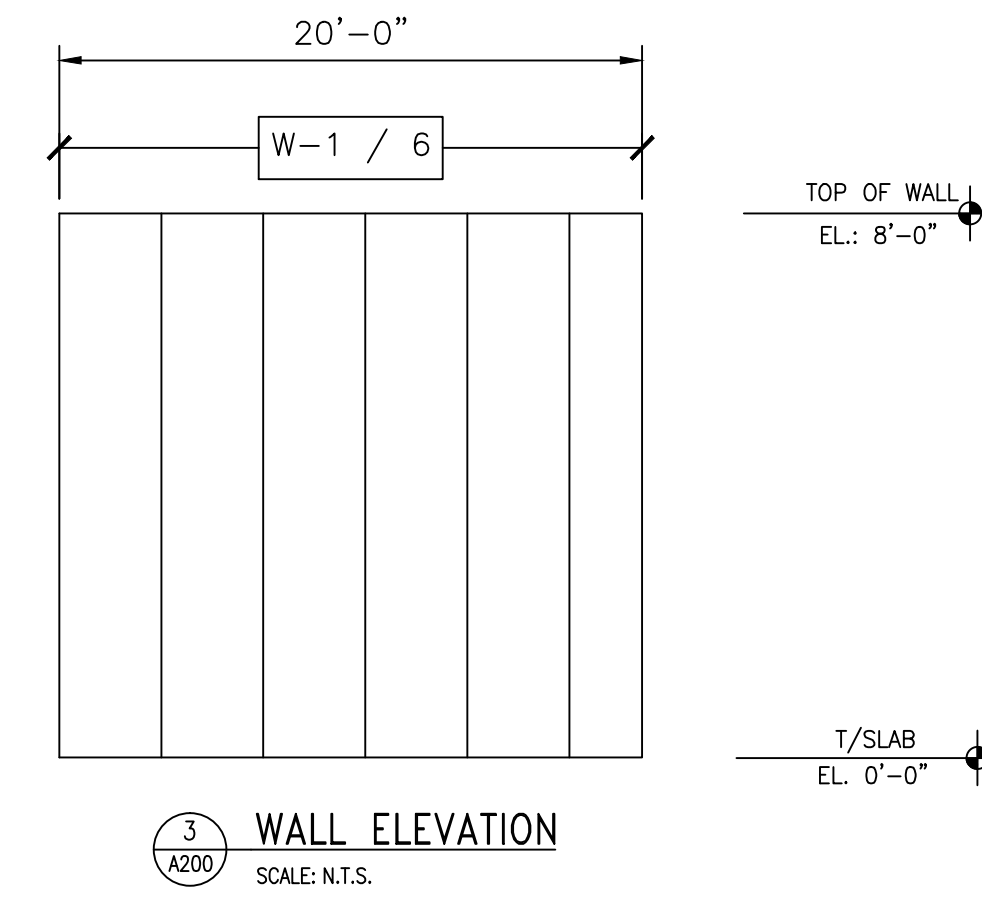
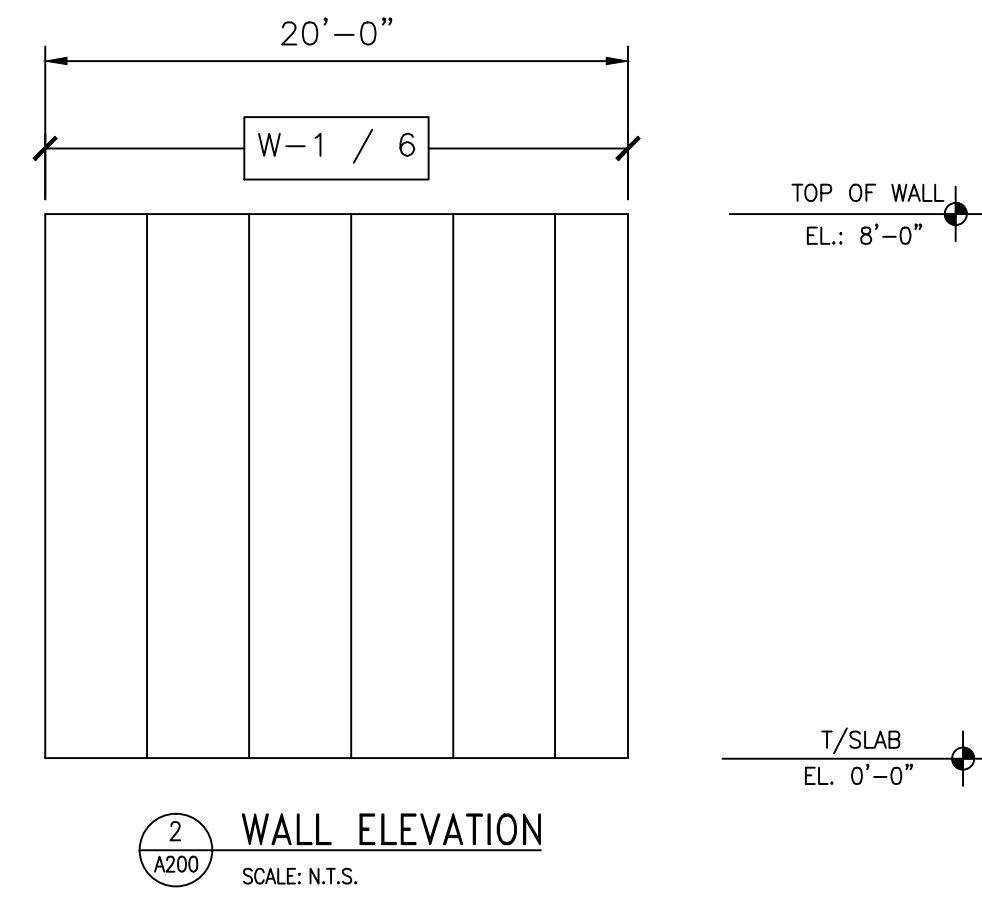
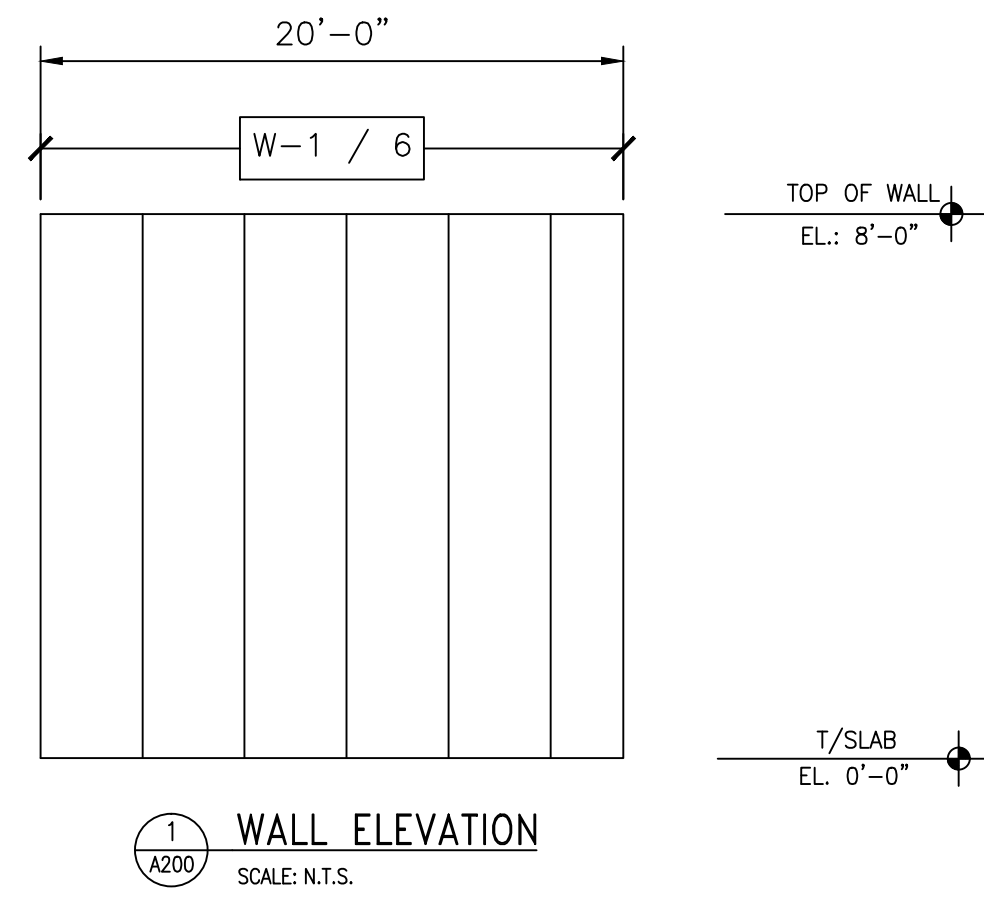
DR.BY: KRZ

DATE: 8/30/2016

SCALE: NTS

CHECKED BY:

SHEET NO.
 T.1



PANEL SCHEDULE

PANEL DESIG.	PANEL HEIGHT	QTY. OF PANELS	PANEL THICK	PANEL SERIES	PANEL COLOR
W-1	8'-0"	24	4"	MESALINE	USDA WHITE
C-2	20'-0"	6	4"	MESALINE	USDA WHITE

NO.	REVISION	BY	DATE

Barr Inc.
1423 Planeview Drive
Oshkosh, WI 54904
920-231-1711 Phone

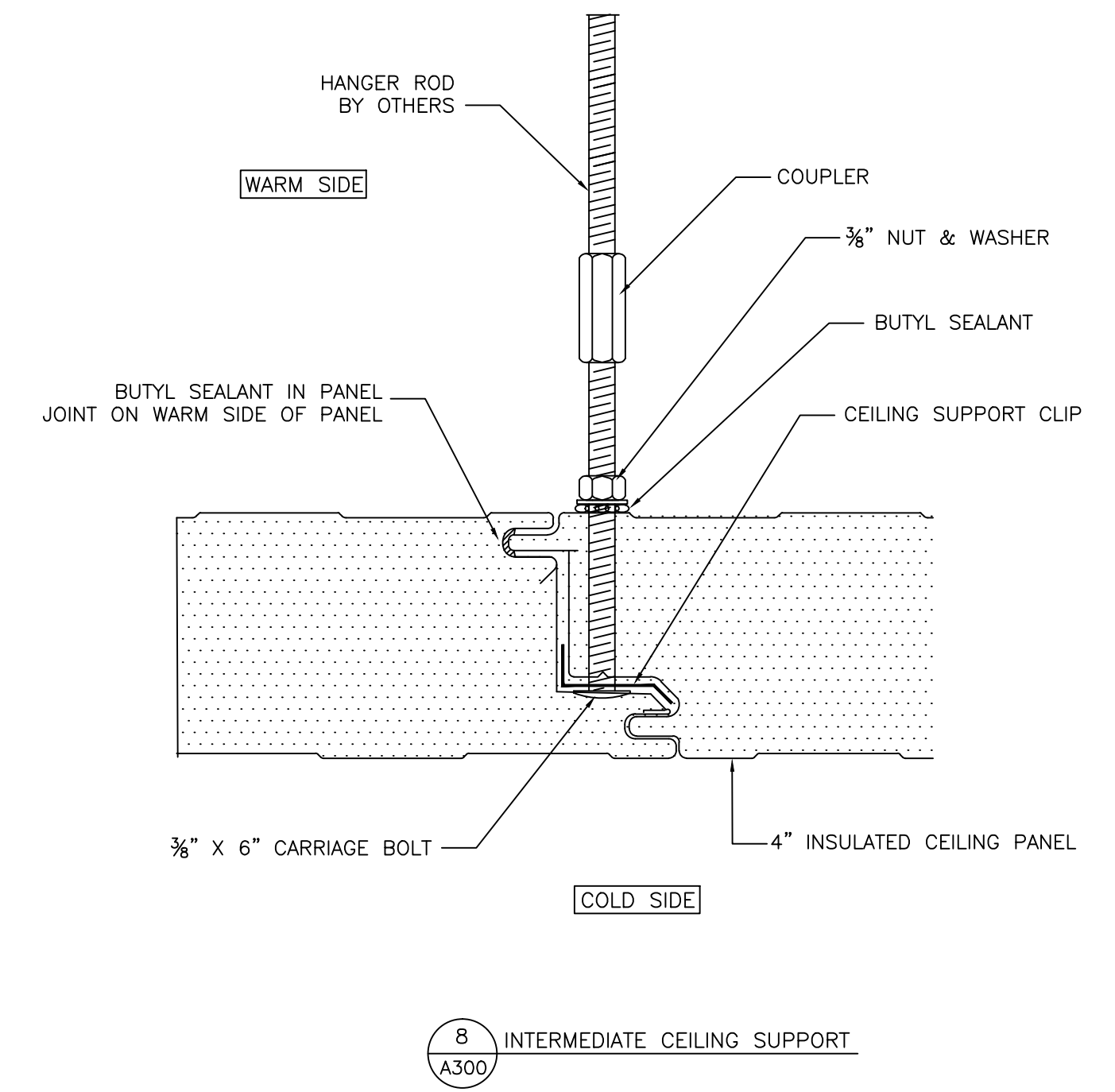
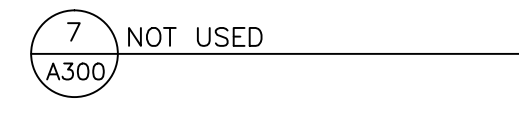
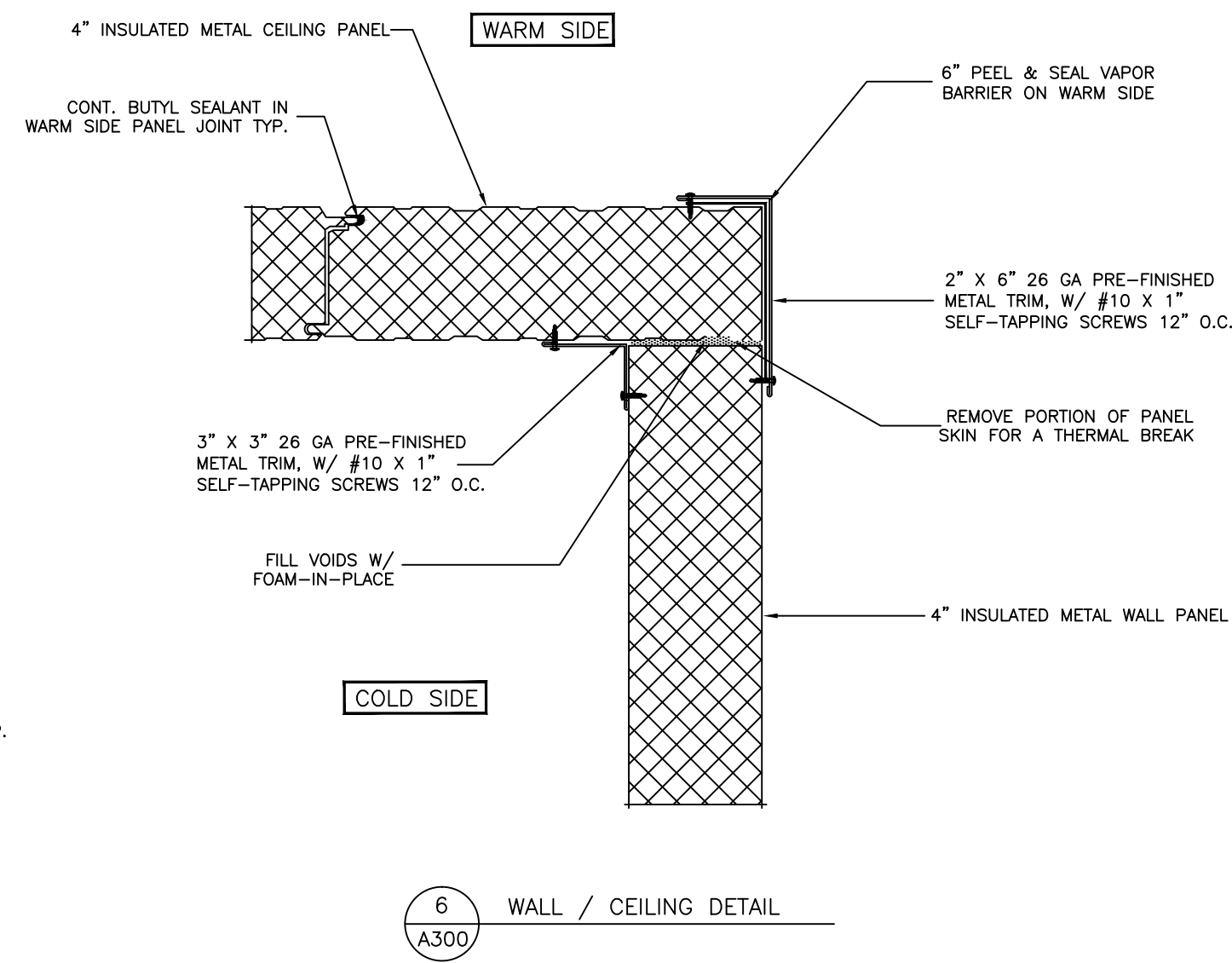
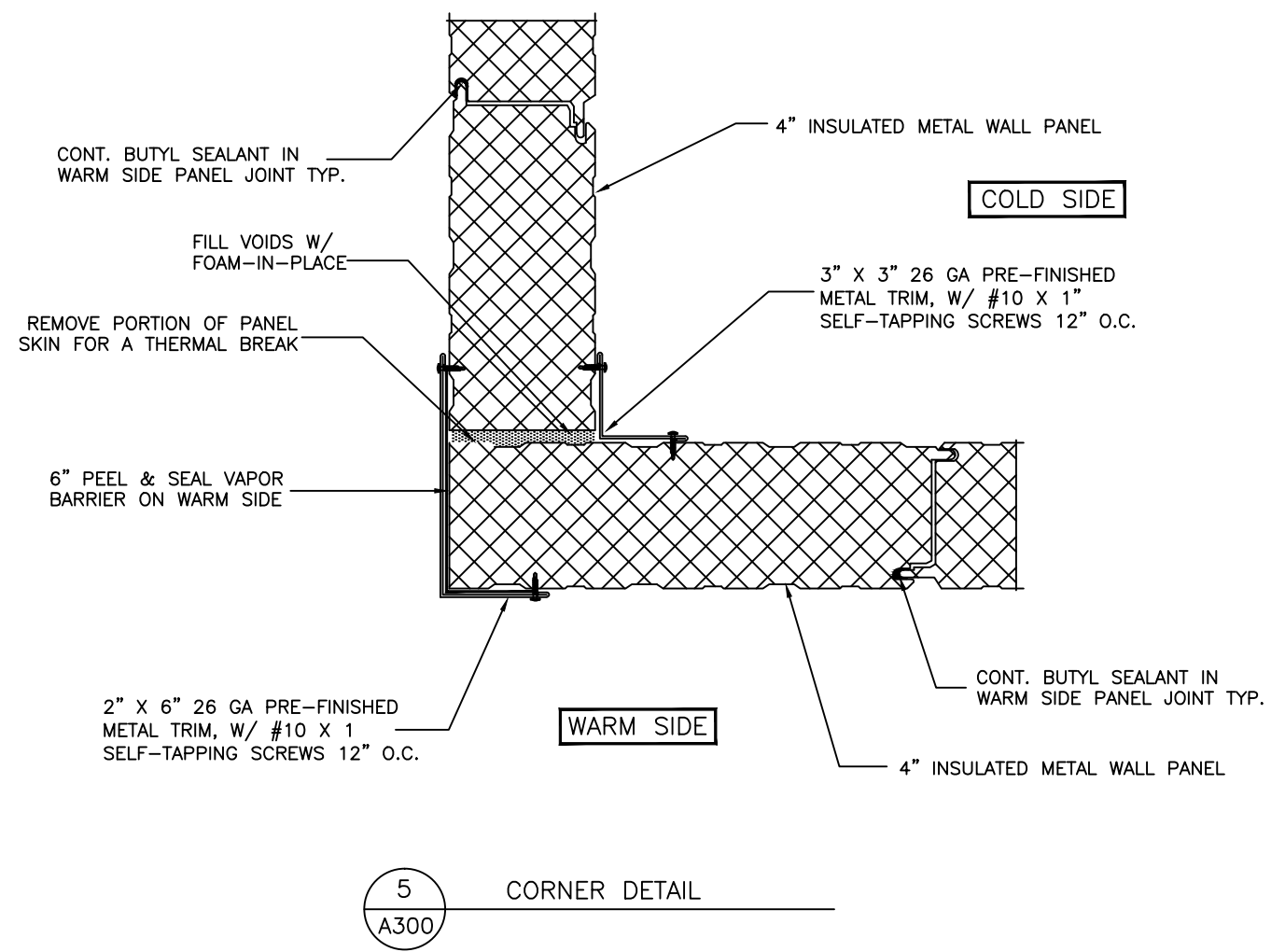
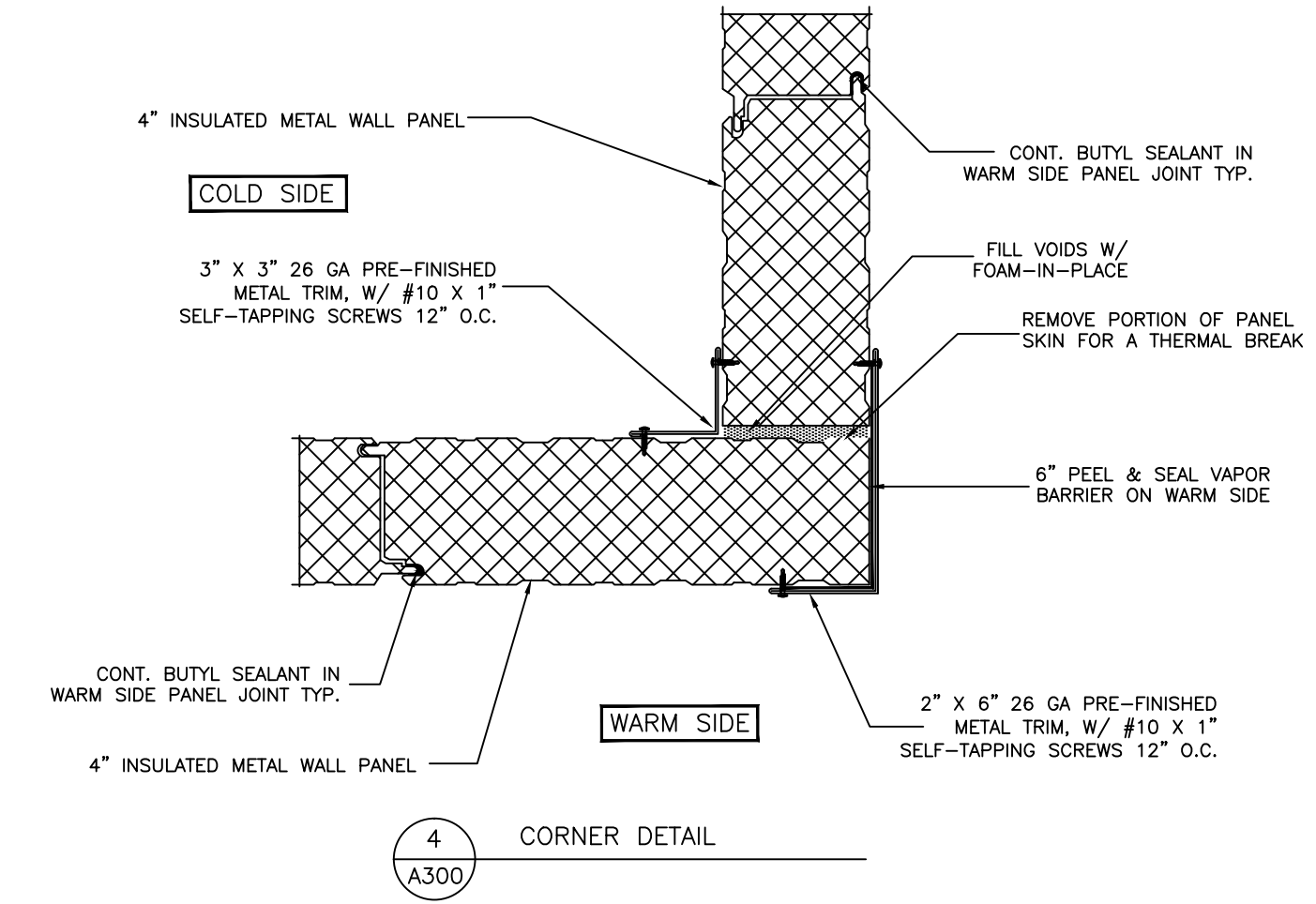
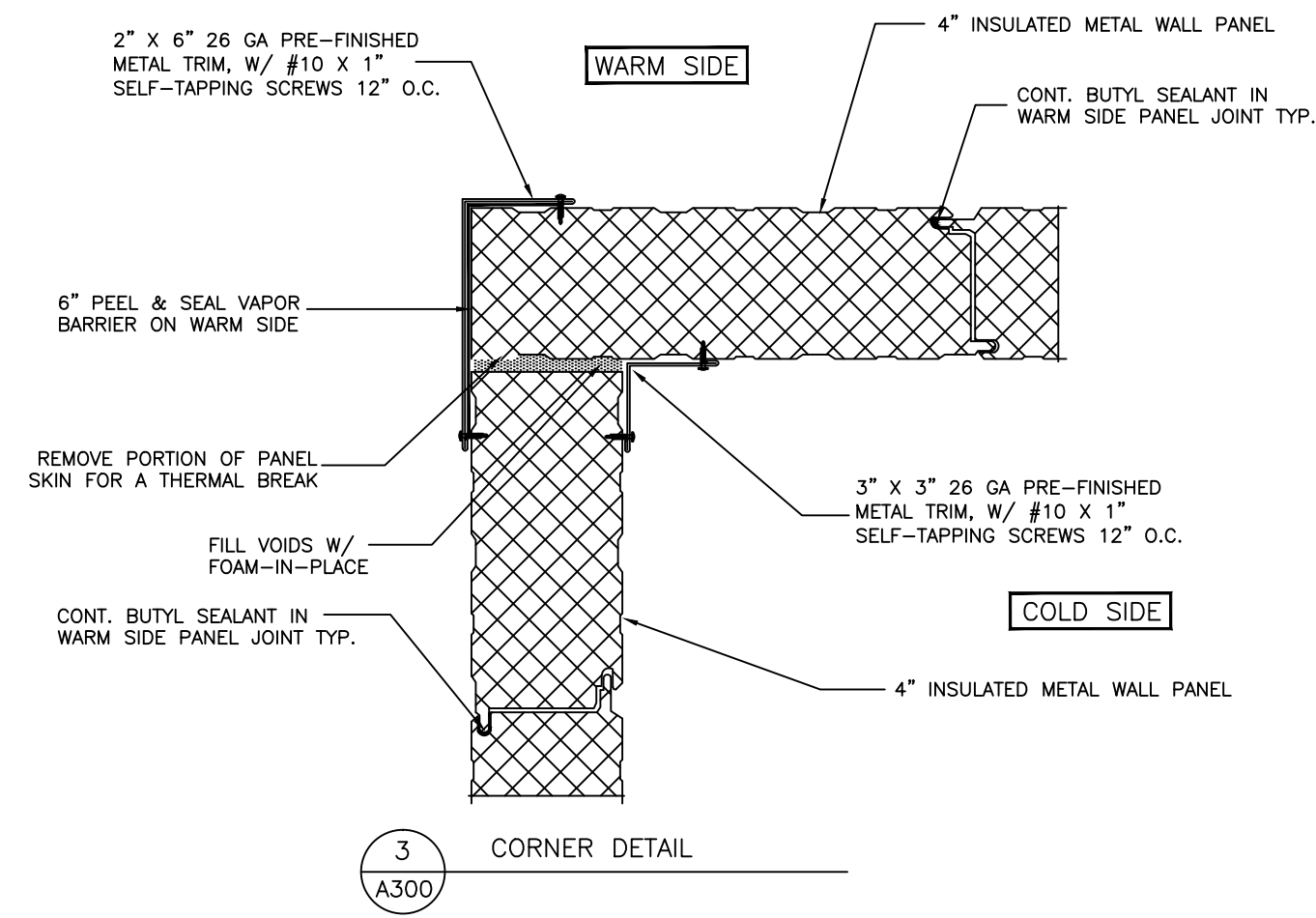
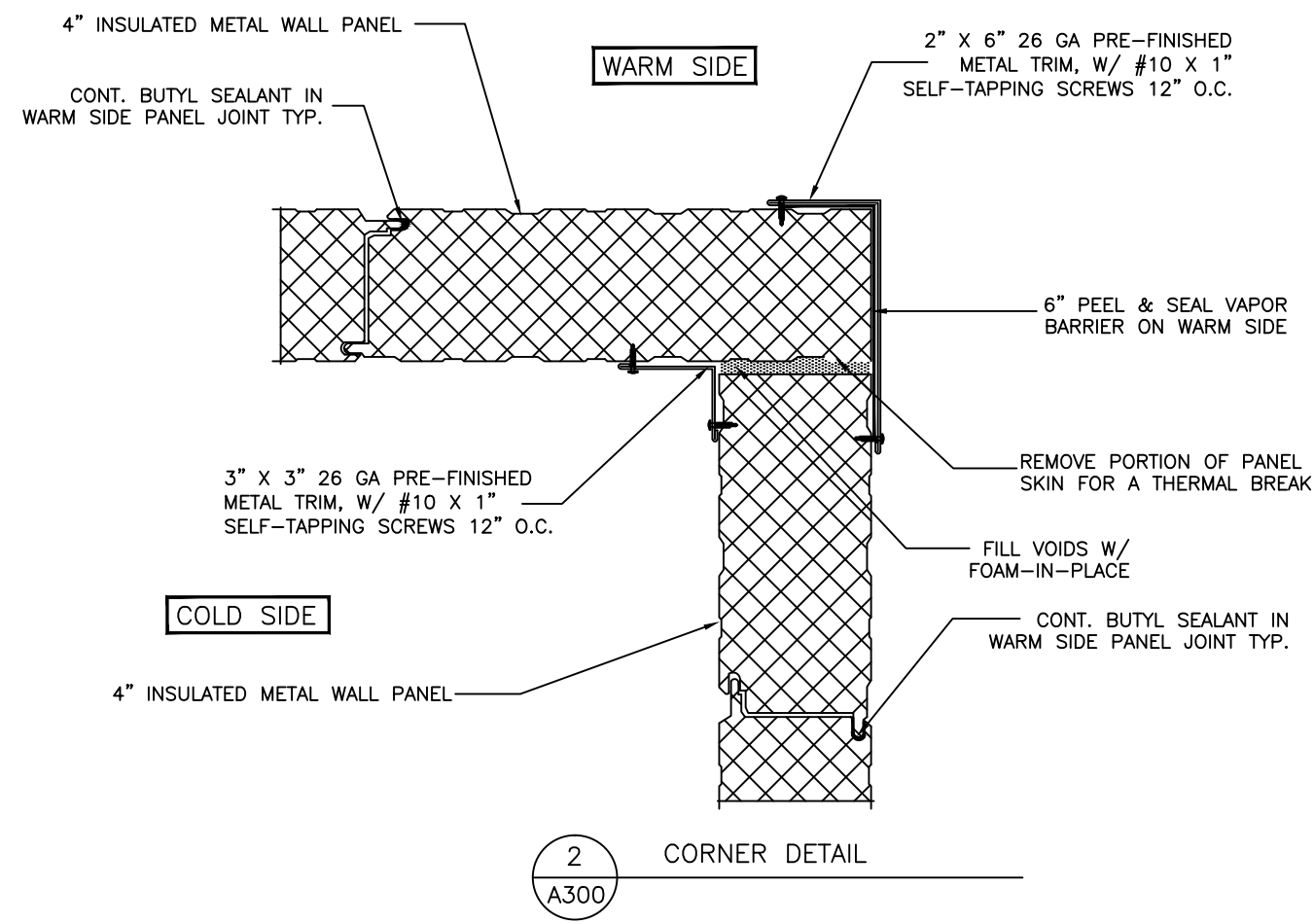
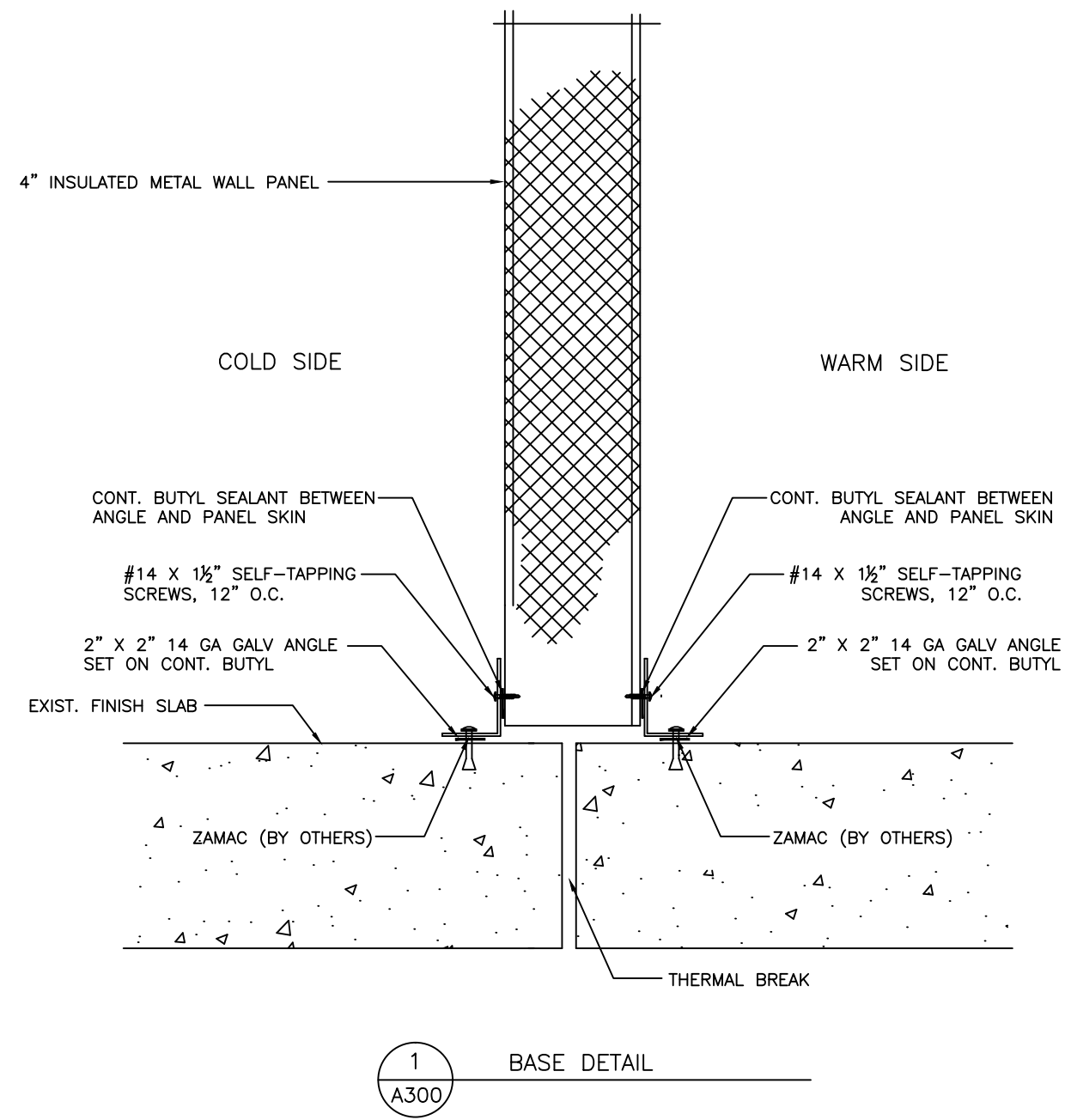
20' x 20' x 8'-4"
Drive-In Freezer

TOLERANCES UNLESS SPECIFIED
FRACTIONAL X/X" ± 1/32"
DECIMAL .XX ± .015
" X" ± 0'30"
ANGLE XXX ± .005
XXX ± .005
XXXX ± .001

Draftsman is not responsible for panel heights, quantities and/or dimensions. Contractor to verify all information.

WALL ELEVATIONS

DR. BY: KRZ
DATE: 8/30/2016
SCALE: NTS
CHECKED BY:
SHEET NO. A200



NO.	DATE	BY	REVISION

Barr Inc.
 1423 Planeview Drive
 Oshkosh, WI 54904
 920-231-1711 Phone

20' x 20' x 8'-4"
 Drive-In Freezer

TOLERANCES UNLESS SPECIFIED
FRACTIONAL DECIMAL ANGLE
X/X" ± 1/32" .XX ± .015 ° ± 0'30"
.XXX ± .005 ° ± 0'05"
.XXXX ± .001

Draftsman is not responsible for panel heights, quantities, and/or dimensions. Contractor to verify all information.

WALL DETAILS

DR. BY: KRZ
DATE: 8/30/2016
SCALE: NTS
CHECKED BY:
SHEET NO. A300