

Barr Inc.

1423 Planeview Drive

Oshkosh, WI 54904

920-231-1711 Phone

40' x 40' x 10'-5"

Drive-In Freezer

DRAWING INDEX

T.1	TITLE SHEET
A100	FLOOR/CEILING PLAN
A200	INSULATED WALL PANEL ELEVATIONS
A300	INSULATED WALL PANEL DETAILS

REVISION	BY	DATE

Barr Inc.
1423 Planeview Drive
Oshkosh, WI 54904
920-231-1711 Phone

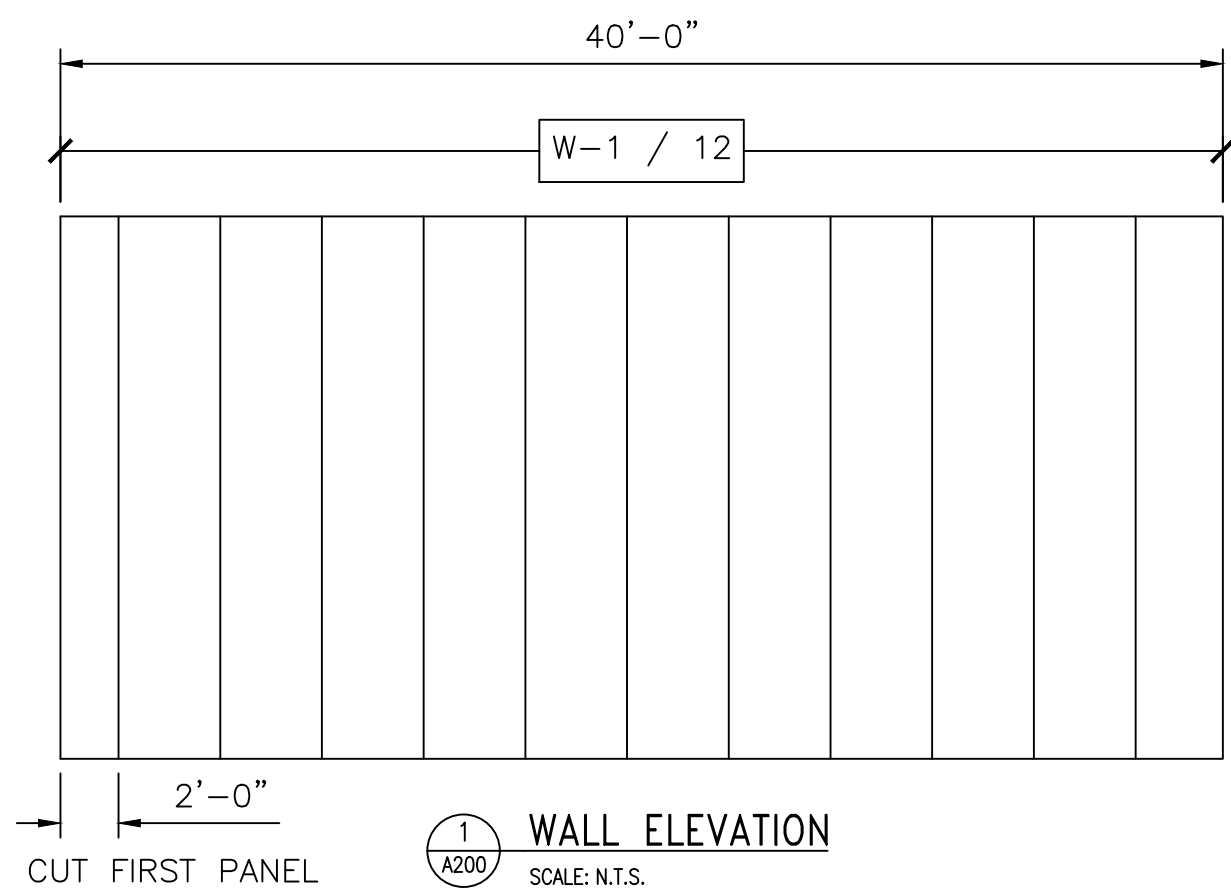
40' x 40' x 10'-5"
Drive-In Freezer

TOLERANCES UNLESS SPECIFIED
FRACTIONAL DECIMAL ANGLE
X/8" ± 1/32" .XX ± .015 " ± 0°30'
.XXX ± .005 X'XX ± 0'05"
.XXXX ± .001

Draftsmen is not responsible for panel heights, wall dimensions. Contractor to verify all information.

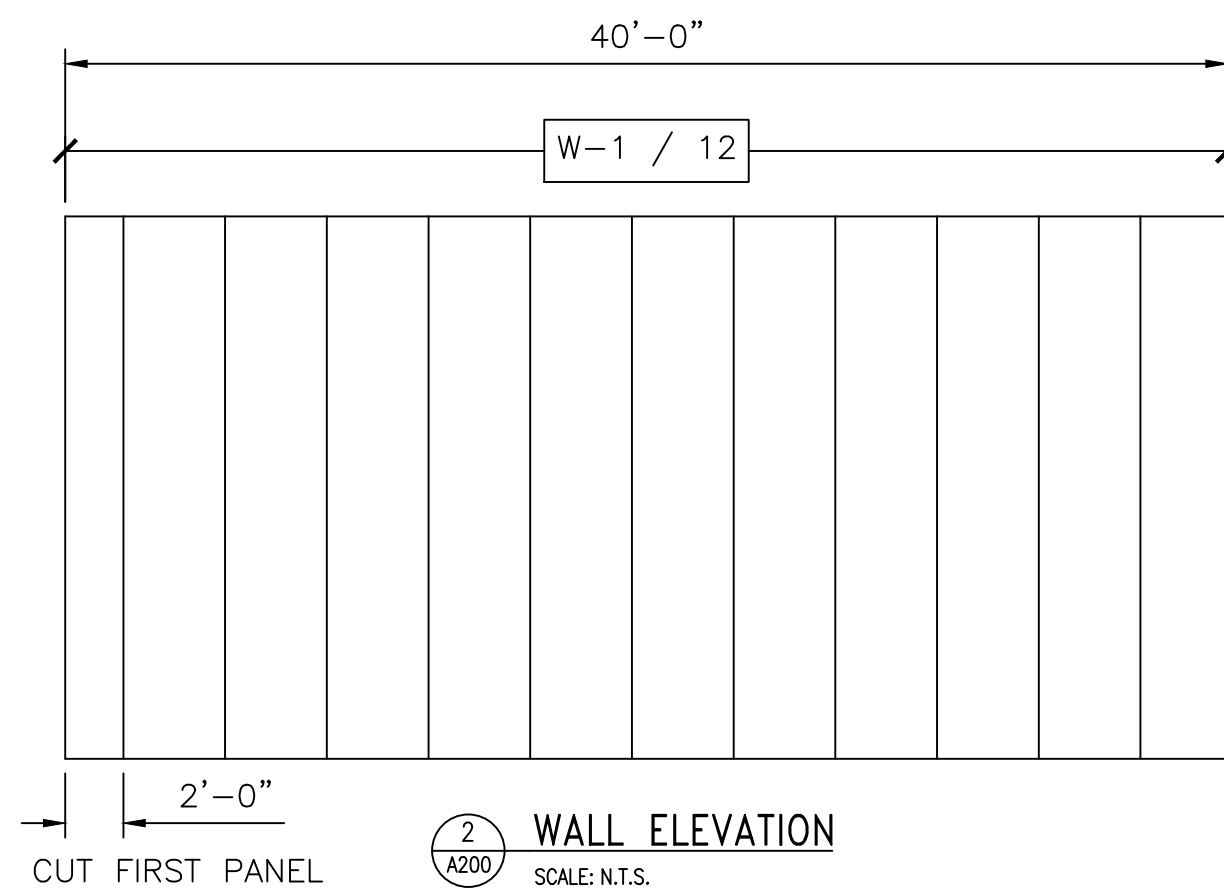
TITLE

DR. BY: KRZ
DATE: 8/1/2023
SCALE: NTS
CHECKED BY:
SHEET NO. T.1



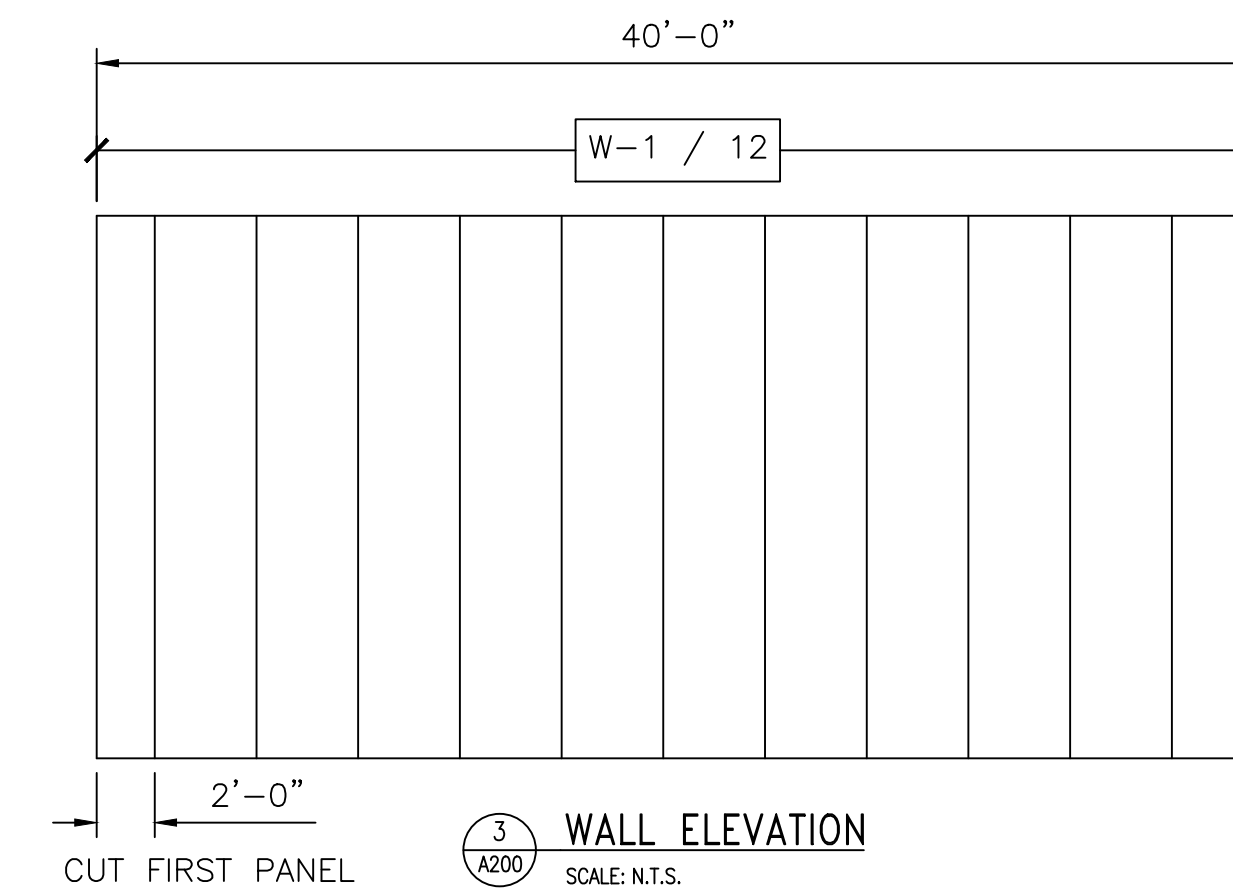
TOP OF WALL
EL.: 10'-0"

T/SLAB
EL.: 0'-0"



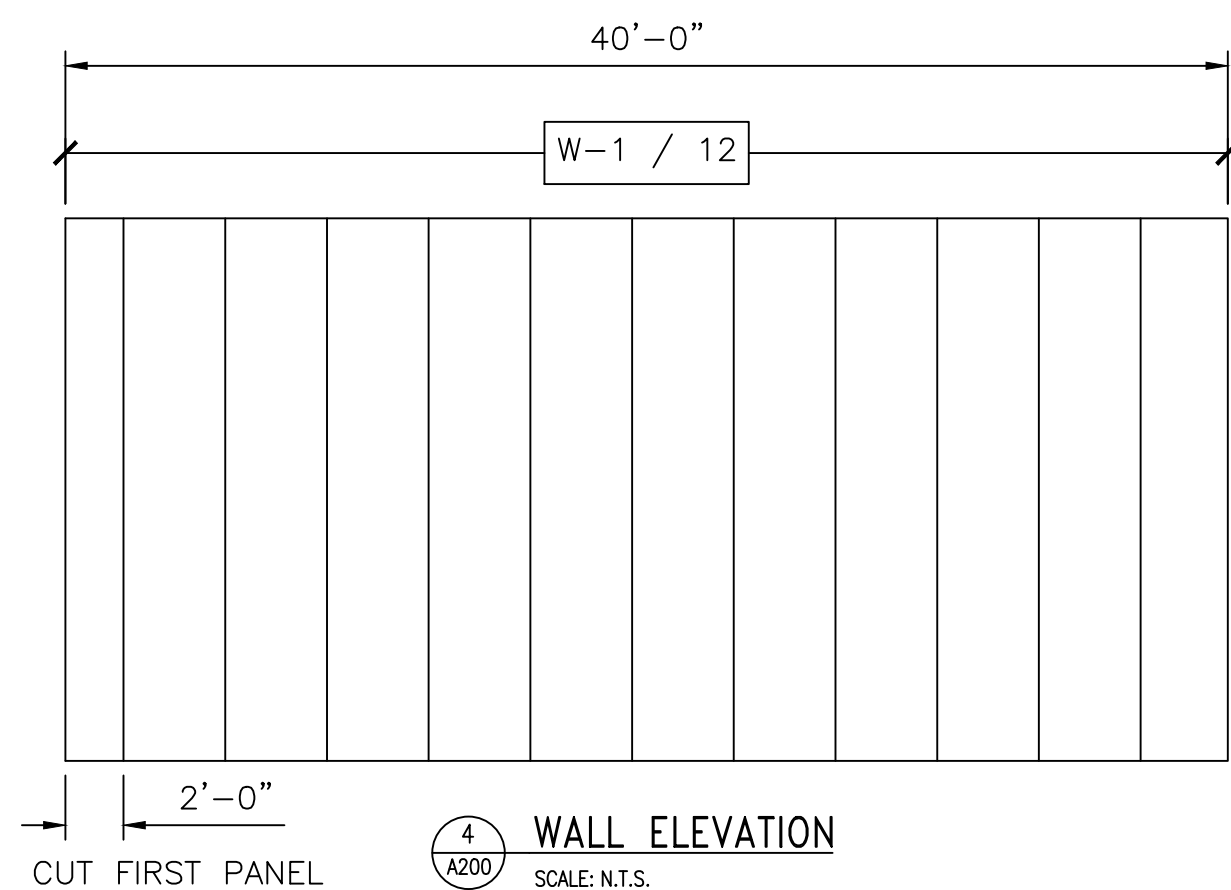
TOP OF WALL
EL.: 10'-0"

T/SLAB
EL.: 0'-0"



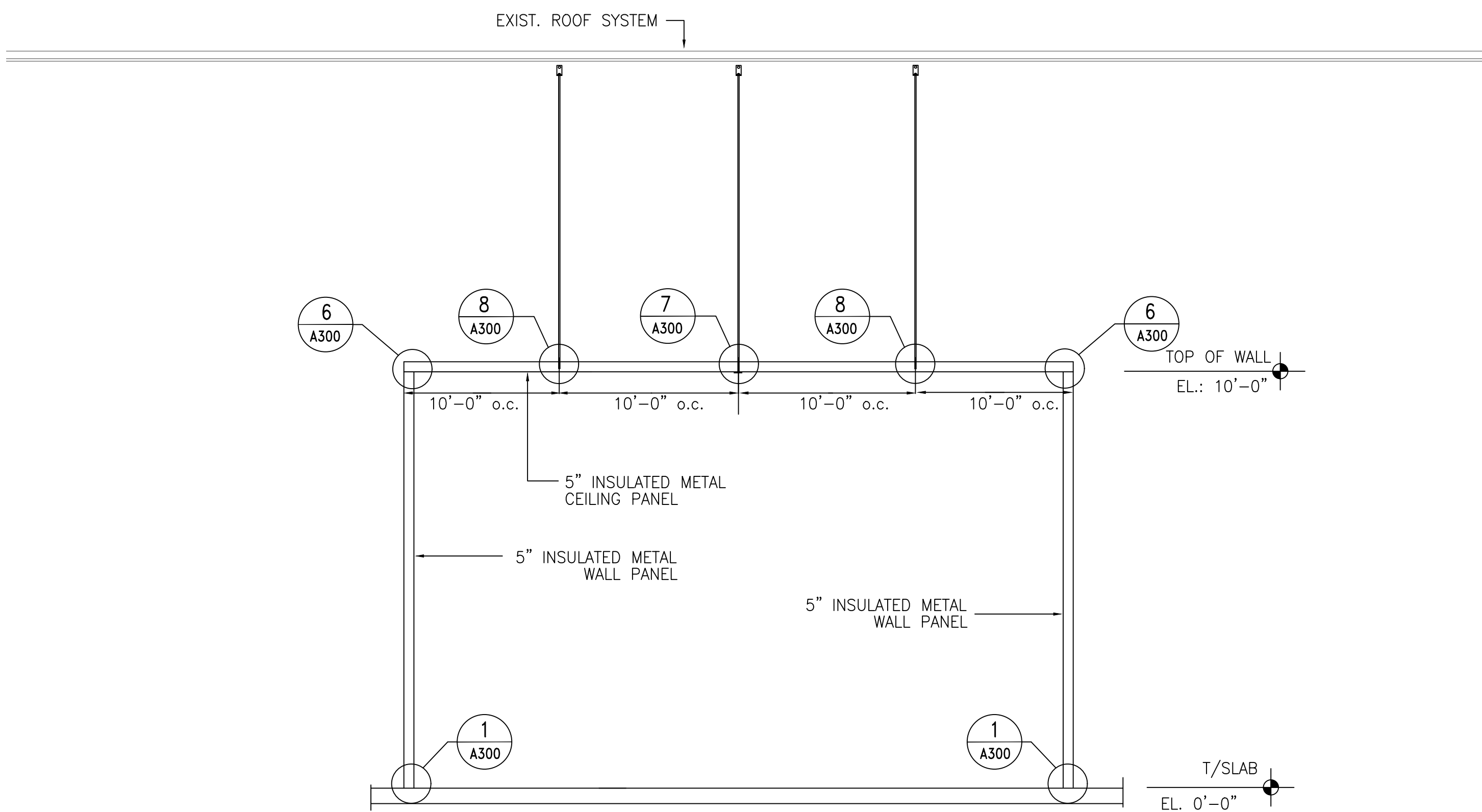
TOP OF WALL
EL.: 10'-0"

T/SLAB
EL.: 0'-0"



TOP OF WALL
EL.: 10'-0"

T/SLAB
EL.: 0'-0"



5 WALL SECTION
SCALE: N.T.S.

PANEL SCHEDULE

PANEL DESIG.	PANEL HEIGHT	QTY. OF PANELS	PANEL THICK	PANEL SERIES	PANEL COLOR
W-1	10'-0"	48	5"	MESALINE	USDA WHITE
C-2	20'-0"	24	5"	MESALINE	USDA WHITE

NO.	REVISION	DATE	BY

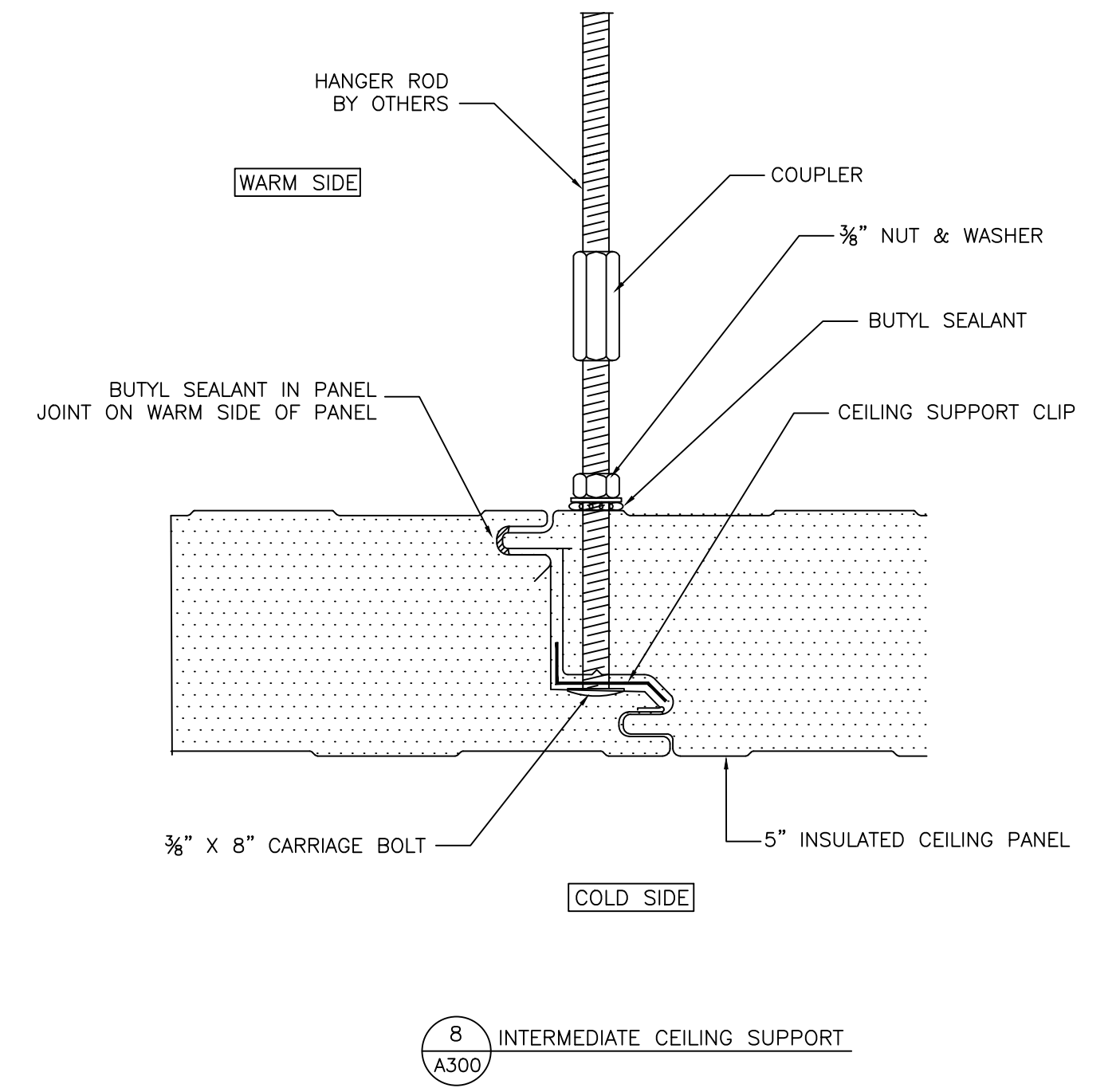
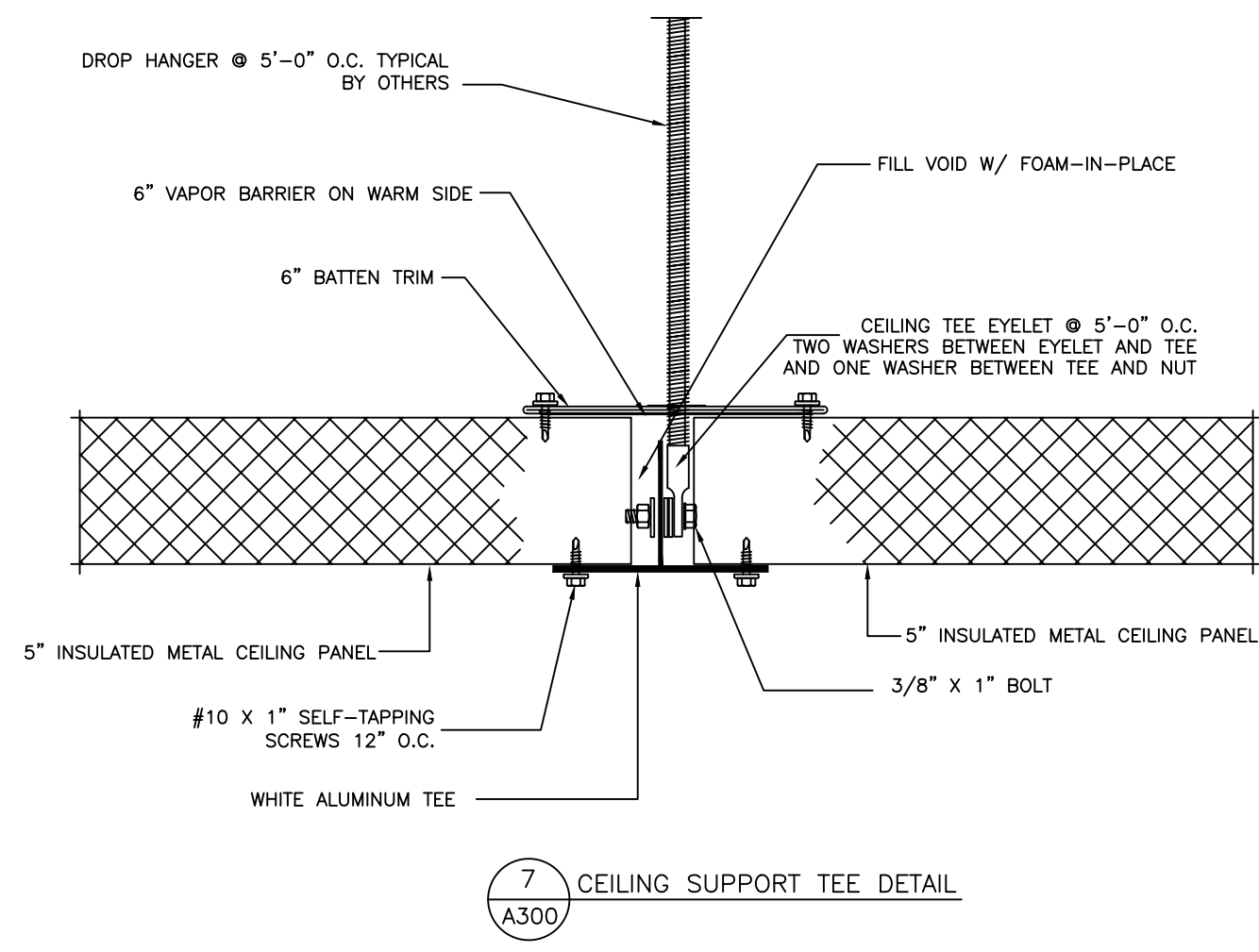
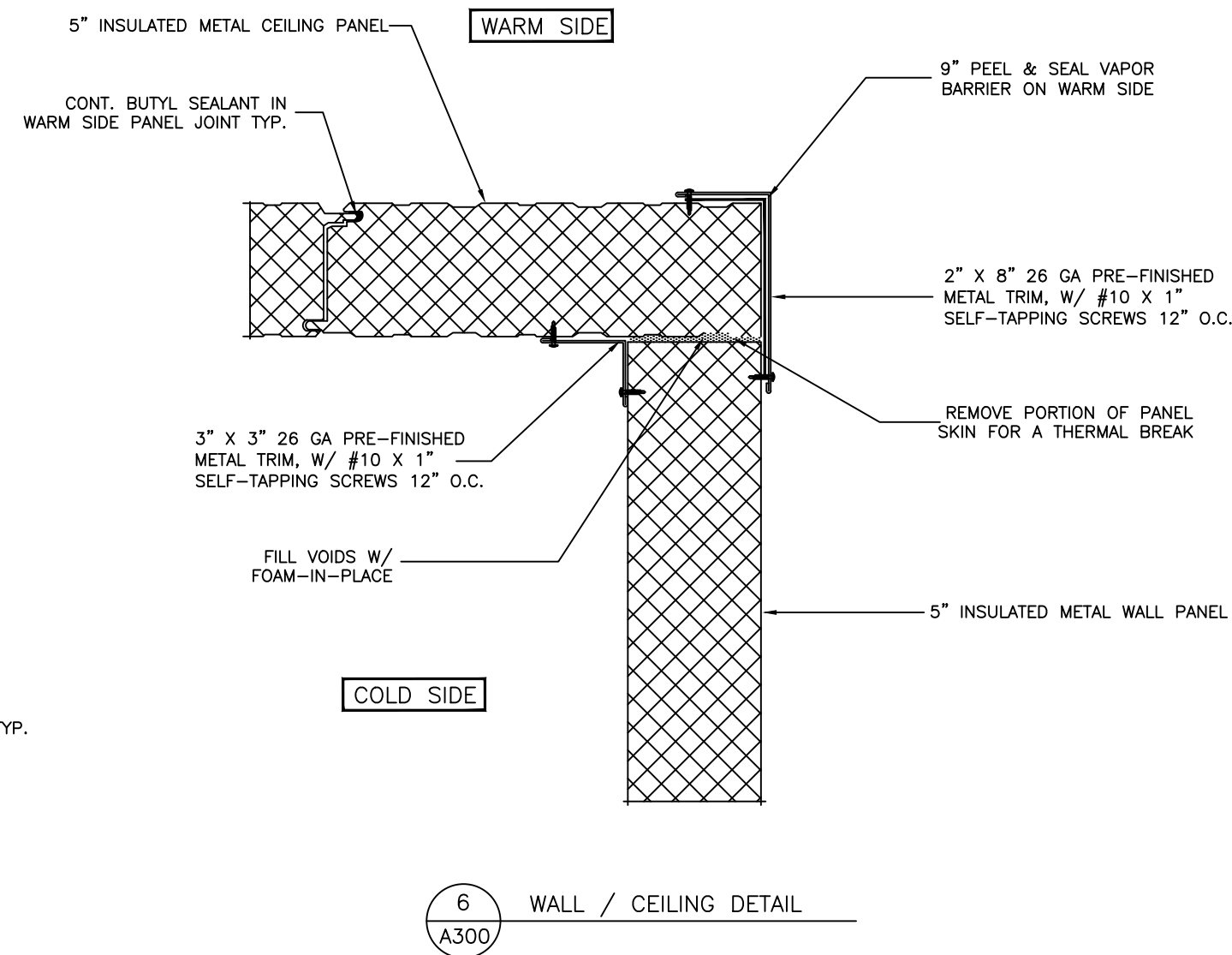
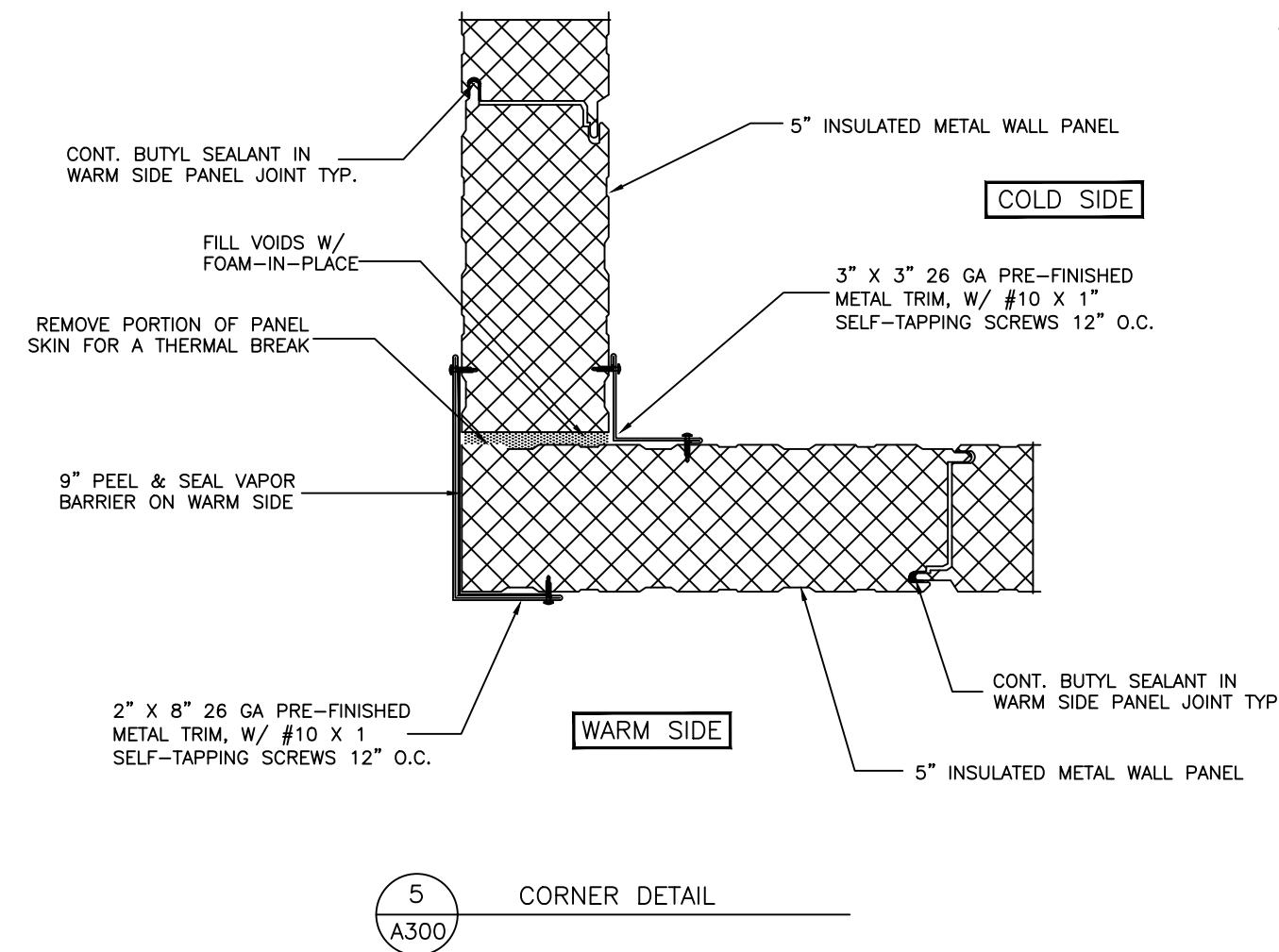
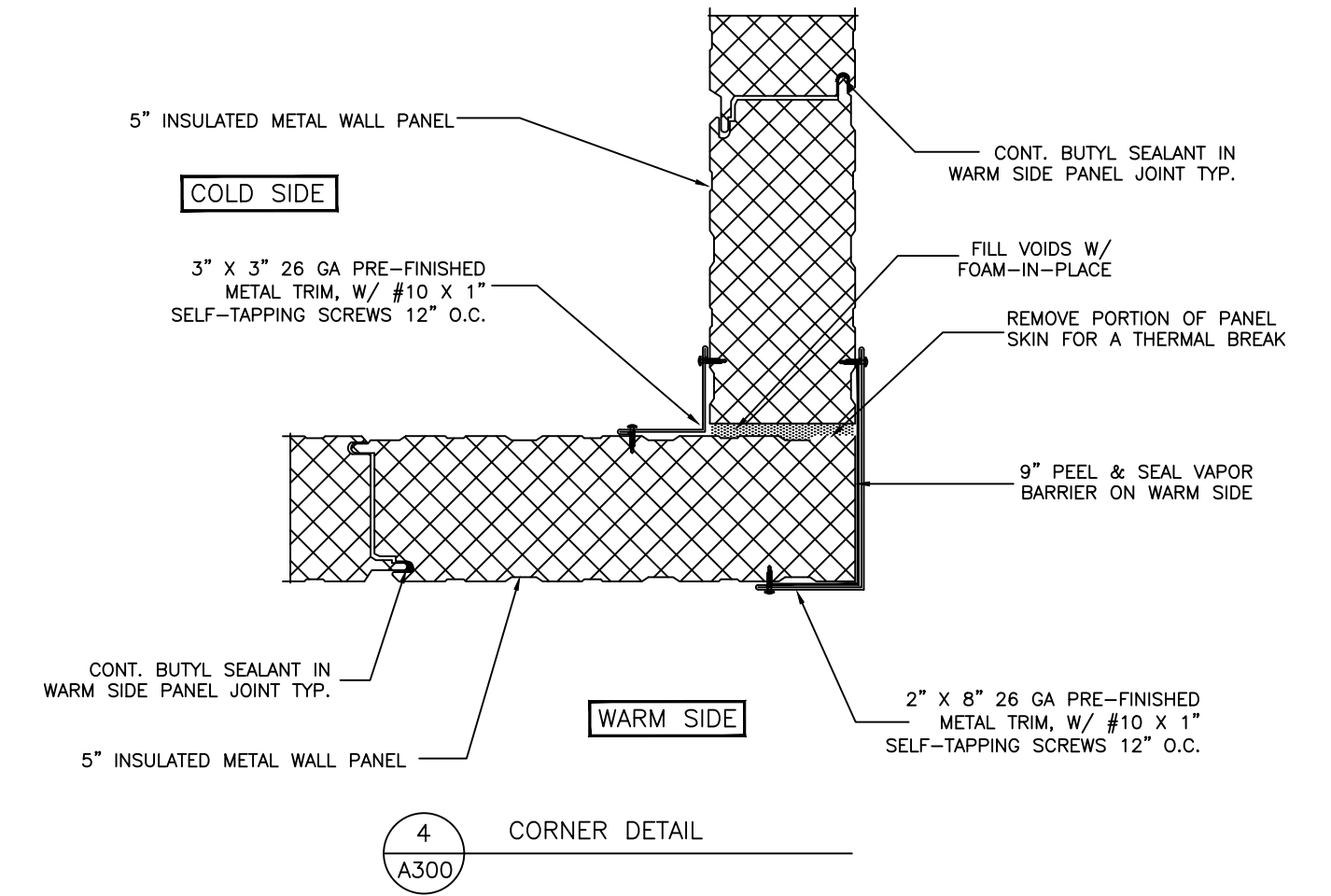
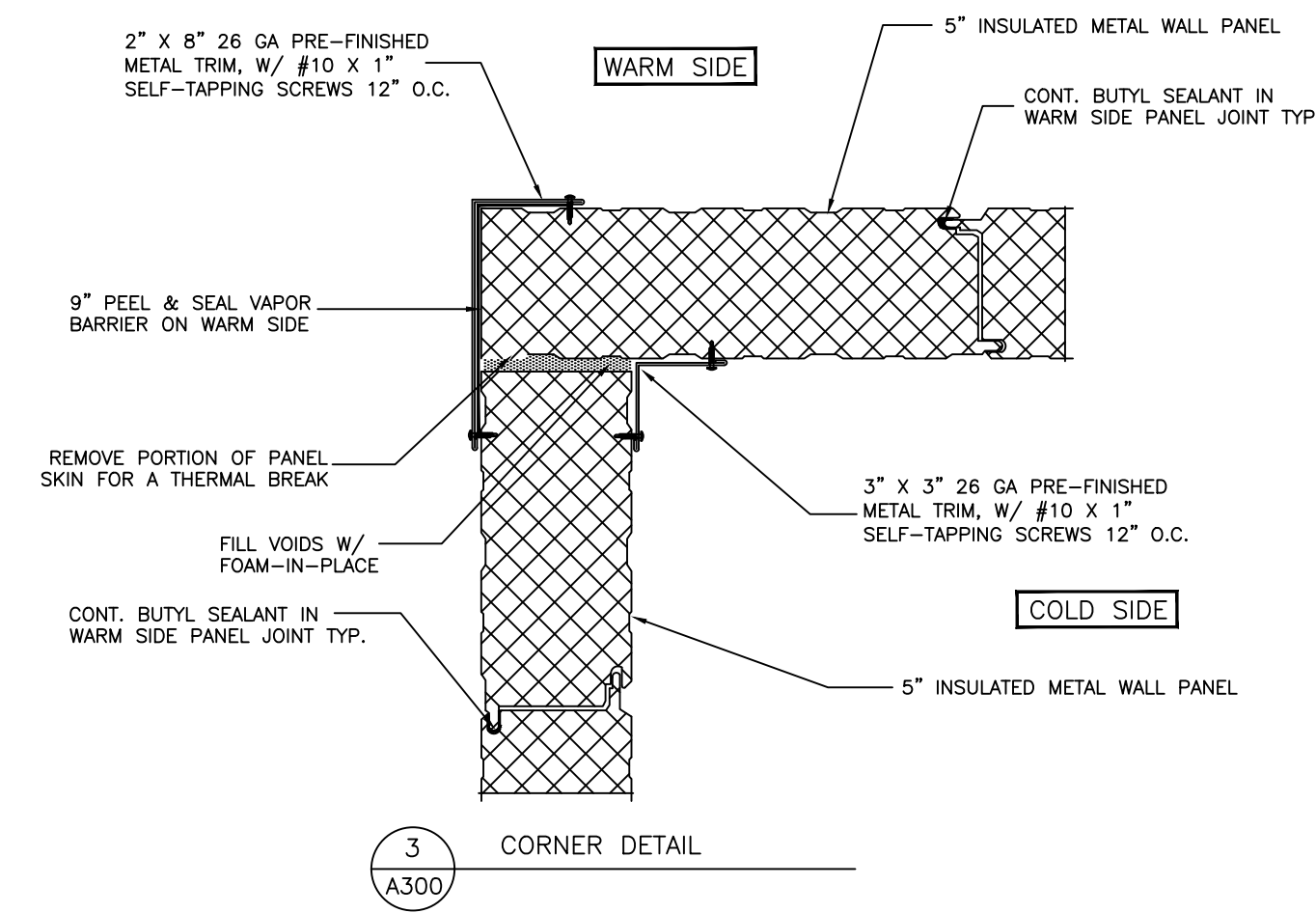
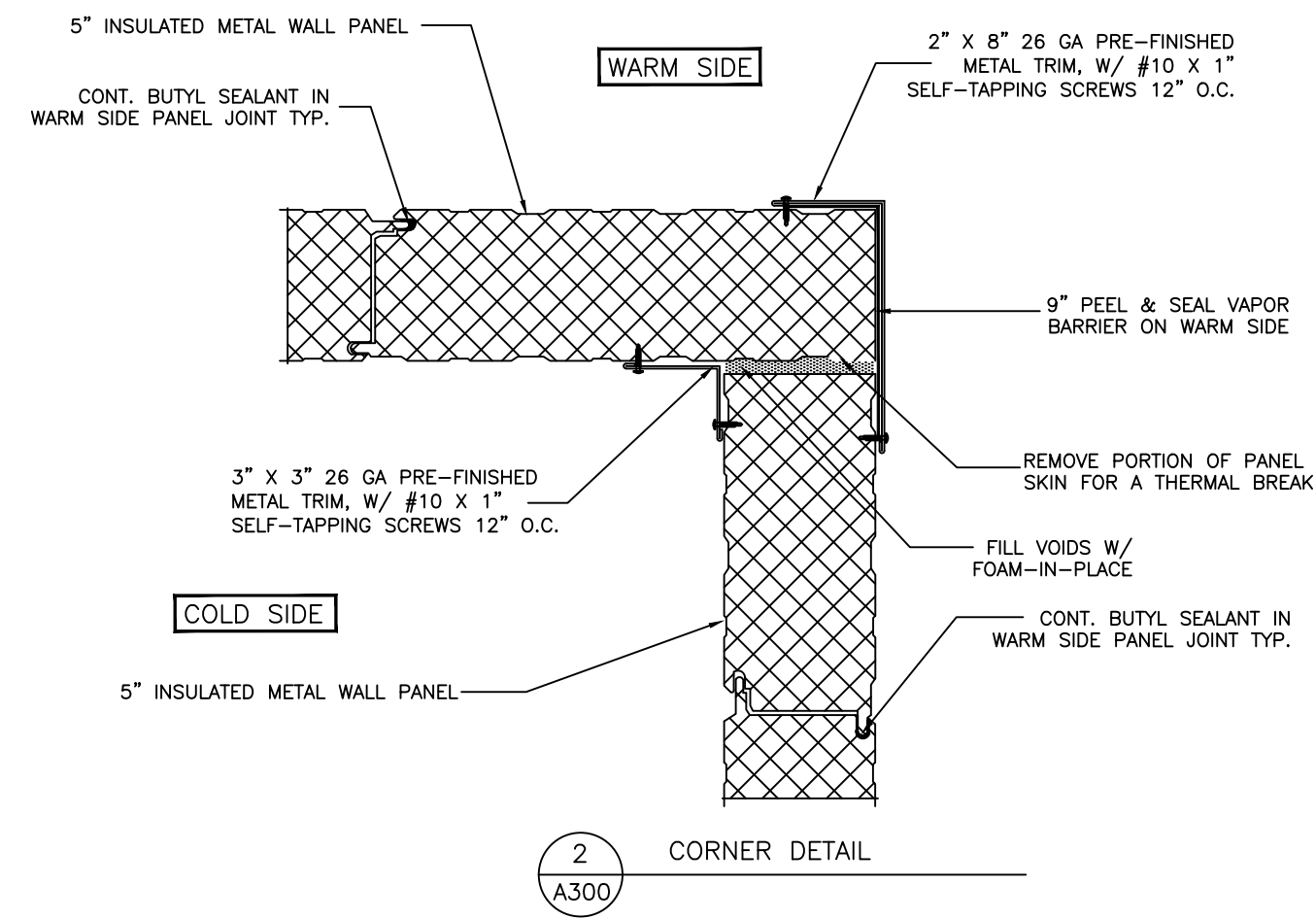
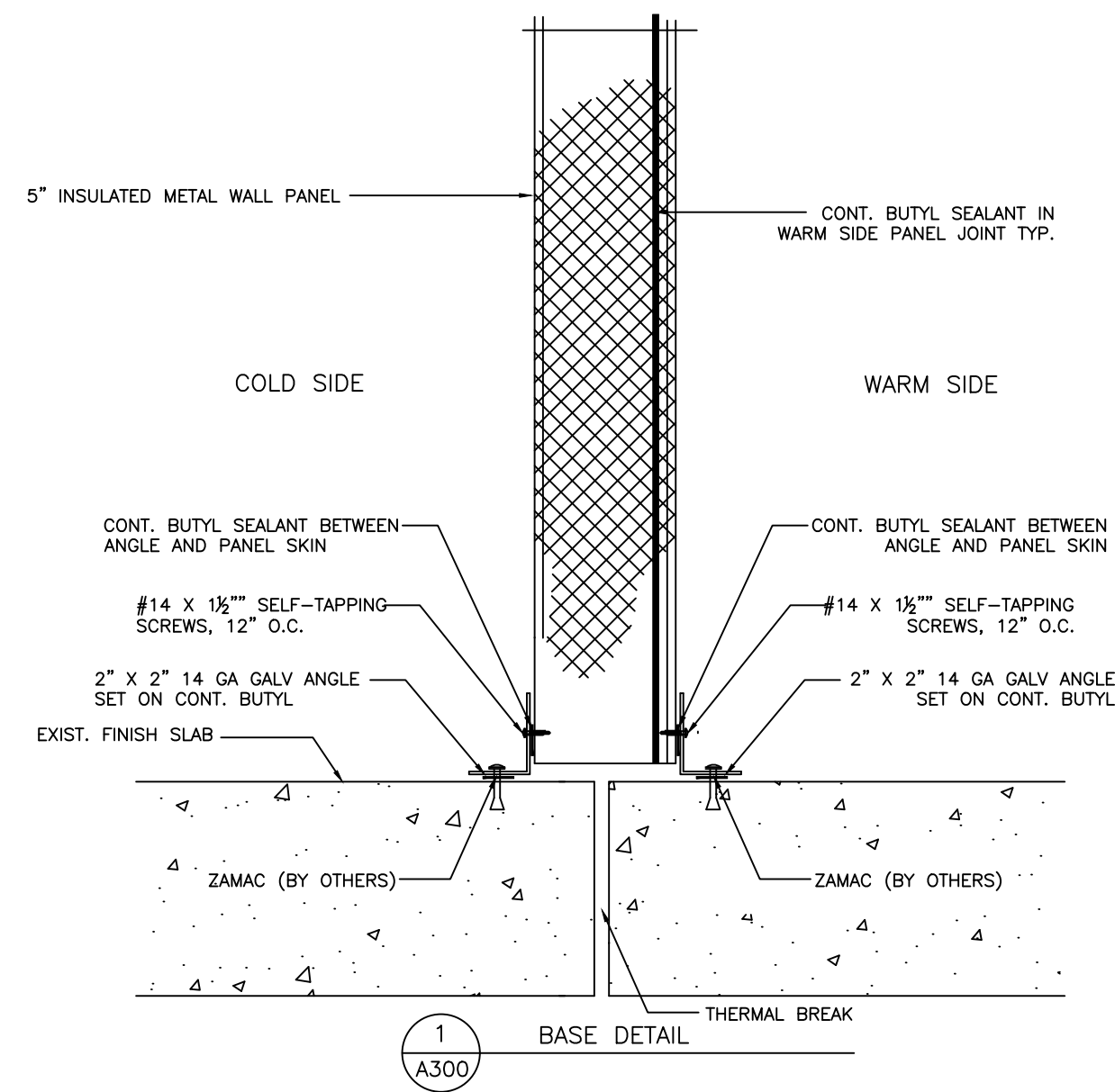
Barr Inc.
1423 Planeview Drive
Oshkosh, WI 54904
920-231-1711 Phone

40' x 40' x 10'-5"
Drive-In Freezer

TOLERANCES UNLESS SPECIFIED
FRACTIONAL X"/X" ± 1/32"
DECIMAL .XX ± .015
ANGLE ° ± 0'30"
XXX ± .005
.XXXX ± .001

Draftsmen is not responsible for panel heights, wall dimensions. Contractor to verify all information.

WALL ELEVATIONS	
DR. BY:	KRZ
DATE:	8/1/2023
SCALE:	NTS
CHECKED BY:	
SHEET NO.	A200



NO.	REVISION	DATE	BY

Barr Inc.
 1423 Planeview Drive
 Oshkosh, WI 54904
 920-231-1711 Phone

40' x 40' x 10'-5"
 Drive-In Freezer

TOLERANCES UNLESS SPECIFIED
 FRACTIONAL DECIMAL ANGLE
 X/X" ± 1/32" .XX ± .015 X" ± 0'30"
 .XXX ± .005 X'XX' ± .005
 .XXXX ± .001

Draftsmen is not responsible for panel heights, wall heights, dimensions. Contractor to verify all information.

WALL DETAILS

DR. BY: KRZ
 DATE: 8/1/2023
 SCALE: NTS
 CHECKED BY:
 SHEET NO. A300