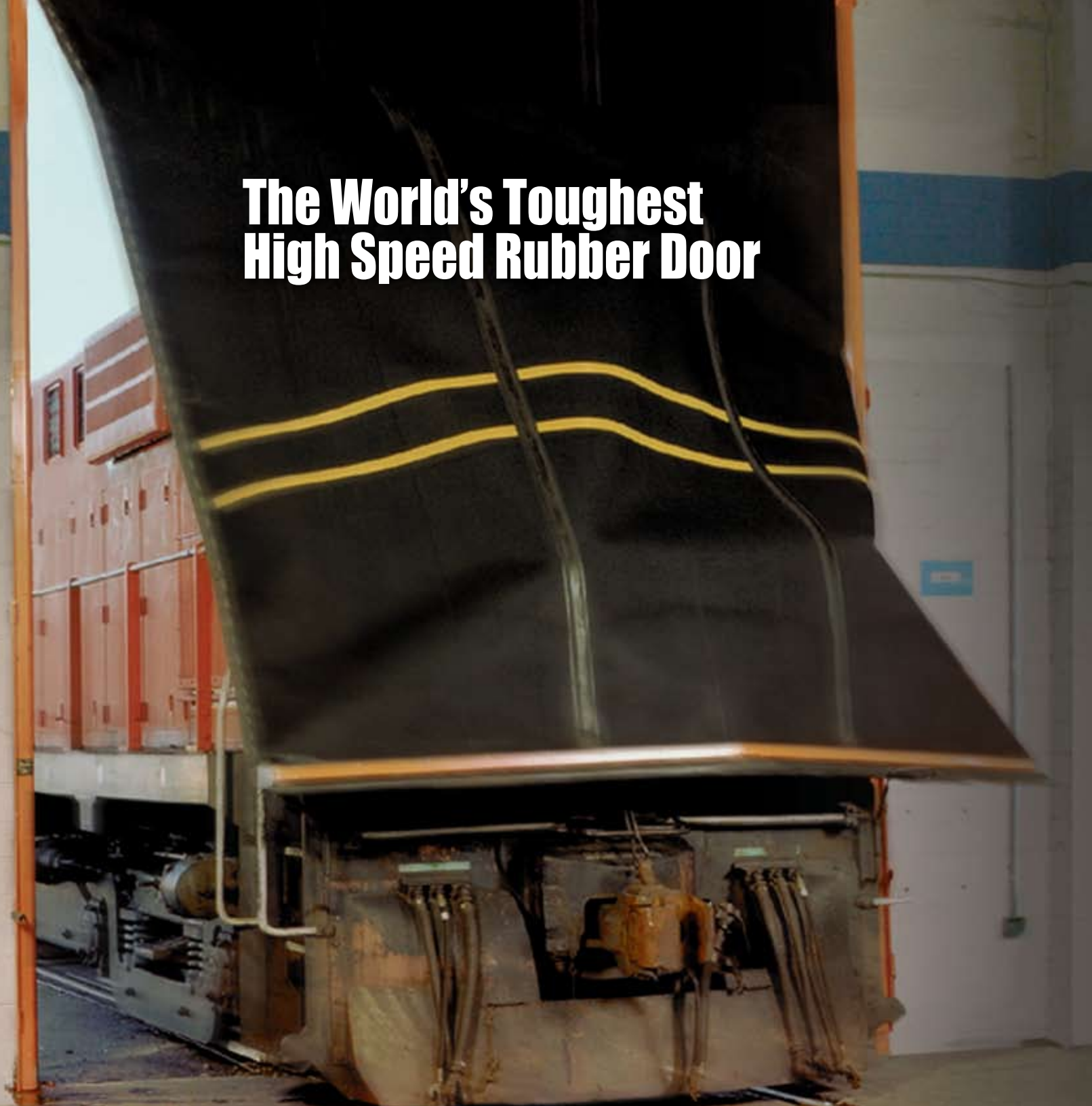


UltraTough M&I

The Ultimate in High Speed Doors

ALBANY
DOOR SYSTEMS
A company of Albany International Corp.

**The World's Toughest
High Speed Rubber Door**



The UltraTough M&I. Strong. Fast. Rugged.

From the world's largest manufacturer of high speed industrial doors.

When the going gets tough, you need the UltraTough M&I high-performance door from Albany Door Systems. The UltraTough M&I can take a hit and hold up in the most rugged industrial applications, while flimsy conventional doors buckle under conditions.

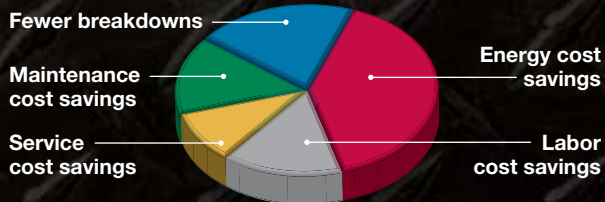
A Lifetime of Strength and Reliability

Even in the harshest conditions, the UltraTough M&I performs like no other door. Its 1/4" thick, UltraStrong rubber panel, heavy-duty self supporting steel side frames, and patented Windlok guide system combine to provide more resiliency against damage, extreme weather, and high wind loads of up to 88 mph. This heavy-duty door also creates a near airtight seal that protects people and materials from exposure to extreme weather and contaminants.

The UltraTough M&I meets the demands of any environment with a choice of two drive units: The Springless System, and Counterbalance System. The Springless System uses a direct drive unit and built-in catching device, eliminating the need for sprockets, springs and chains.

The Counterbalance System uses a double chain and sprocket that offers consistent, smooth operation with its evenly balanced 100K cycle torsion spring. Whatever you choose, this door helps reduce energy costs, increases productivity, and creates a better working environment.

AVERAGE ANNUAL COST SAVINGS OF \$6,000



UltraTough Applications
Automotive Distributors
Transportation Centers
Distribution Facilities
Parking Facilities
Automotive Washing
Wastewater Management
Mining
Government Facilities
Utilities
Limitless Options

Guaranteed to Stay Tough

The UltraTough M&I is built to withstand accidental impact and remain operational. The curtain and break away bottom beam can be reset quickly without special tools, and the easy-to-use controller has LED indicators to make troubleshooting simple.

With opening speeds up to 60" per second, advanced safety features, and a wide selection of actuation devices, the UltraTough M&I allows you to increase productivity, decrease energy costs, lower maintenance costs, and enhance protection for employees and equipment.

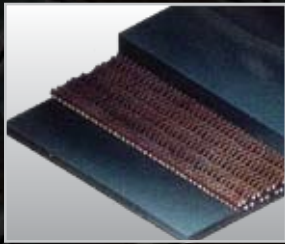
Additionally, the chemical and corrosion resistant heavy-duty side frames, and lifetime warranty on the door panel, ensure superb durability and performance in harsh environments that conventional doors can't handle.

The UltraTough M&I has the strength, reliability, and speed that stand the test of time and conditions where no other conventional or high speed door can. As the global leader in providing high-performance doors, you can rely on Albany Door Systems to deliver the world's toughest high-speed rubber door.

UltraTough Technical Information

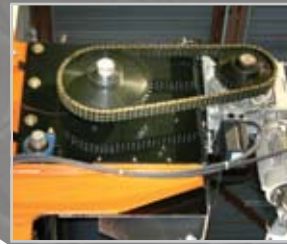
Opening and Closing Speeds	
Springless System	Opening up to 36" per second (size dependent)
Counterbalanced System	Opening up to 60" per second (size dependent)
Door Dimension	
Max. Height	30 ft. (9,144mm)
Max. Width	30 ft. (9,144mm)
Min. Height	8 ft. (2,438mm)
Min. Width	8 ft. (2,438mm)
Safety Features	
Photo Eye	Standard
TruckGuard Light Curtain	Optional – 40 infrared thru-beam optical sensors
Wireless Safety System	Optional – No coil cords
Bottom Beam	Failsafe auto stop and reverse self-monitoring safety edge
Door Panel	
SBR	2 layers of Styrene Butadiene Rubber (SBR) with polyester cord center. Breaking strength 1100lbs/in/ply.
EPDM	Optional
Door Components	
Springless System	Direct Drive Unit
Counterbalanced System	100k cycle torsion springs
Side Frames	Self-supporting, heavy-duty steel painted with corrosion and chemical resistant coating
Idler (size dependent)	4" diameter, .134" tube
Door Roll	8 5/8" diameter, .188" thick tube complying with ASTM A513
Bottom Beam	Steel construction with breakaway center
Manual Egress	Chain hoist
Control and Drive System	
Input Voltage	208-240 V, 440-480 V, 575 - 600 V
Motor	Up to 3.34 HP, 3 phase, 60 Hz, 20 amps
Limits adjustment	From drive
UltraSmart controller	Optional variable speed
PLC	Optional
Protection	NEMA 4 / 12
Wind Resistance	
Windlok & Guide system	Up to 20 psf, (88 mph) (124 km/hr)
Wind Gussets	Optional – up to 30 psf, (110 mph) (177 km/hr)

We offer various options and actuation devices for all Albany High Performance Doors.



UltraStrong Curtain

Thick, 2-layer SBR and high tensile strength rubber panel has a lifetime warranty



Counterbalance System

Counterbalance system uses torsion springs for fast smooth operation



OR



Springless System

Springless System eliminates the need for chain and sprocket and decreases maintenance

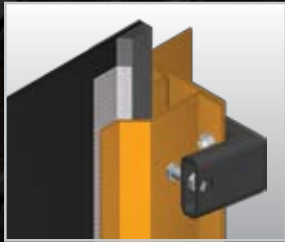


Special conditions may apply.



Heavy Duty Construction

Heavy duty 1/4" structural steel columns and header; no aluminum



Patented Continuous Windlok Design

Continuous windlok design resists high wind pressures and produces a near airtight seal



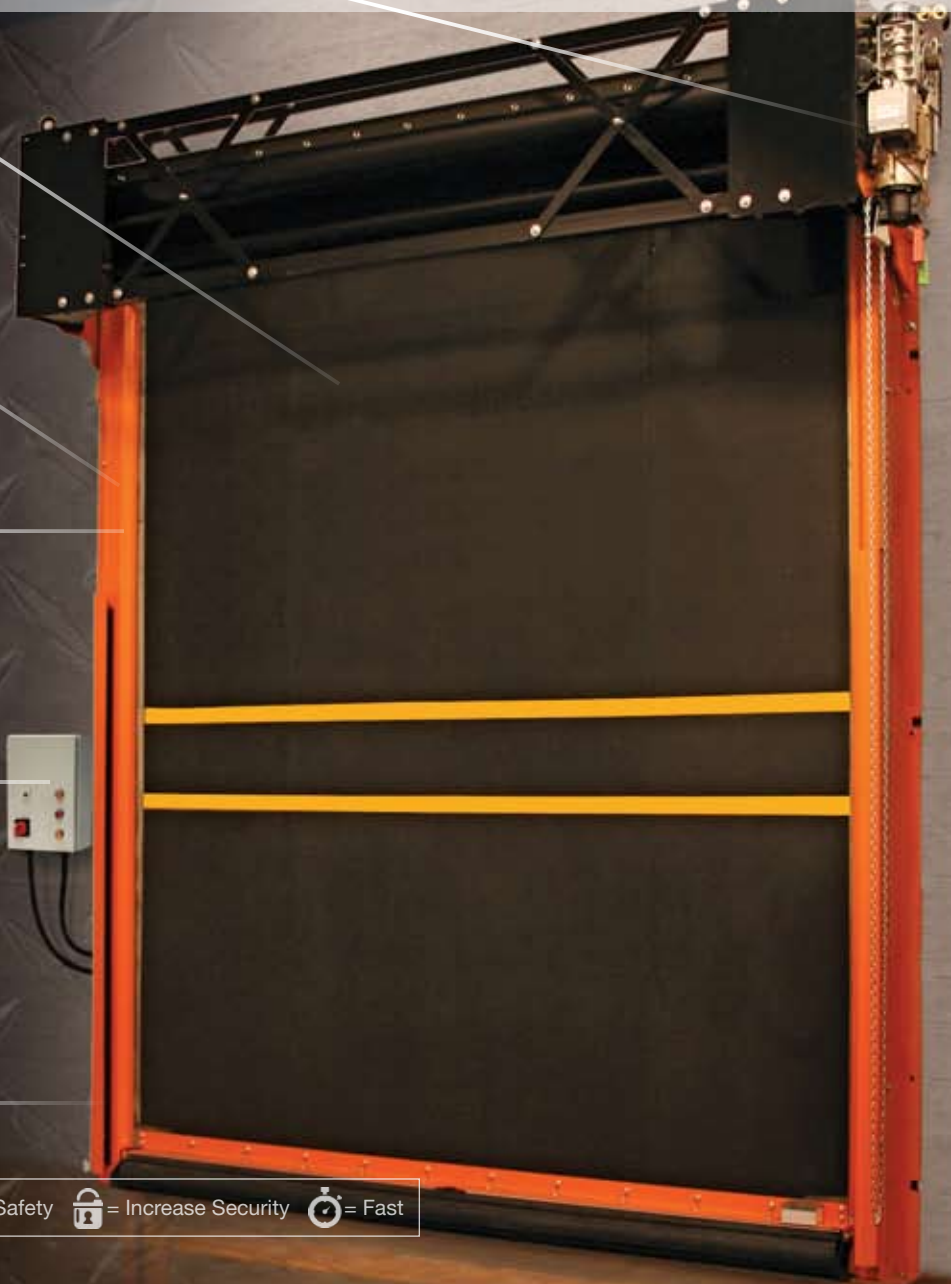
ACS-50 Controller

ACS-50 Controller makes door operation easy and troubleshooting simple



Optional TruckGuard Safety System

Optional TruckGuard Safety System eliminates contact with objects in the doorway



= Savings = Lower Maintenance = Increase Productivity = Enhance Safety = Increase Security = Fast

Photo may include additional options.



Automotive



Automotive Washing



Distribution



Wastewater Management

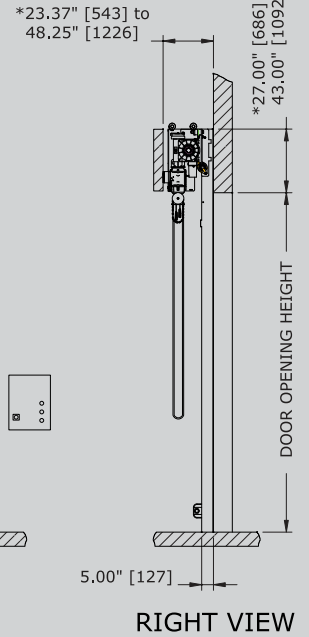
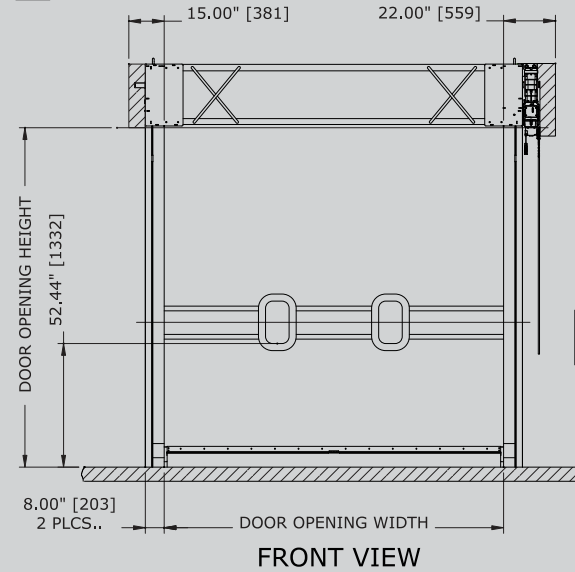


Transportation



Parking Facility

= RECOMMENDED CLEARANCES



NOTE:
1. * INDICATES THAT DIMENSION CHANGES WITH DOOR SIZE OR OPTIONS
2. FOR COUNTER BALANCED DOOR CLEARANCES CONSULT FACTORY.

Albany Door Systems

Georgia Facility
975A Old Norcross Road
Lawrenceville, GA 30046

Toll Free: (800) ALBANY1 (252-2691)
Phone: (770) 338-5000
Fax: (770) 338-5024

Wisconsin Facility
1080 Maritime Drive
Port Washington, WI 53074

sales@albanydoors.com
www.albanydoors.com

Follow us on **facebook** and **YouTube**

©2010, Albany International Corp. • www.albint.com • All rights reserved.

Albany Door Systems - A Company of Albany International Corp.

Asia (English) | Australia (English) | Austria (German) | Belgium (French) | Canada (English & French) | China (Mandarin) | Denmark (Danish) | France (French) | Germany (German) | Latin America (Spanish) | Netherlands (Dutch) | Norway (Norwegian) | Poland (Polish) | Sweden (Swedish) | Switzerland (German) | Global Website (English)