

Barr Inc.

1423 Planeview Drive

Oshkosh, WI 54904

920-231-1711 Phone

20' x 40' x 20'-4"

Drive-In Cooler

DRAWING INDEX

T.1	TITLE SHEET
A100	FLOOR/CEILING PLAN
A200	INSULATED WALL PANEL ELEVATIONS
A300	INSULATED WALL PANEL DETAILS

REVISION	DATE	BY

Barr Inc.
1423 Planeview Drive
Oshkosh, WI 54904
920-231-1711 Phone

20' x 40' x 20'-4"
Drive-In Cooler

TOLERANCES UNLESS SPECIFIED
FRACTIONAL X/X" ± 1/32"
DECIMAL .XX ± .015
" X" ± 0'30"
ANGLE .XXX ± .005
"XXX" ± 0'05"
XXXX ± .001

Draftsman is not responsible for panel heights, quantities and/or dimensions. Contractor to verify all information.

TITLE

DR.BY: KRZ

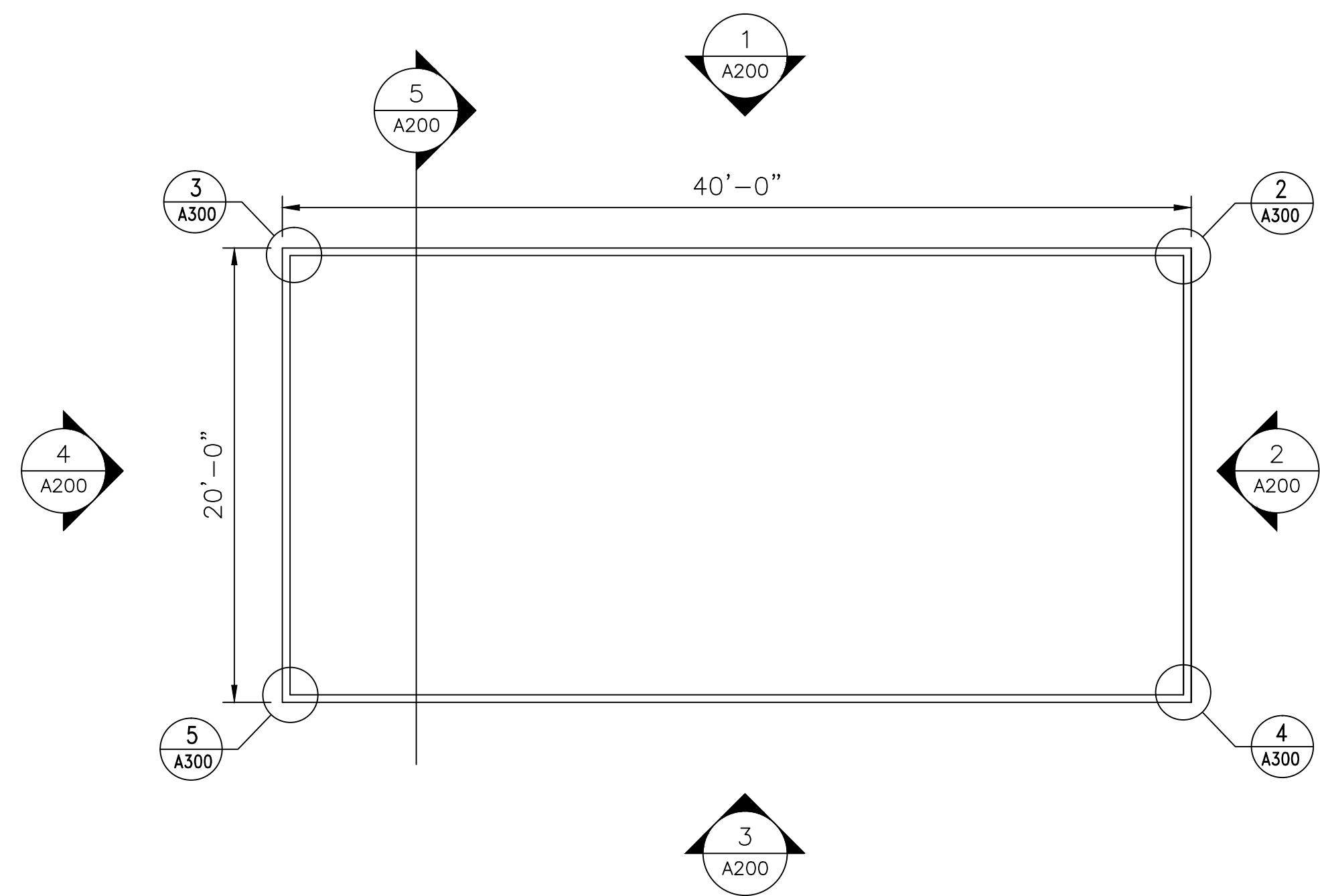
DATE: 8/30/2016

SCALE: NTS

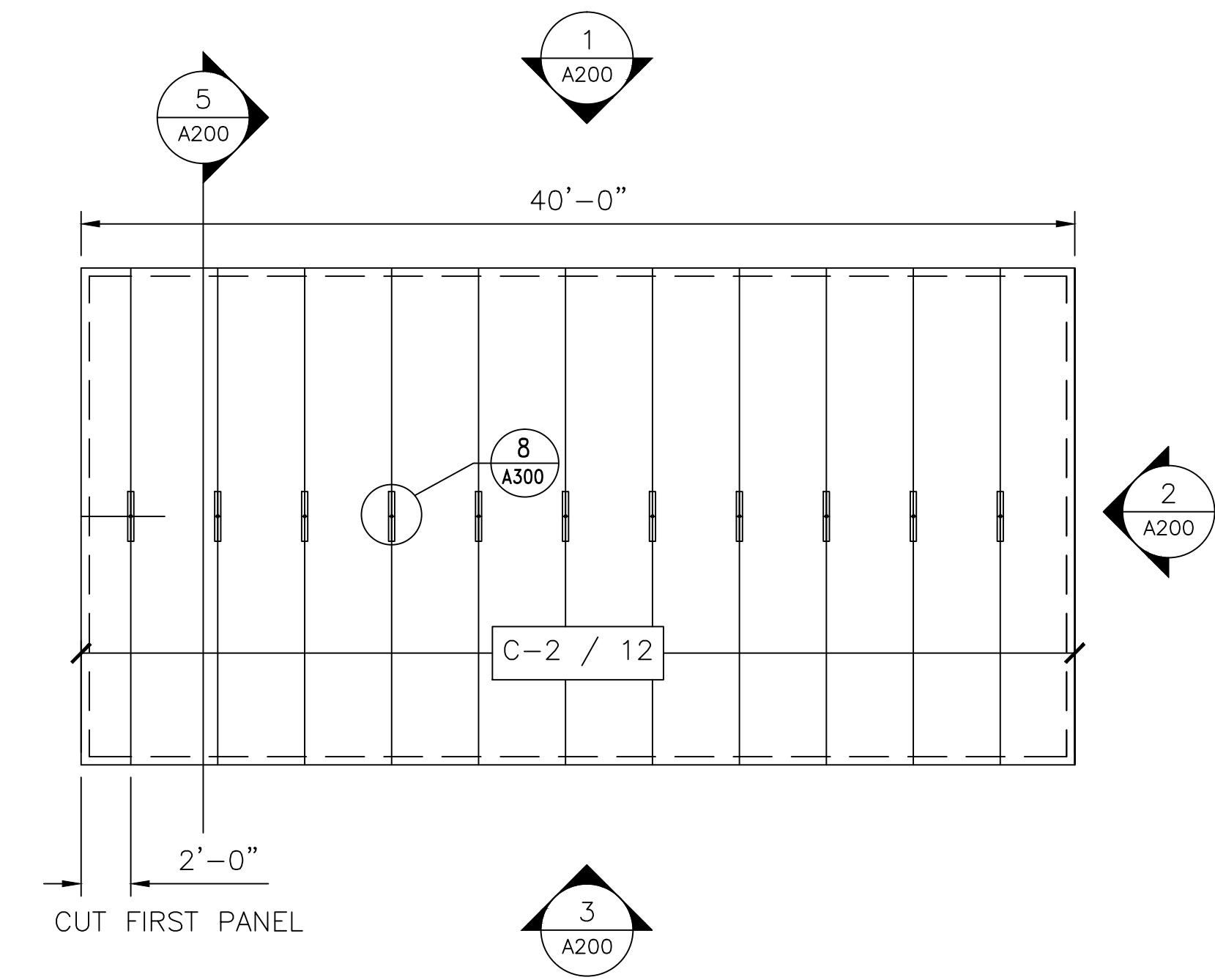
CHECKED BY:

SHEET NO.

T.1



1 FLOOR PLAN
SCALE: N.T.S.



2 CEILING PLAN
SCALE: N.T.S.

PANEL SCHEDULE

PANEL DESIG.	PANEL HEIGHT	QTY OF PANELS	PANEL THICK	PANEL SERIES	PANEL COLOR
W-1	20'-0"	36	4"	MESALINE	USDA WHITE
C-2	20'-0"	12	4"	MESALINE	USDA WHITE

REVISION	BY	DATE

Barr Inc.
1423 Planeview Drive
Oshkosh, WI 54904
920-231-1711 Phone

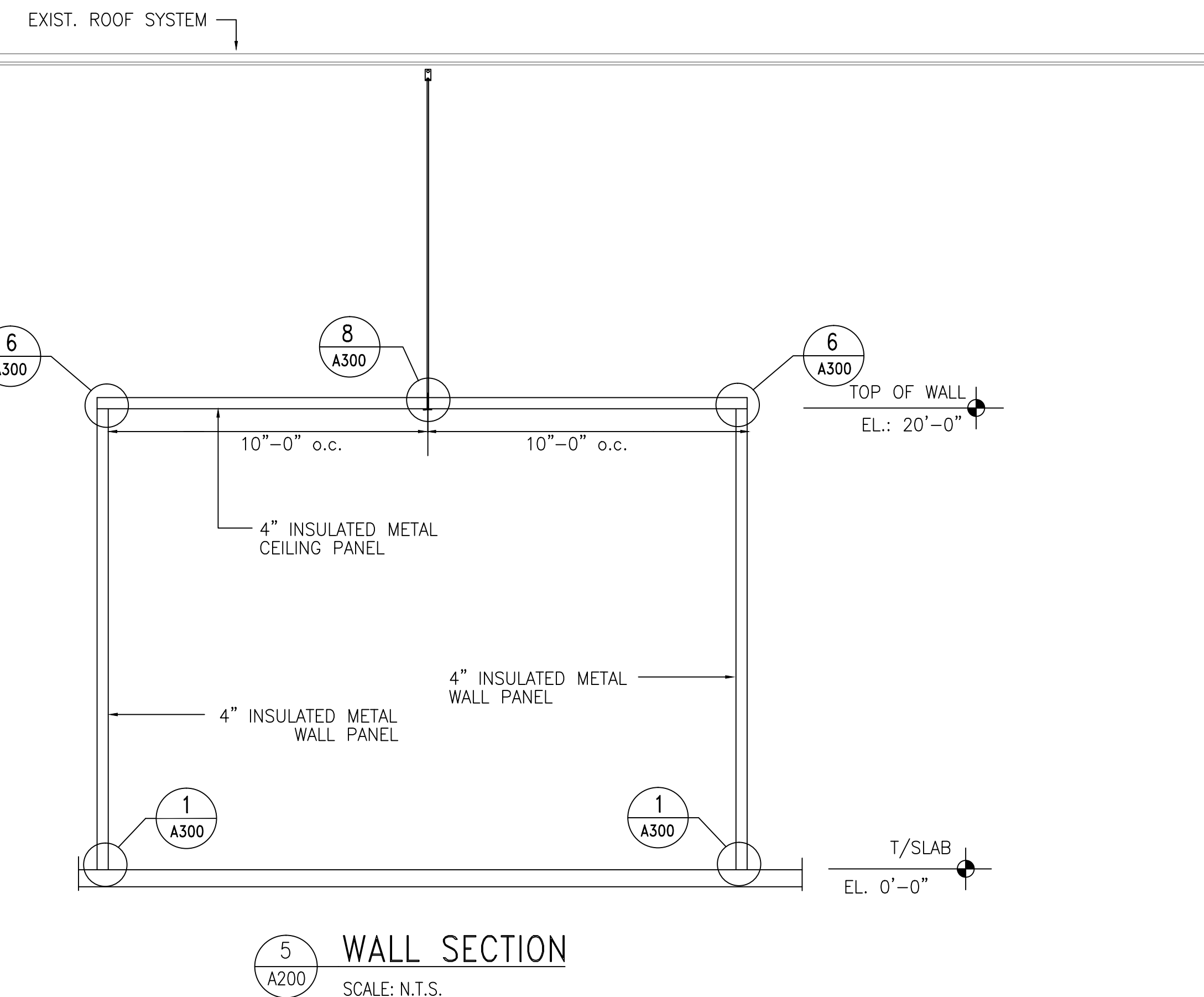
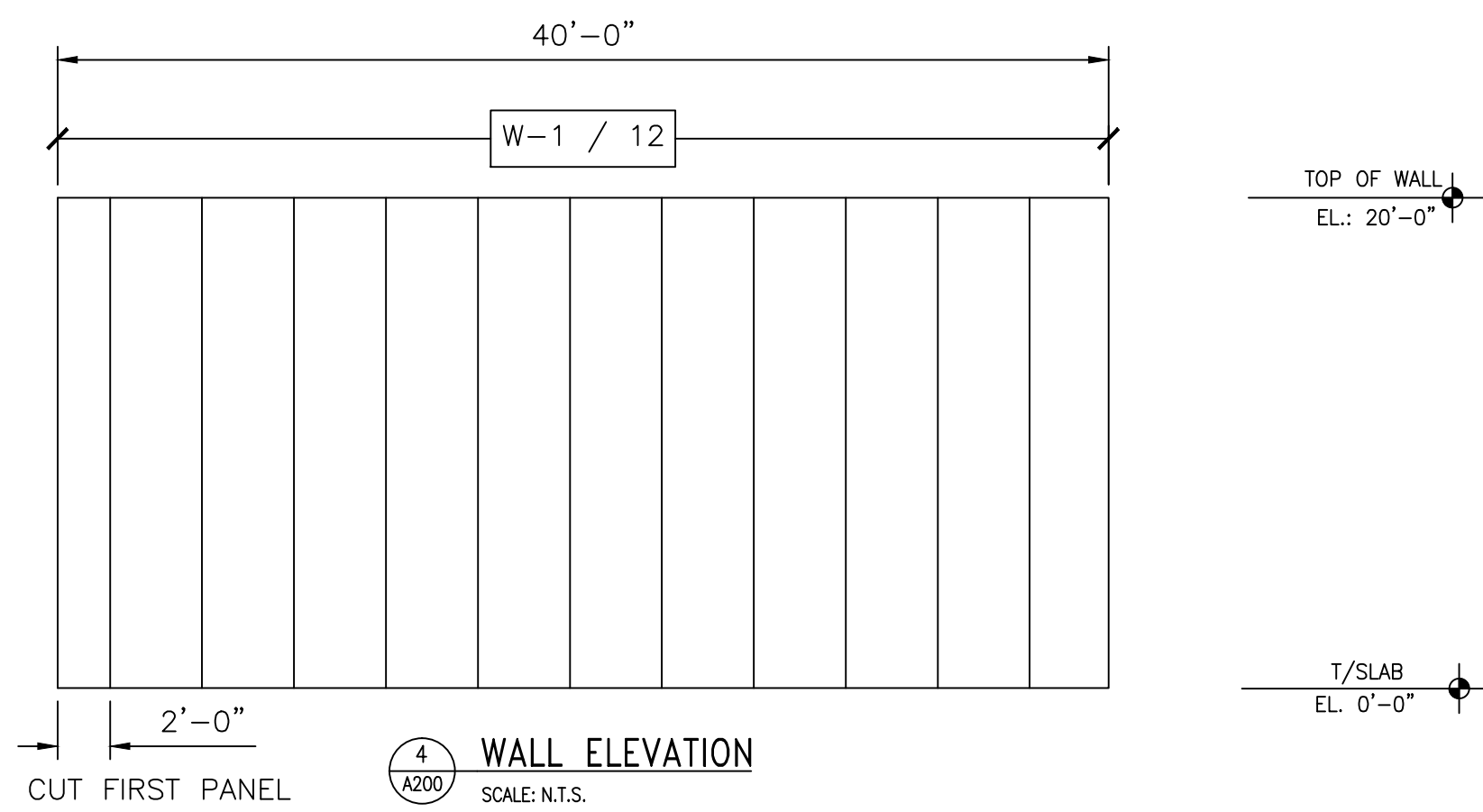
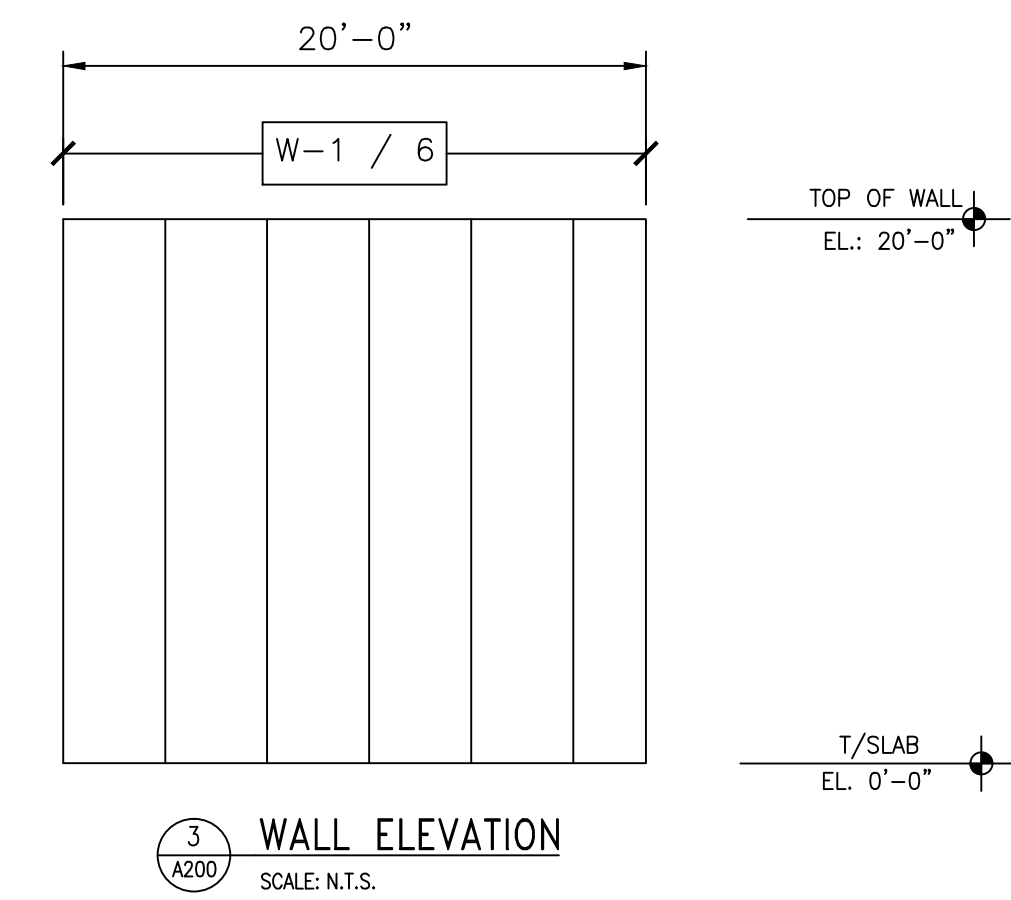
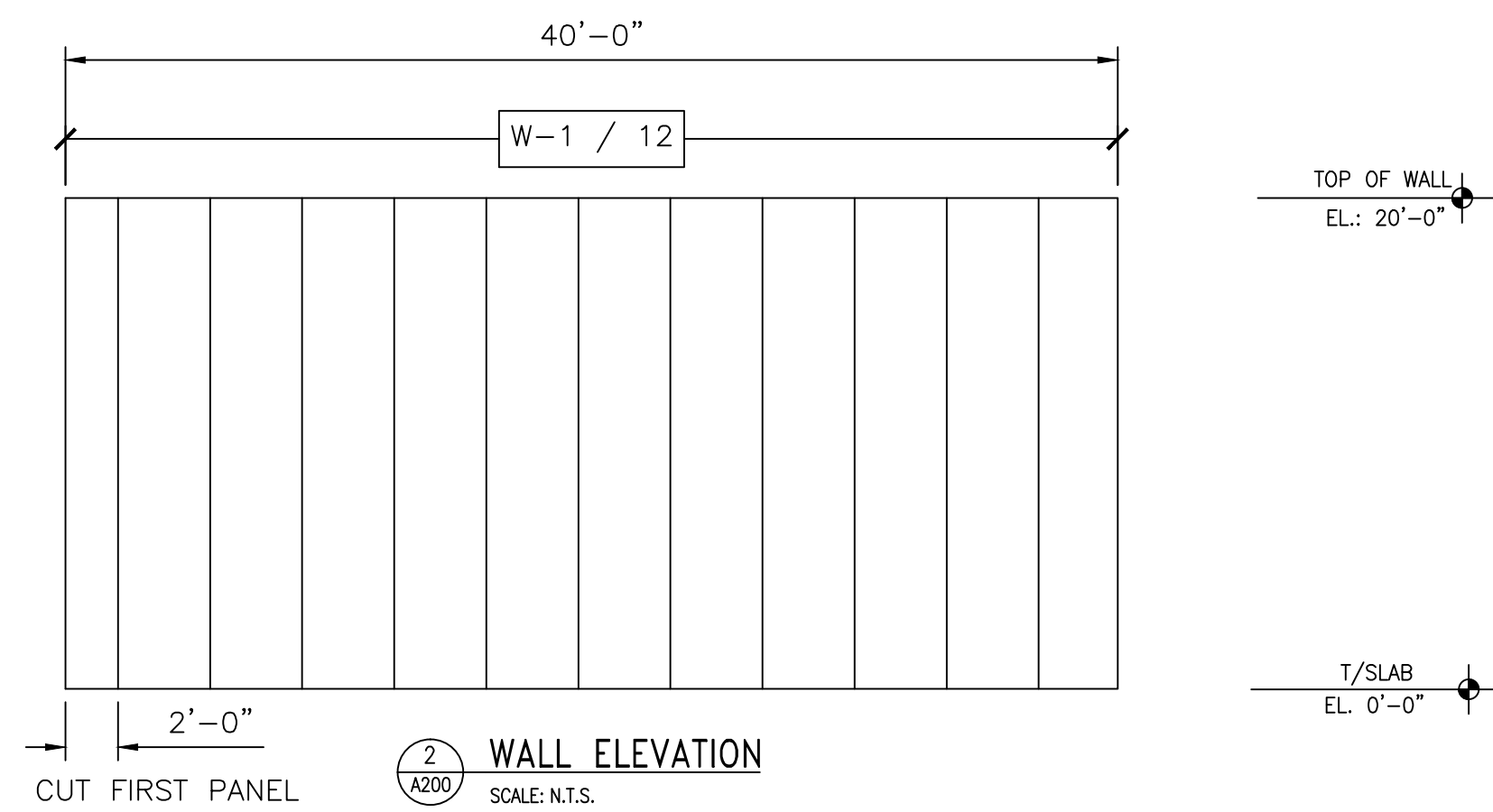
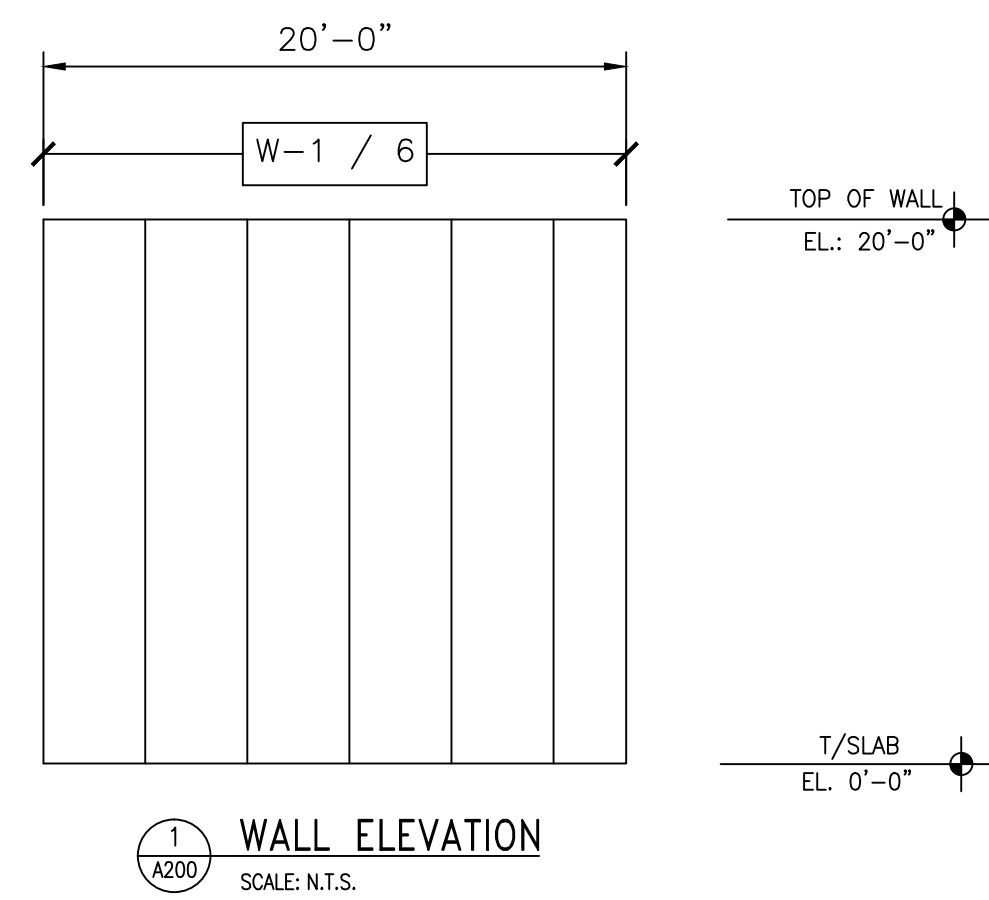
20' x 40' x 20'-4"
Drive-In Cooler

TOLERANCES UNLESS SPECIFIED
FRACTIONAL X/X" ± 1/32"
DECIMAL .XX ± .015
 .XXX ± .005
 .XXXX ± .001
ANGLE X' ± 0'30"
 XXX' ± 0'05"

Draftsman is not responsible for panel heights, quantities and/or dimensions. Contractor to verify all information.

FLOOR PLAN

DR.BY: KRZ
DATE: 8/30/2016
SCALE: NTS
CHECKED BY:
SHEET NO. A100



PANEL SCHEDULE

PANEL DESIG.	PANEL HEIGHT	QTY. OF PANELS	PANEL THICK	PANEL SERIES	PANEL COLOR
W-1	20'-0"	36	4"	MESALINE	USDA WHITE
C-2	20'-0"	12	4"	MESALINE	USDA WHITE

NO.	REVISION	BY	DATE

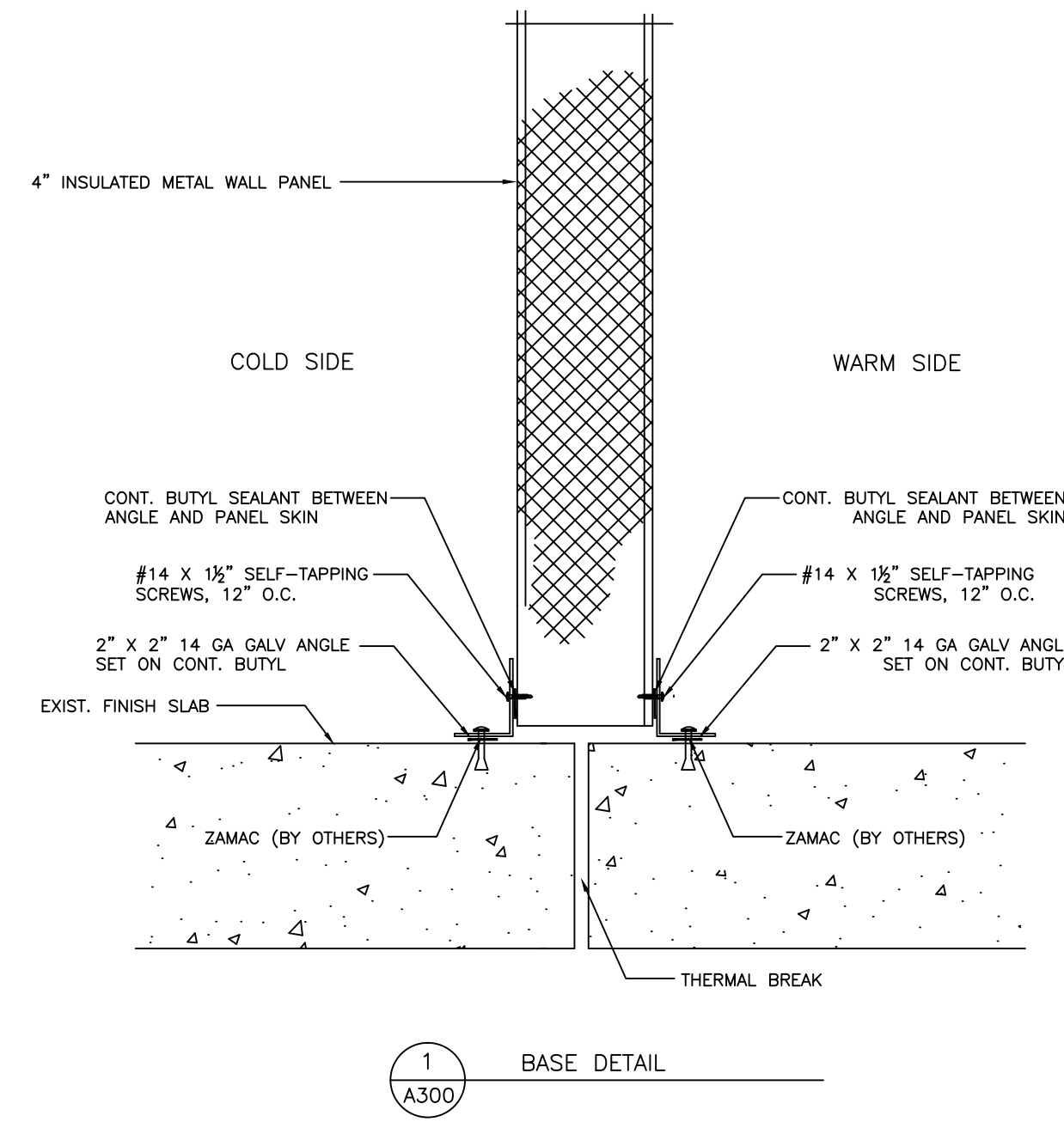
Barr Inc.
 1423 Planeview Drive
 Oshkosh, WI 54904
 920-231-1711 Phone

20' x 40' x 20'-4"
 Drive-In Cooler

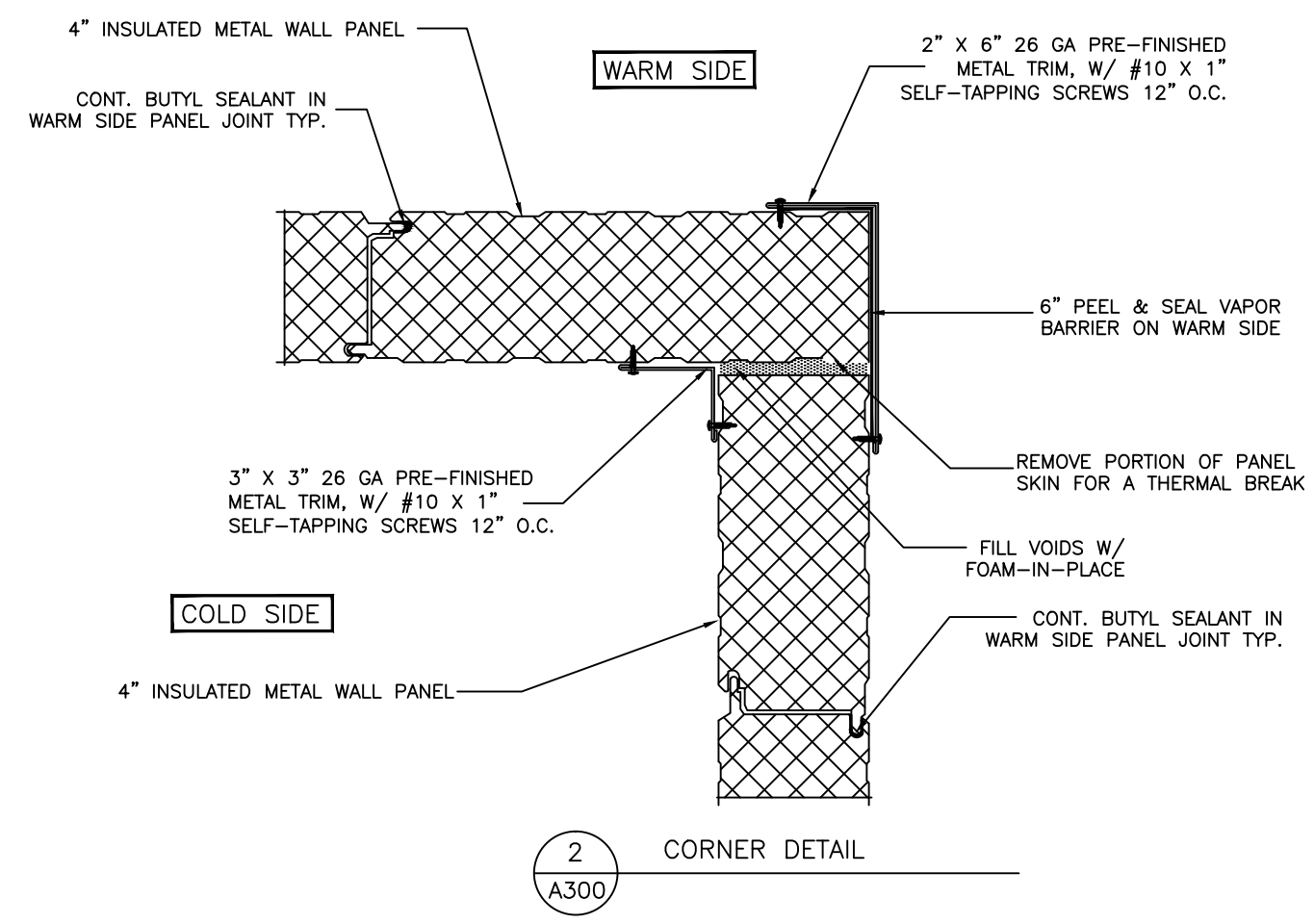
TOLERANCES UNLESS SPECIFIED
 FRACTIONAL .XX ± 1/32"
 DECIMAL .015 ± .005
 X' ± 0'30"
 X' ± 0'05"
 XXX ± .001
 XXXX ± .001
 Draftsman is not responsible for panel heights, quantities and/or dimensions. Contractor to verify all information.

WALL ELEVATIONS

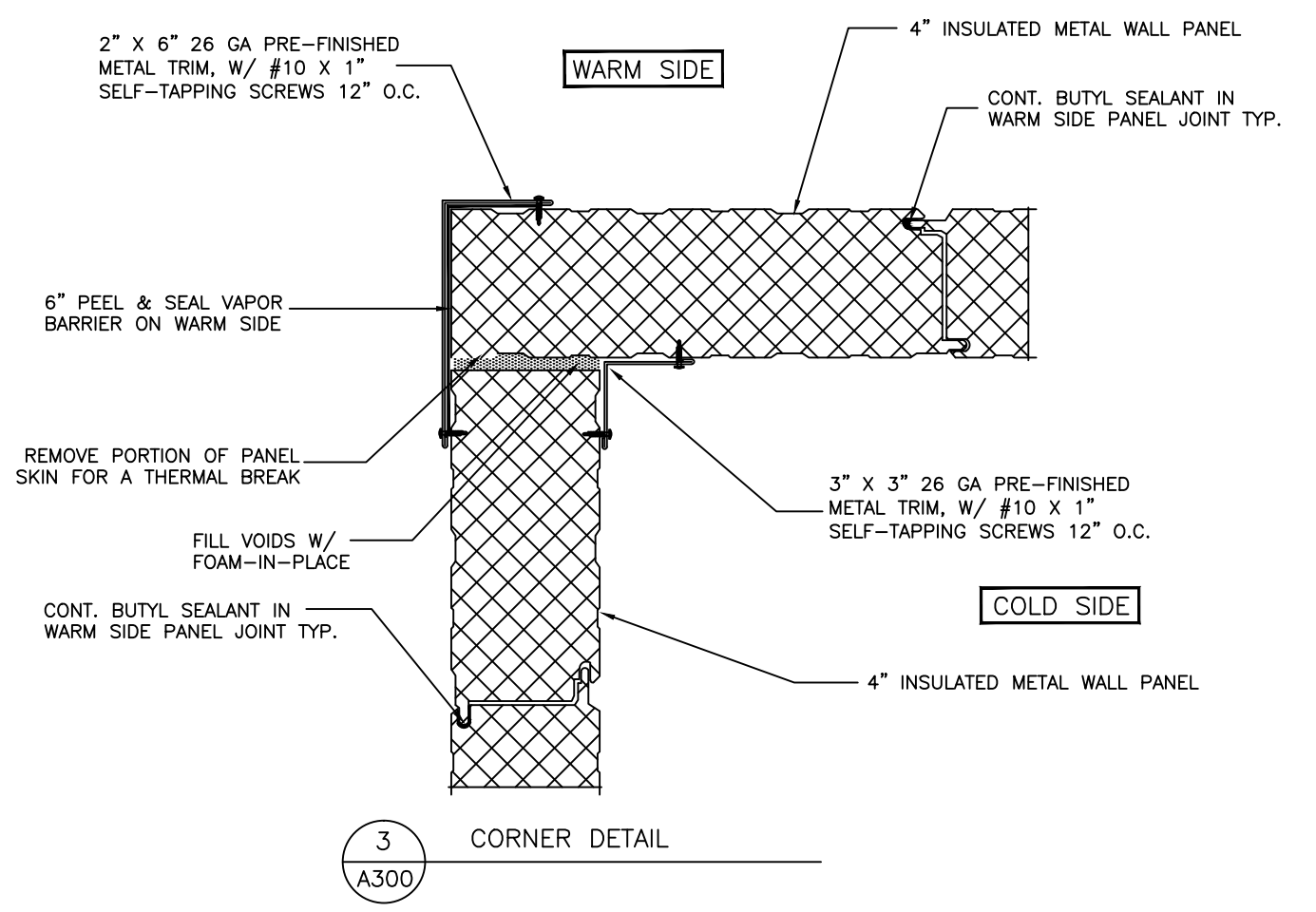
DR. BY: KRZ
 DATE: 8/30/2016
 SCALE: NTS
 CHECKED BY:
 SHEET NO. A200



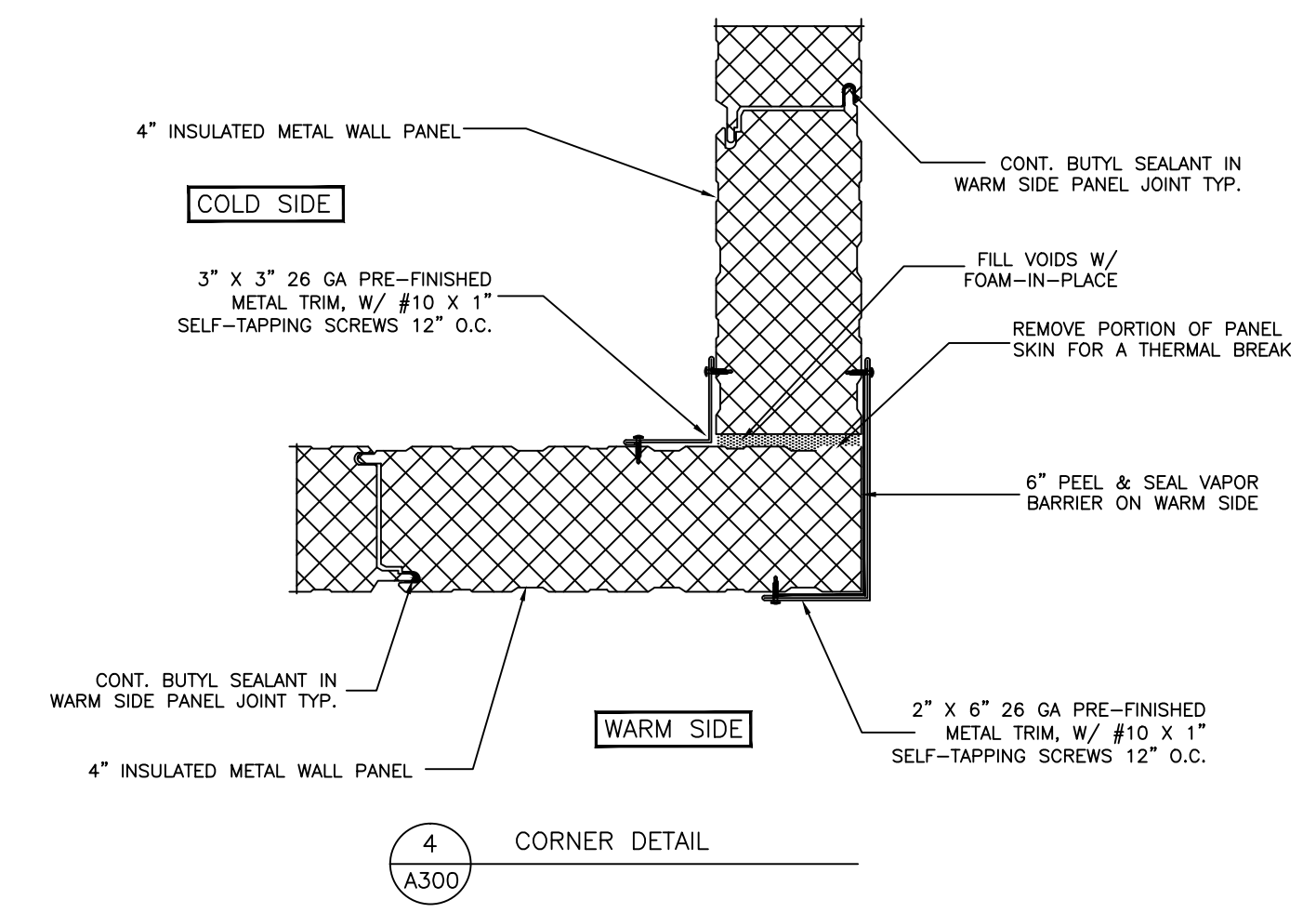
1 BASE DETAIL
A300



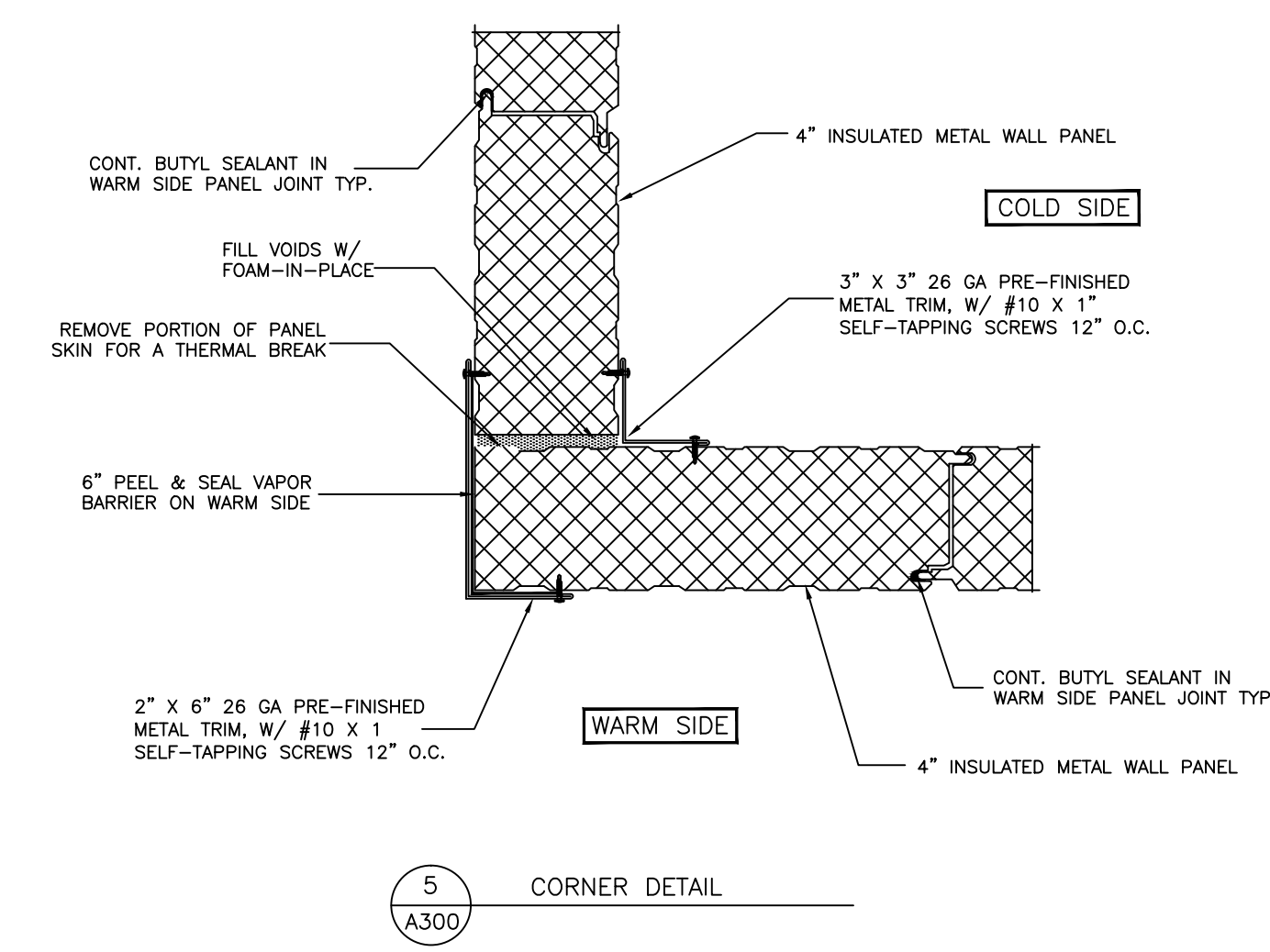
2 CORNER DETAIL
A300



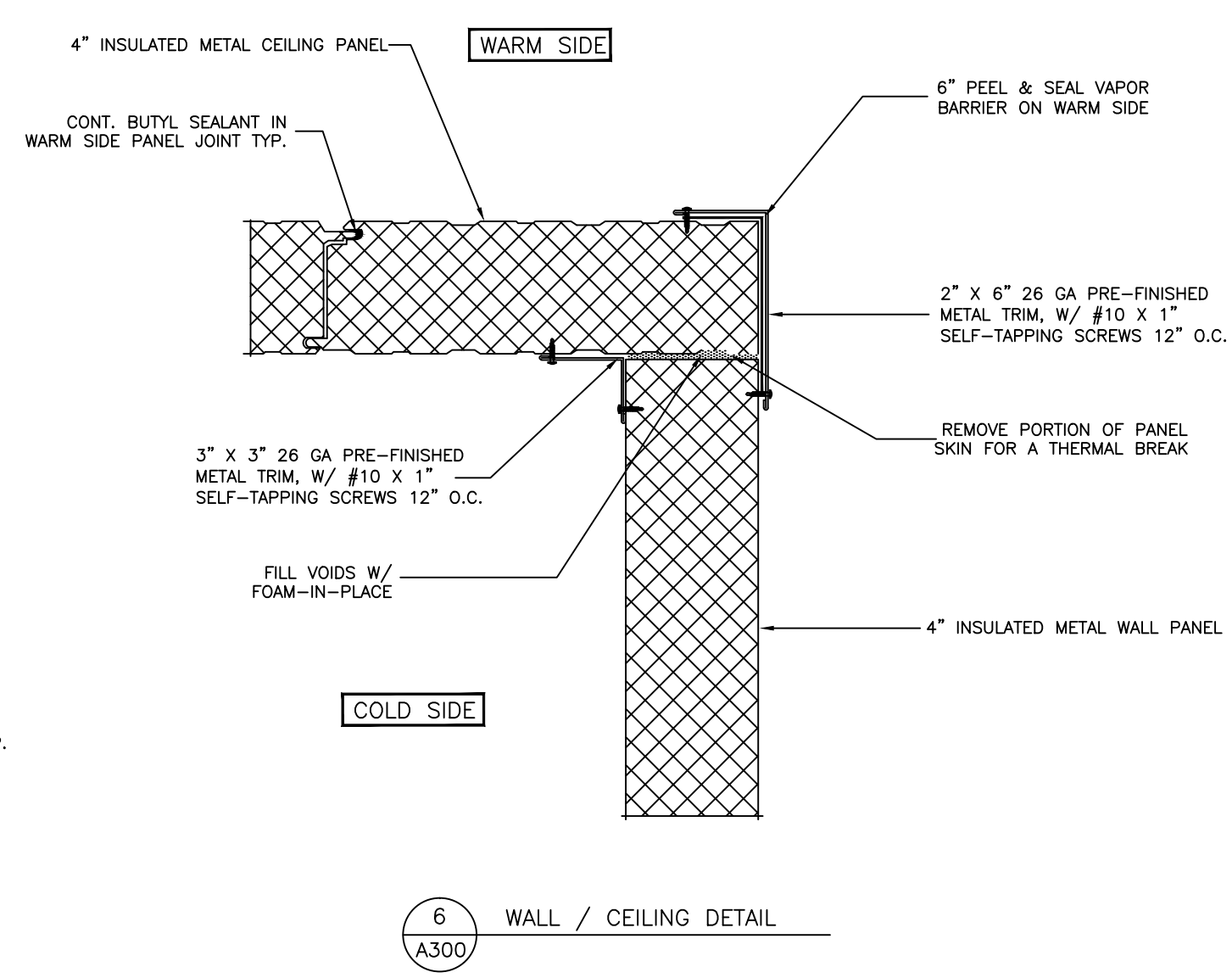
3 CORNER DETAIL
A300



4 CORNER DETAIL
A300

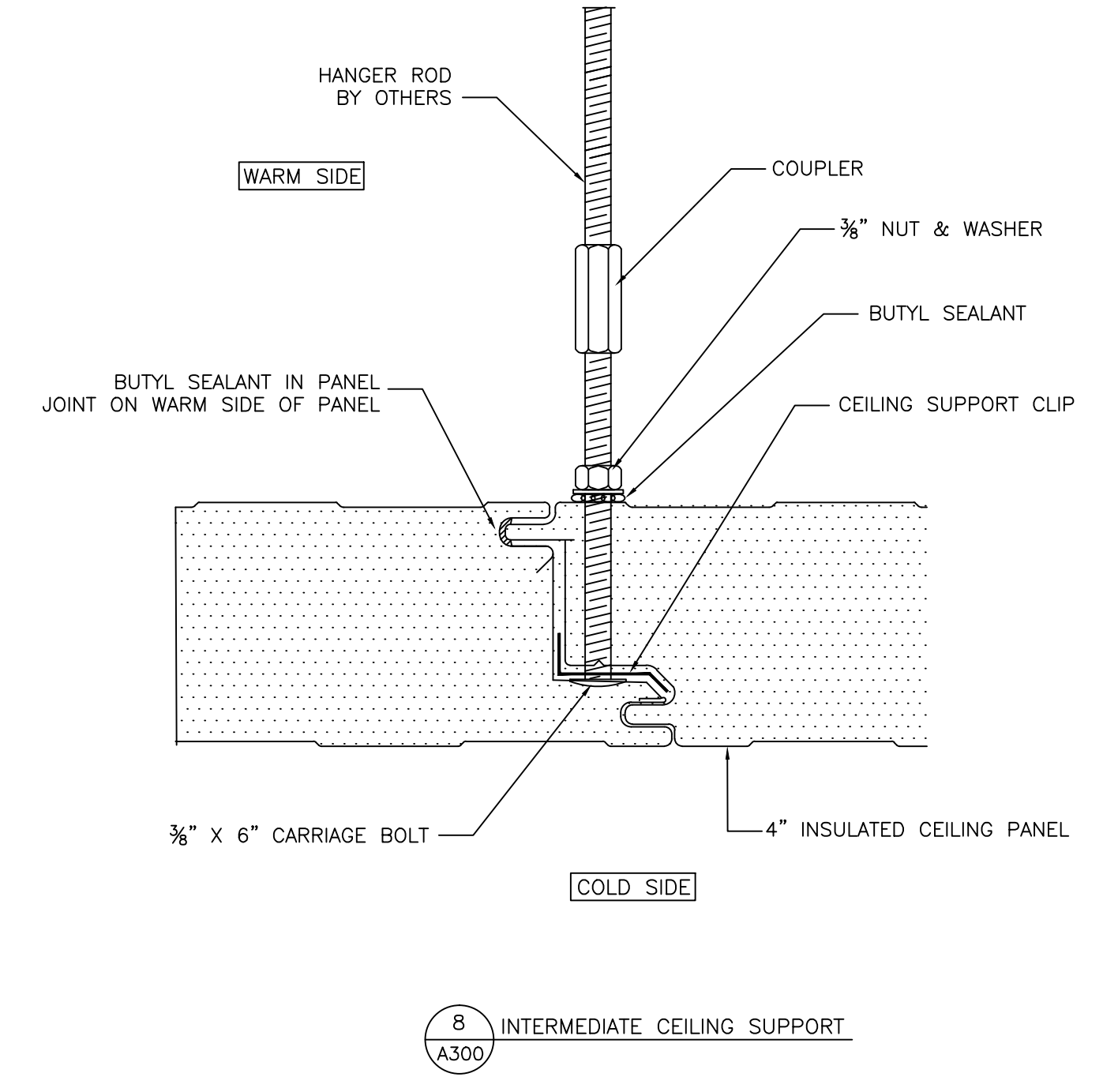


5 CORNER DETAIL
A300



6 WALL / CEILING DETAIL
A300

7 NOT USED
A300



8 INTERMEDIATE CEILING SUPPORT
A300

Barr Inc.
1423 Planeview Drive
Oshkosh, WI 54904
920-231-1711 Phone

20' x 40' x 20'-4"
Drive-In Cooler

TOLERANCES UNLESS SPECIFIED
FRACTIONAL X/X" ± 1/32"
DECIMAL .XX ± .015
.XXX ± .005
.XXXX ± .001
ANGLE X° ± 0°30'
X'XX' ± 0°05'
DRAFTSMAN IS NOT RESPONSIBLE FOR PANEL HEIGHTS, QUANTITIES, AND / OR DIMENSIONS. CONTRACTOR TO VERIFY ALL INFORMATION.

WALL DETAILS

DR.BY: KRZ
DATE: 8/30/2016
SCALE: NTS
CHECKED BY:
SHEET NO. A300