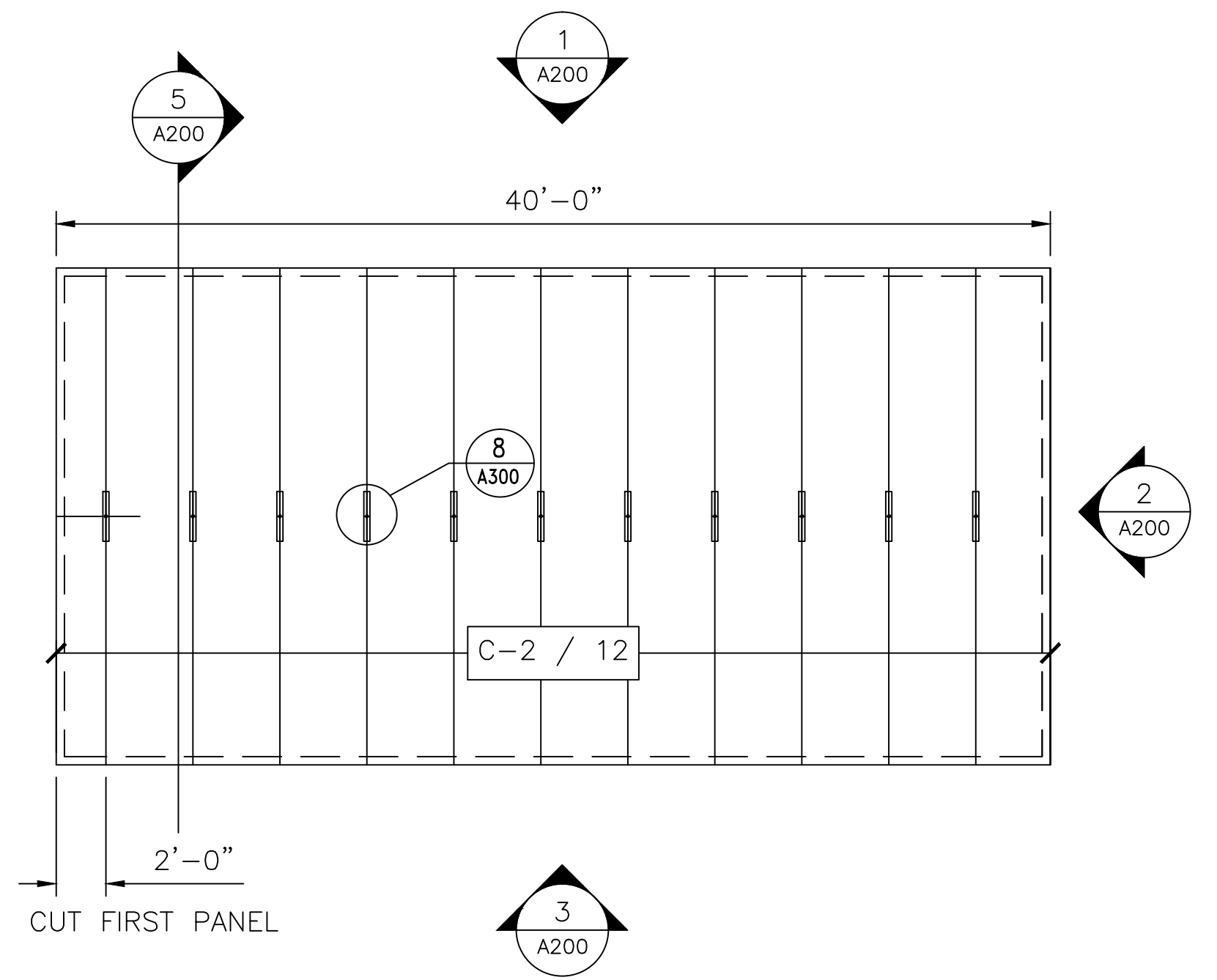


1 FLOOR PLAN  
SCALE: N.T.S.



2 CEILING PLAN  
SCALE: N.T.S.

PANEL SCHEDULE

PANEL DESIG.	PANEL HEIGHT	QTY OF PANELS	PANEL THICK	PANEL SERIES	PANEL COLOR
W-1	16'-0"	36	4"	MESALINE	USDA WHITE
C-2	20'-0"	12	4"	MESALINE	USDA WHITE

NO.	REVISION	BY	DATE

Barr Inc.  
1423 Planeview Drive  
Oshkosh, WI 54904  
920-231-1711 Phone

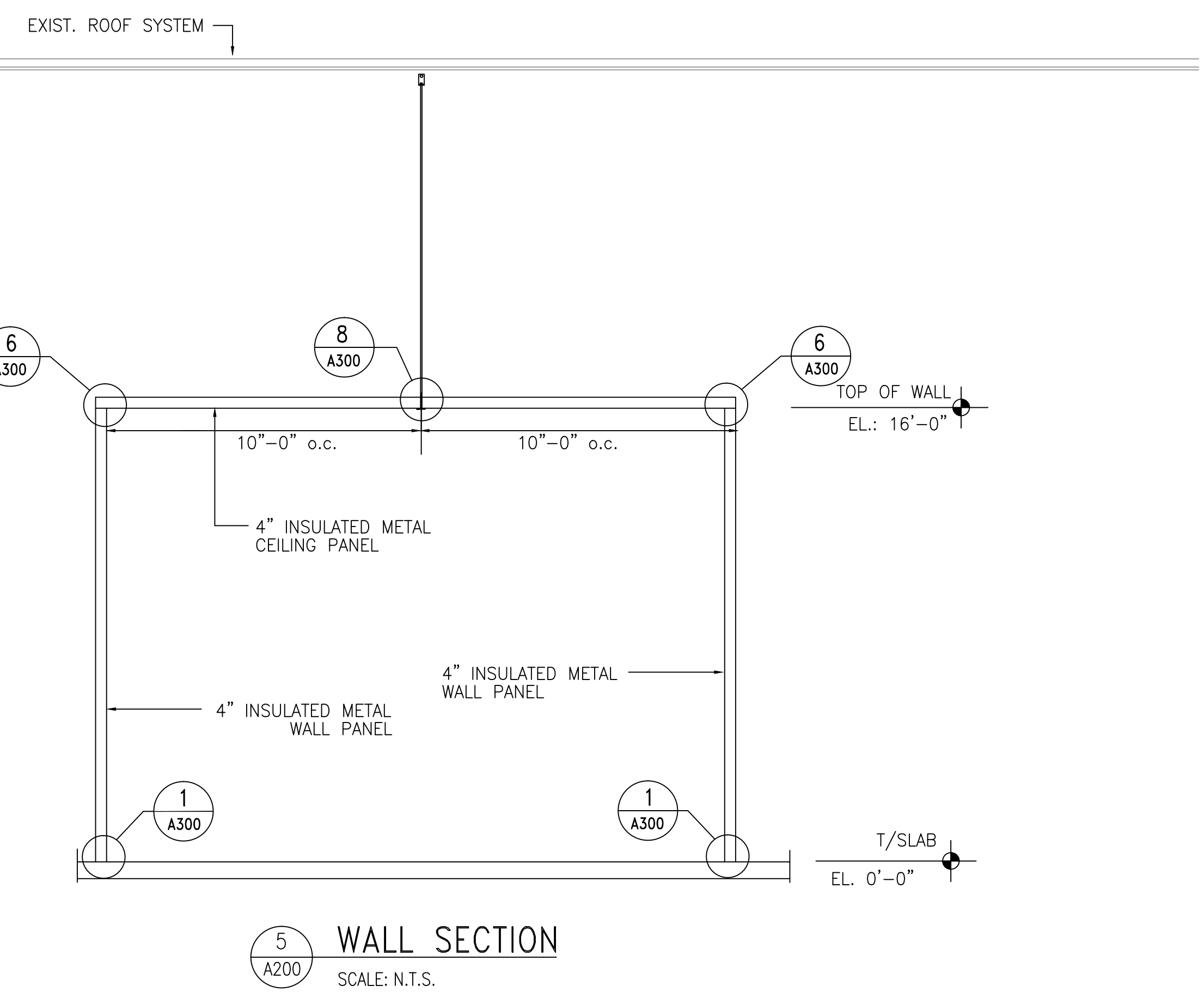
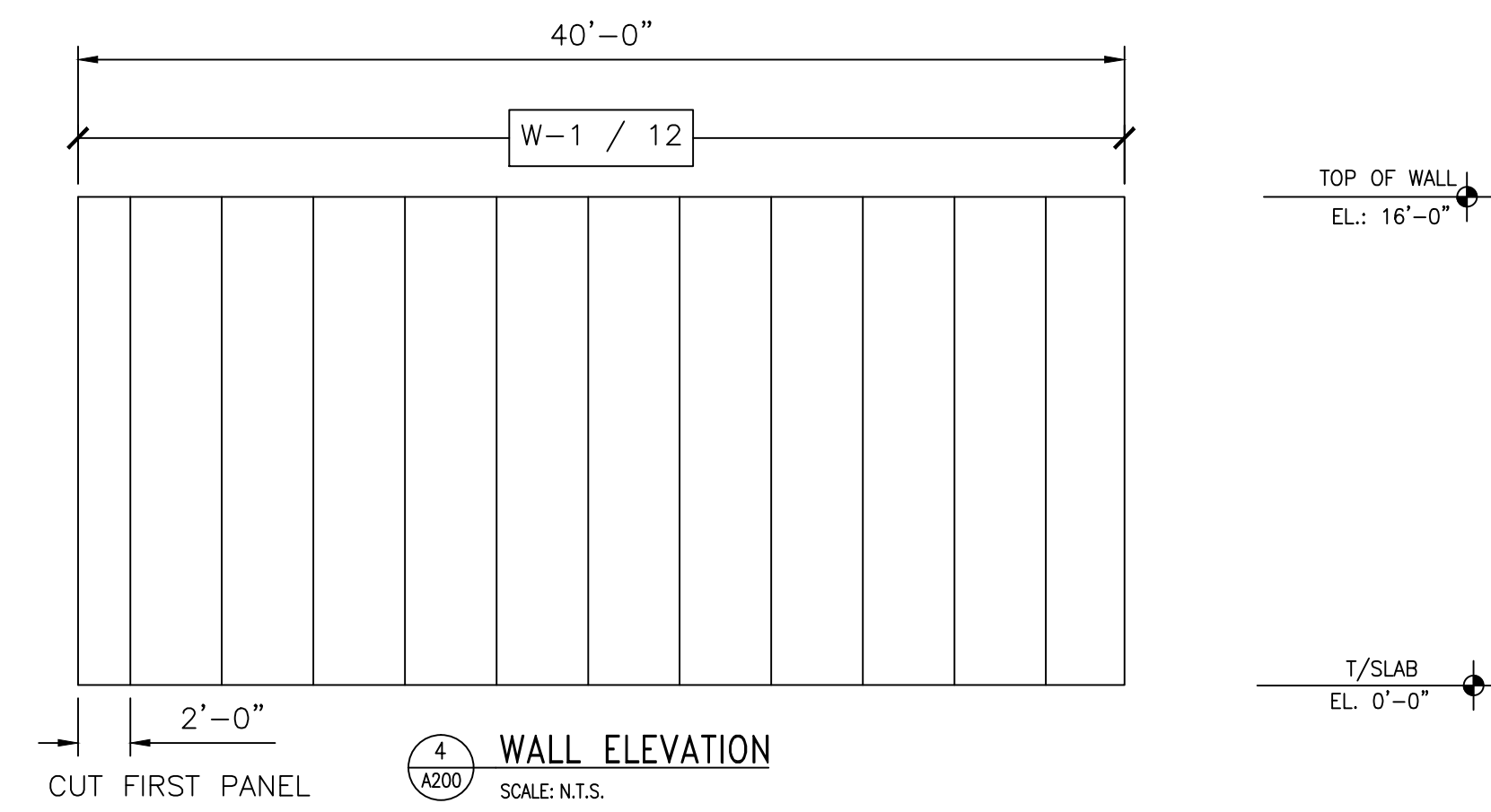
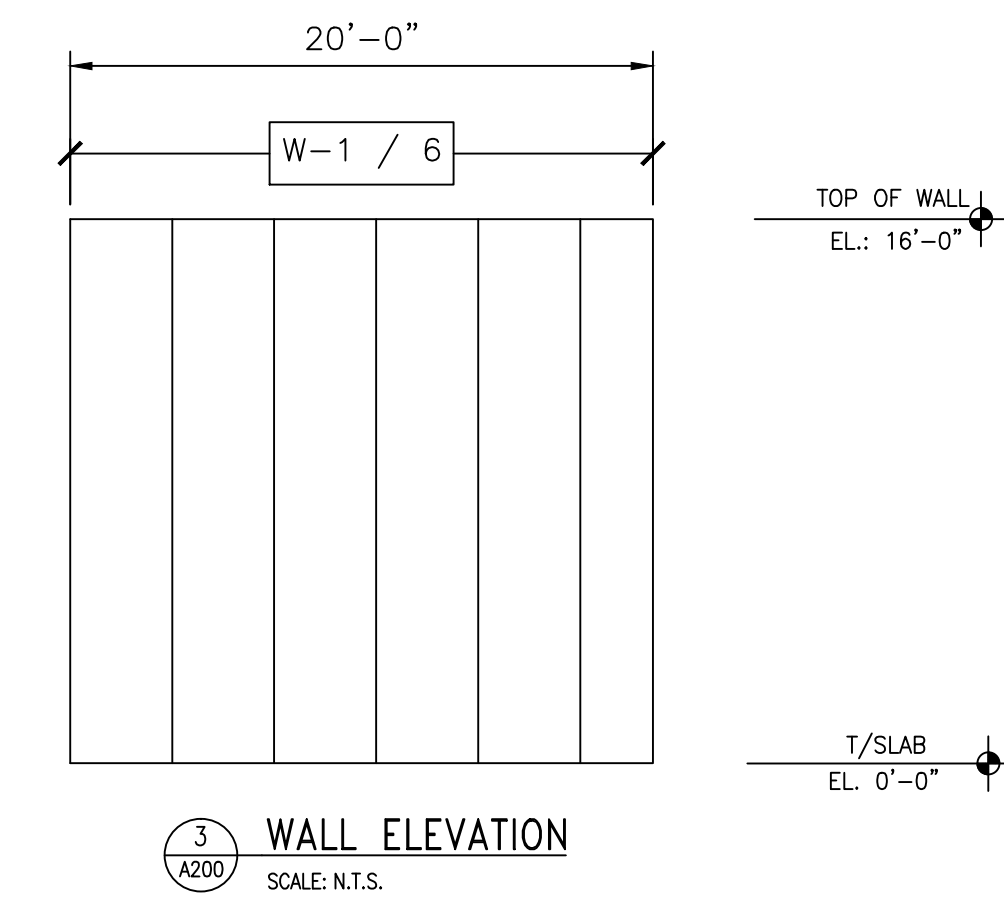
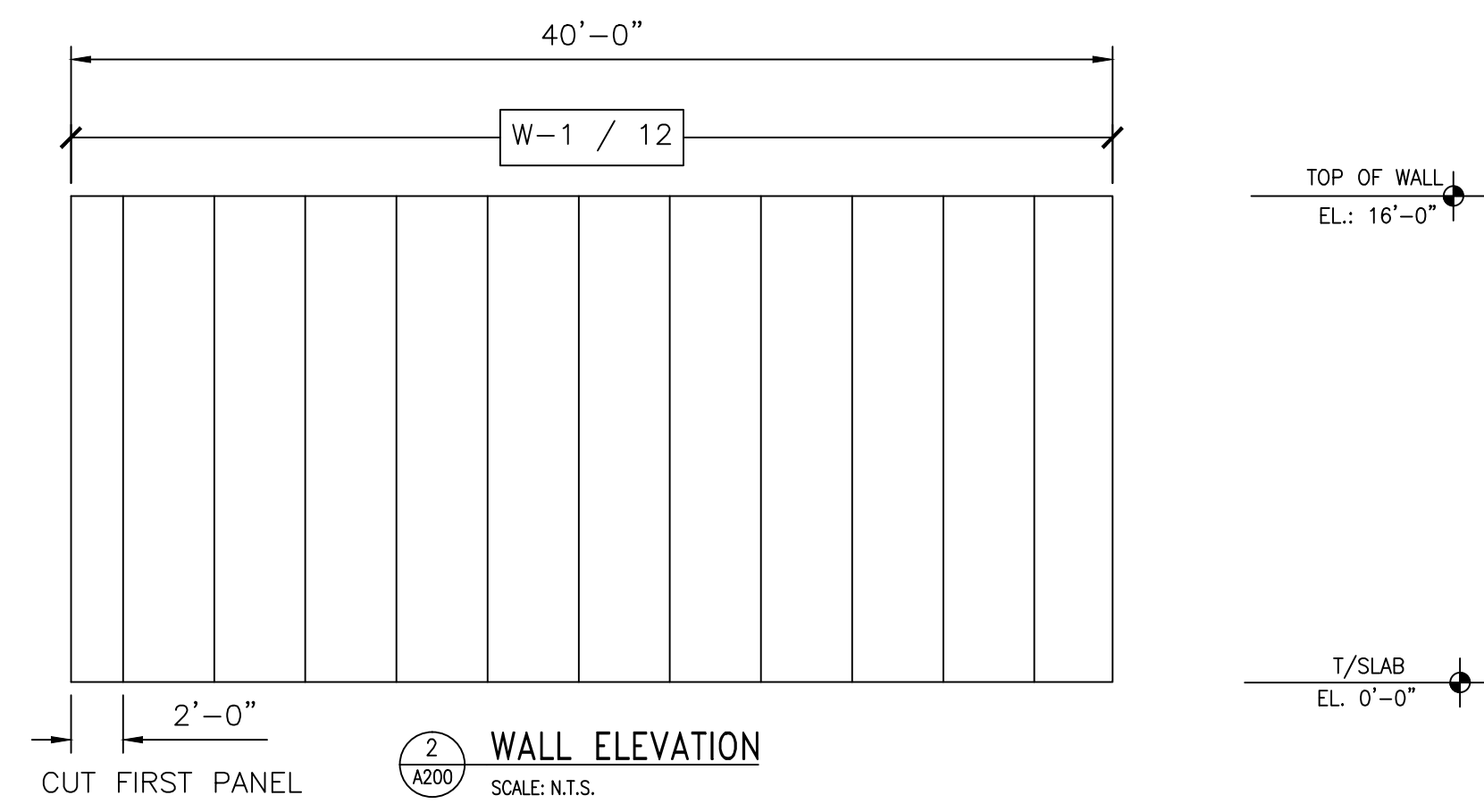
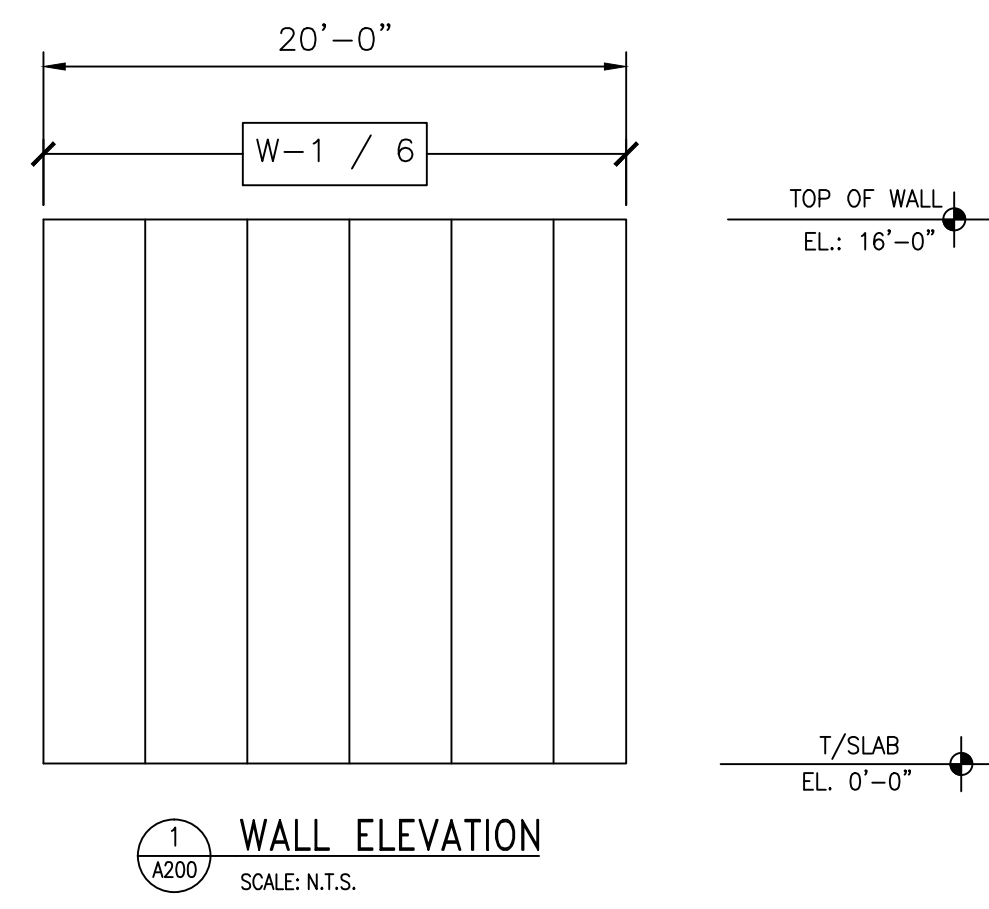
20' x 40' x 16'-4"  
Drive-In Cooler

TOLERANCES UNLESS SPECIFIED  
FRACTIONAL .XX ± 1/32" .XX ± 1/32" X ± 0°30' ANGLE  
DECIMAL .015 ± .015 .05 ± .05 .1 ± .1  
XXX ± .005 .XXX ± .005 .XXXX ± .001

Draftsman is not responsible for panel heights, quantities and/or dimensions. Contractor to verify all information.

FLOOR PLAN

DR.BY: KRZ  
DATE: 8/30/2016  
SCALE: NTS  
CHECKED BY:  
SHEET NO. A100



PANEL SCHEDULE

PANEL DESIG.	PANEL HEIGHT	QTY. OF PANELS	PANEL THICK	PANEL SERIES	PANEL COLOR
W-1	16'-0"	36	4"	MESALINE	USDA WHITE
C-2	20'-0"	12	4"	MESALINE	USDA WHITE

NO.	REVISION	BY	DATE

**Barr Inc.**  
 1423 Planeview Drive  
 Oshkosh, WI 54904  
 920-231-1711 Phone

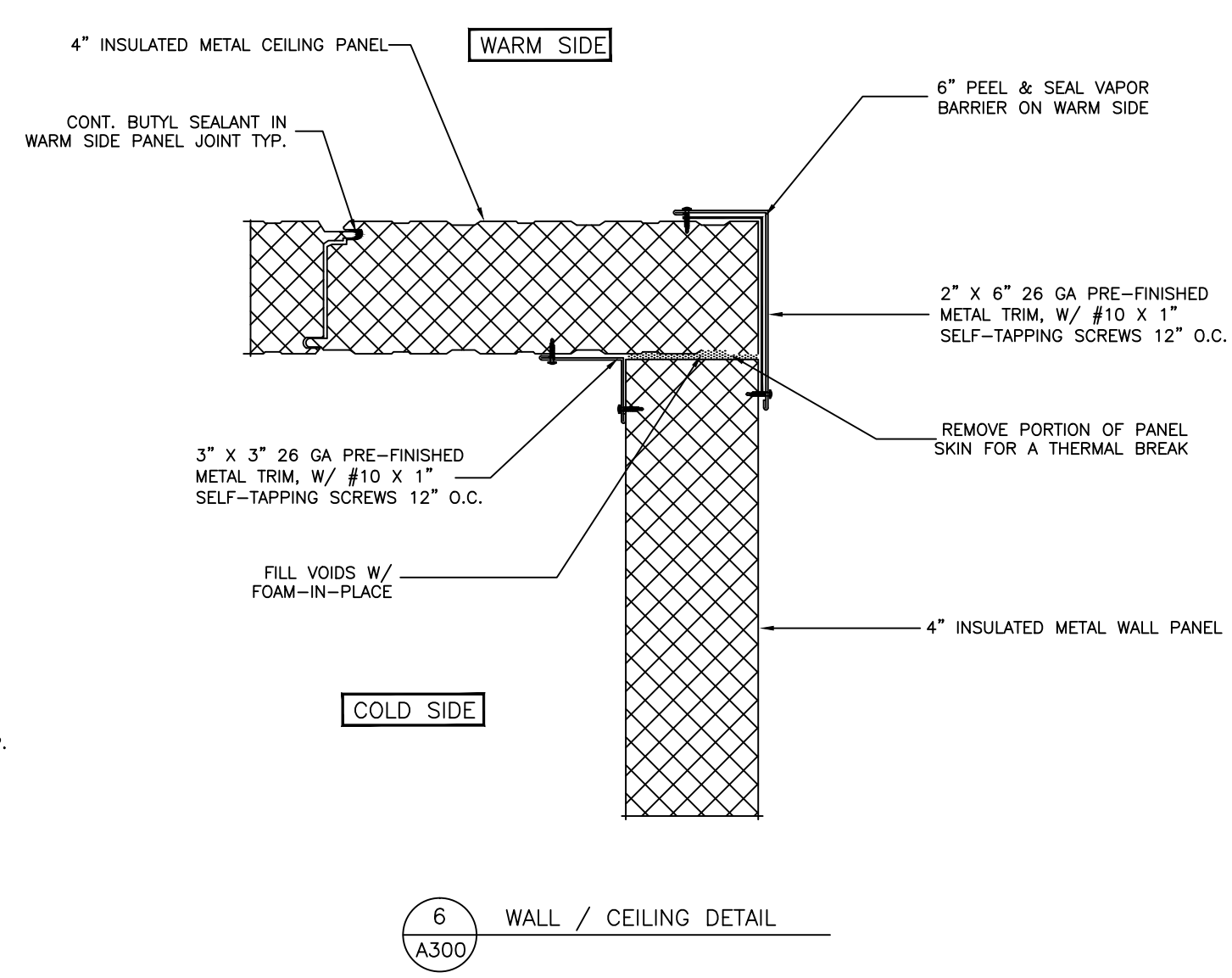
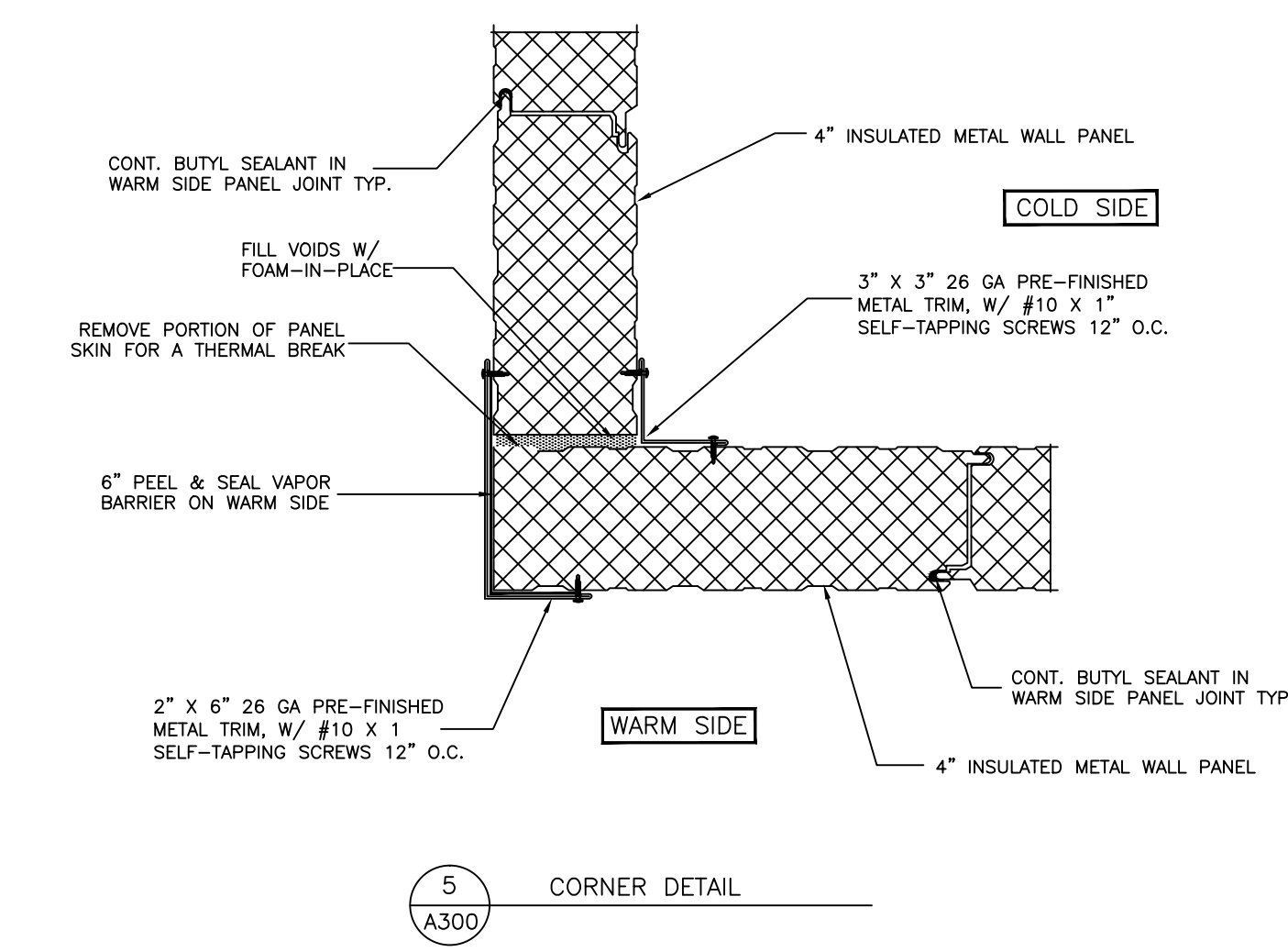
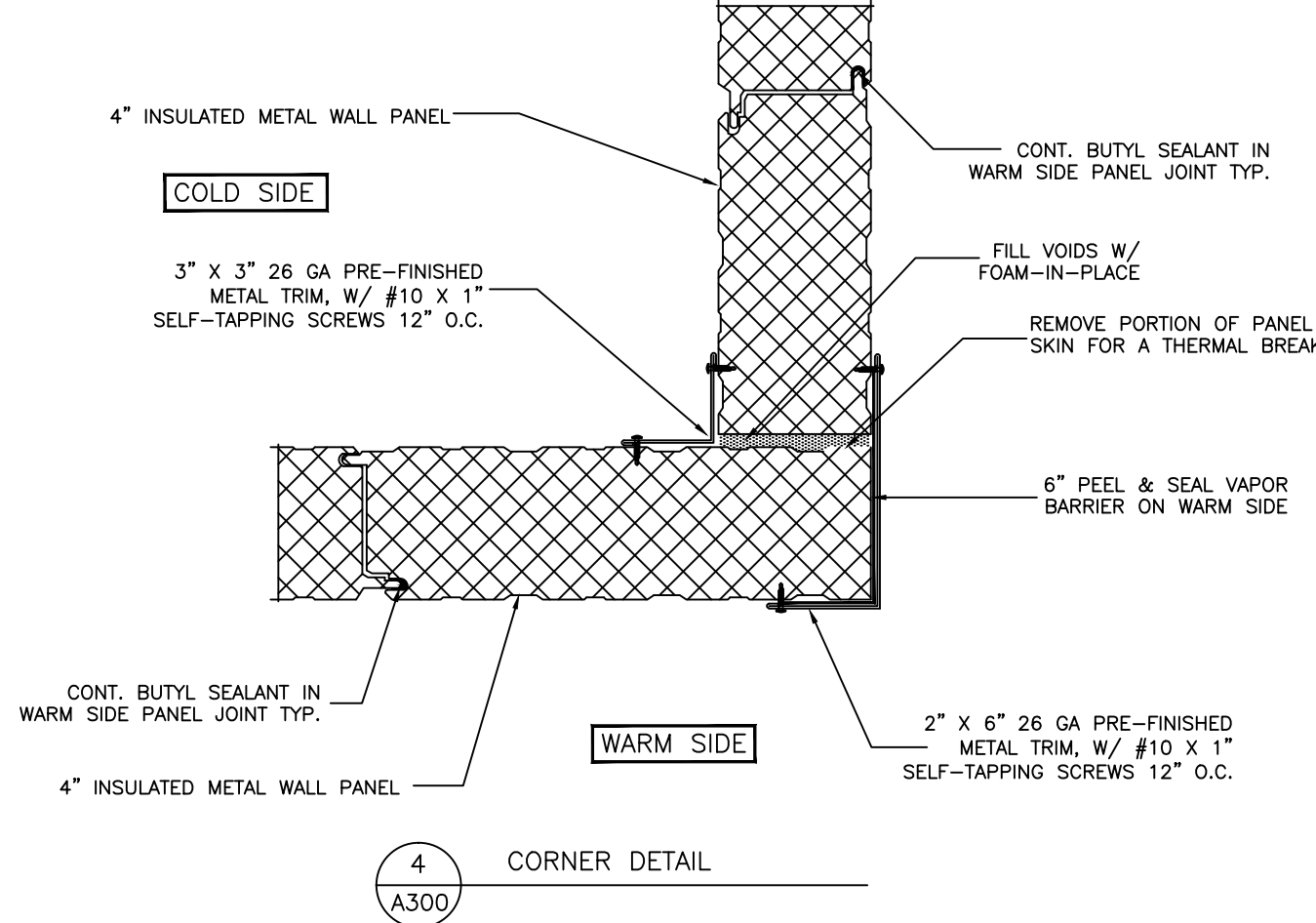
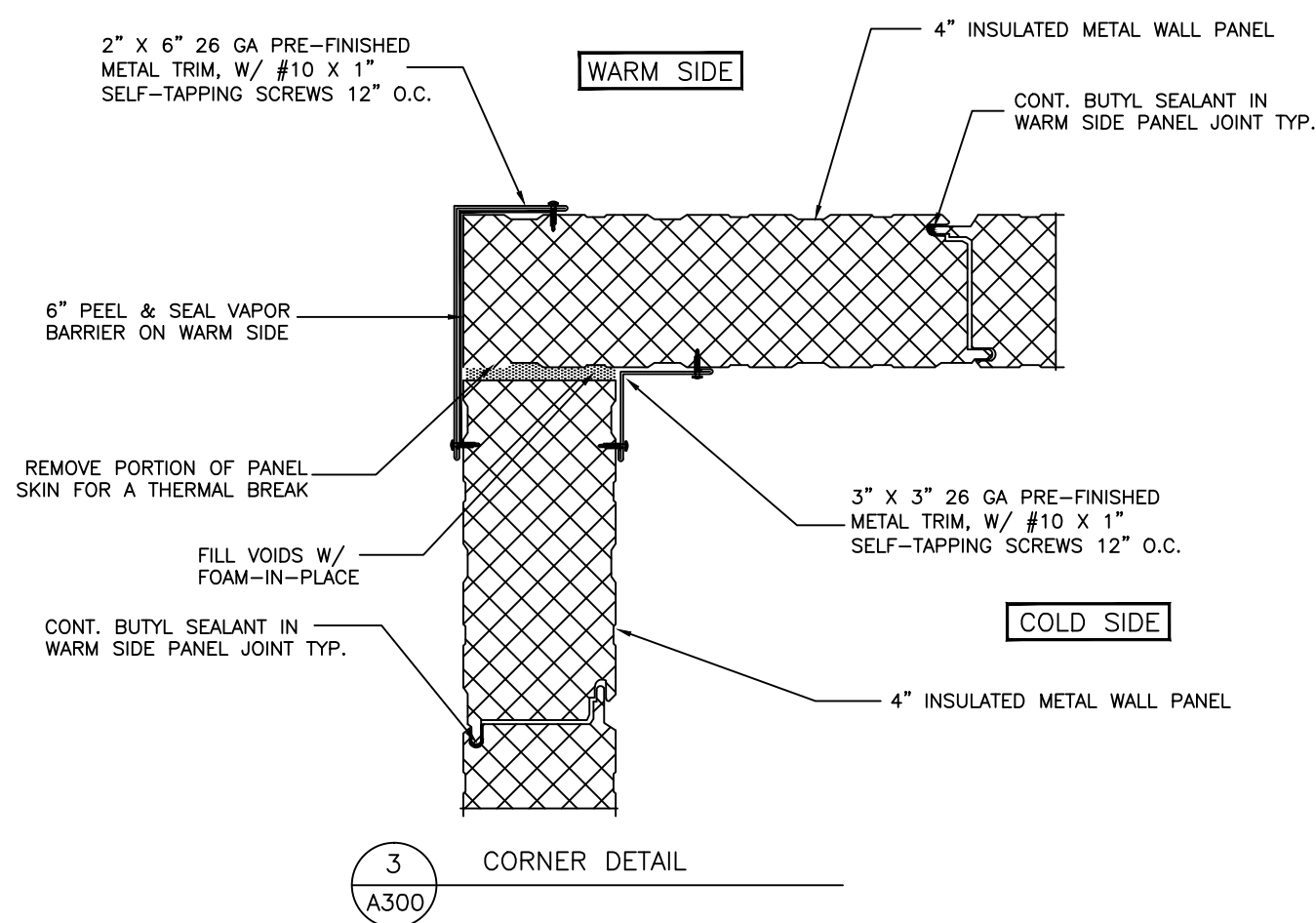
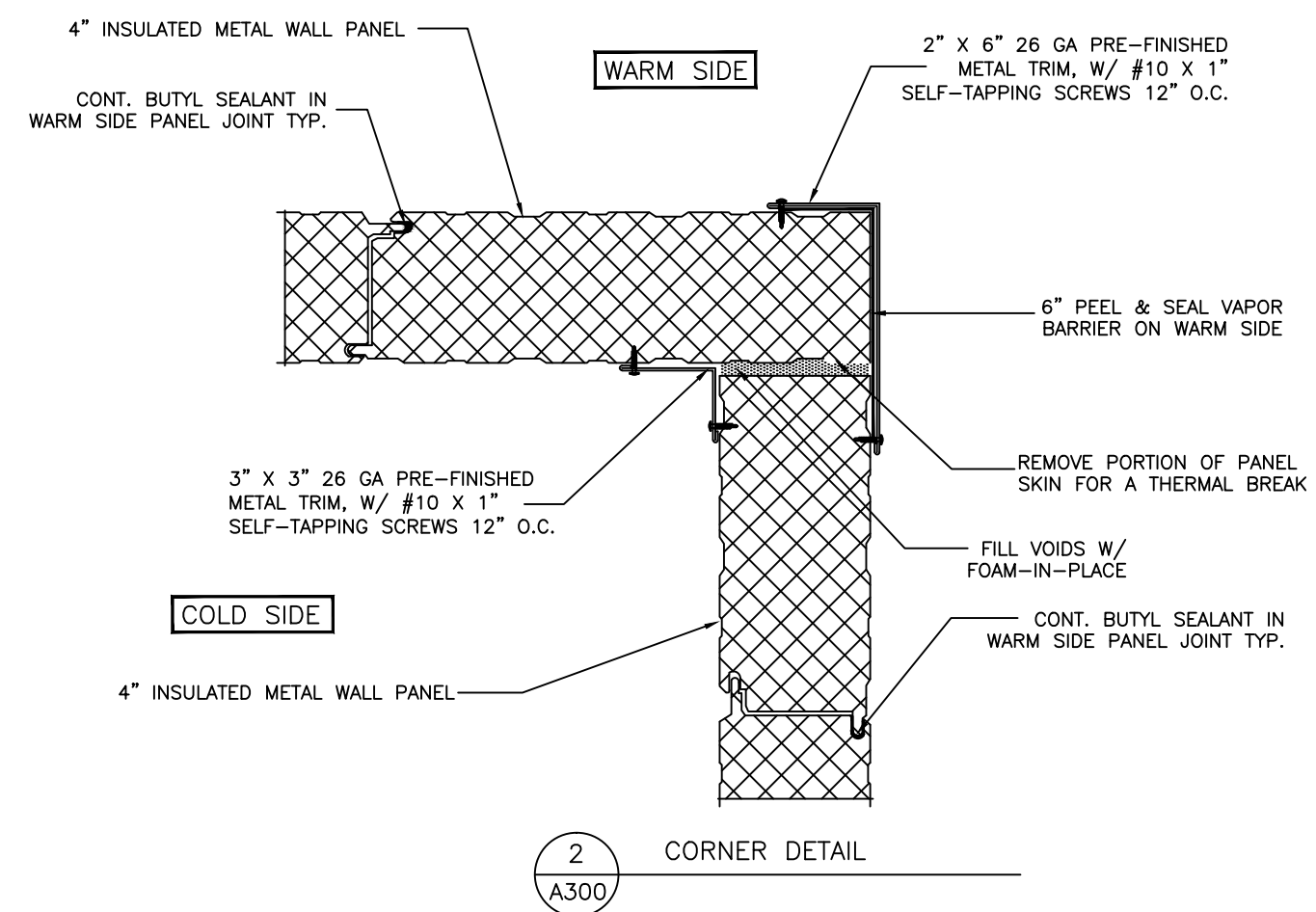
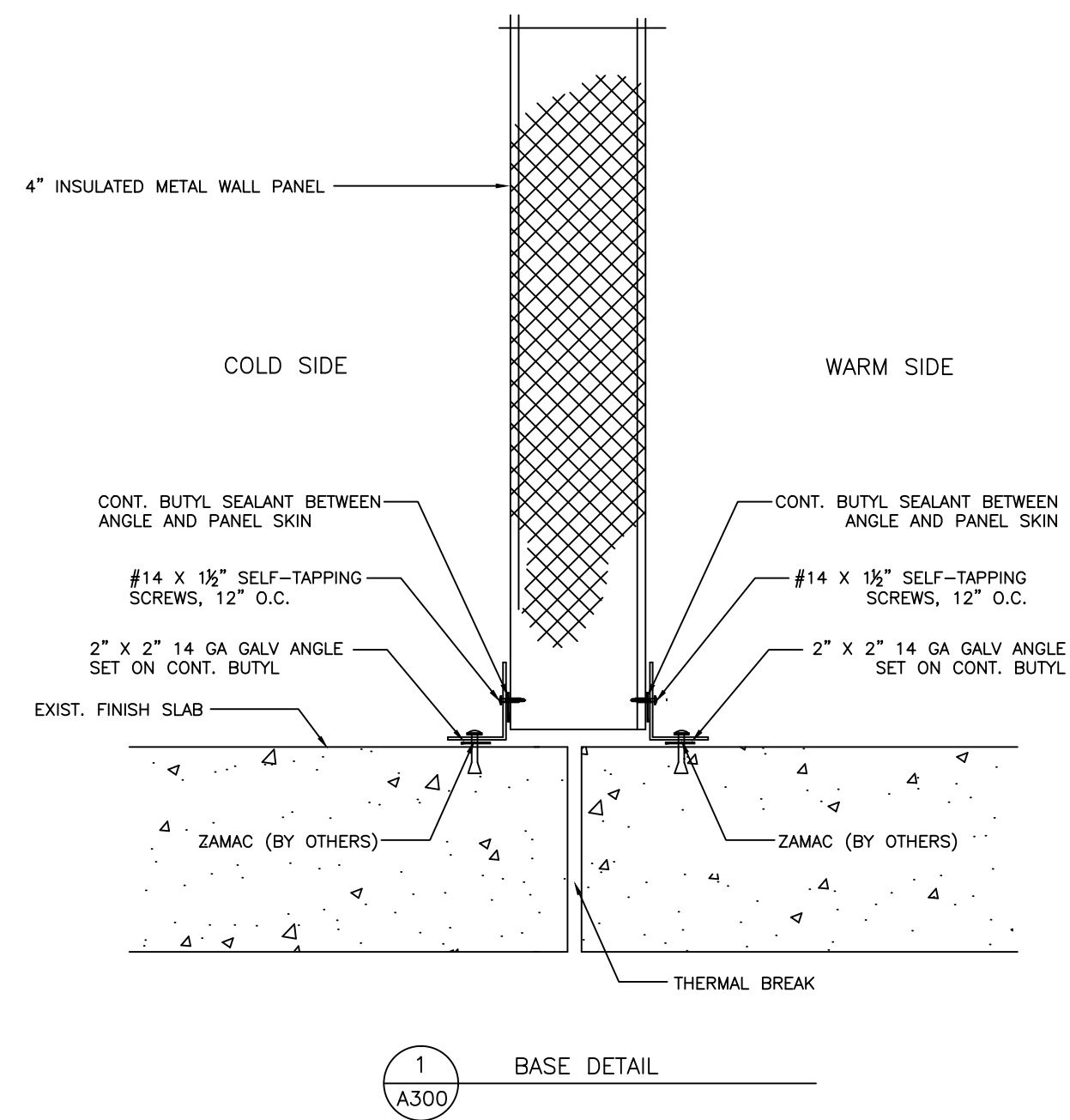
**20' x 40' x 16'-4"**  
 Drive-In Cooler

TOLERANCES UNLESS SPECIFIED  
 FRACTIONAL .XX ± 1/32"  
 DECIMAL .015 ± .005  
 X' ± .030"  
 ANGLE .XXX ± .005  
 .XXXX ± .001

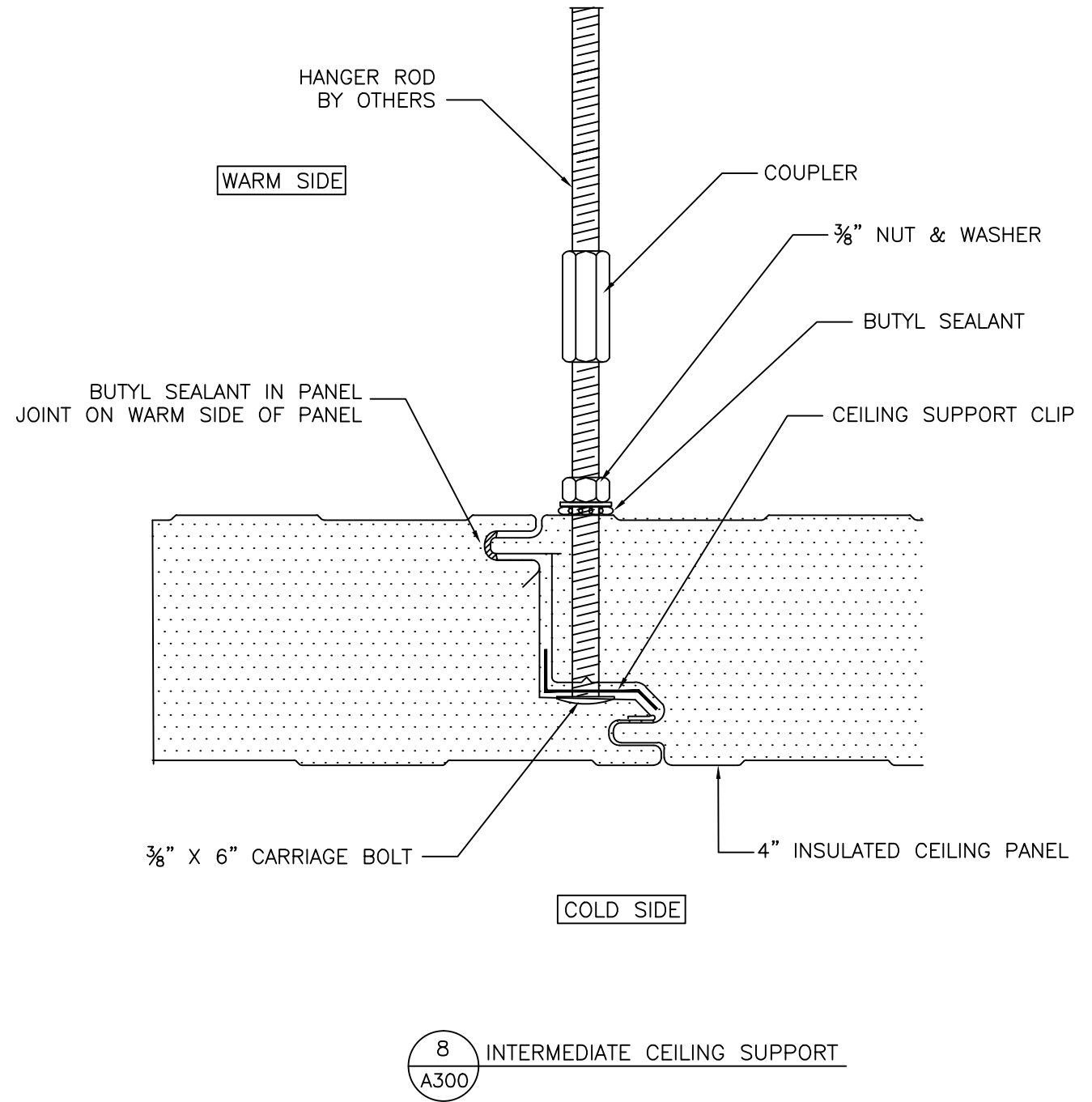
Draftsman is not responsible for panel heights, quantities and/or dimensions. Contractor to verify all information.

**WALL ELEVATIONS**

DR. BY: KRZ  
 DATE: 8/30/2016  
 SCALE: NTS  
 CHECKED BY:  
 SHEET NO. A200



7 NOT USED  
A300



NO.	REVISION	BY	DATE

**Barr Inc.**  
1423 Planeview Drive  
Oshkosh, WI 54904  
920-231-1711 Phone

**20' x 40' x 16'-4"**  
Drive-In Cooler

TOLERANCES UNLESS SPECIFIED  
FRACTIONAL X/X" ± 1/32"  
DECIMAL .XX ± .015  
X" ± 0.30"  
ANGLE .XXX ± .005  
XXX ± .001  
XXXX ± .001  
Draftsman is not responsible for panel heights, quantities and/or dimensions. Contractor to verify all information.

DR.BY: KRZ  
DATE: 8/30/2016  
SCALE: NTS  
CHECKED BY:  
SHEET NO. A300

WALL DETAILS