

Barr Inc.

1423 Planeview Drive
Oshkosh, WI 54904
920-231-1711 Phone

20' x 40' x 12'-5" Drive-In Freezer

DRAWING INDEX

T.1	TITLE SHEET
A100	FLOOR/CEILING PLAN
A200	INSULATED WALL PANEL ELEVATIONS
A300	INSULATED WALL PANEL DETAILS

NO.	REVISION	DATE

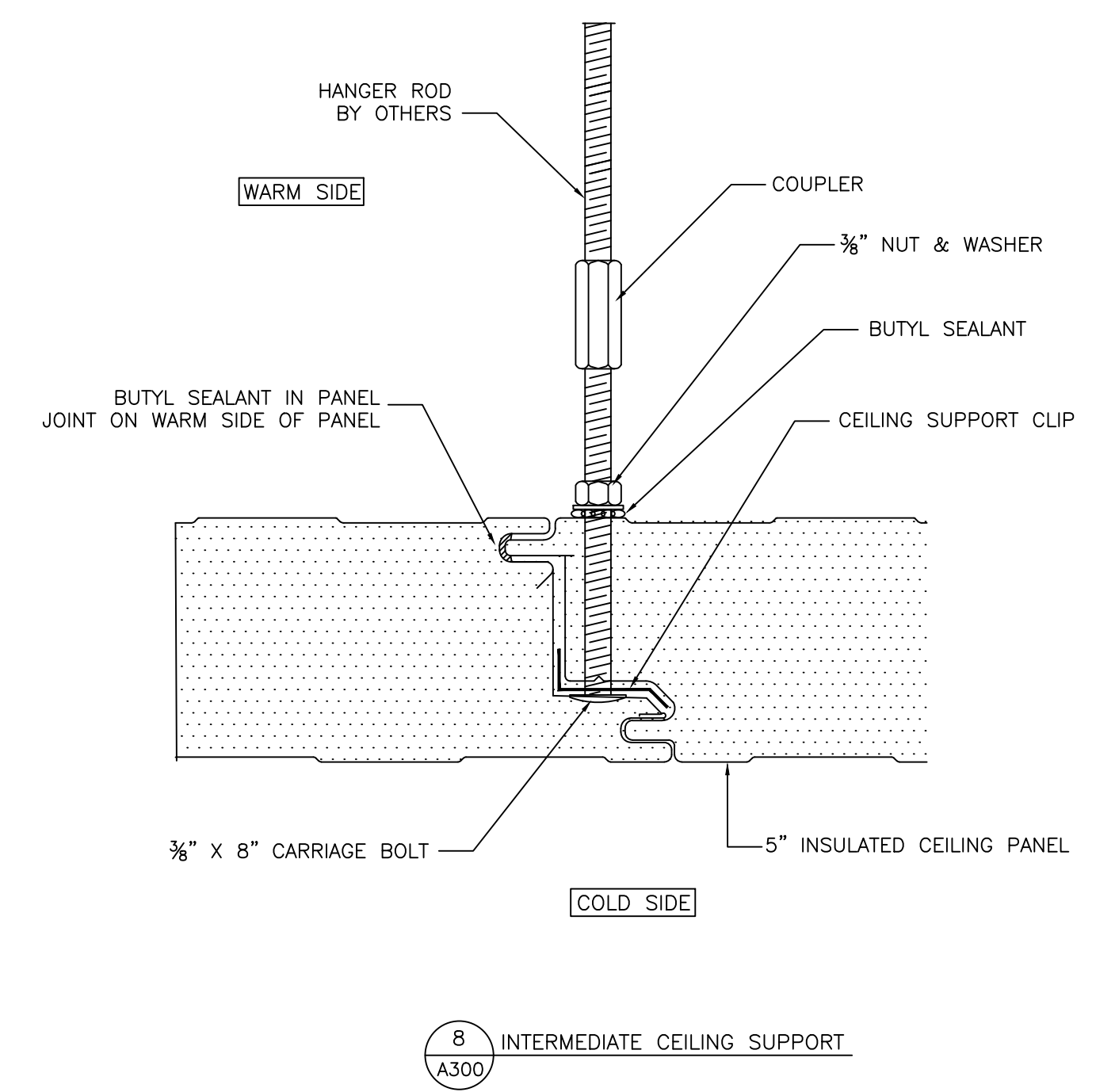
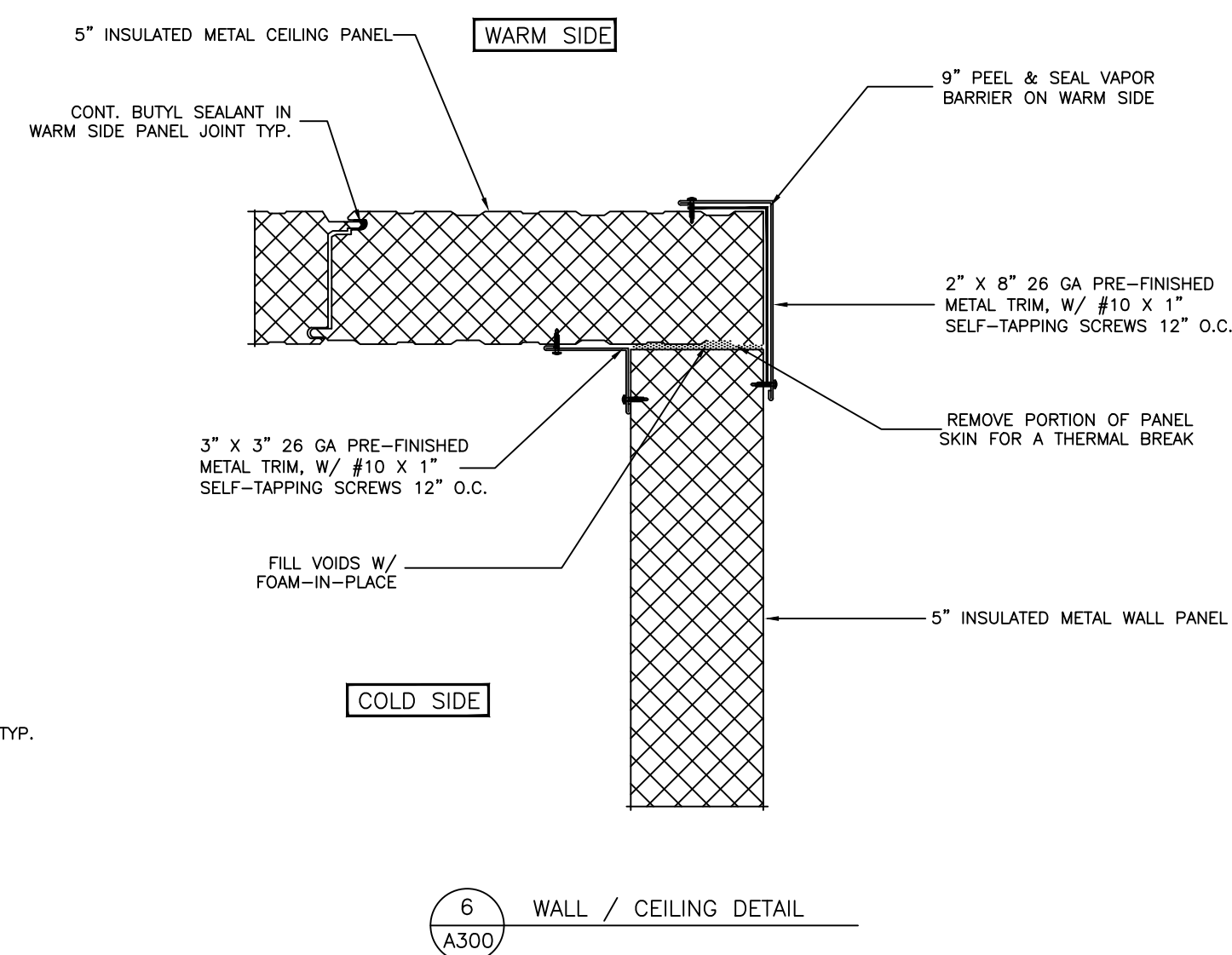
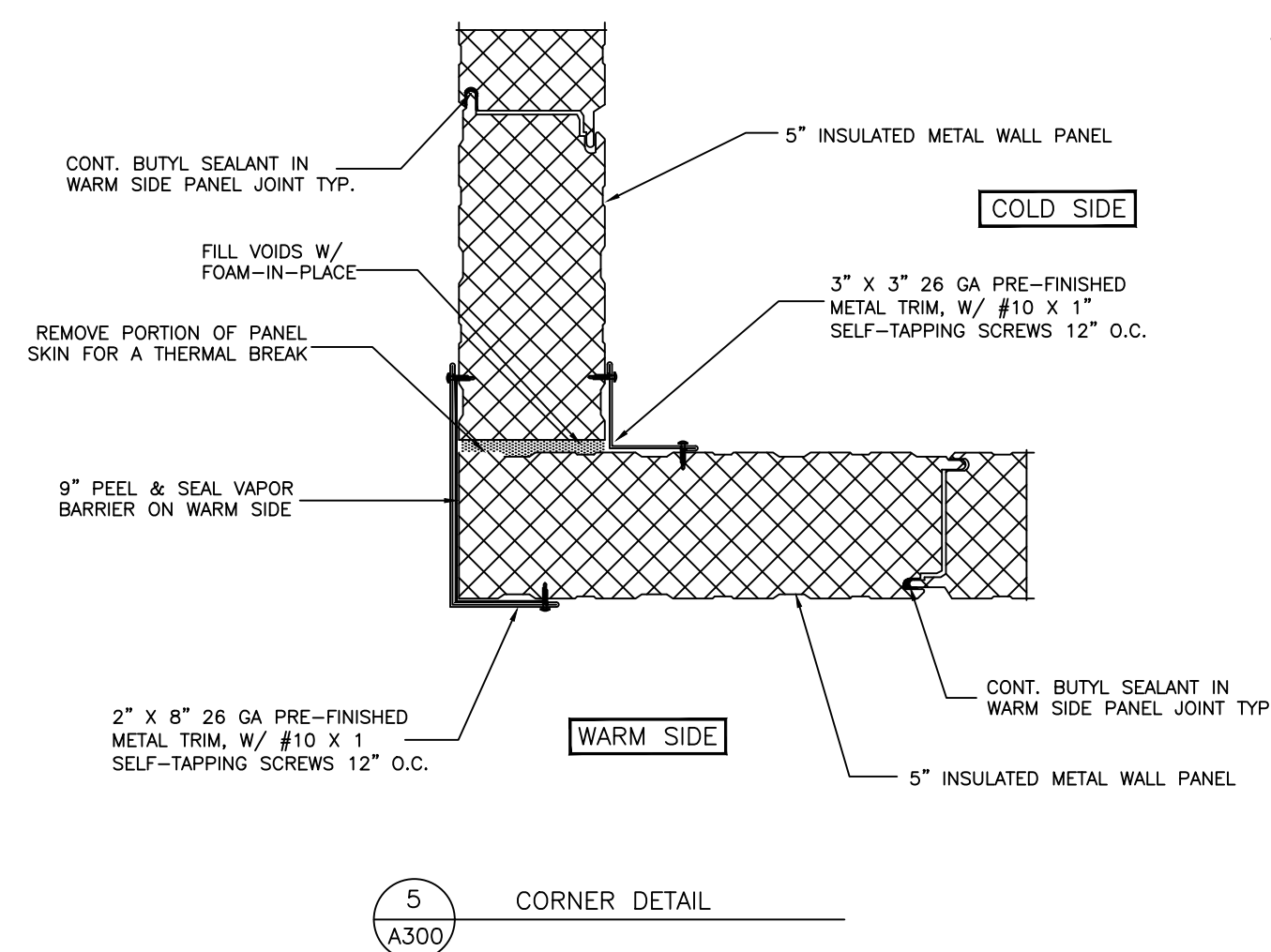
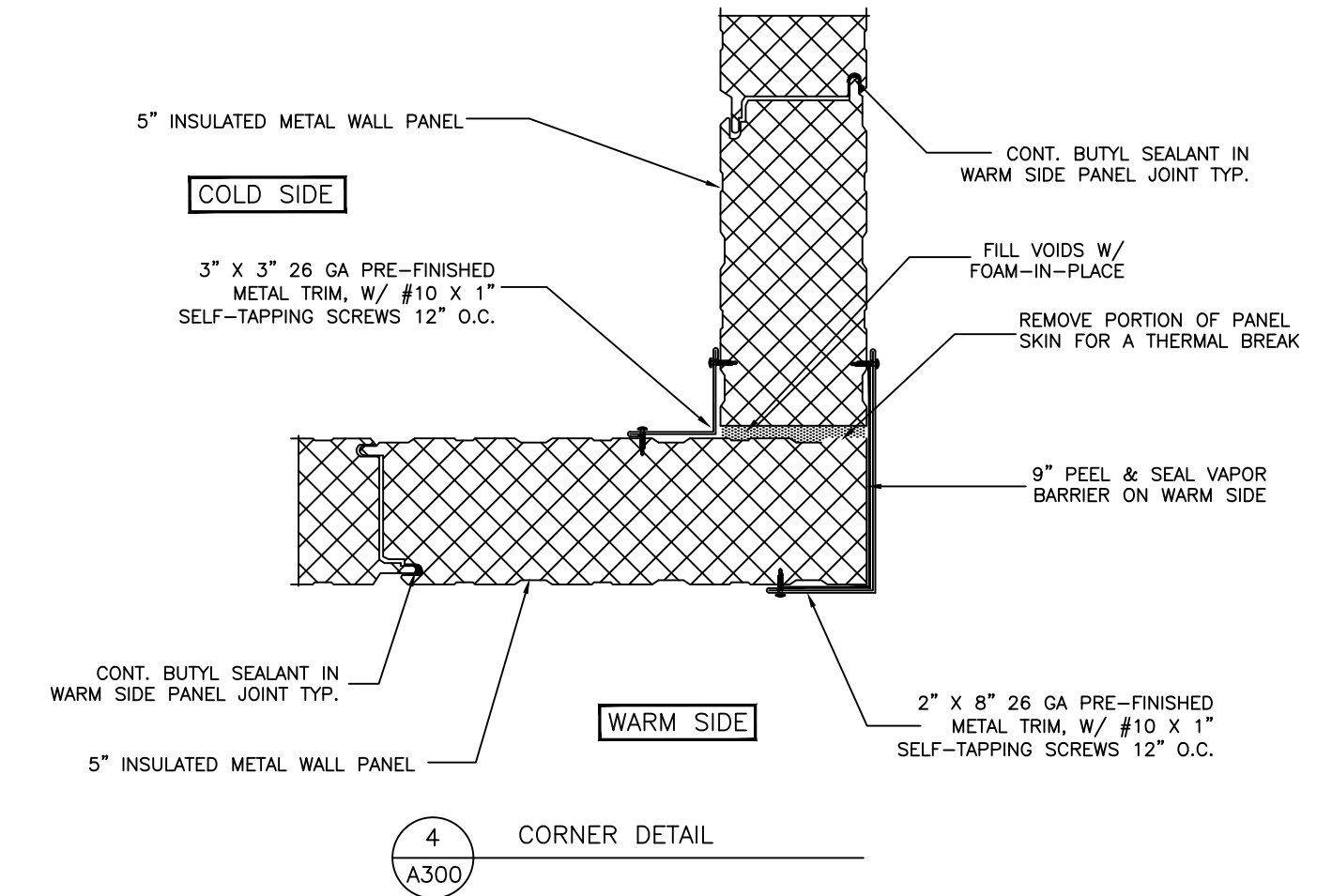
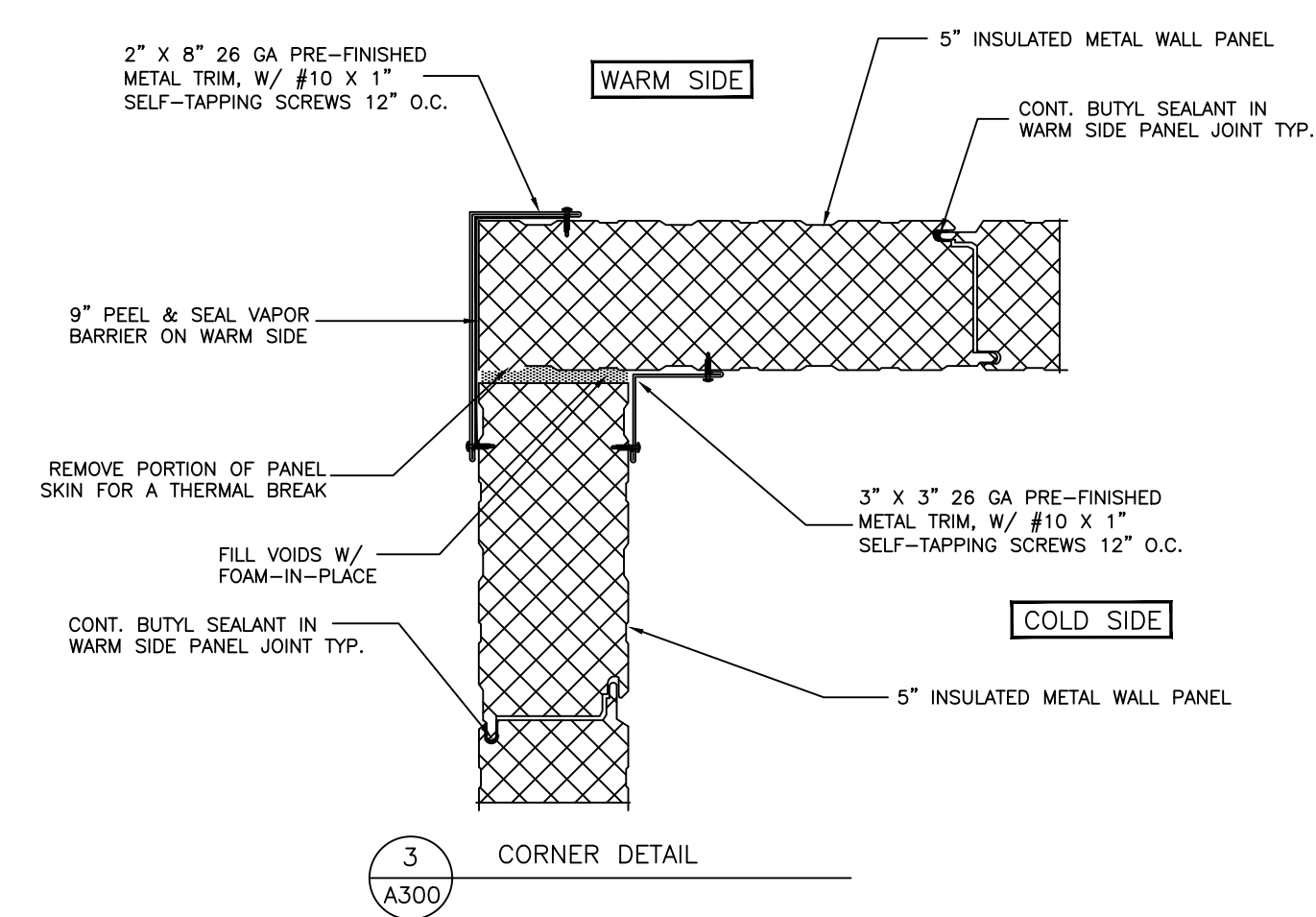
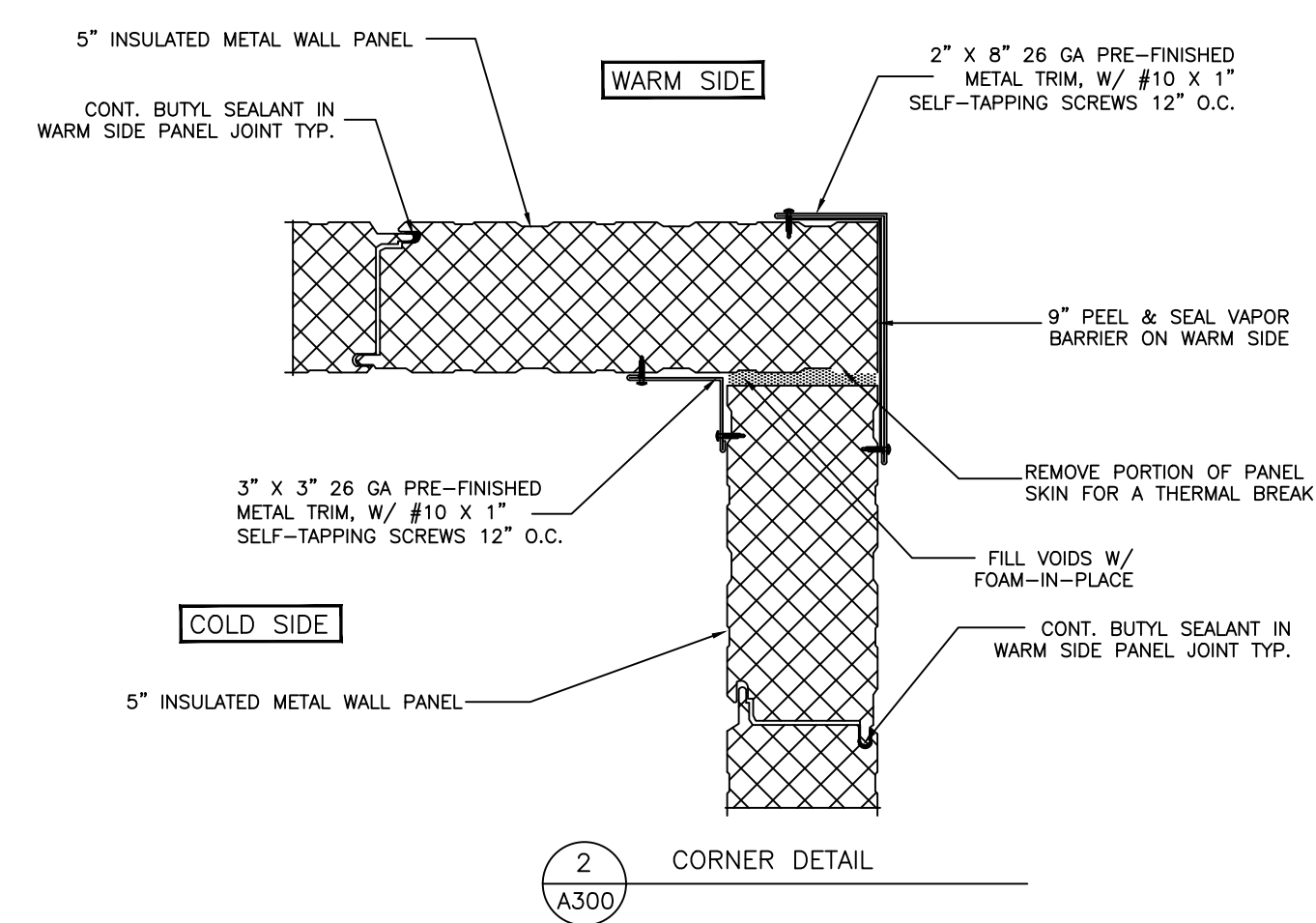
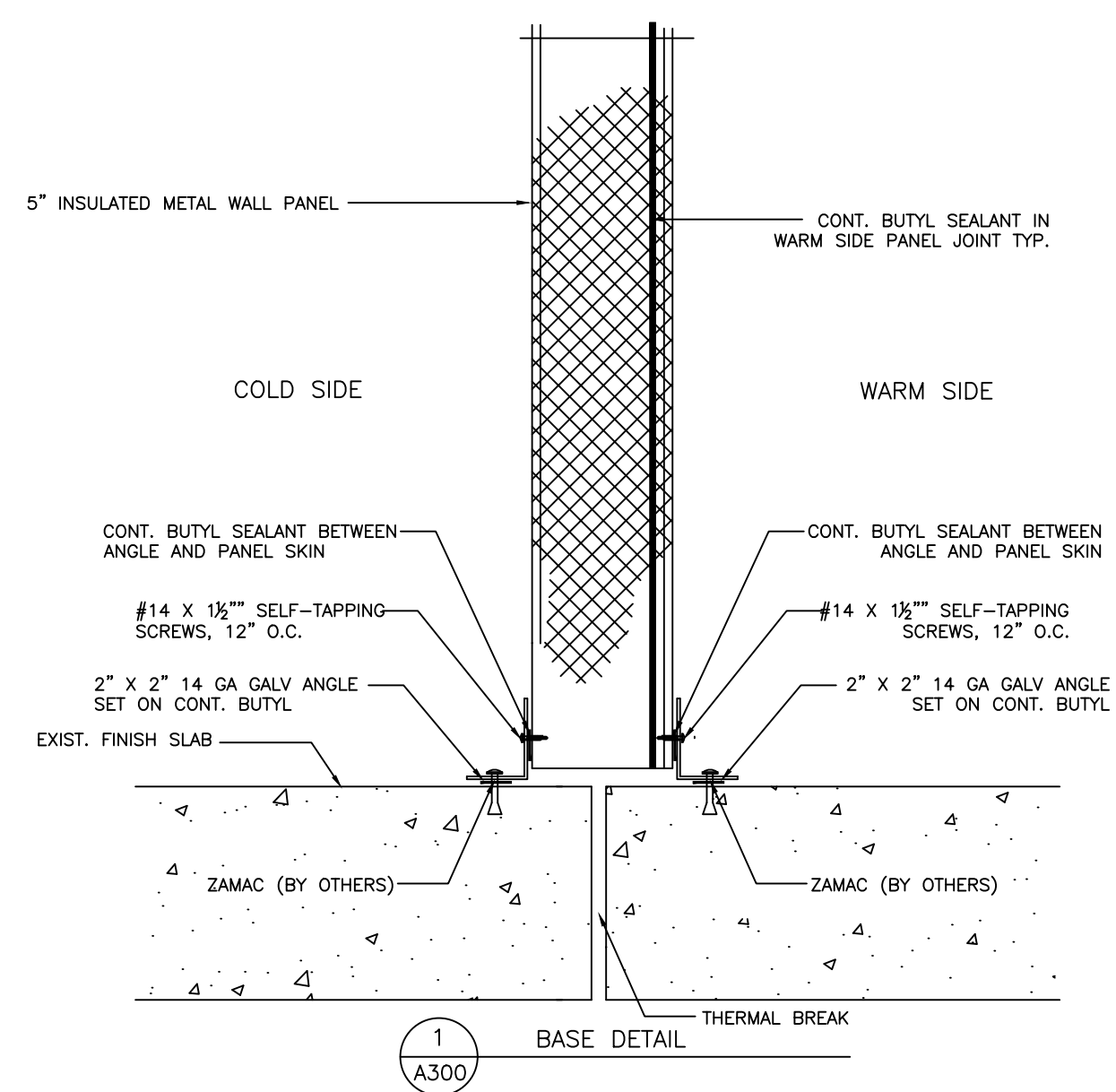
Barr Inc.
1423 Planeview Drive
Oshkosh, WI 54904
920-231-1711 Phone

20' x 40' x 12'-5"
Drive-In Freezer

TOLERANCES UNLESS SPECIFIED
FRACTIONAL DECIMAL ANGLE
X/16" ± 1/32" .XX ± .015 X" ± 0'30"

TITLE

DR. BY: KRZ
DATE: 8/1/2023
SCALE: NTS
CHECKED BY:
SHEET NO. T.1



NO.	DATE	BY	REVISION

Barr Inc.
 1423 Planeview Drive
 Oshkosh, WI 54904
 920-231-1711 Phone

20' x 40' x 12'-5"
 Drive-In Freezer

TOLERANCES UNLESS SPECIFIED	FRACTIONAL	DECIMAL	ANGLE
X/X" ± 1/32"	.XX ± .015	X" ± 0'30"	° ± 0'05"
	.XXX ± .005	X'XX ± .001	
	.XXXX ± .001		

Draftsmen is not responsible for panel heights, wall and ceiling dimensions. Contractor to verify all information.

WALL DETAILS

DR. BY: KRZ
 DATE: 8/1/2023
 SCALE: NTS
 CHECKED BY:
 SHEET NO. A300