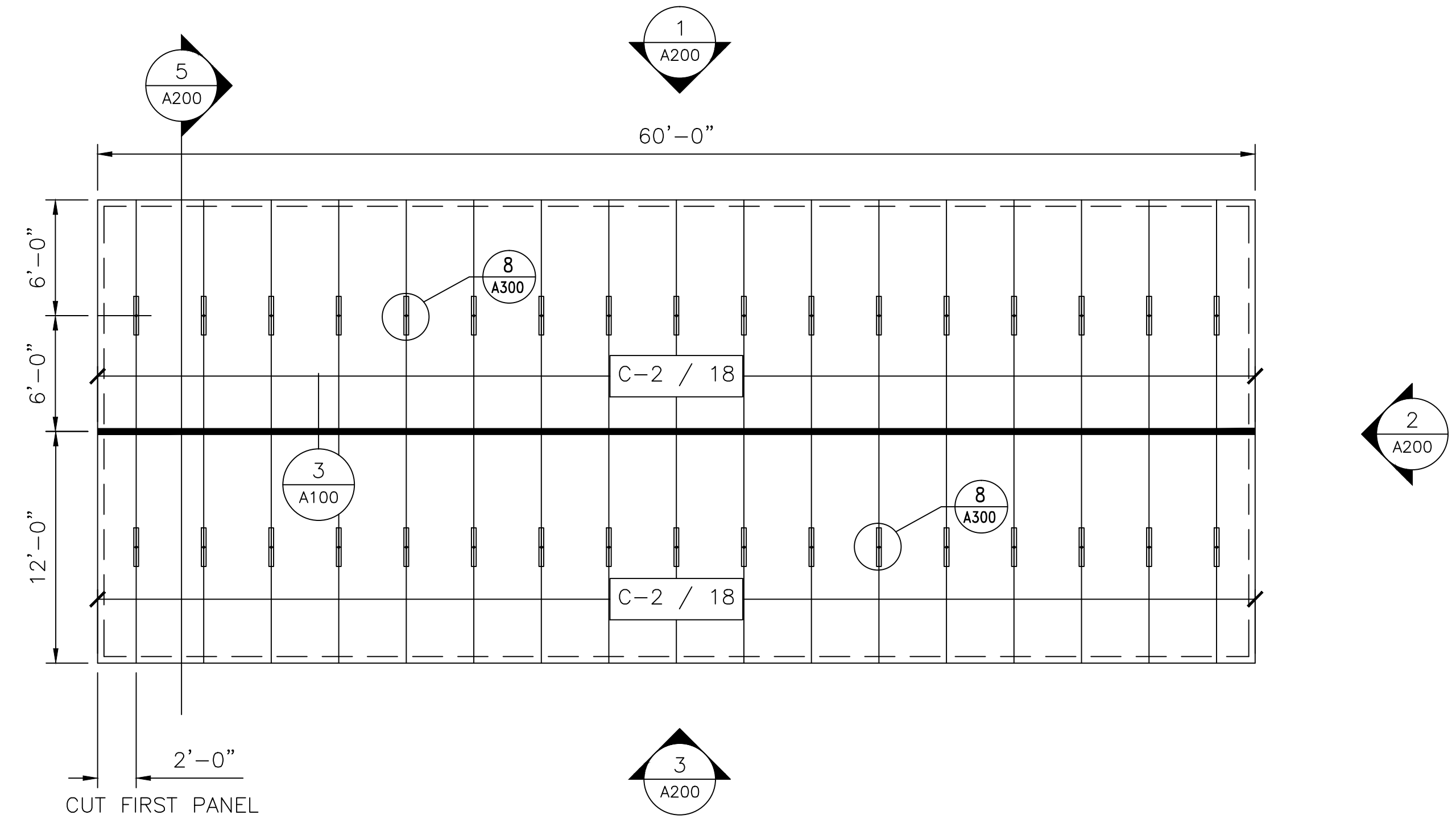
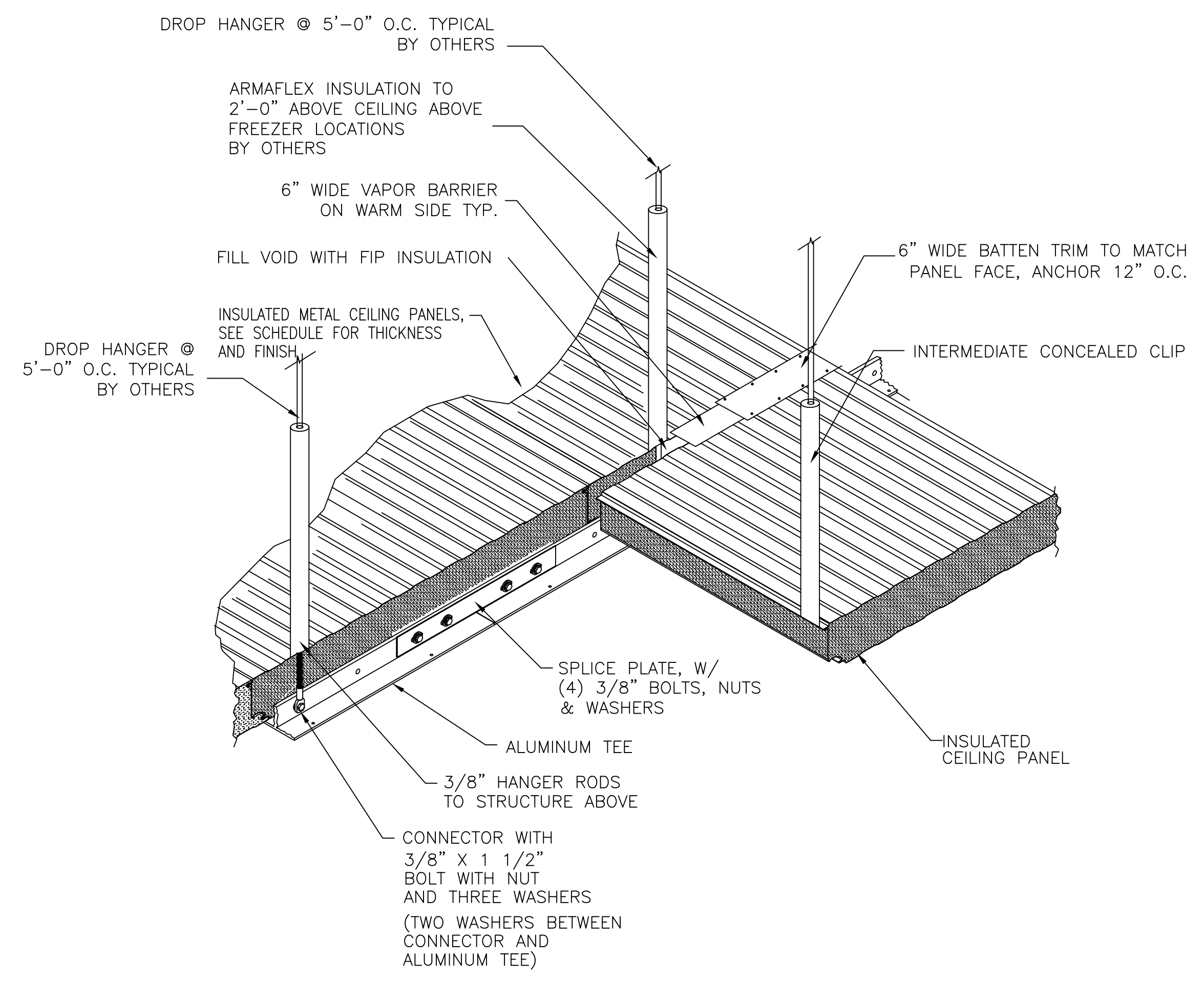


1 FLOOR PLAN
A100 SCALE: N.T.S.



2 CEILING PLAN
A100 SCALE: N.T.S.



3 CEILING TEE DETAIL
A100 SCALE: N.T.S.

PANEL SCHEDULE

PANEL DESIG.	PANEL HEIGHT	QTY OF PANELS	PANEL THICK	PANEL SERIES	PANEL COLOR
W-1	20'-0"	50	4"	MESALINE	USDA WHITE
C-2	12'-0"	36	4"	MESALINE	USDA WHITE

NO.	REVISION	DATE	BY

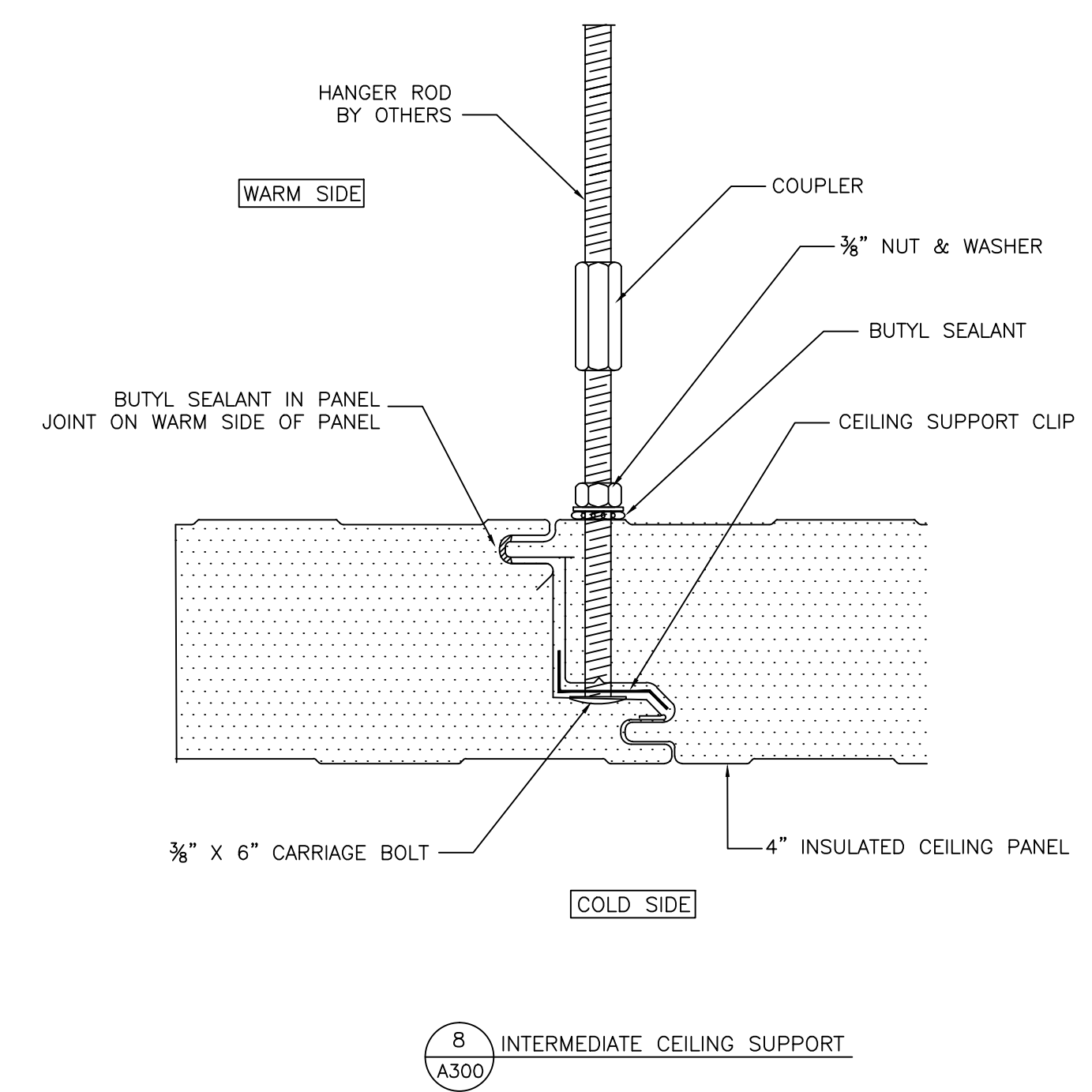
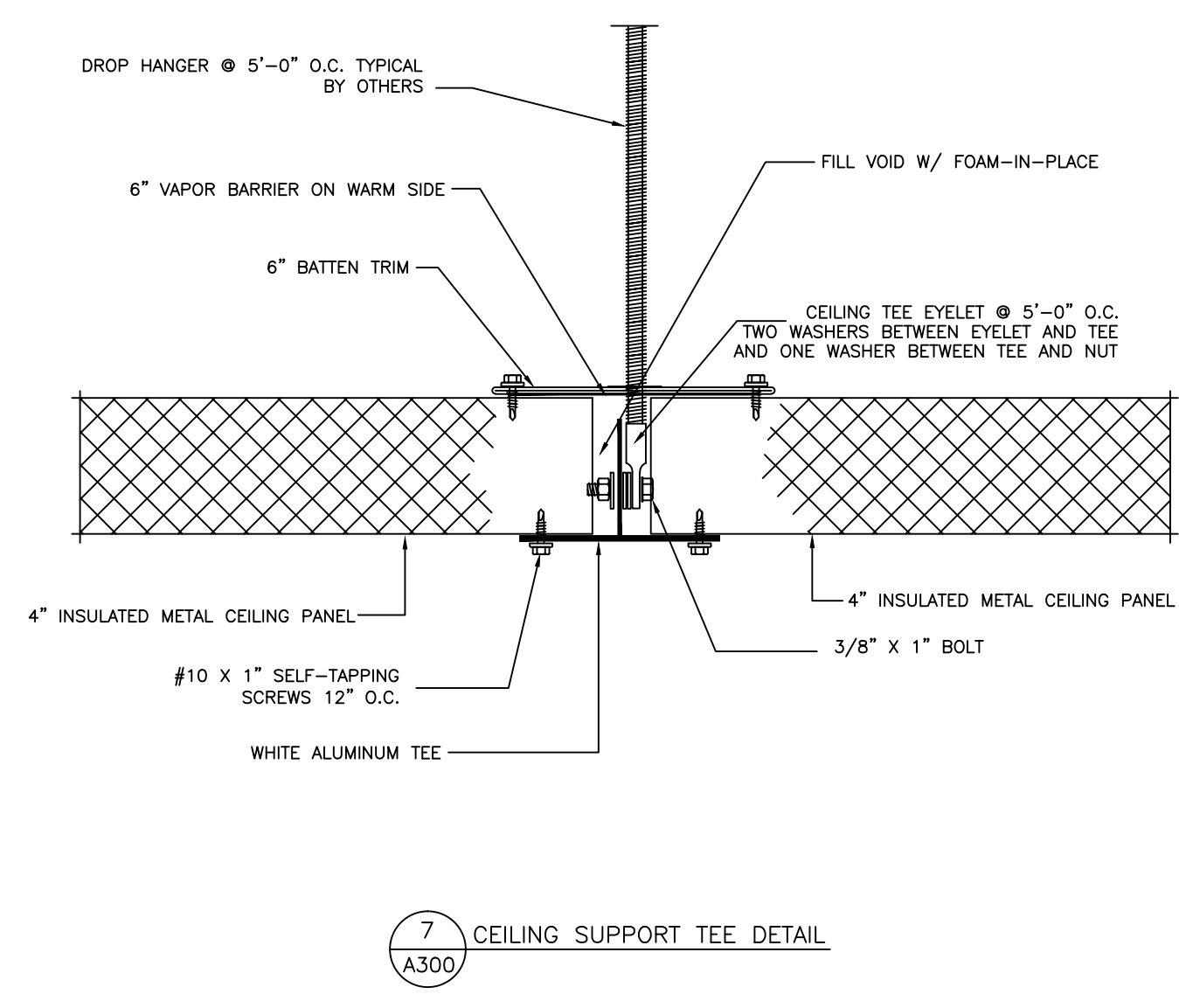
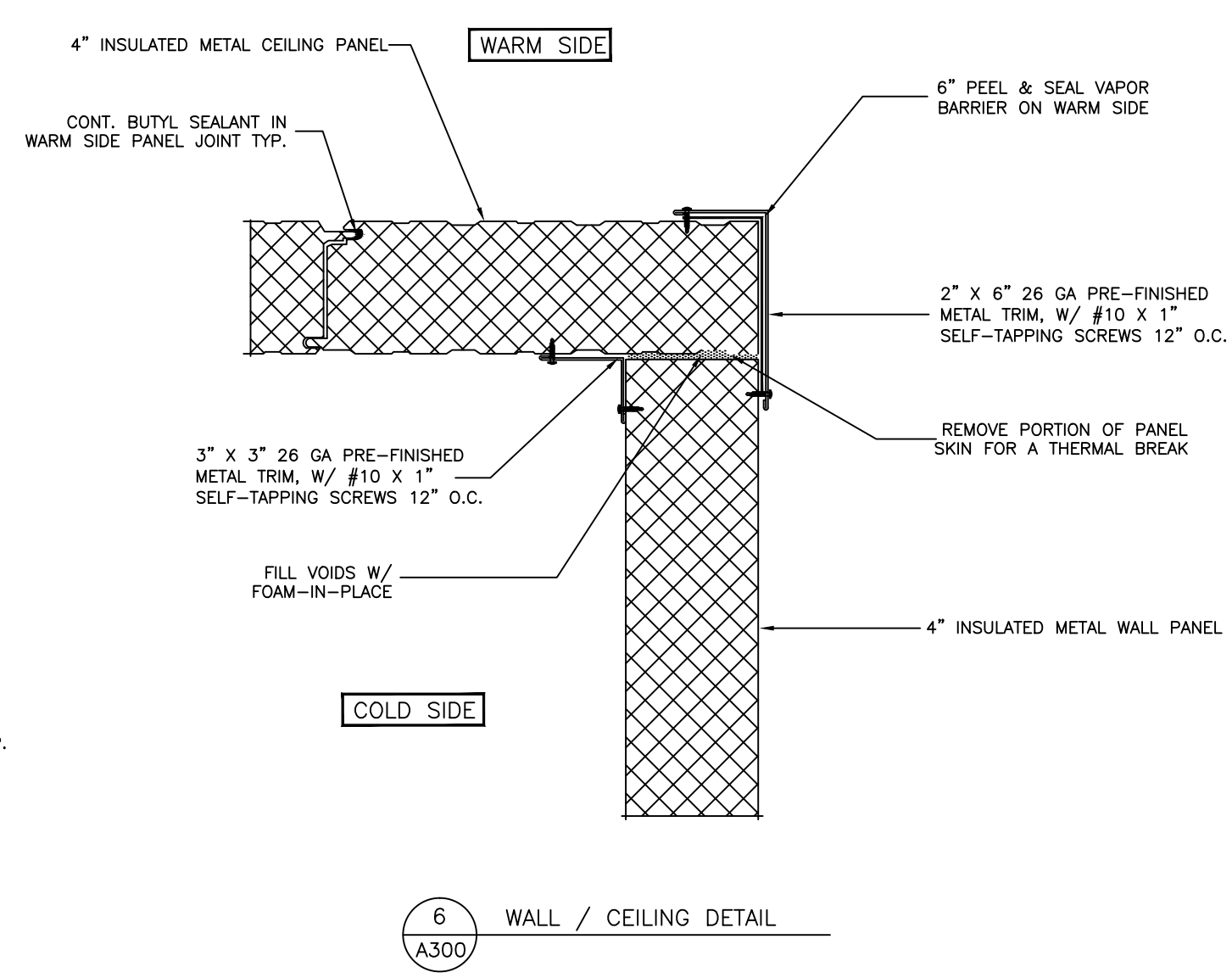
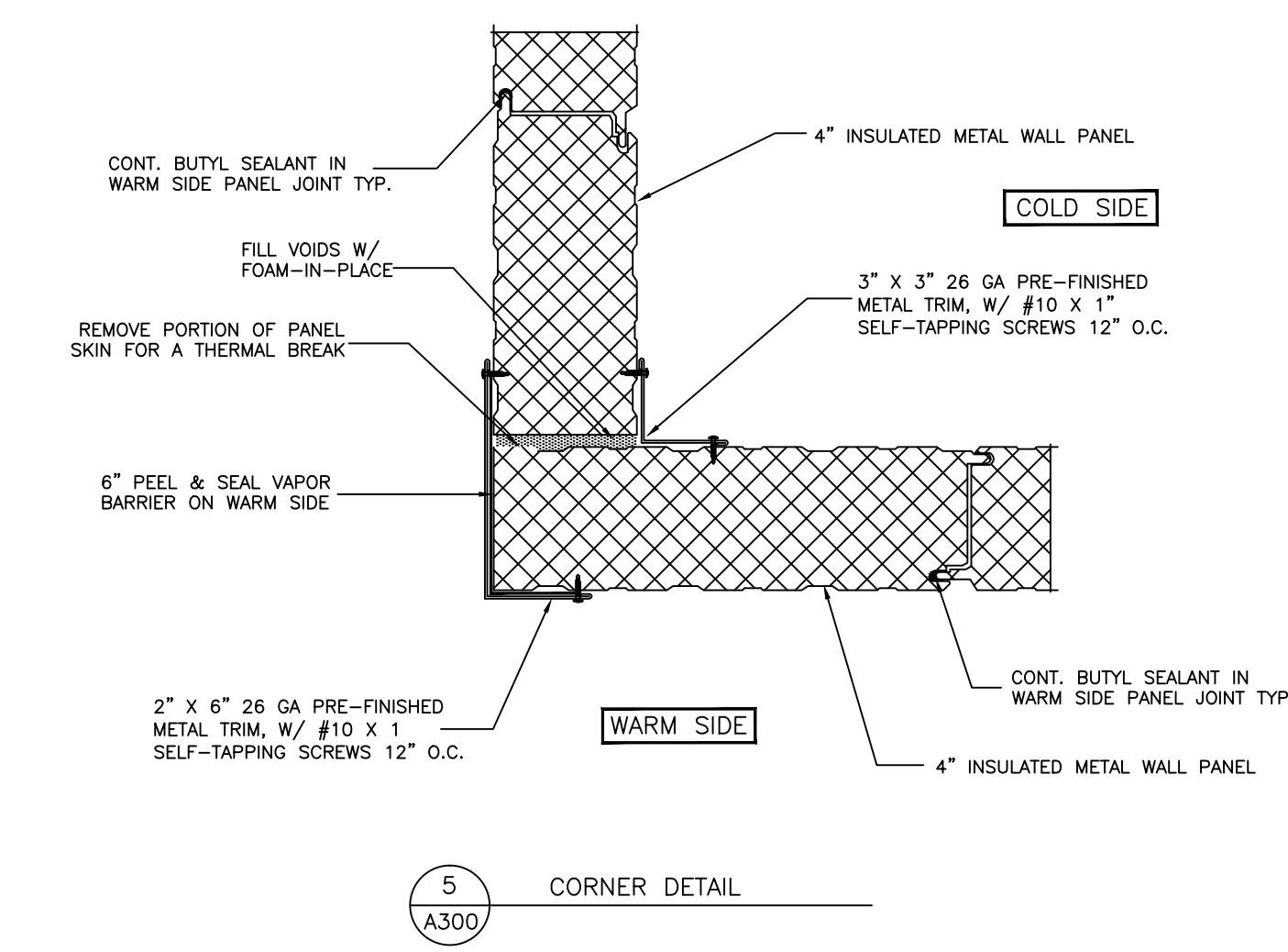
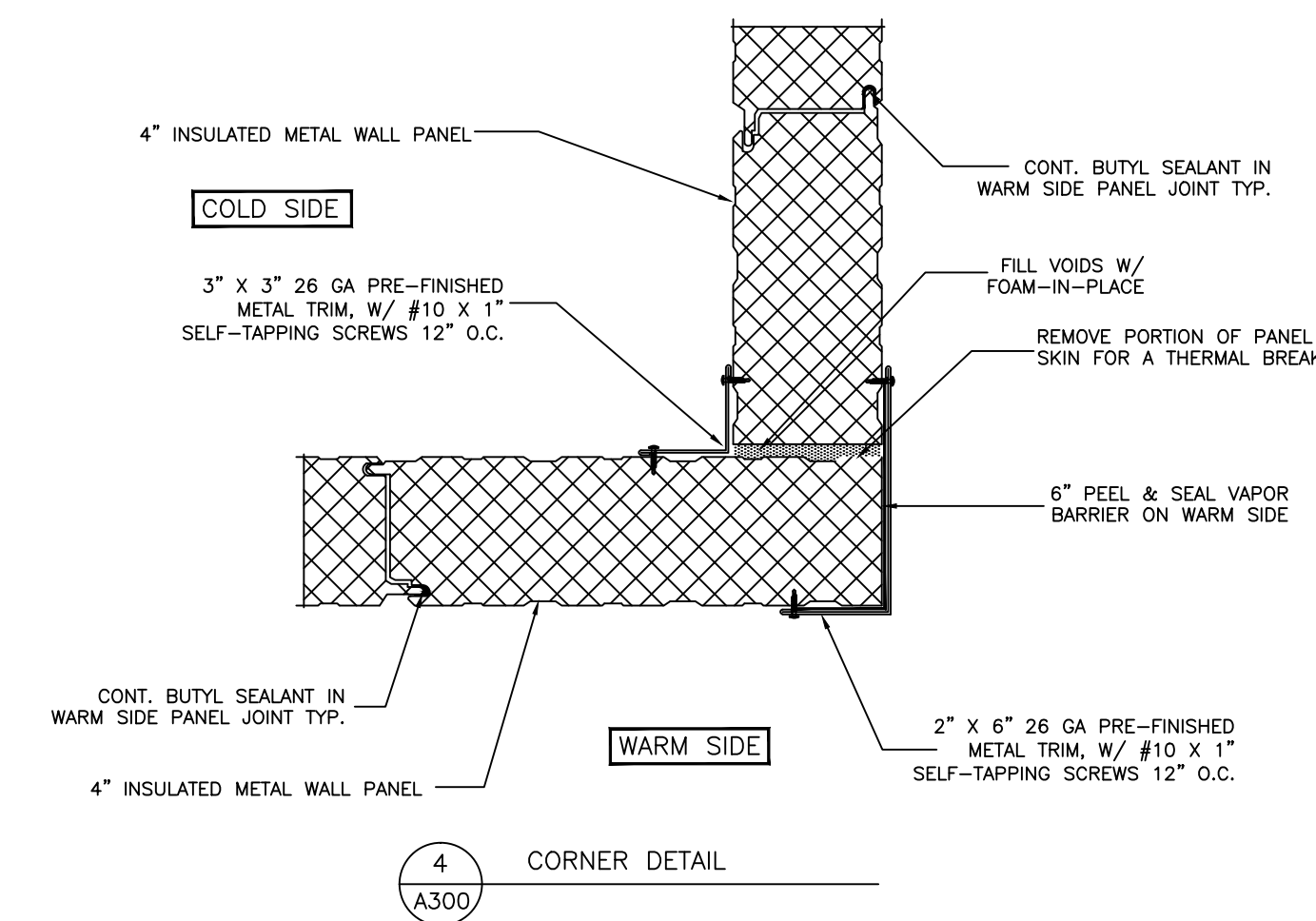
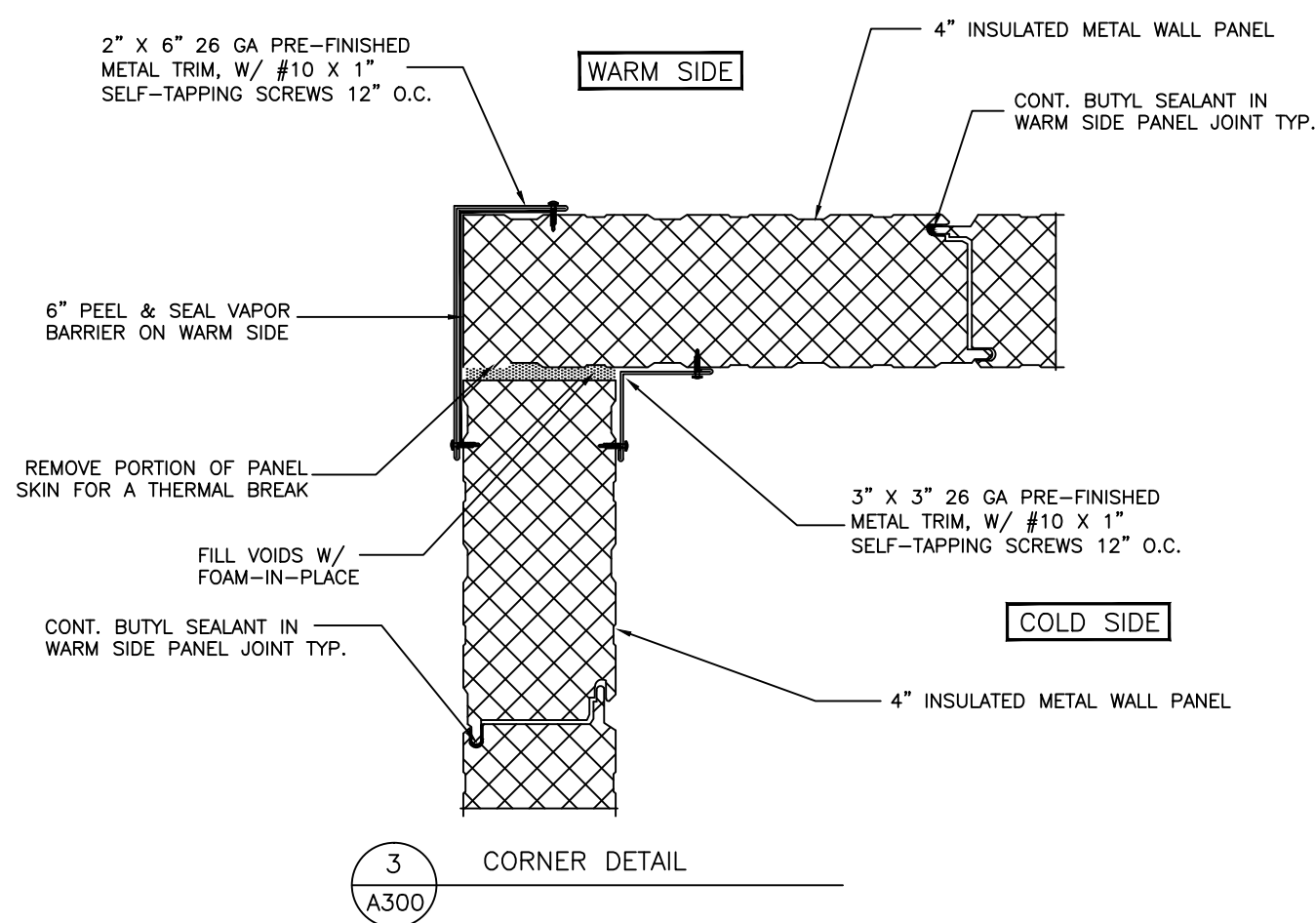
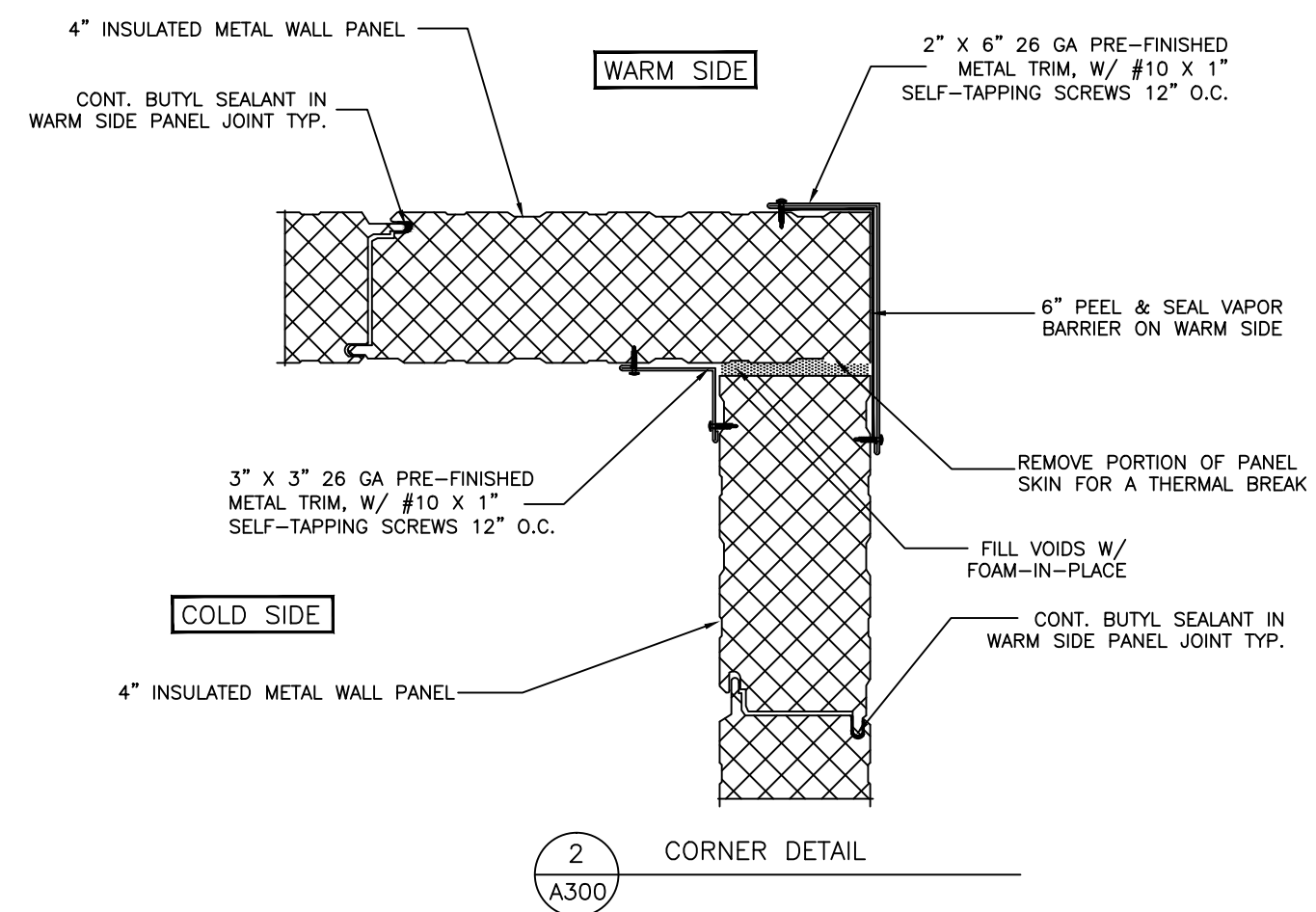
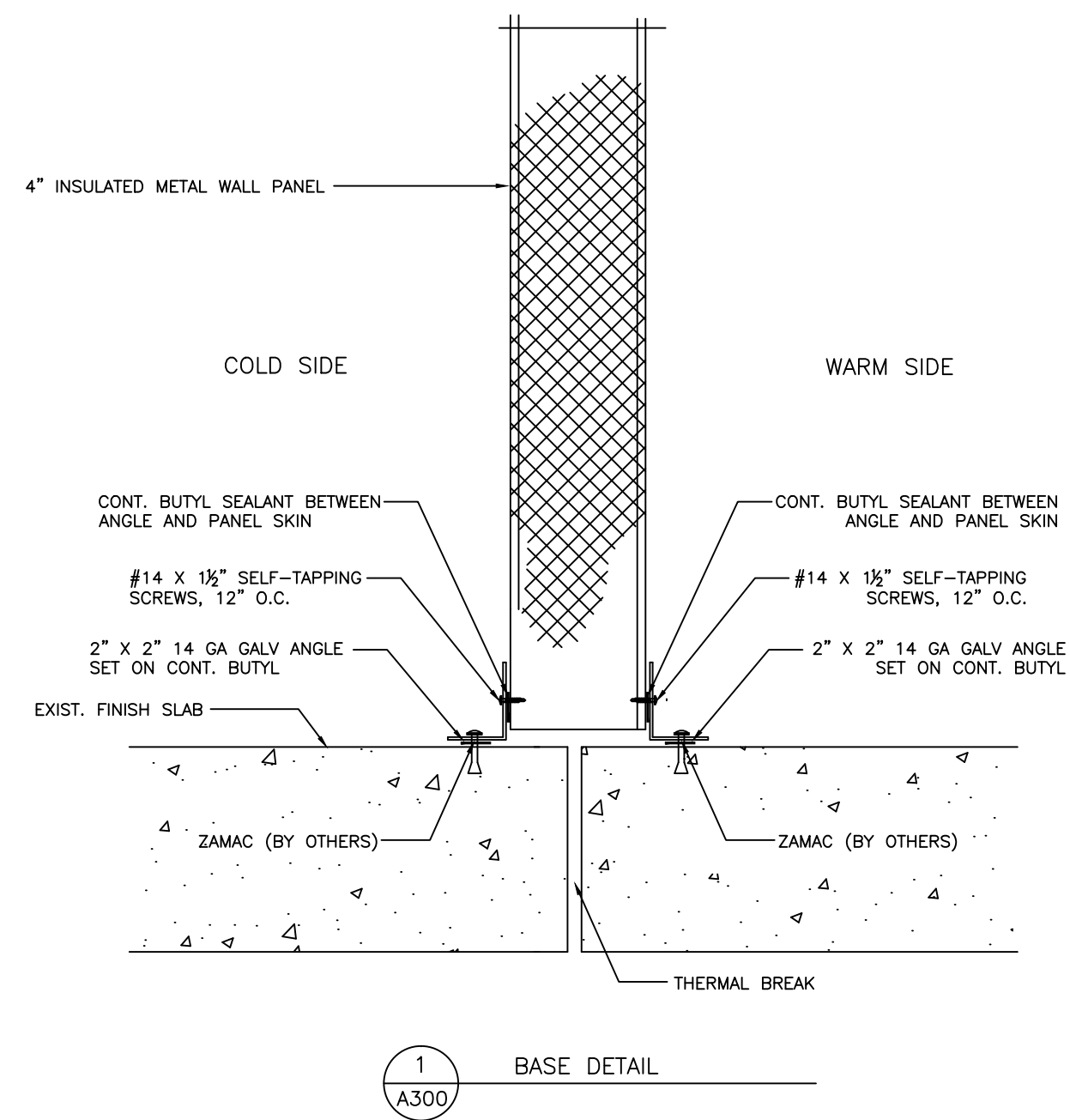
Barr Inc.
1423 Planeview Drive
Oshkosh, WI 54904
920-231-1711 Phone

24' x 60' x 20'-4"
Drive-In Cooler

TOLERANCES UNLESS SPECIFIED
FRACTIONAL X/X" ± 1/32"
DECIMAL .XX ± .015
.XXX ± .005
.XXXX ± .001
ANGLE X° ± 0'30"
X'XX" ± 0'05"
Draftsman is not responsible for panel heights, quantities and/or dimensions. Contractor to verify all information.

FLOOR PLAN

DR.BY: KRZ
DATE: 8/30/2016
SCALE: NTS
CHECKED BY:
SHEET NO. A100



NO.	REVISION	BY	DATE

Barr Inc.
 1423 Planeview Drive
 Oshkosh, WI 54904
 920-231-1711 Phone

24' x 60' x 20'-4"
 Drive-In Cooler

TOLERANCES UNLESS SPECIFIED
 FRACTIONAL DECIMAL ANGLE
 X/X" ± 1/32" .015 X ± 0.30"
 .XX ± .005 .XXX ± .005 X° ± 0.05°
 .XXXX ± .001 .XXXX ± .001

Draftsman is not responsible for panel heights, quantities and/or dimensions. Contractor to verify all information.

WALL DETAILS

DR. BY: KRZ
 DATE: 8/30/2016
 SCALE: NTS
 CHECKED BY:
 SHEET NO. A300