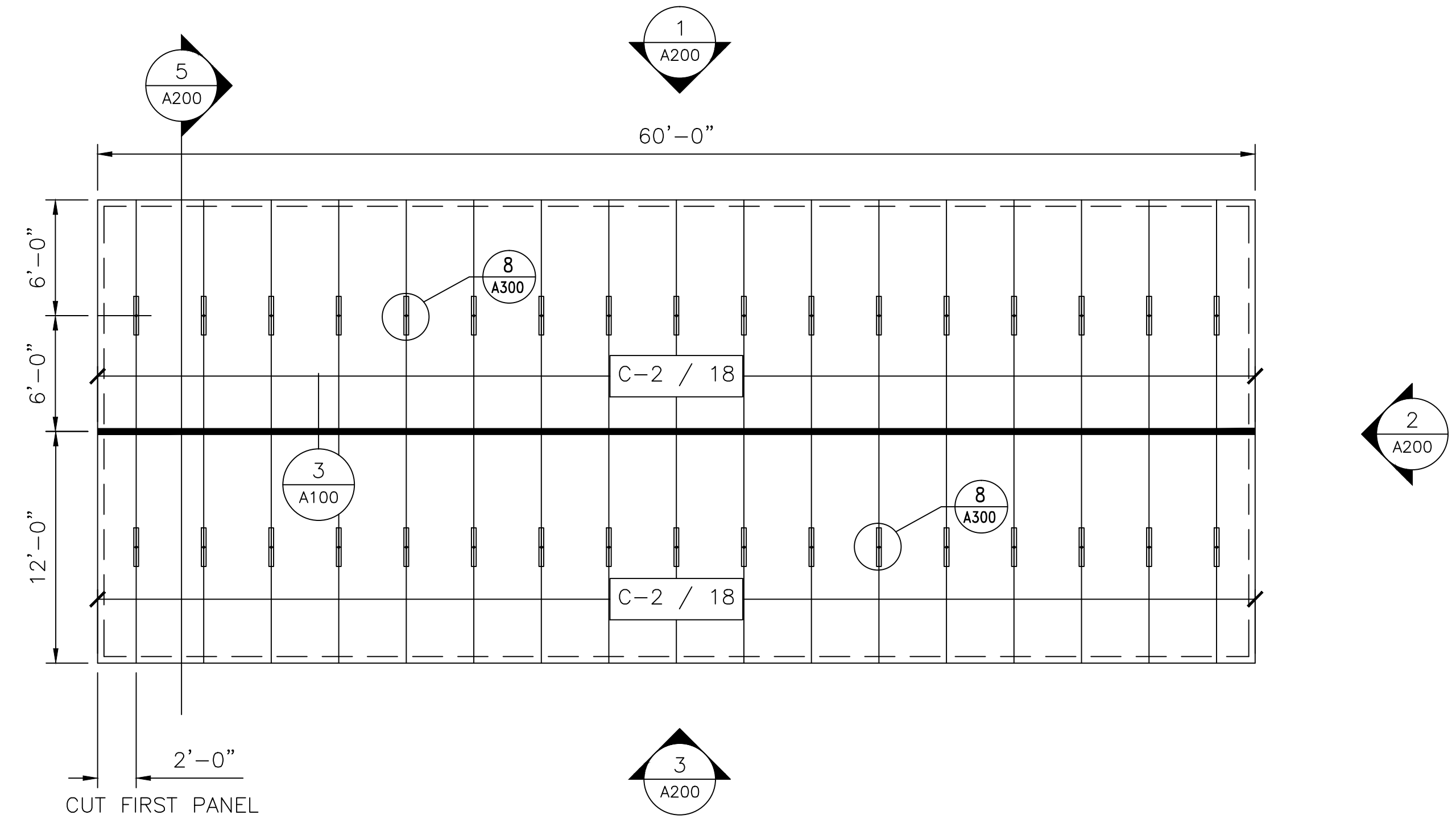
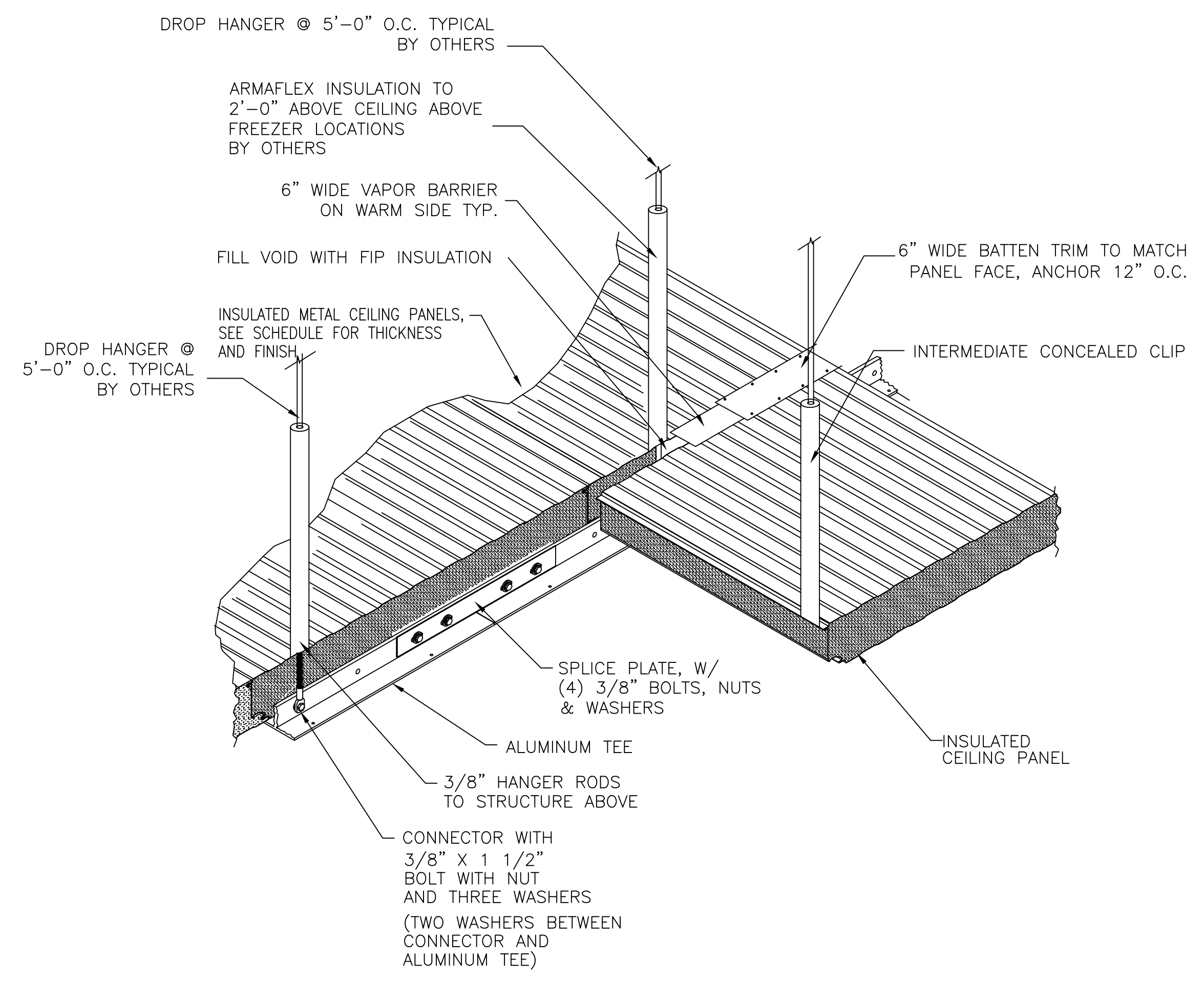


1 FLOOR PLAN
A100 SCALE: N.T.S.



2 CEILING PLAN
A100 SCALE: N.T.S.



3 CEILING TEE DETAIL
A100 SCALE: N.T.S.

PANEL SCHEDULE

PANEL DESIG.	PANEL HEIGHT	QTY OF PANELS	PANEL THICK	PANEL SERIES	PANEL COLOR
W-1	12'-0"	50	4"	MESALINE	USDA WHITE
C-2	12'-0"	36	4"	MESALINE	USDA WHITE

NO.	REVISION	DATE	BY

Barr Inc.
1423 Planeview Drive
Oshkosh, WI 54904
920-231-1711 Phone

24' x 60' x 12'-4"
Drive-In Cooler

TOLERANCES UNLESS SPECIFIED
FRACTIONAL DECIMAL .015 X ± 0'30"
X/X" ± 1/32" .XX ± .005 X'X' ± 0'05"
.XXX ± .001 .XXXX ± .001
Draftsman is not responsible for panel heights, quantities and / or dimensions. Contractor to verify all information.

FLOOR PLAN

DR.BY: KRZ
DATE: 8/30/2016
SCALE: NTS
CHECKED BY:
SHEET NO. A100

REVISION	BY	DATE

Barr Inc.
1423 Planeview Drive
Oshkosh, WI 54904
920-231-1711 Phone

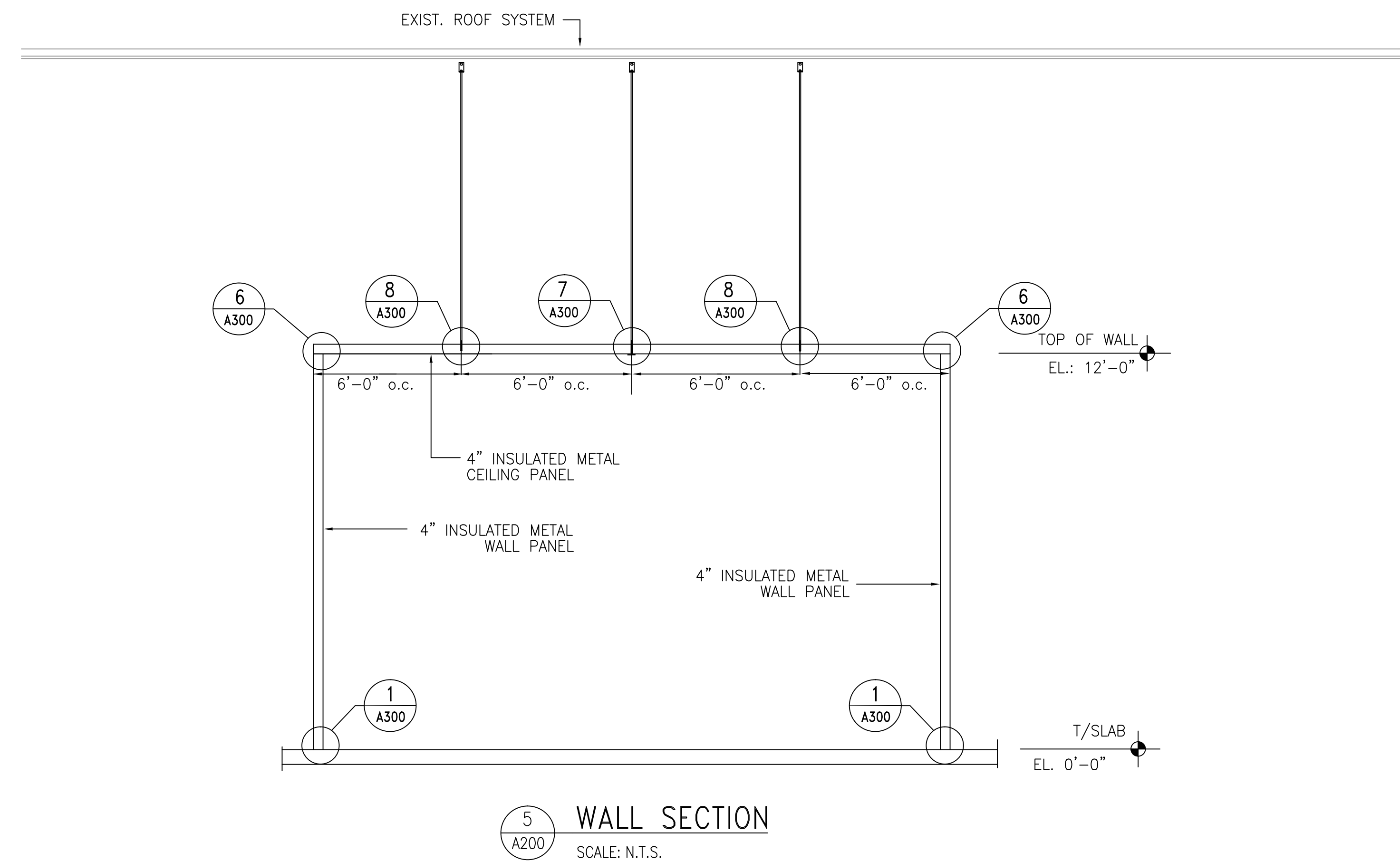
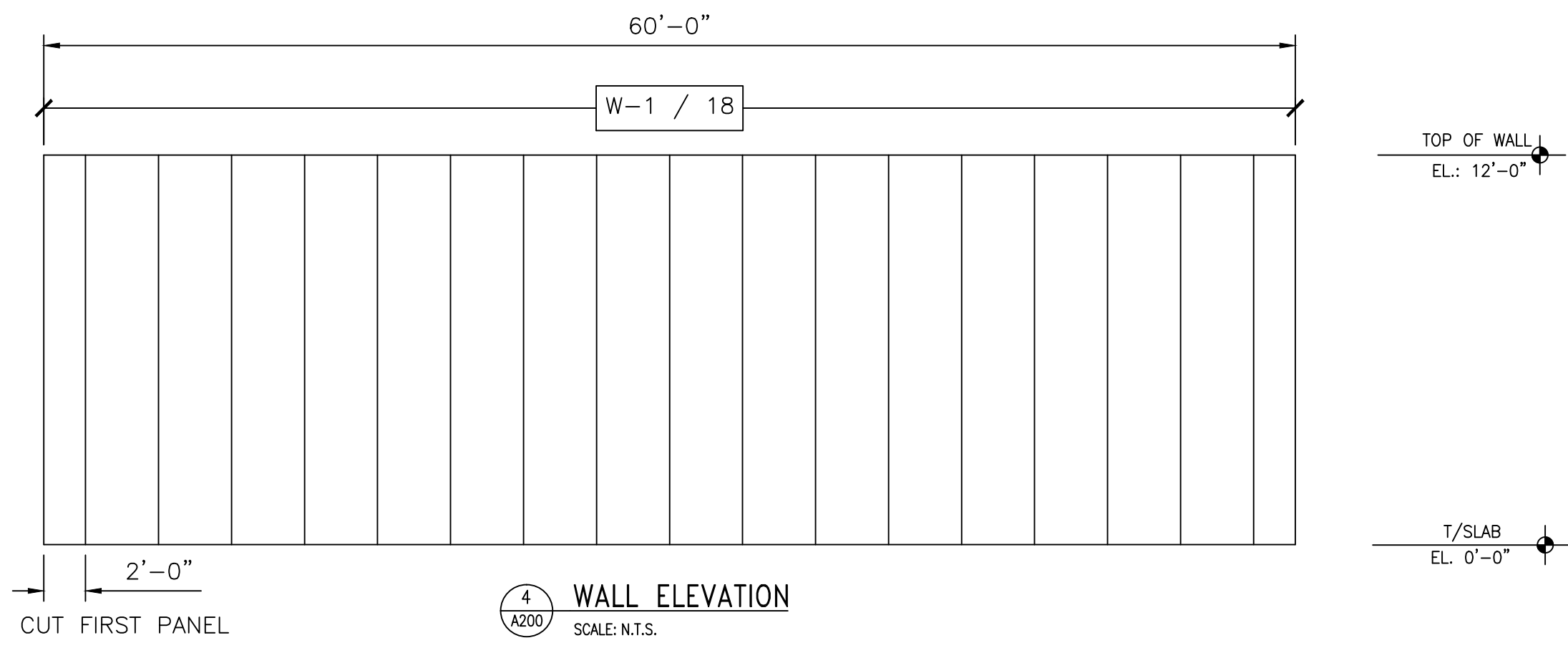
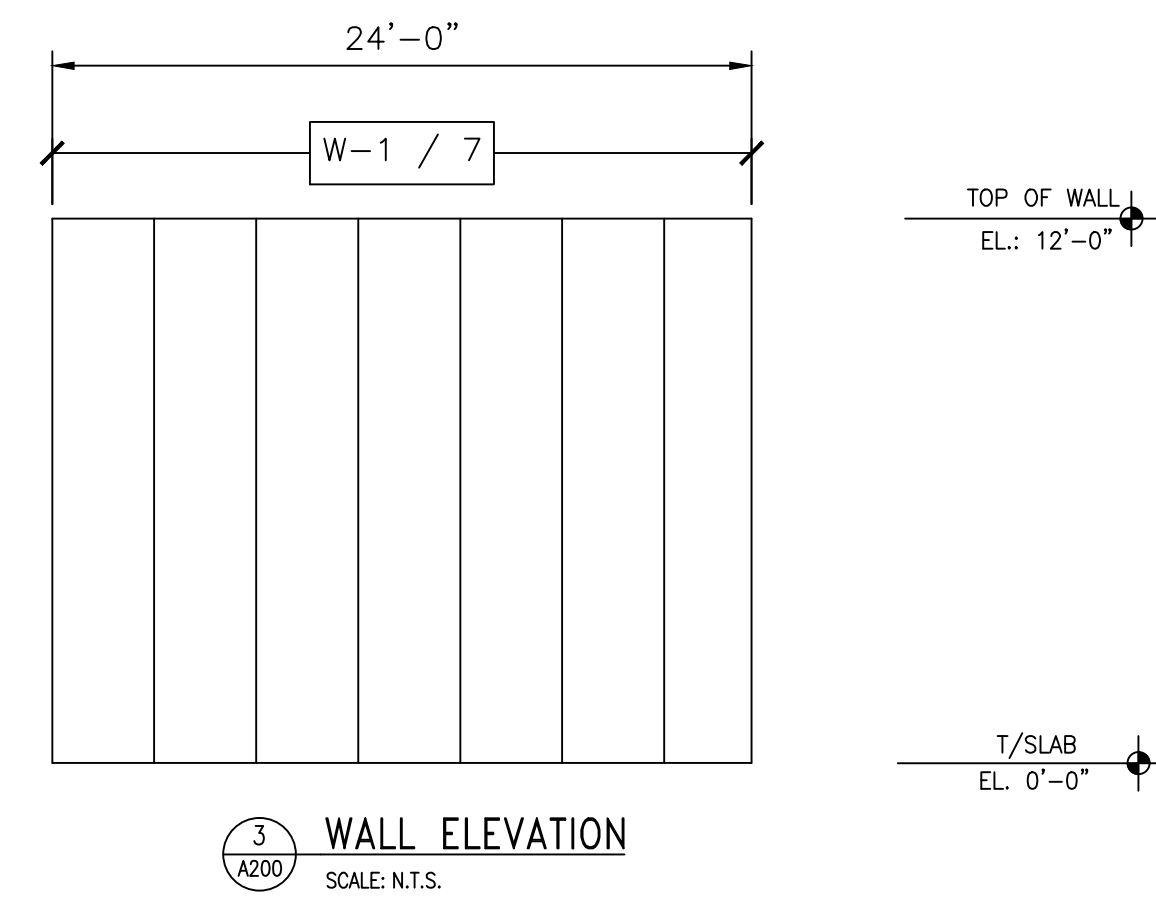
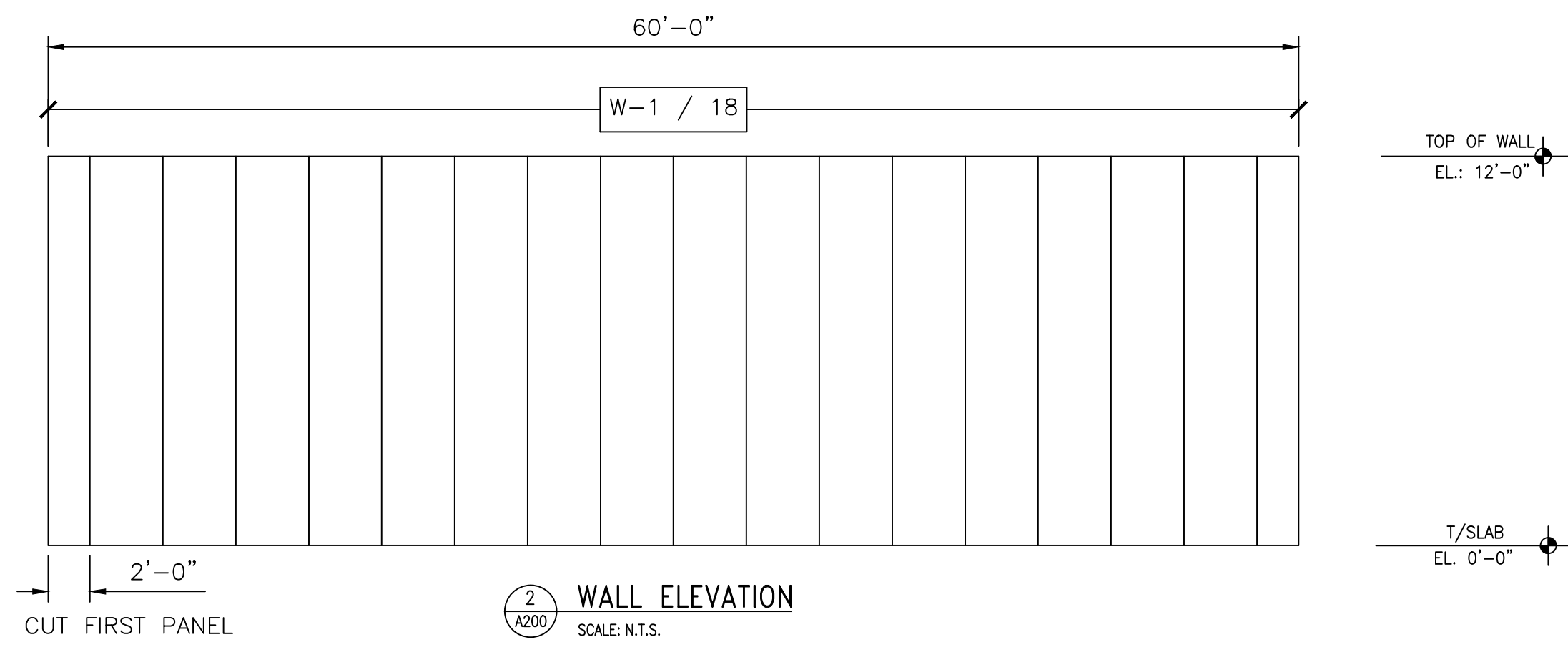
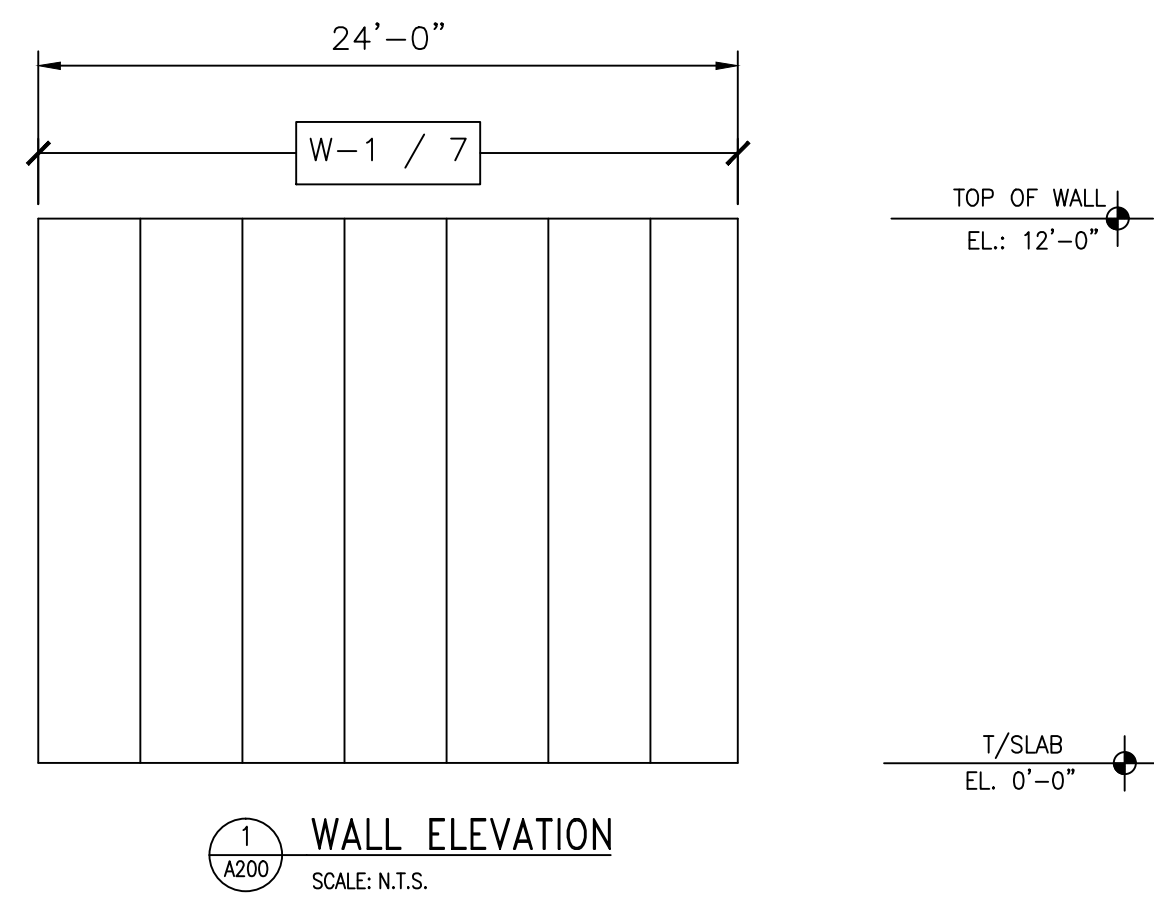
24' x 60' x 12'-4"
Drive-In Cooler

TOLERANCES UNLESS SPECIFIED
FRACTIONAL DECIMAL .015 X" ANGLE
X/X" ± 1/32" .XX ± .015 X' ± 0'30"
 .XXX ± .005 XXX' ± 0'05"
 .XXXX ± .001 .XXXX ± 0'05"

Draftsman is not responsible for panel heights, quantities and/or dimensions. Contractor to verify all information.

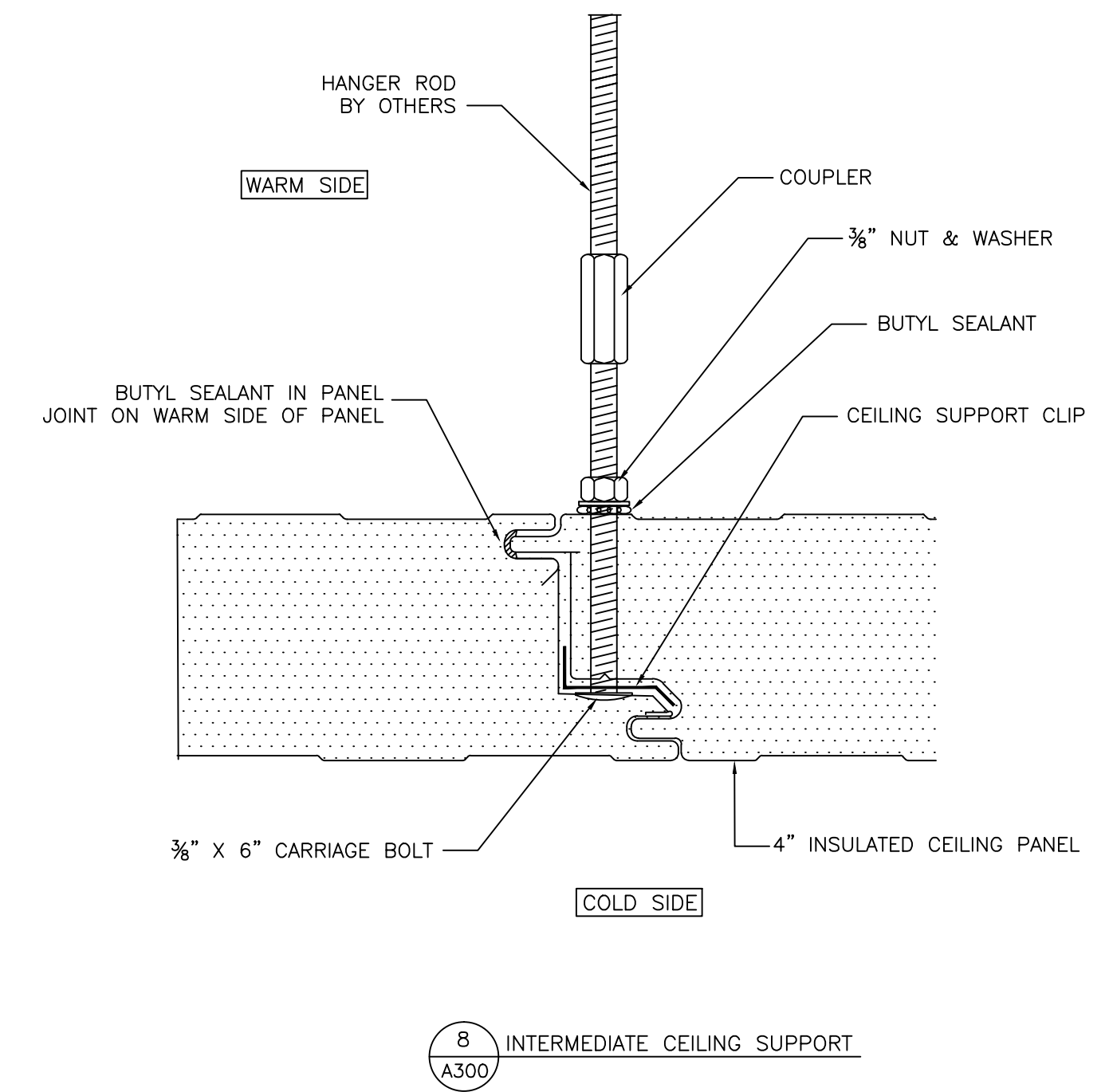
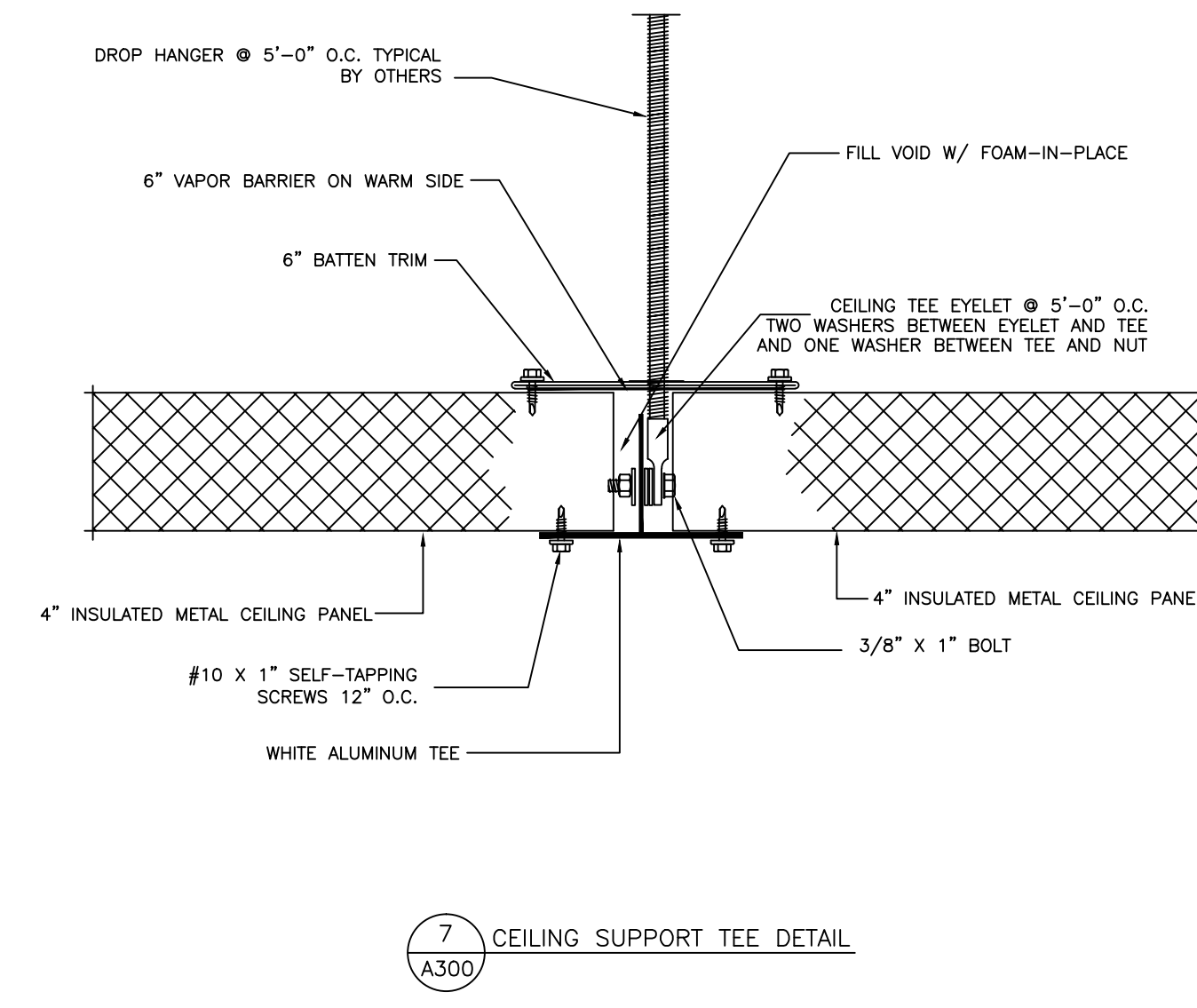
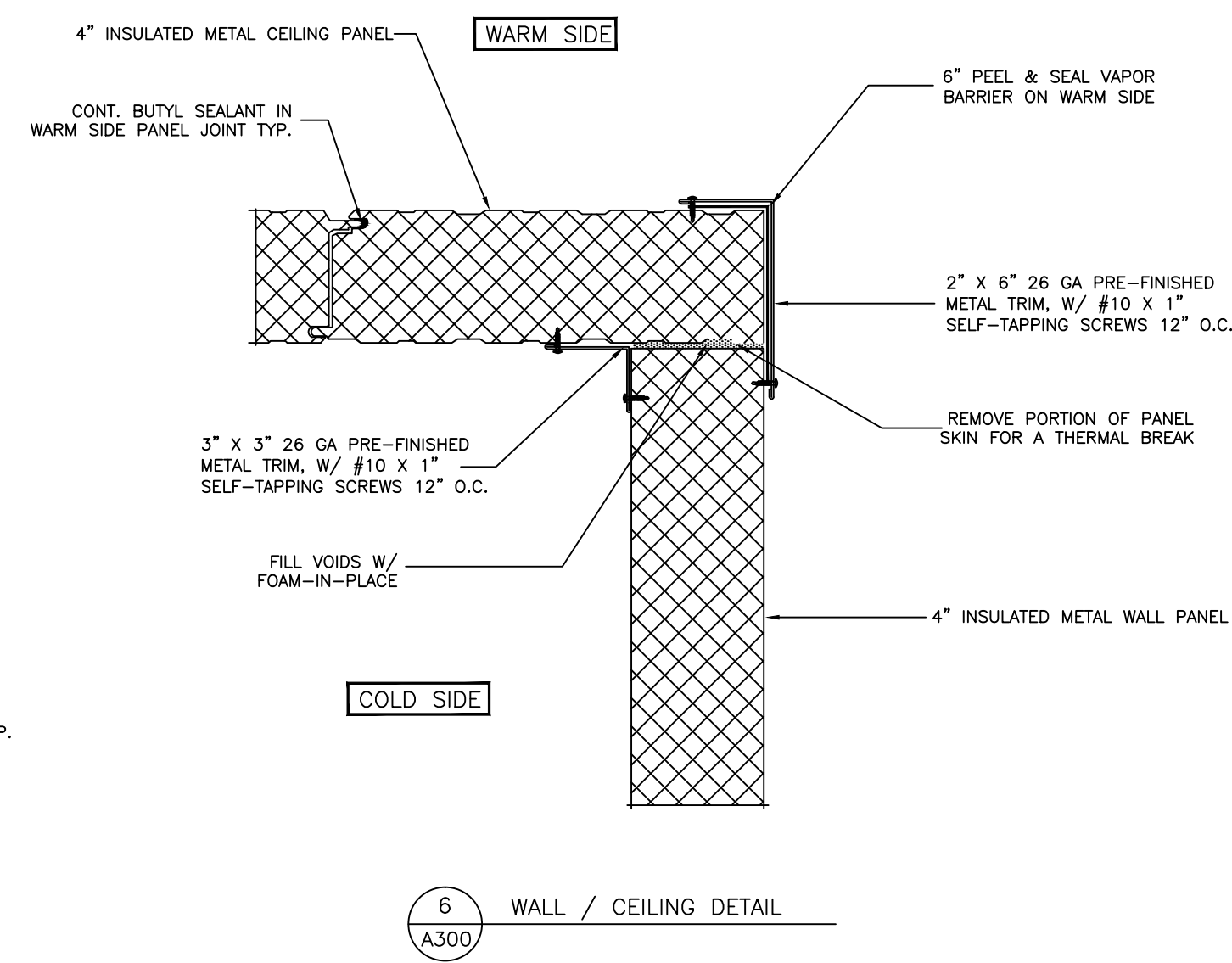
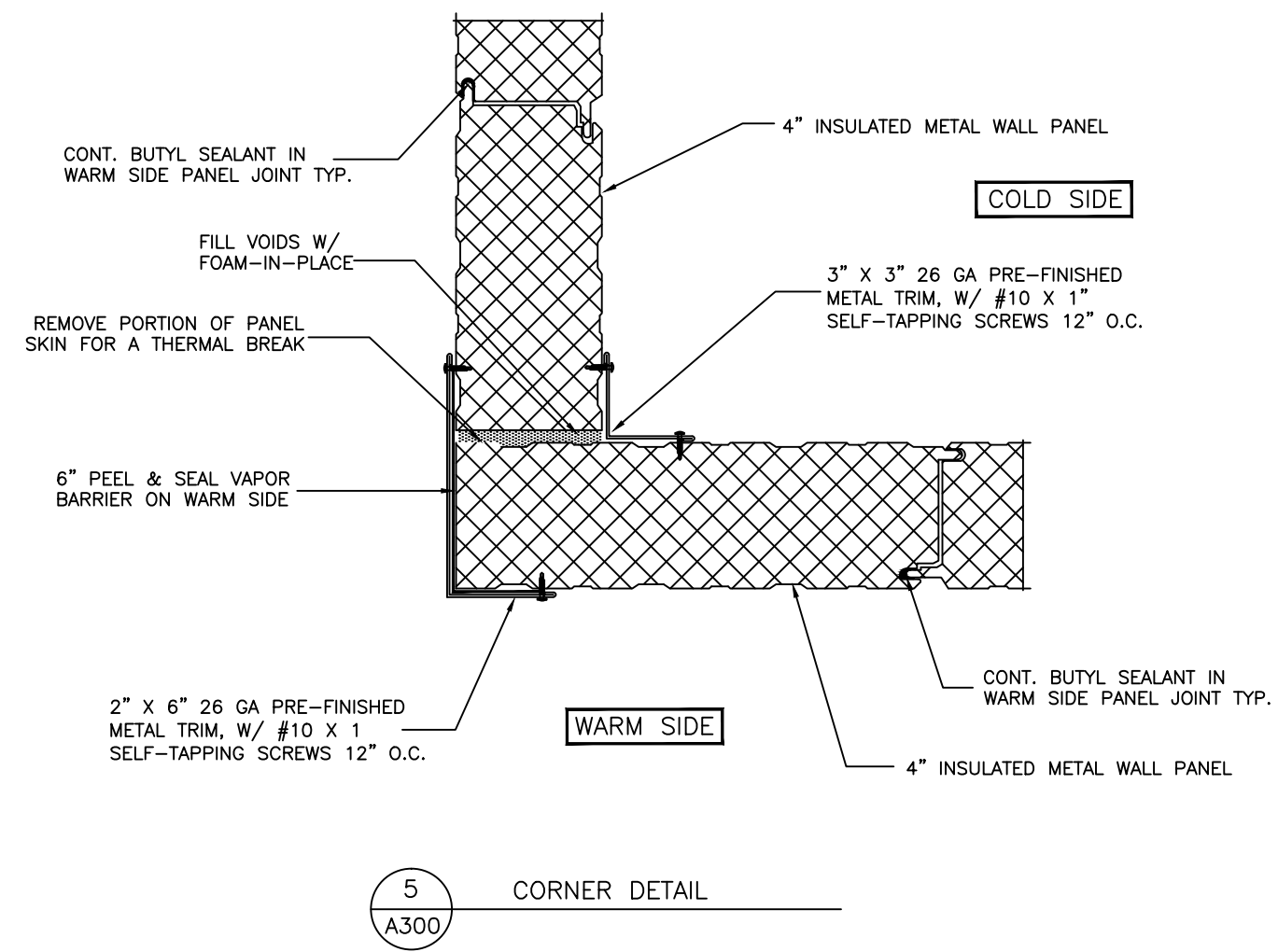
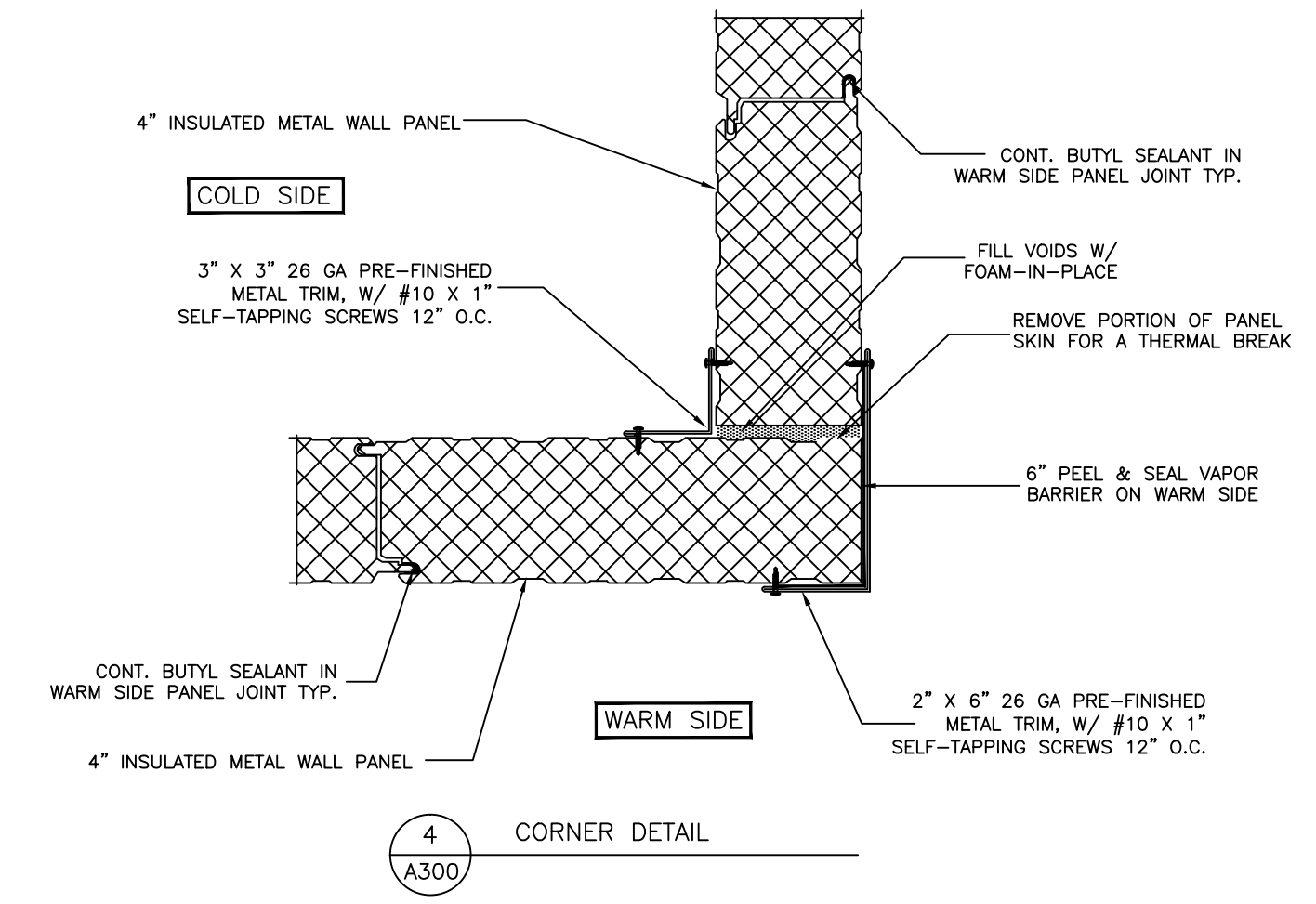
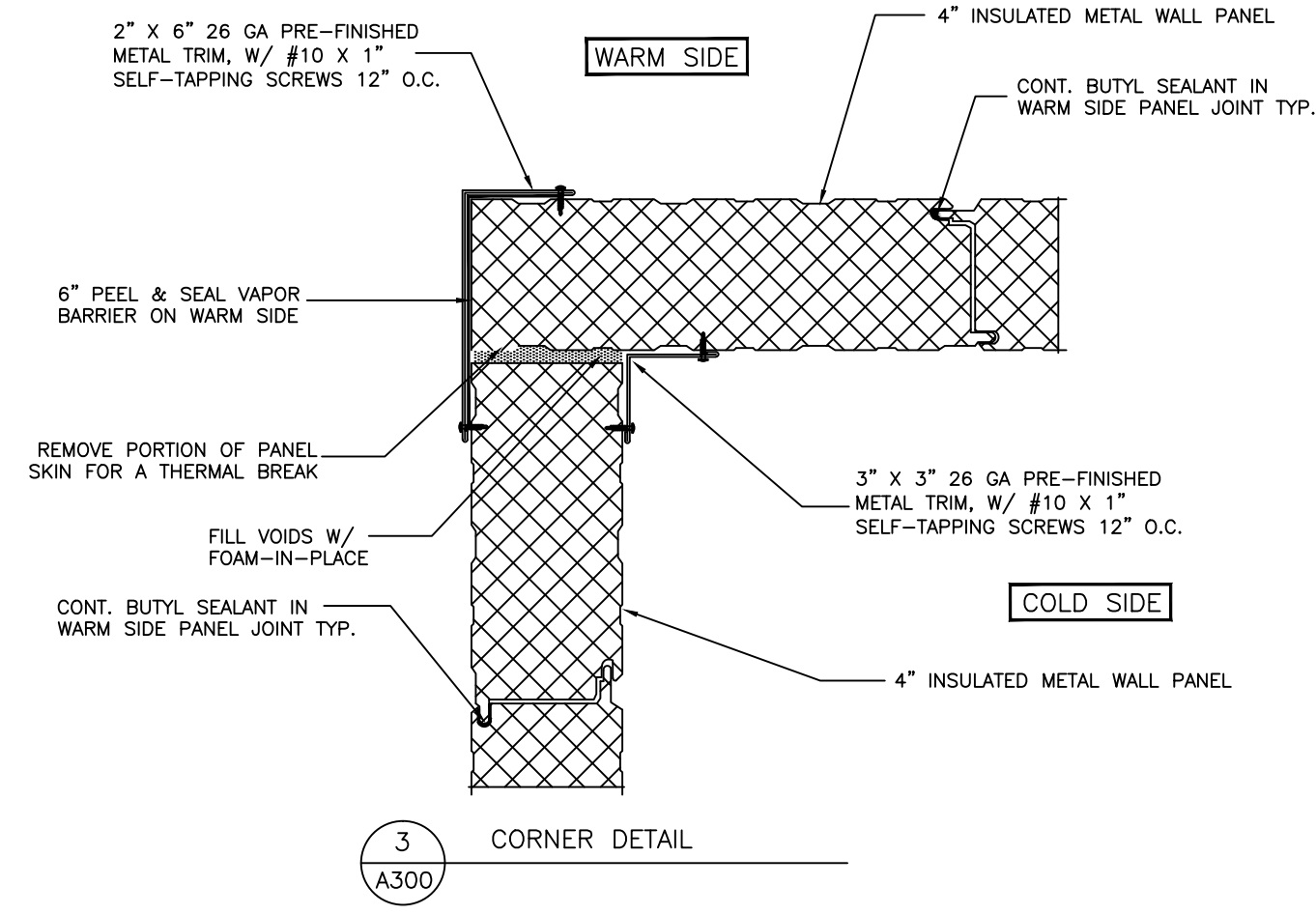
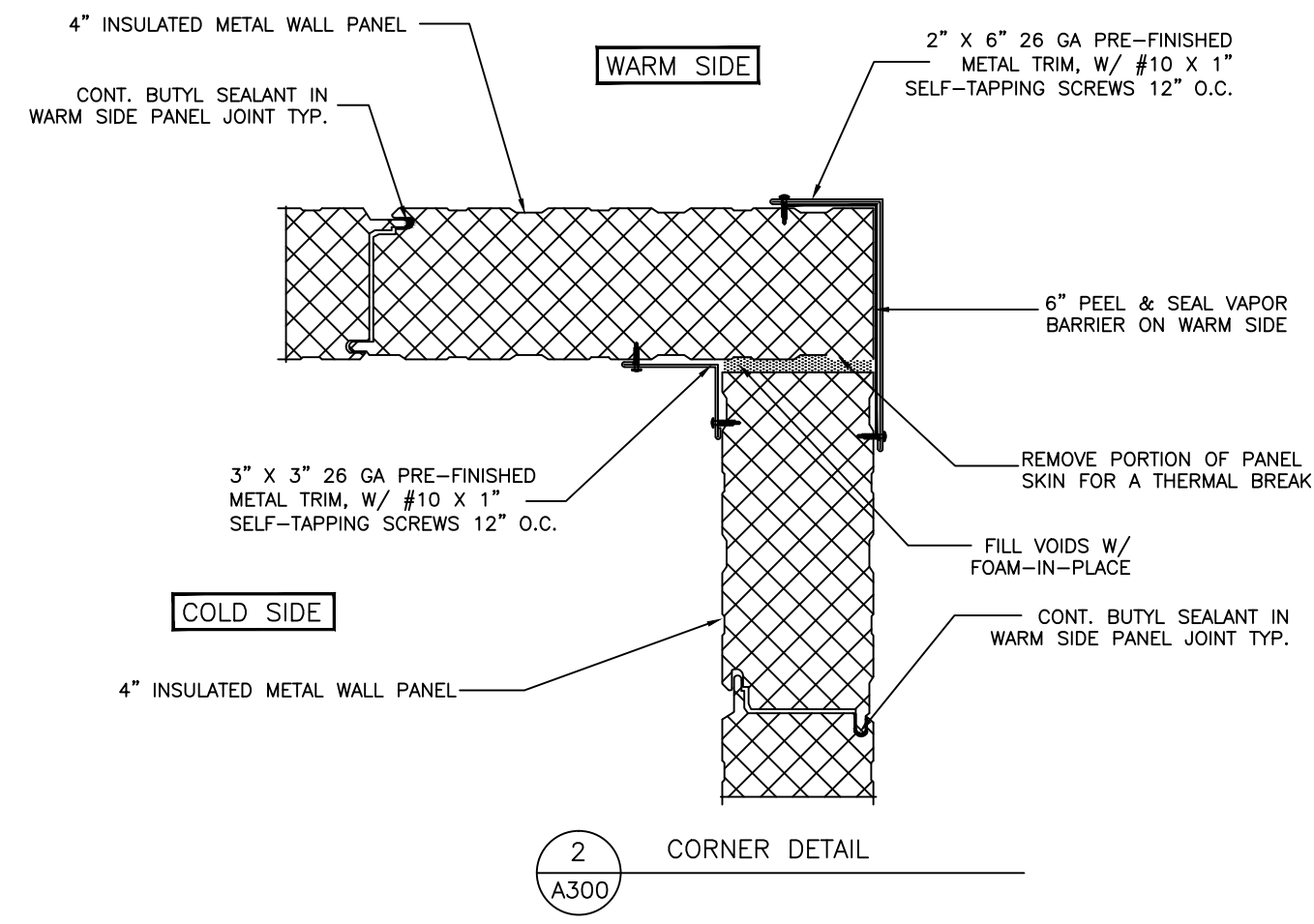
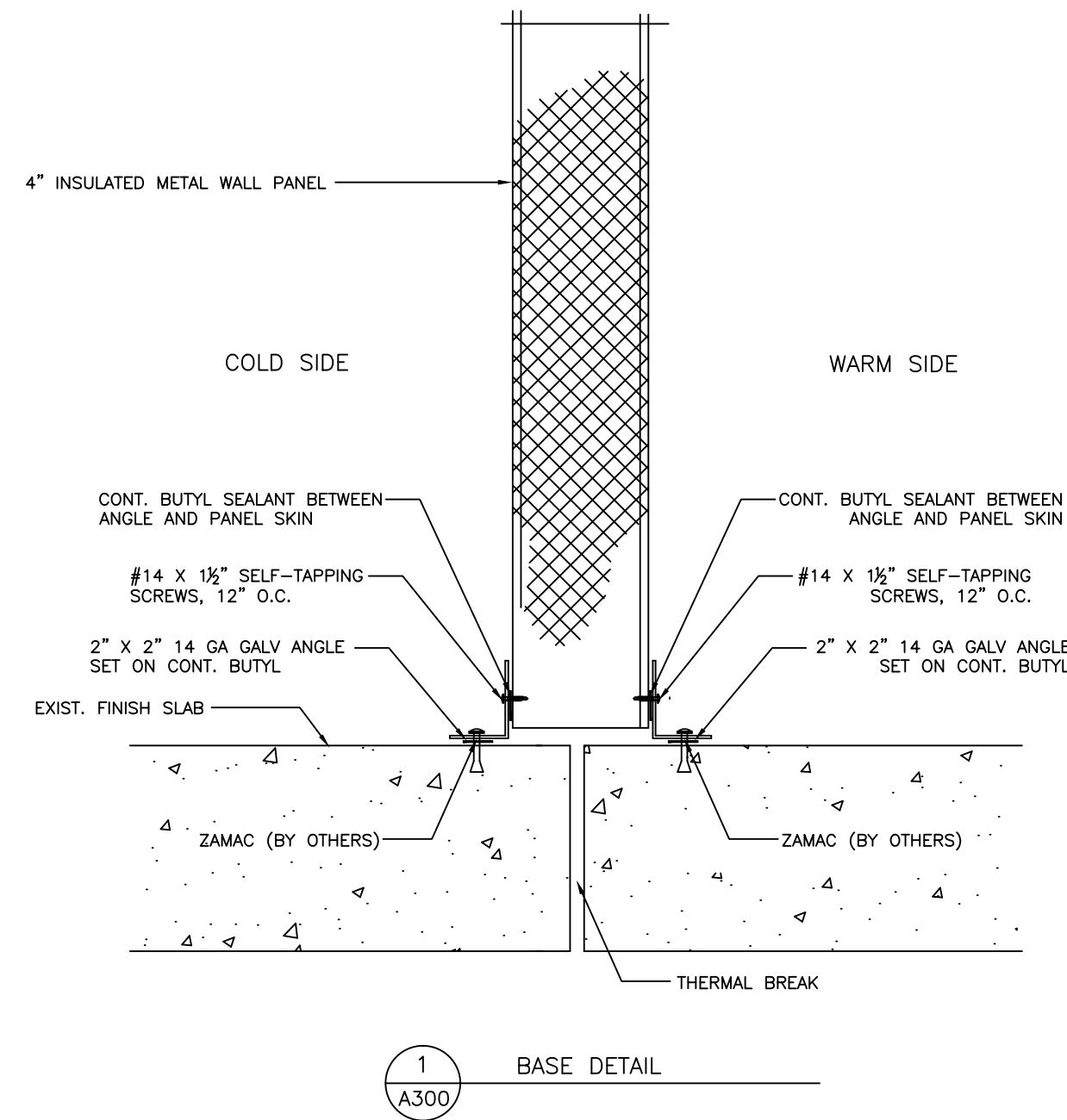
WALL ELEVATIONS

DR. BY: KRZ
DATE: 8/30/2016
SCALE: NTS
CHECKED BY:
SHEET NO. A200



PANEL SCHEDULE

PANEL DESIG.	PANEL HEIGHT	QTY. OF PANELS	PANEL THICK	PANEL SERIES	PANEL COLOR
W-1	12'-0"	50	4"	MESALINE	USDA WHITE
C-2	12'-0"	36	4"	MESALINE	USDA WHITE



NO.	REVISION	DATE	BY

Barr Inc.
1423 Planeview Drive
Oshkosh, WI 54904
920-231-1711 Phone

24' x 60' x 12'-4"
Drive-In Cooler

TOLERANCES UNLESS SPECIFIED
FRACTIONAL DECIMAL ANGLE
X/X" ± 1/32" .015 X" ± 0.30"
.XX ± .005 X'X' ± 0.05'
.XXXX ± .001

Draftsman is not responsible for panel heights, quantities and/or dimensions. Contractor to verify all information.

WALL DETAILS

DR. BY: KRZ
DATE: 8/30/2016
SCALE: NTS
CHECKED BY:
SHEET NO. A300