

Barr Inc.
 1423 Planeview Drive
 Oshkosh, WI 54904
 920-231-1711 Phone

20' x 20' x 12'-5"
 Drive-In Freezer

DRAWING INDEX

- T.1 TITLE SHEET
- A100 FLOOR/CEILING PLAN
- A200 INSULATED WALL PANEL ELEVATIONS
- A300 INSULATED WALL PANEL DETAILS

REVISION	BY	DATE

Barr Inc.
 1423 Planeview Drive
 Oshkosh, WI 54904
 920-231-1711 Phone

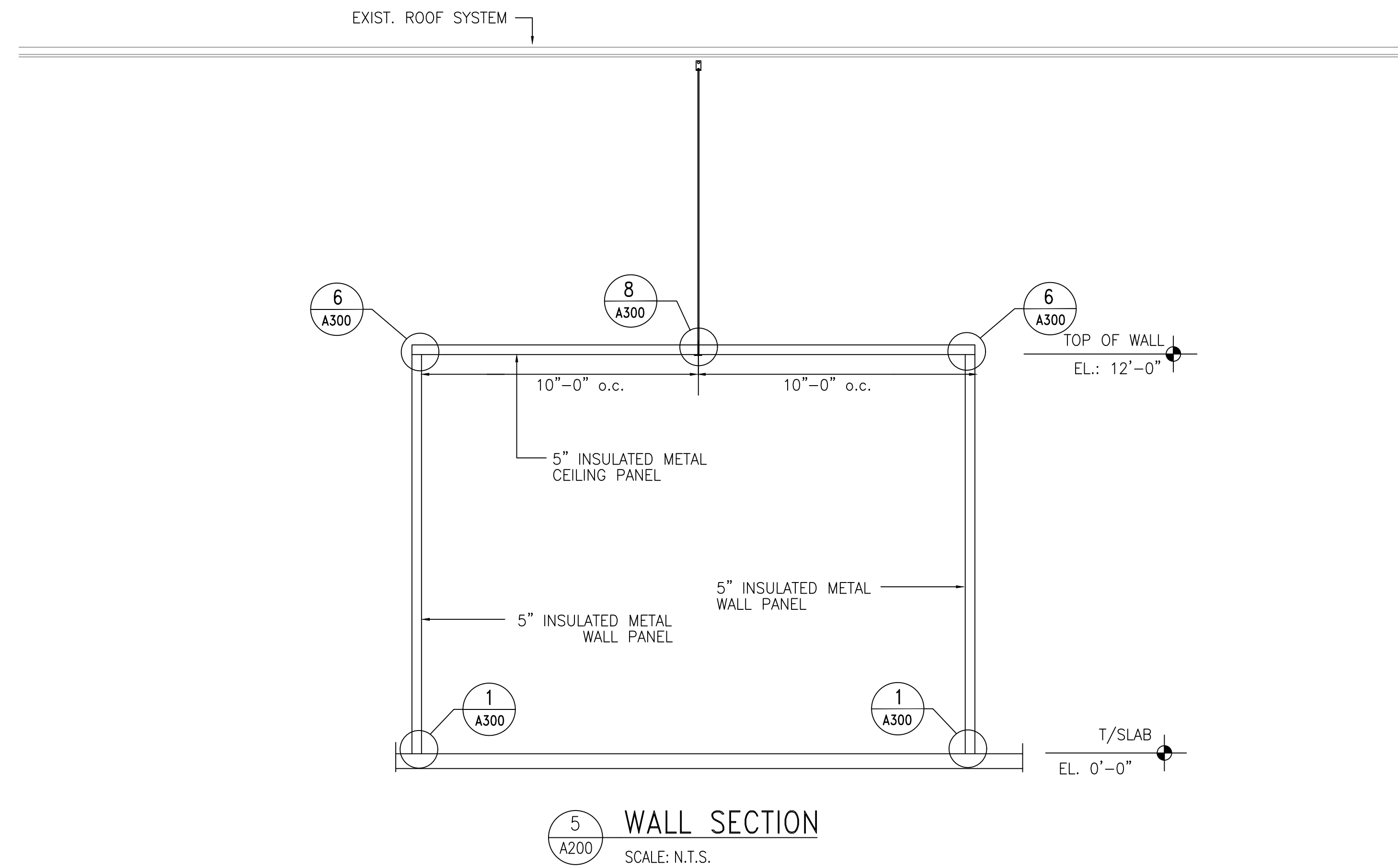
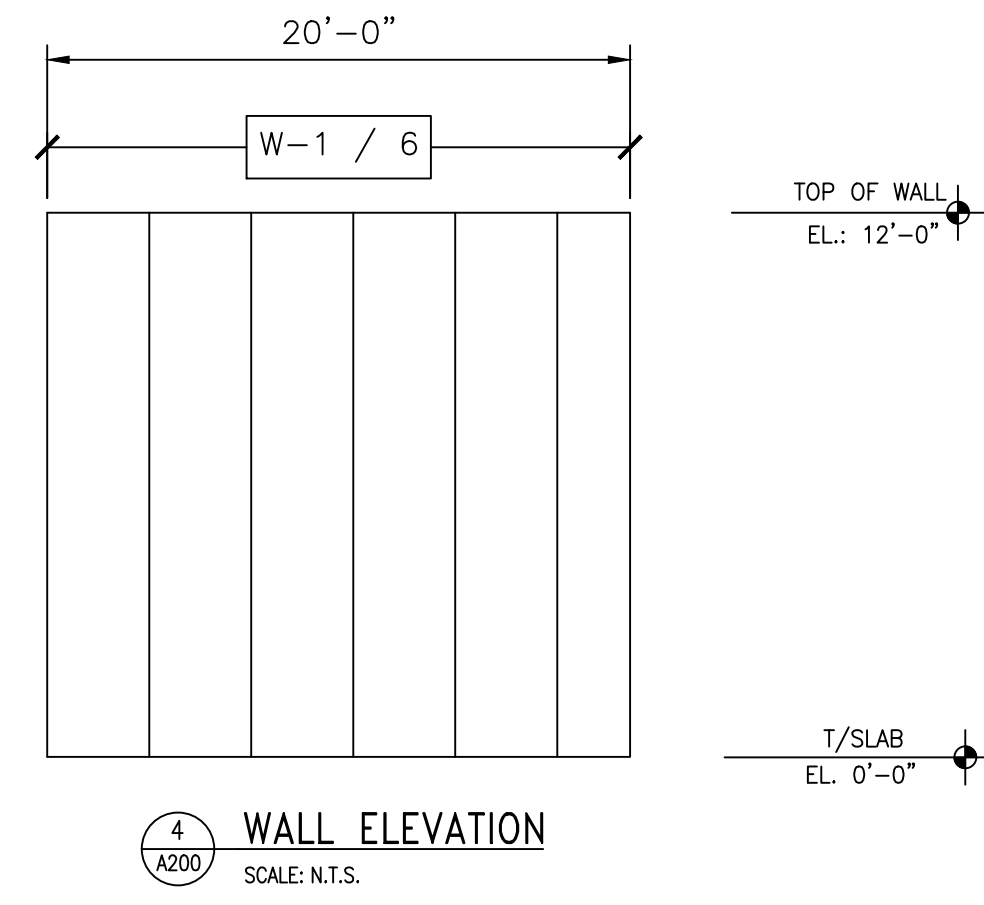
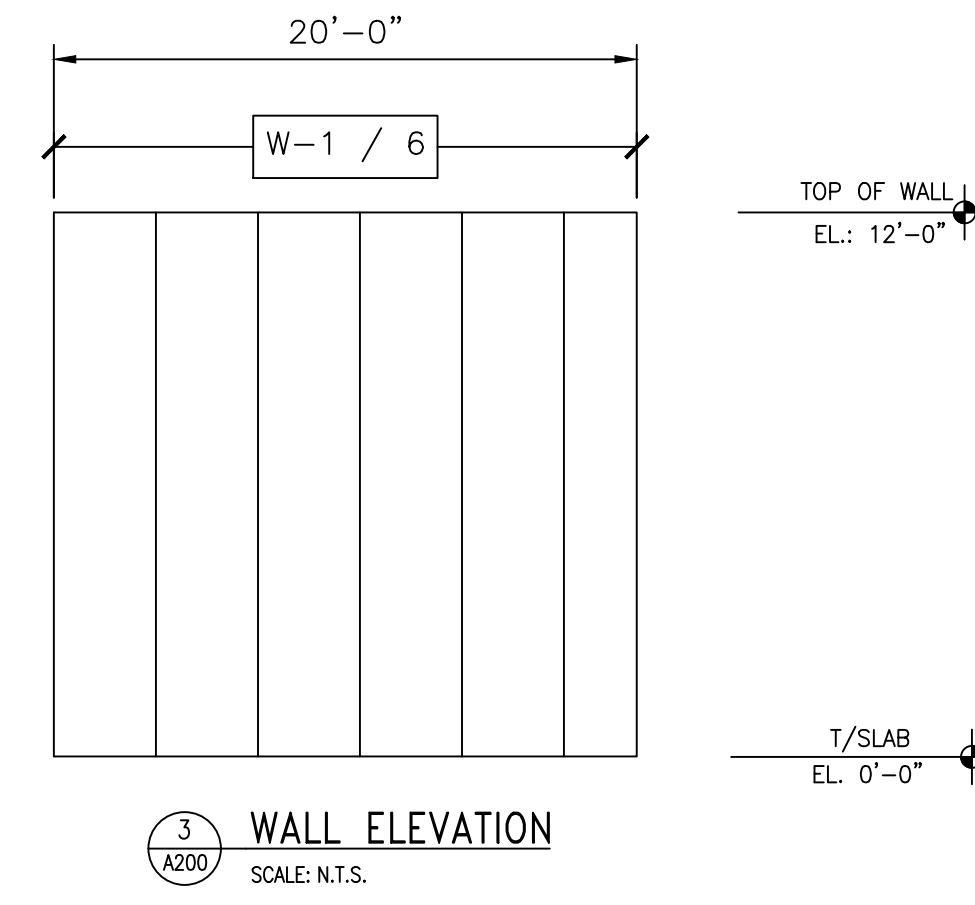
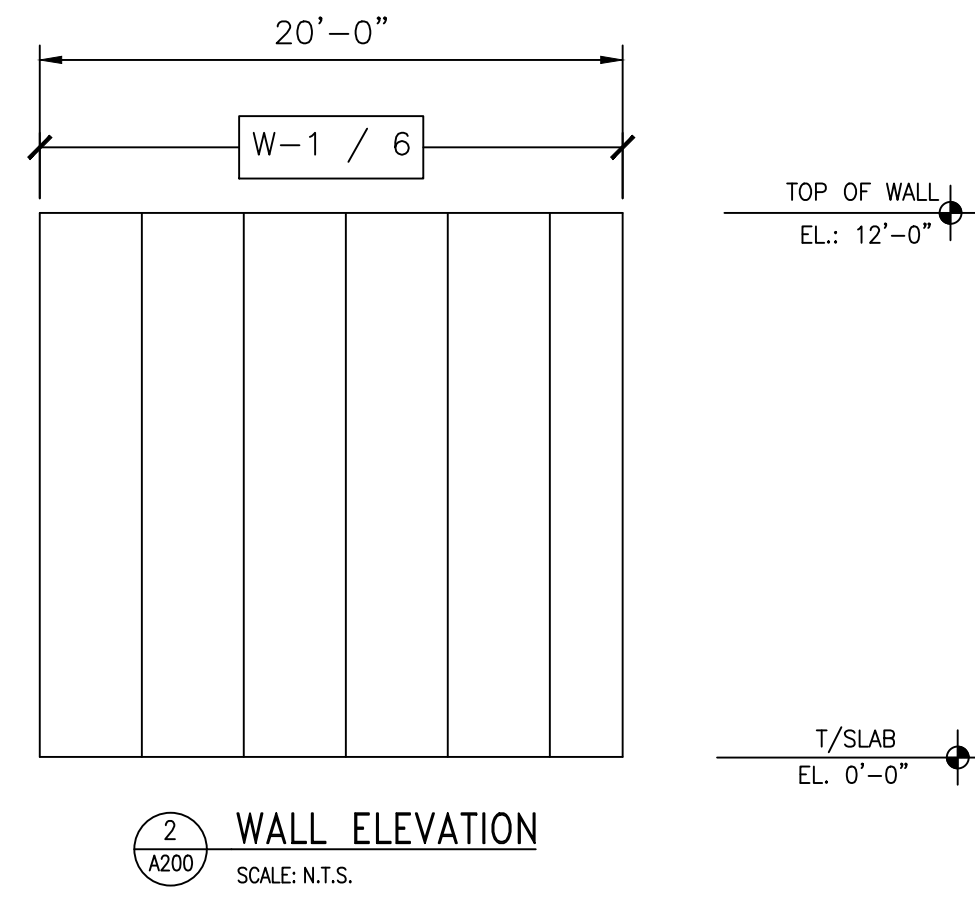
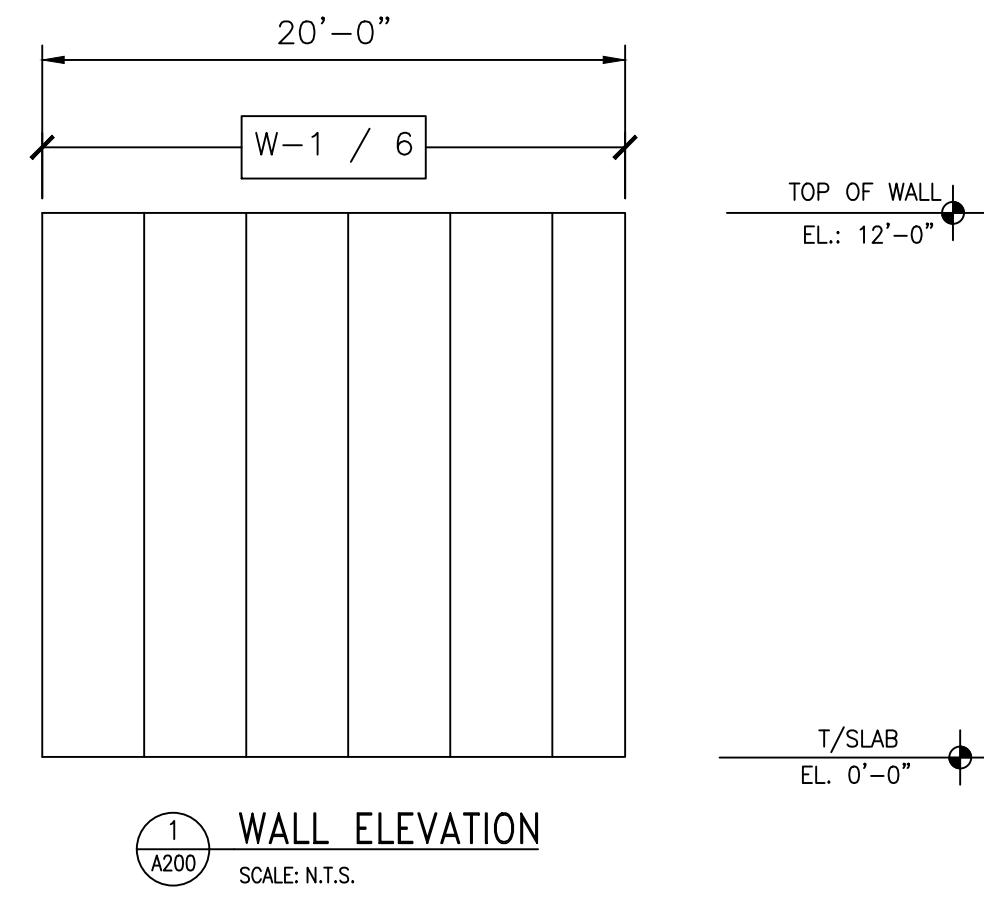
20' x 20' x 12'-5"
 Drive-In Freezer

TOLERANCES UNLESS SPECIFIED
 FRACTIONAL DECIMAL ANGLE
 X/16" ± 1/32" .XX ± .015 X" ± 0'30"
 .XXX ± .005 X'XX' ± 0'05"
 .XXXX ± .001

Draftsmen is not responsible for panel heights, wall dimensions. Contractor to verify all information.

TITLE

DR.BY: KRZ
 DATE: 8/1/2023
 SCALE: NTS
 CHECKED BY:
 SHEET NO.
 T.1



PANEL SCHEDULE

PANEL DESIG.	PANEL HEIGHT	QTY OF PANELS	PANEL THICK	PANEL SERIES	PANEL COLOR
W-1	12'-0"	24	5"	MESALINE	USDA WHITE
C-2	20'-0"	6	5"	MESALINE	USDA WHITE

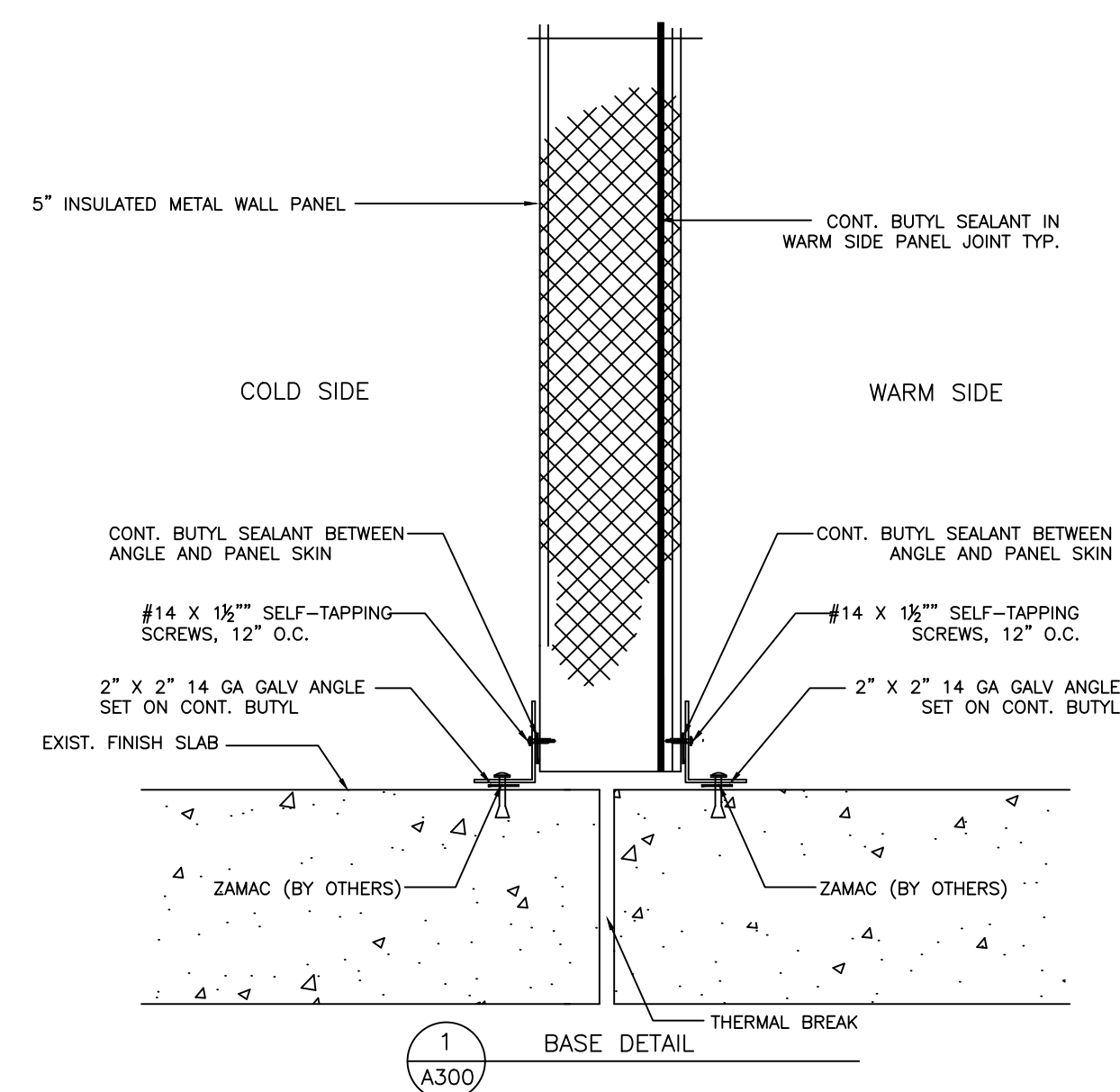
NO.	REVISION	BY	DATE

Barr Inc.
1423 Planeview Drive
Oshkosh, WI 54904
920-231-1711 Phone

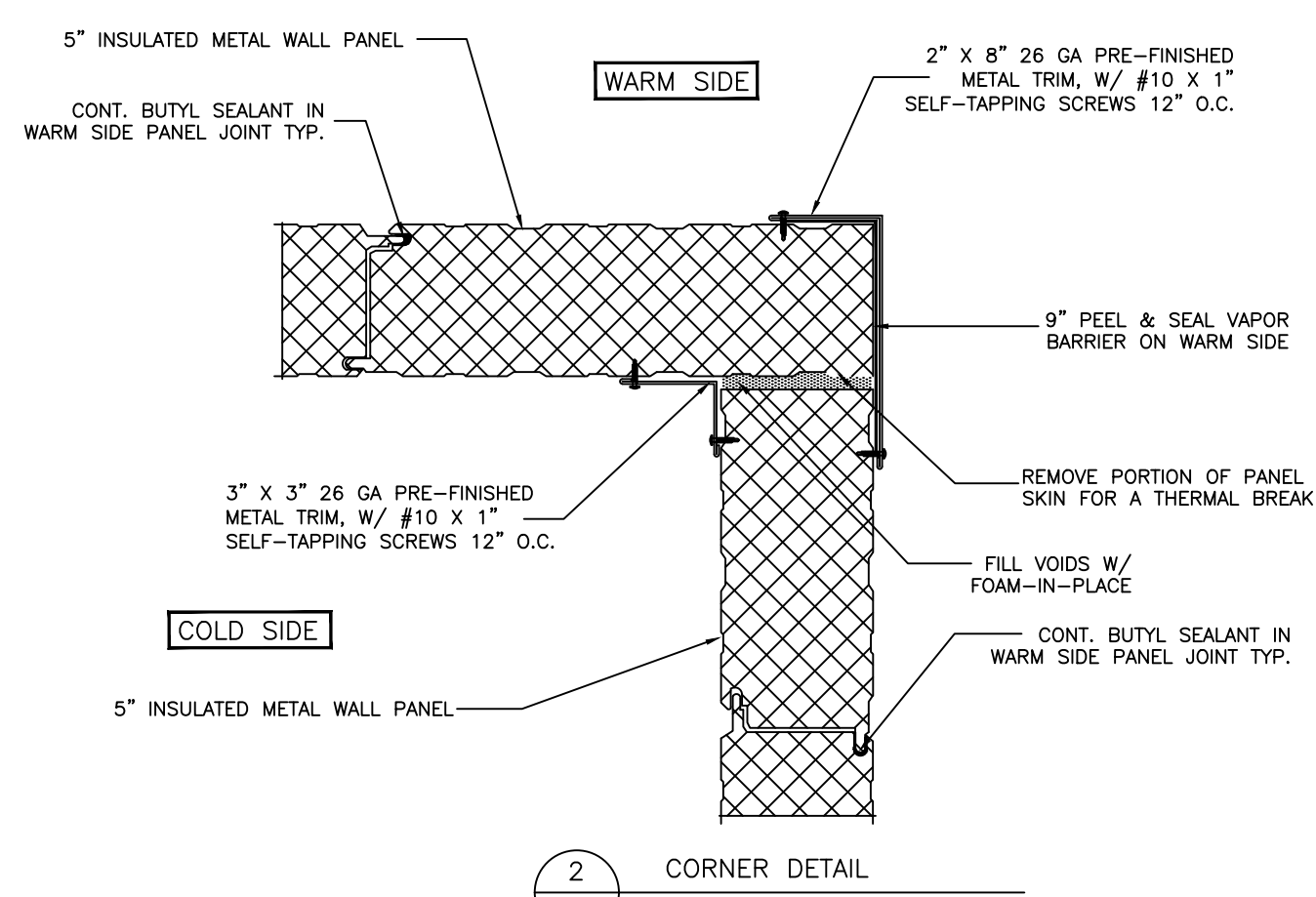
20' x 20' x 12'-5"
Drive-In Freezer

TOLERANCES UNLESS SPECIFIED
FRACTIONAL X/X" ± 1/32"
DECIMAL .XX ± .015
".XXX ± .005
".XXXX ± .001
ANGLE X° ± 0'30"
"XXX ± 0'05"
".XXXX ± .001
Draftsmen is not responsible for panel heights, wall panel dimensions. Contractor to verify all information.

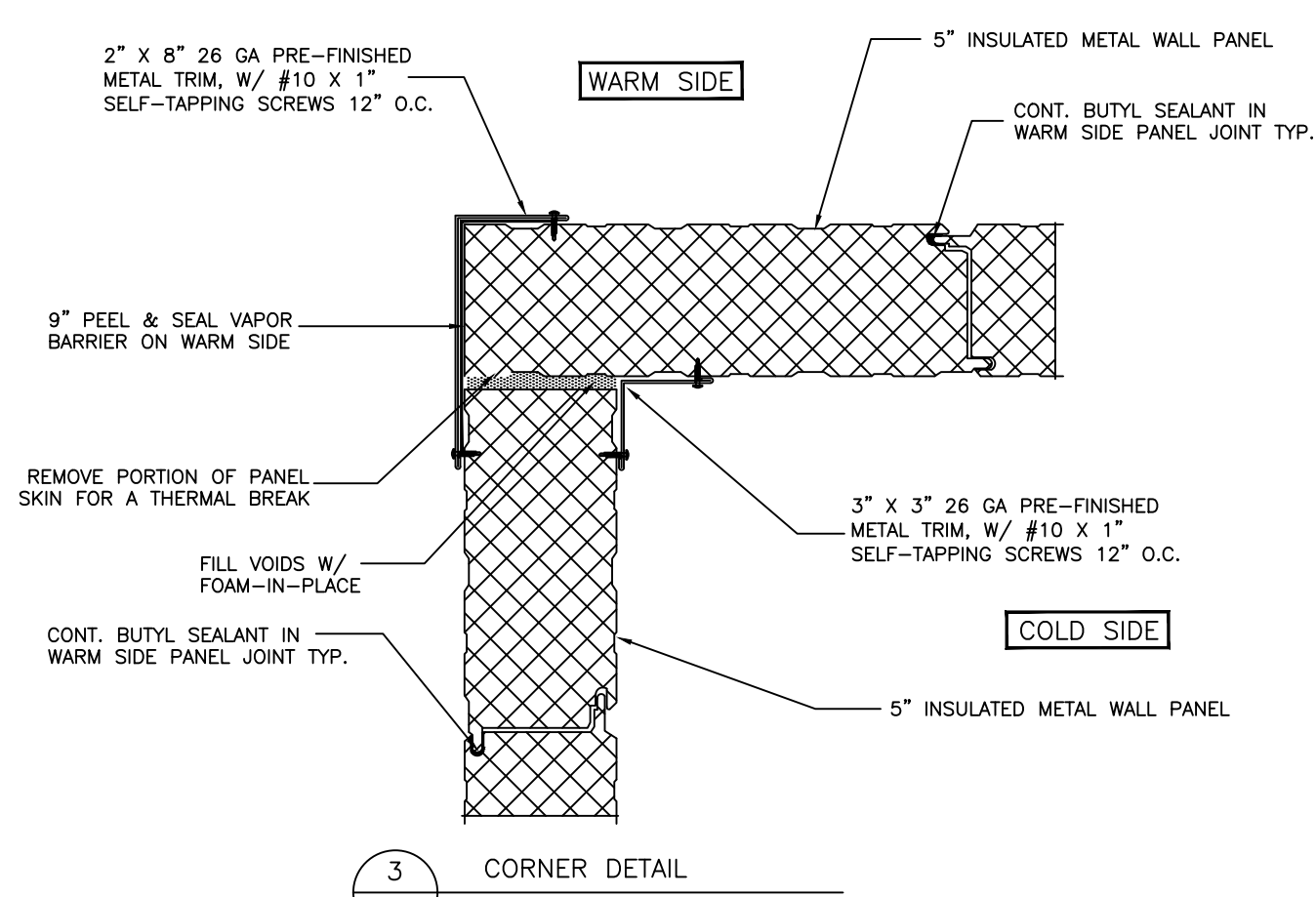
WALL ELEVATIONS	
DR. BY:	KRZ
DATE:	8/1/2023
SCALE:	N.T.S.
CHECKED BY:	
SHEET NO.	A200



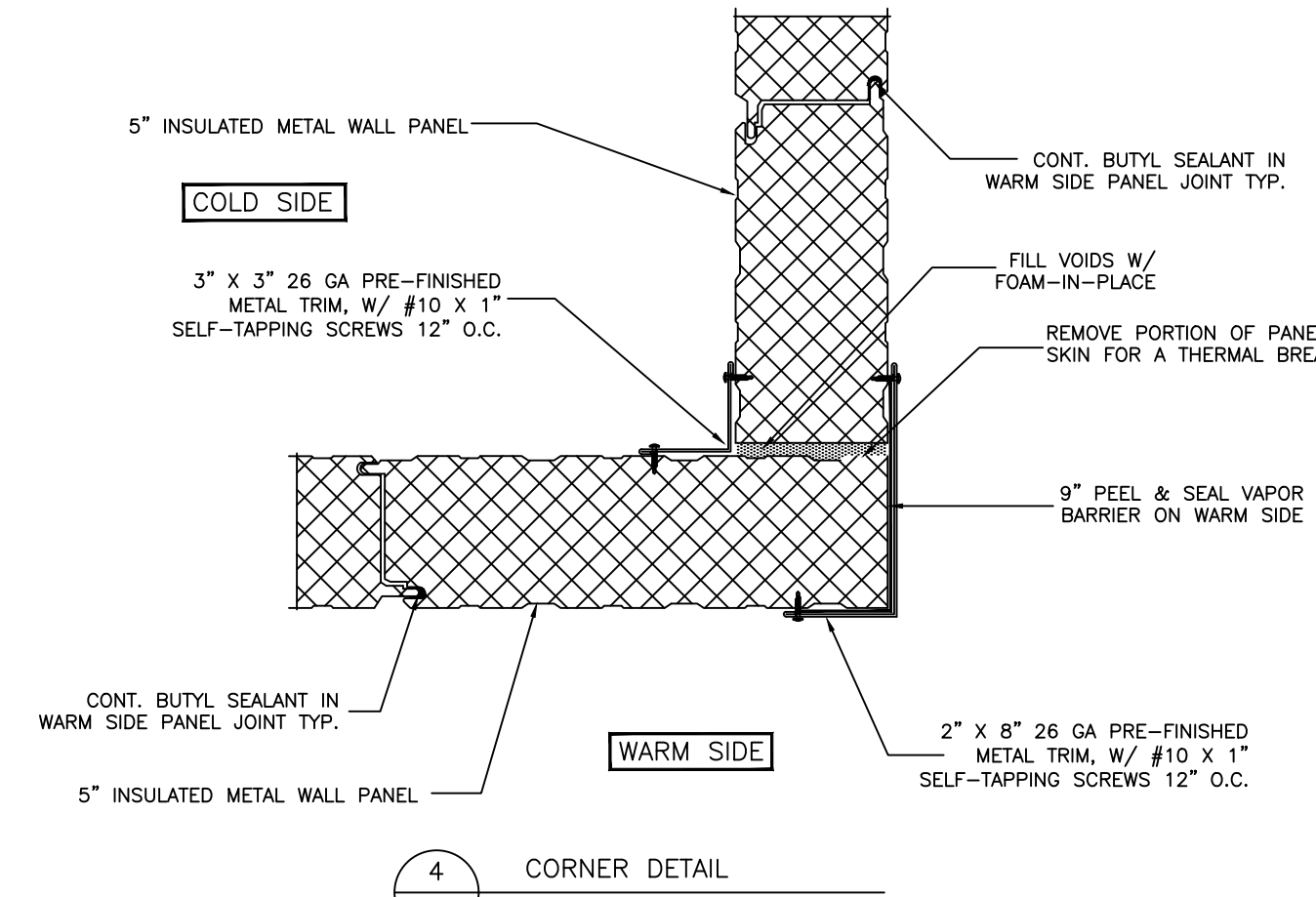
1
A300



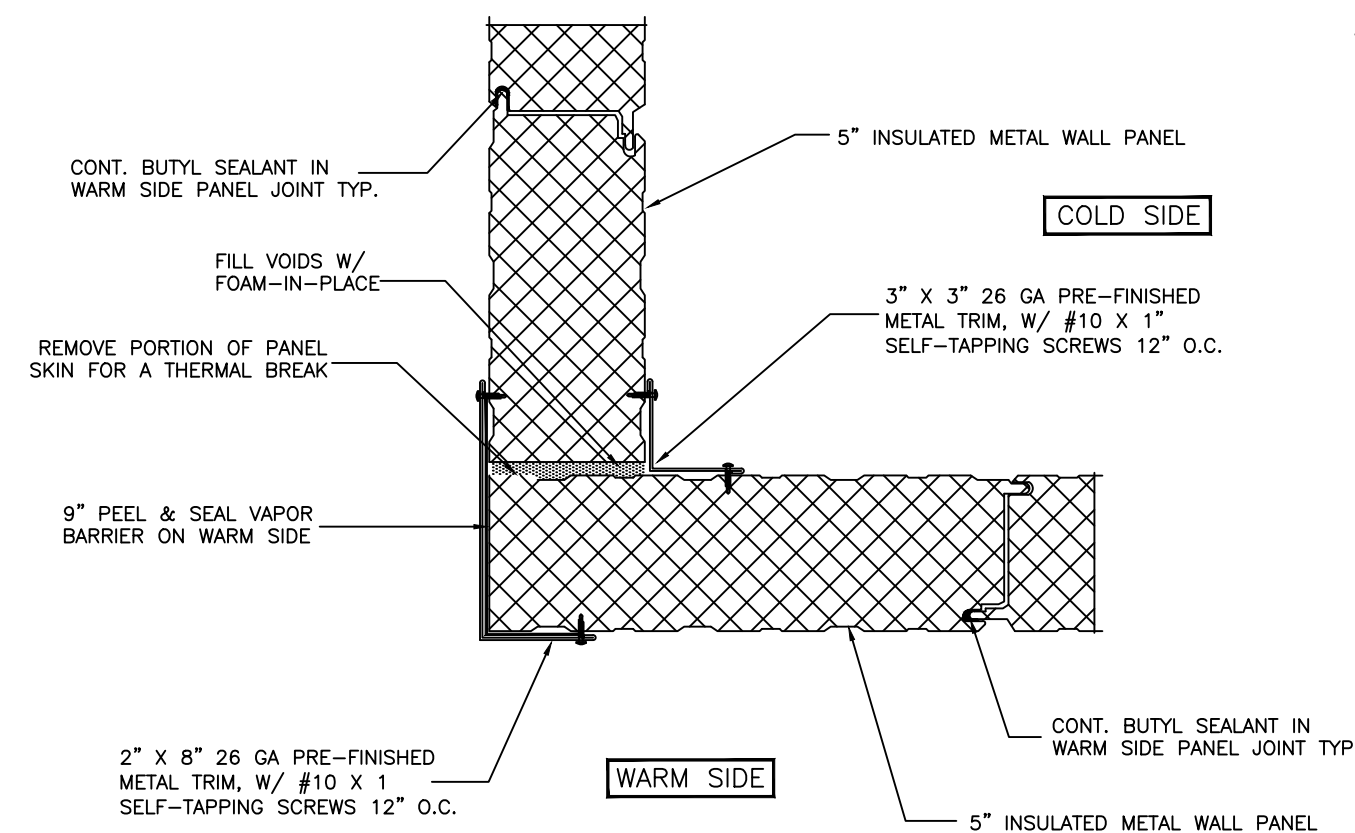
2
A300



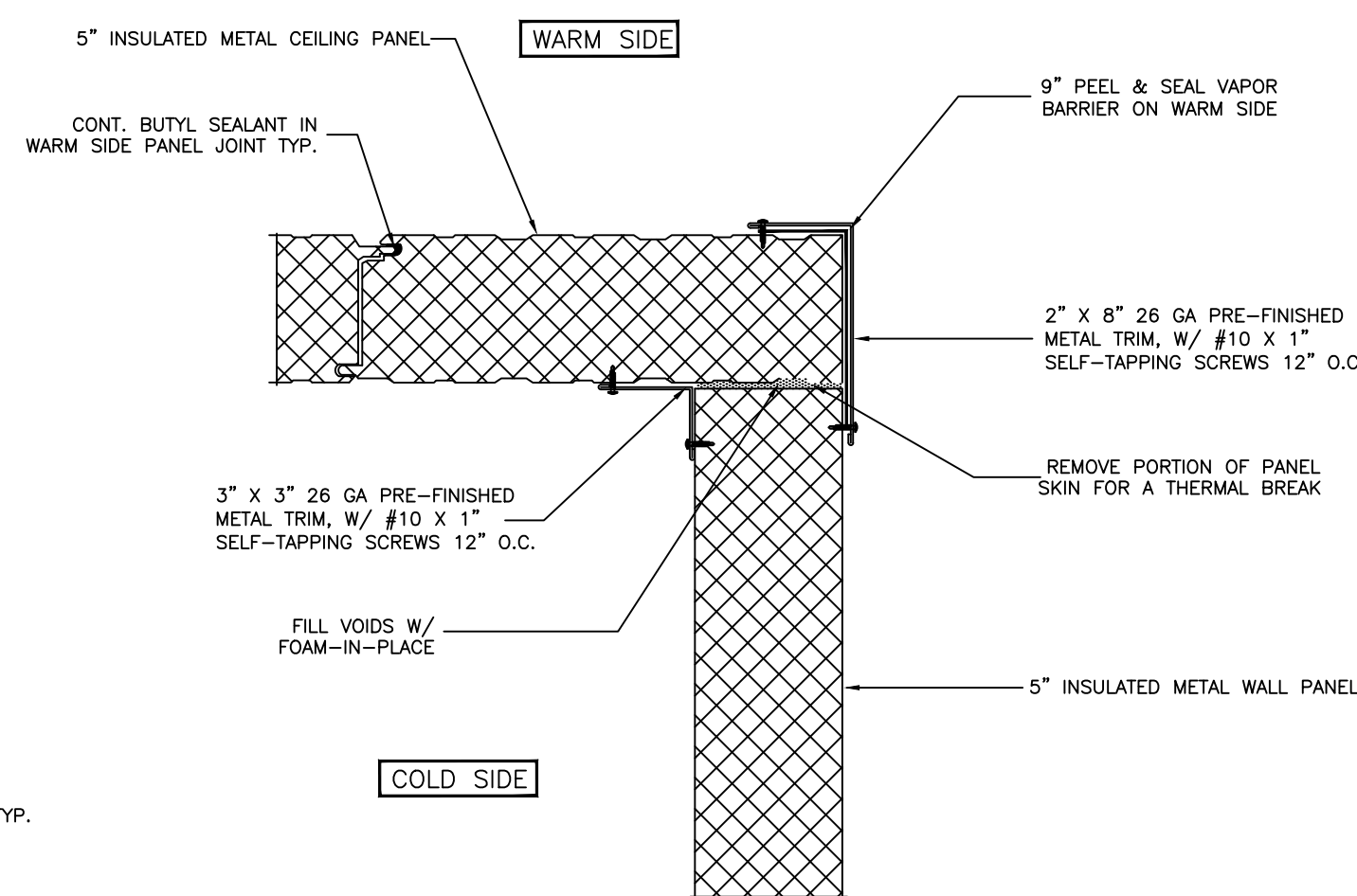
3
A300



4
A300



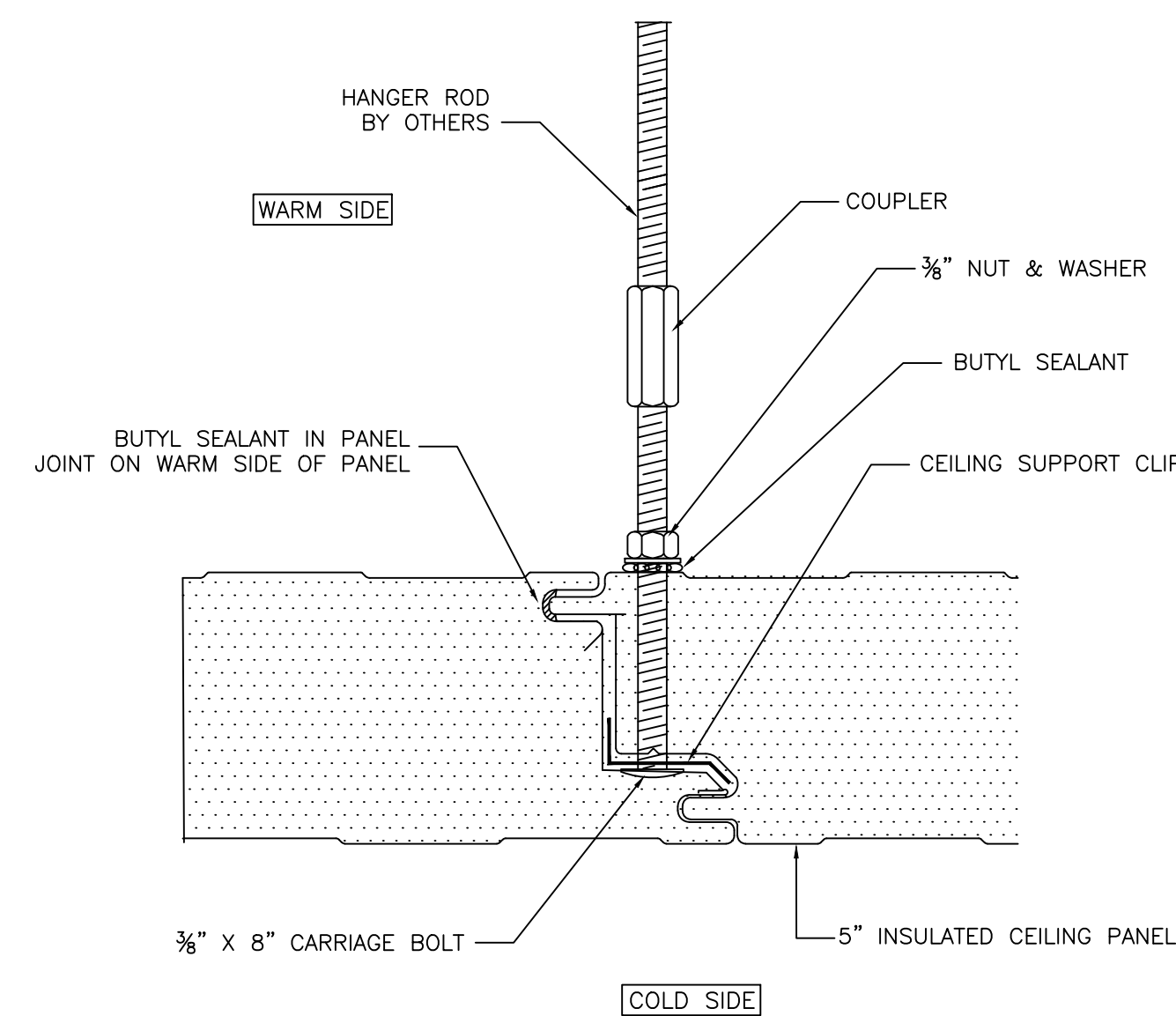
5
A300



6
A300

7
A300

NOT USED



8
A300

INTERMEDIATE CEILING SUPPORT

DATE	
BY	
REVISION	

Barr Inc.
1423 Planeview Drive
Oshkosh, WI 54904
920-231-1711 Phone

20' x 20' x 12'-5"
Drive-In Freezer

TOLERANCES UNLESS SPECIFIED
FRACTIONAL DECIMAL ANGLE
X/X" ± 1/32" .XX ± .015 X" ± 0.30°
.XXX ± .005 X"XX ± .005
.XXXX ± .001

Draftsmen is not responsible for panel heights,
widths or dimensions. Contractor to
verify all information.

WALL DETAILS

DR.BY: KRZ
DATE: 8/1/2023
SCALE: NTS
CHECKED BY:
SHEET NO. A300